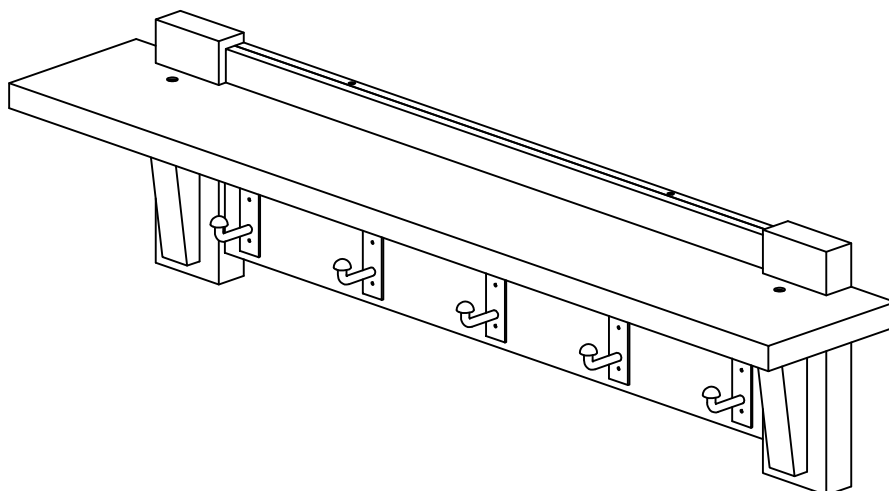


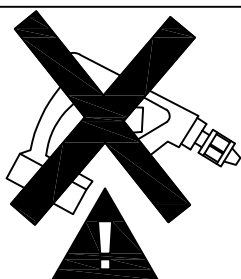
ASSEMBLY INSTRUCTION

HOOK SHELF

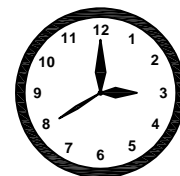
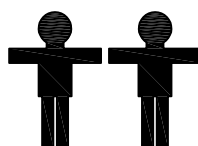


REPLACEMENT PARTS

Please do not contact the company purchased from as we can help you faster.
Order replacement parts and hardware at our website.

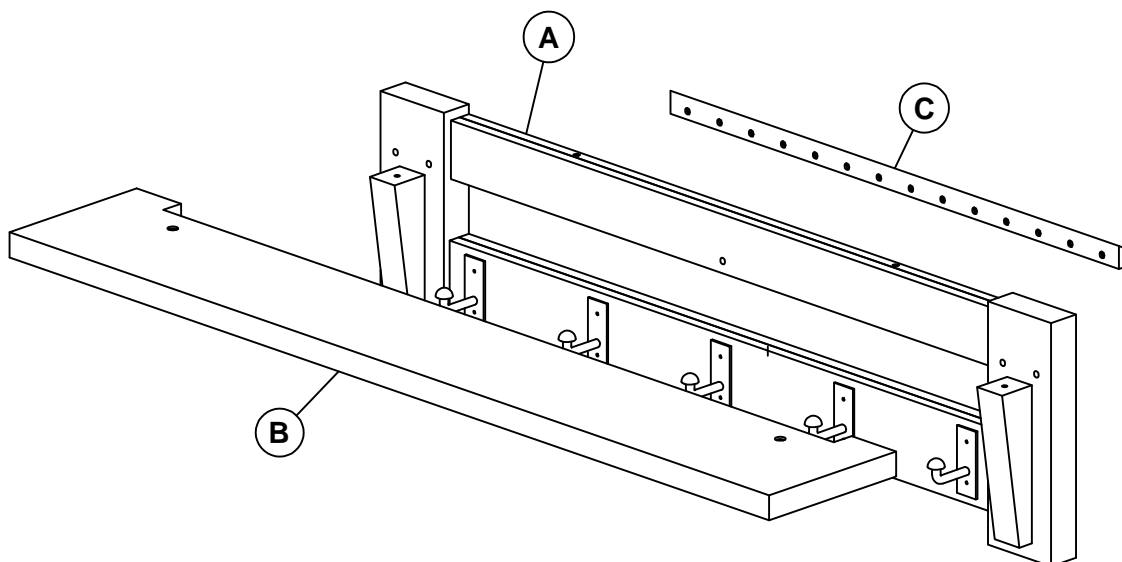


- . Use of power tool to assemble this product will invalidate any claim and damage this product making it unsafe !!!
- . Please assemble on a clean soft surface to avoid damage.

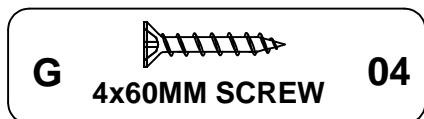
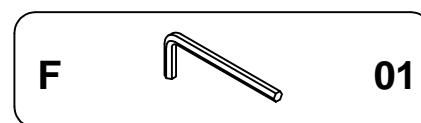
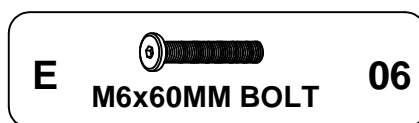
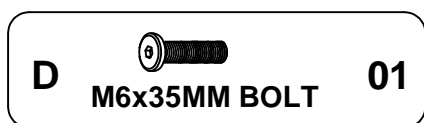


30 minutes


Part list- Hook Shelf




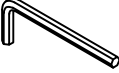
Identifying the hardware-Identify the hardware using the illustrations below

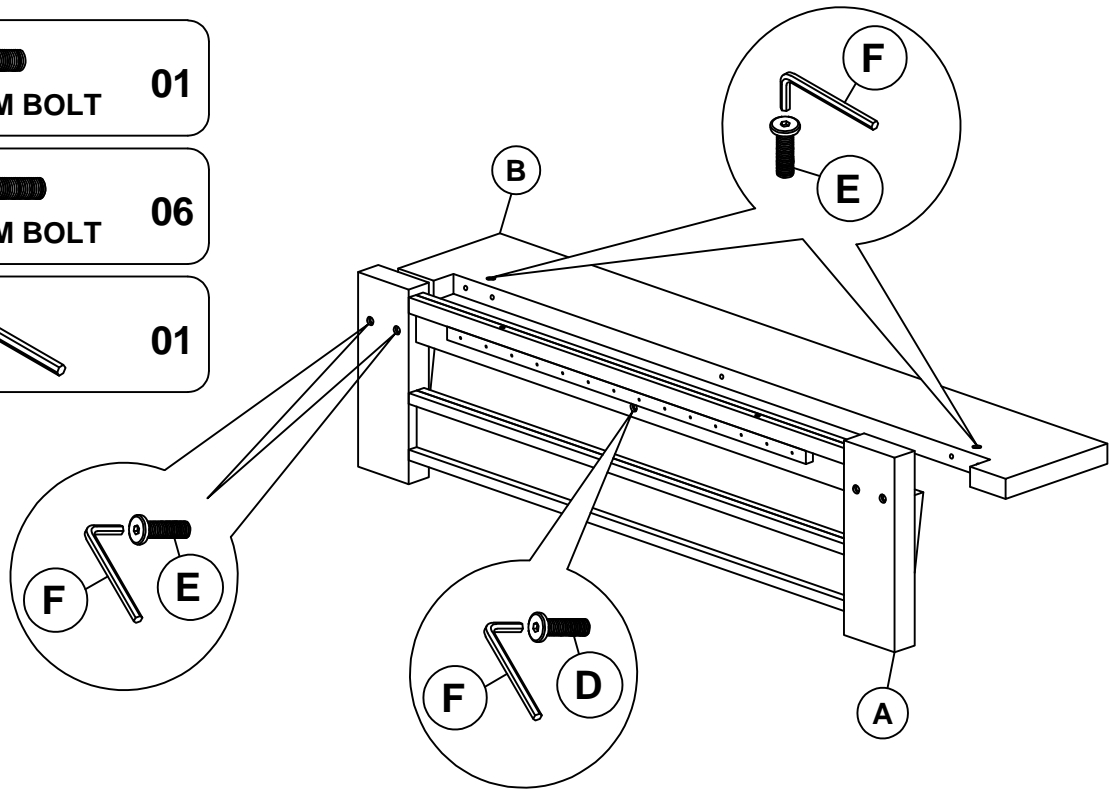


Step 01

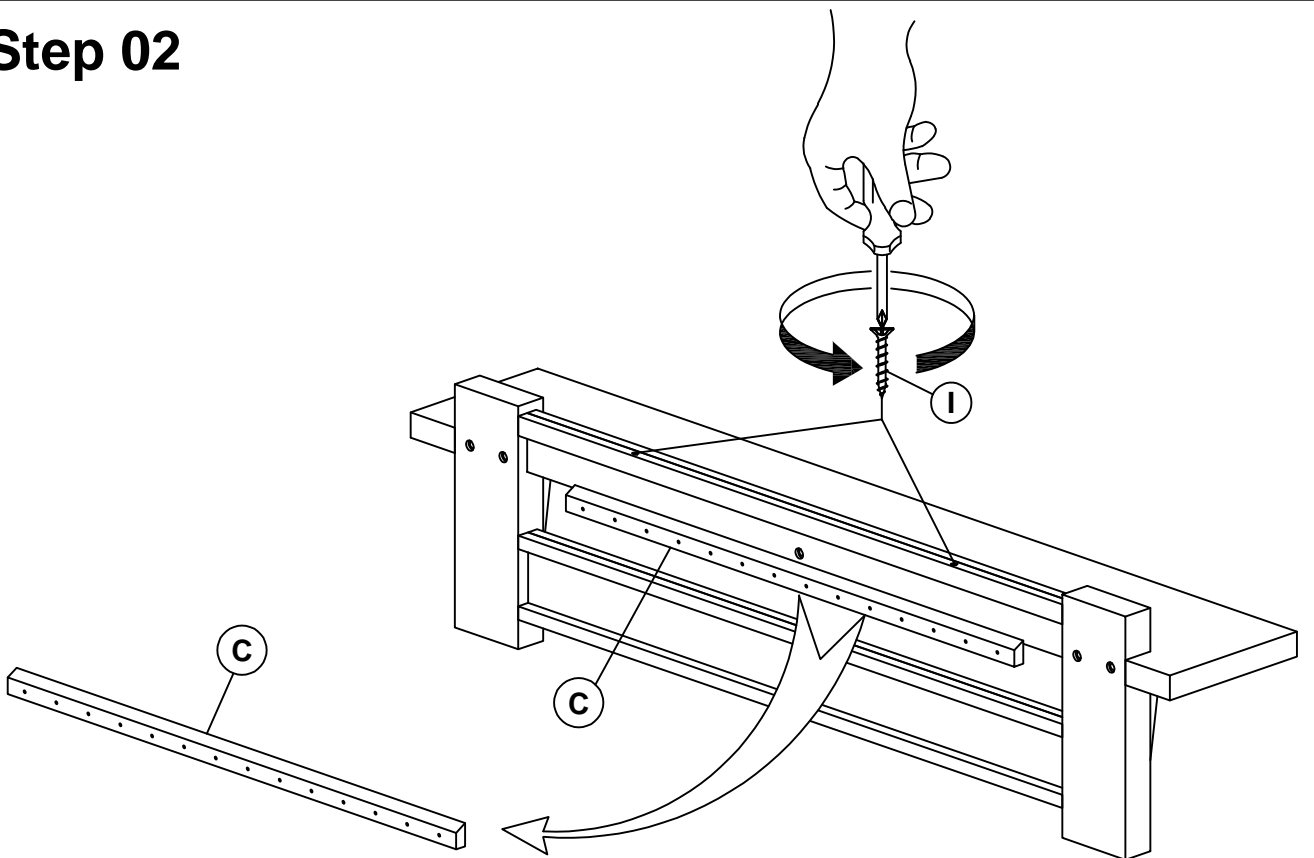
D  **01**
M6x35MM BOLT

E  **06**
M6x60MM BOLT

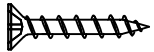
F  **01**



Step 02

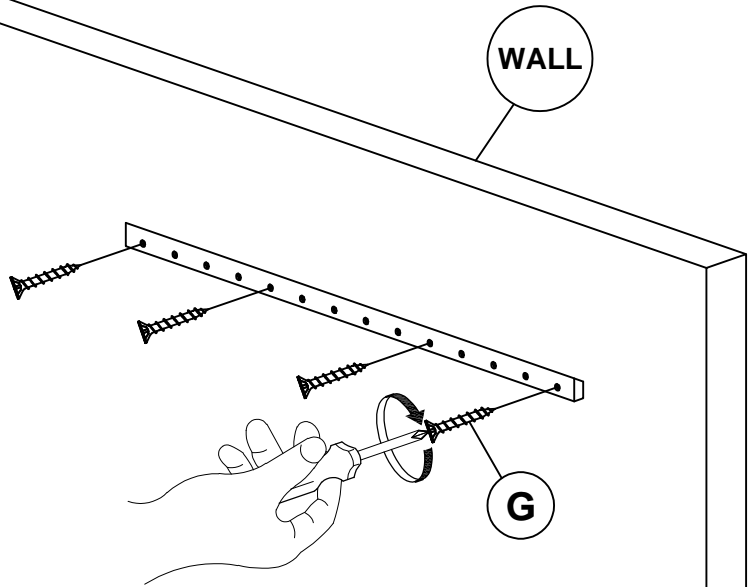


Step 03

G  **04**
4x60MM SCREW

H  **04**
DRYWALL EZ ANCHOR

For the best results, secure cleat to stud in wall. If you are not able to secure cleat to stud in wall, use EZ Anchors.



Step 04

