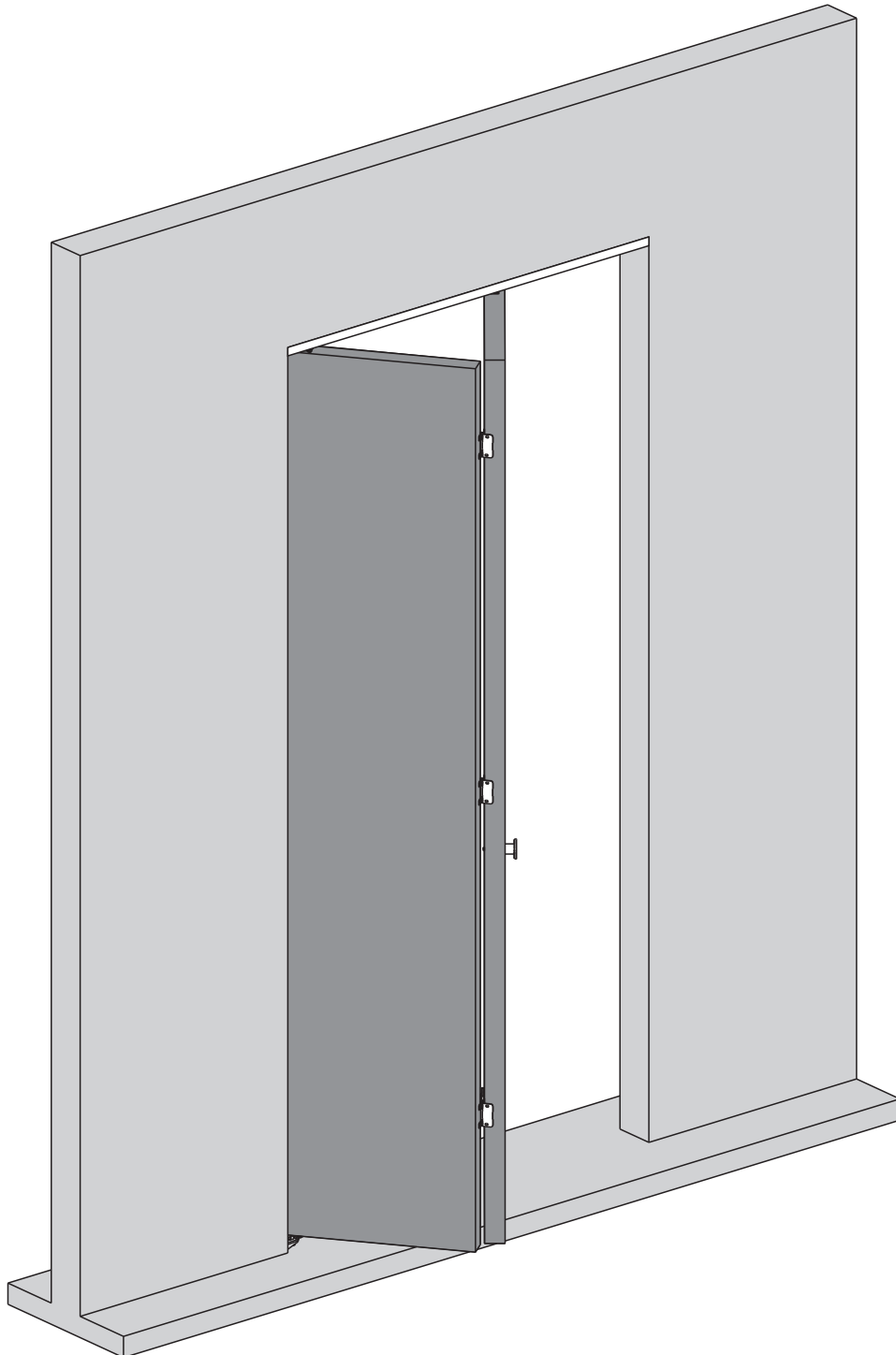
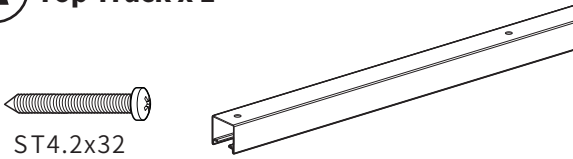


INTERIOR DOOR ASSEMBLY GUIDE



Hardware

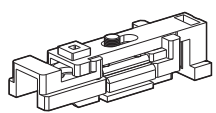
A Top Track x 1



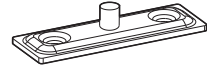
ST4.2x32

Track Length	Screw Quantity
23 ¹³ / ₁₆ "	(x4)
27 ²⁷ / ₃₂ "	(x4)
29 ²⁷ / ₃₂ "	(x4)
31 ²⁷ / ₃₂ "	(x5)
35 ⁵³ / ₆₄ "	(x5)

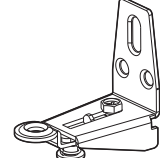
B Track Pivot bracket x 1



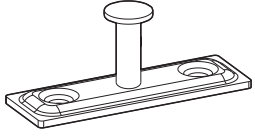
C Bottom fixed door pivot x 1



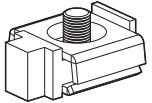
D Bottom fixed bracket x 1



E Fixed door top pivot x 1



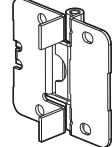
F door stopper x 1



G Active door guide Pivot x 1




H Damping spring hinge x 3



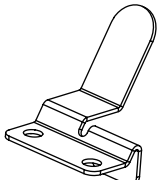
ST4.2x16(x12)
(x3)

I Knob x 1



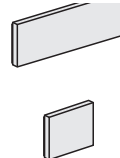
(x1)
ST4.2x32(x1)

J Mount bi-fold panel aligner x 1



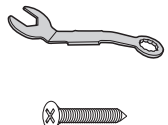
ST4.2x16(x2)

K fascia x 2



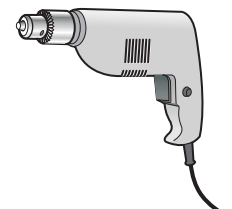
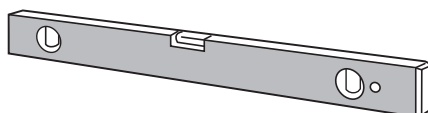
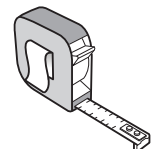
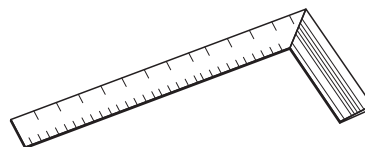
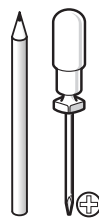
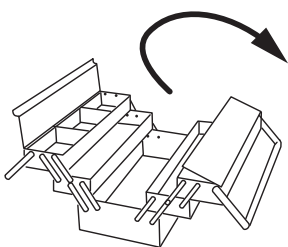
(x1)
(x1)

wrench



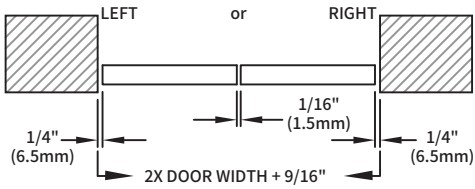
(x1)

Tools required

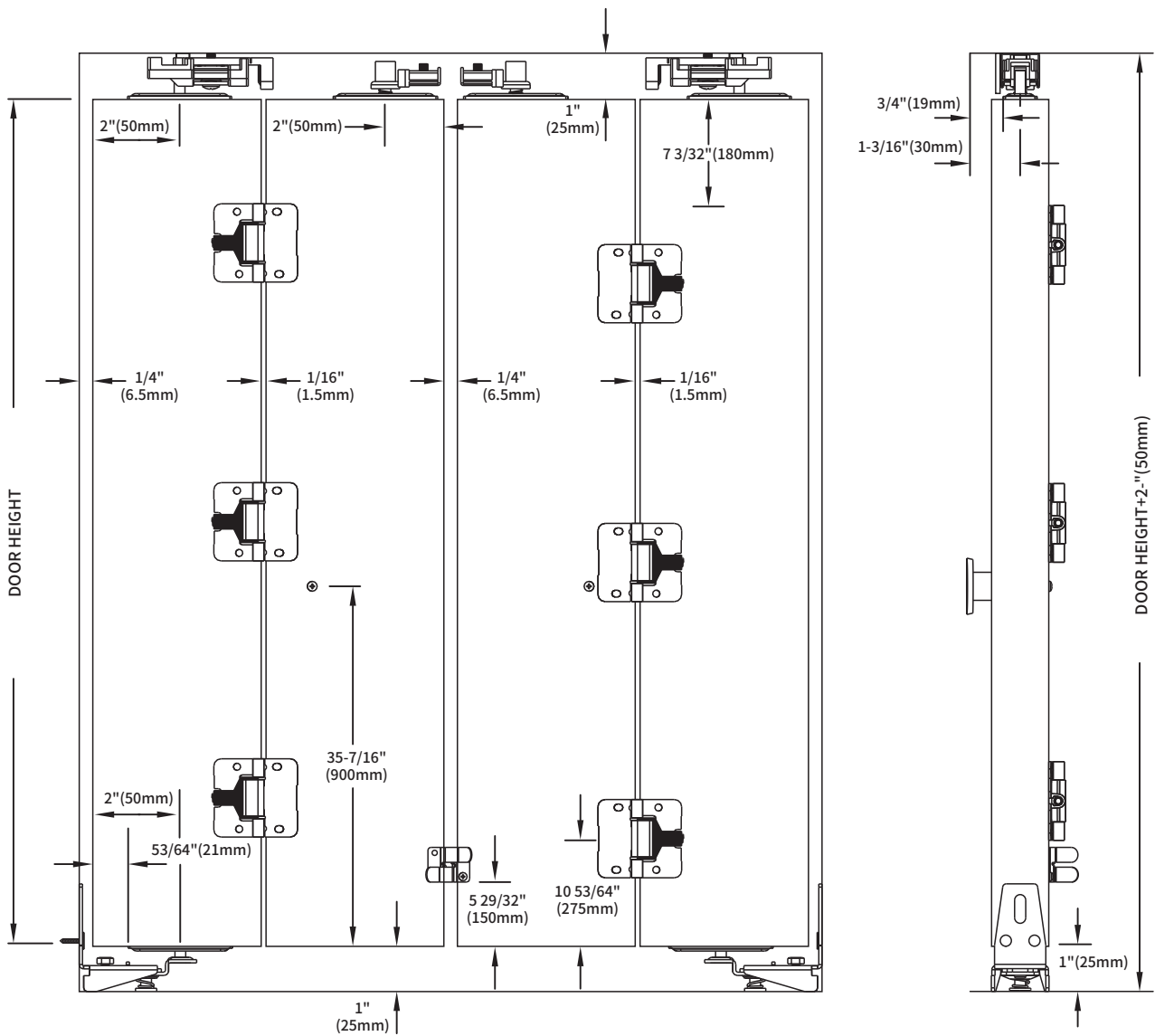
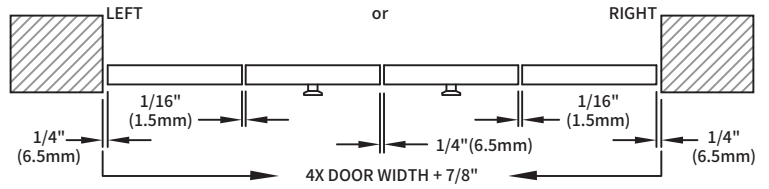


Assembly Notes

2X DOOR



4X DOOR

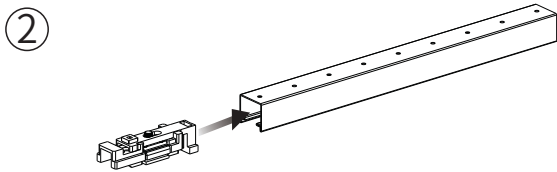
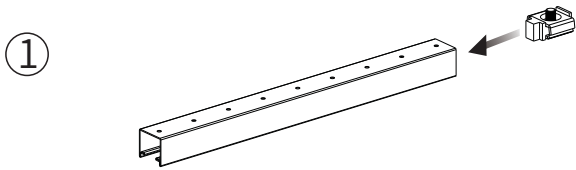


Product Installation

Step 1

Insert the door stopper and pivot bracket to each track.

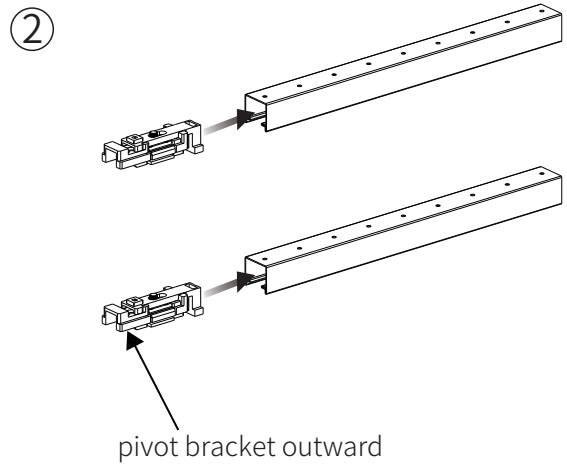
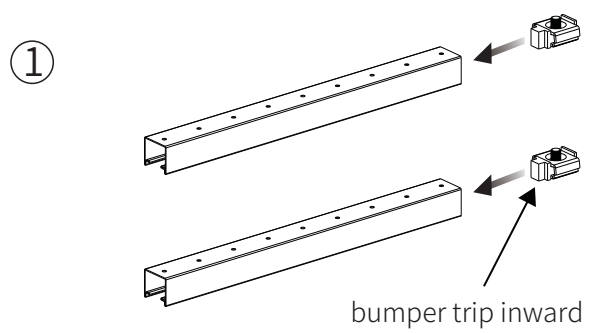
2X DOOR



top view



4X DOOR



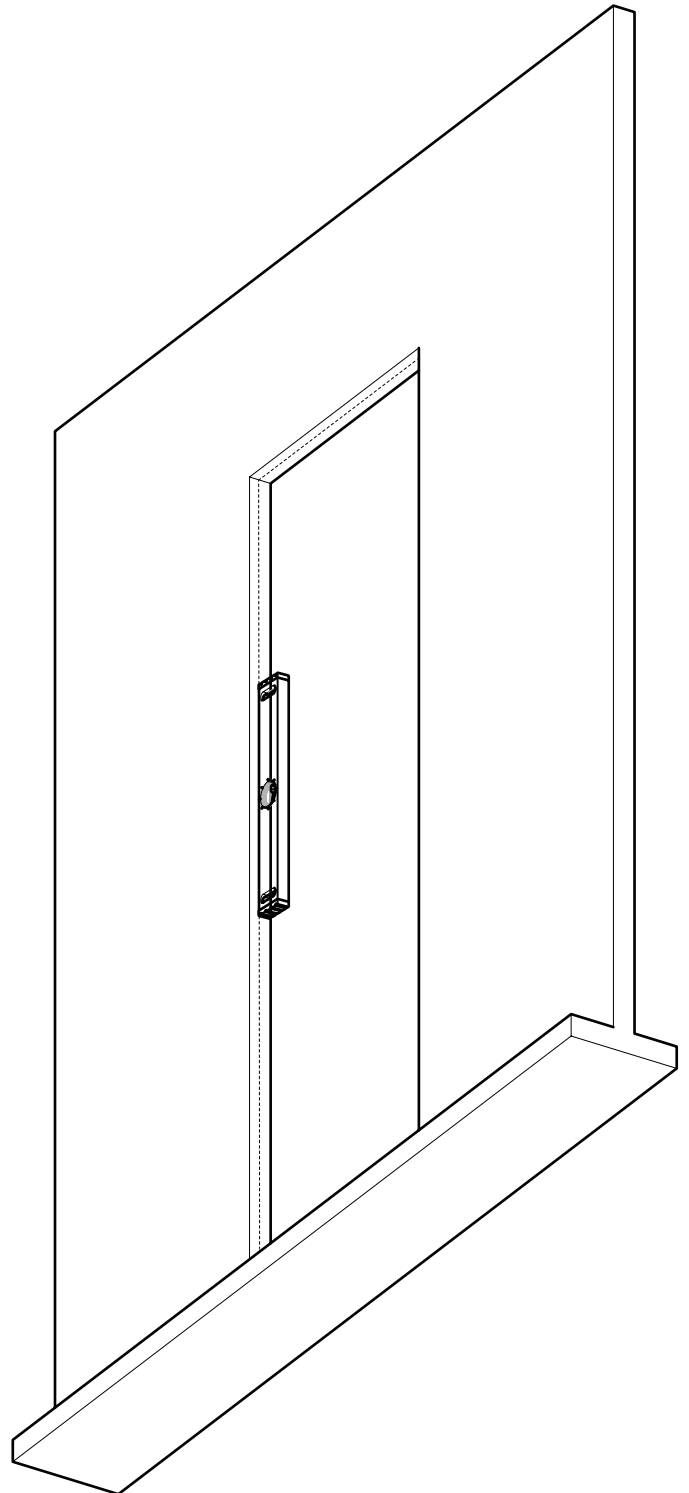
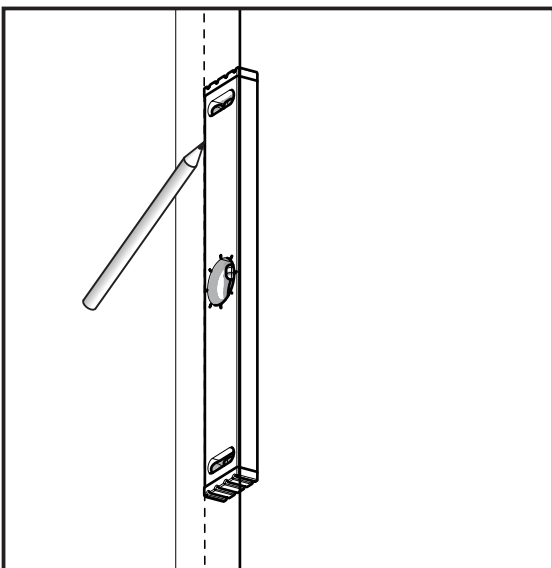
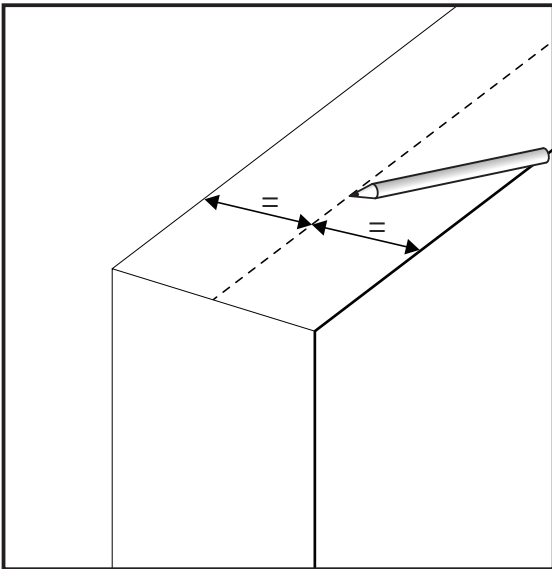
top view



Product Installation

Step 2

Mark the center of the head jamb and use a Level to mark its plumb lines on the side jamb. If the jamb is not wide enough, please make sure the track installation line is at least $1\frac{3}{16}$ " away from the jamb edge for a better appearance.

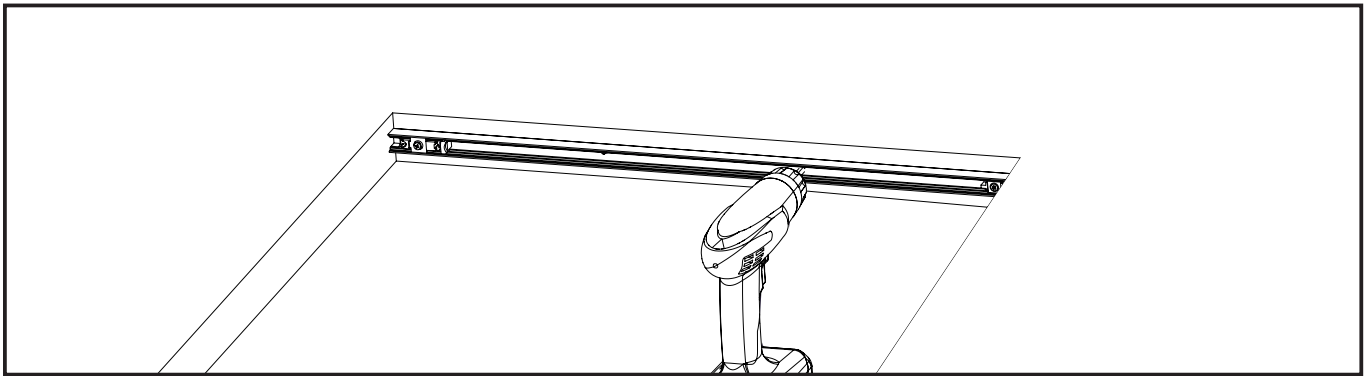
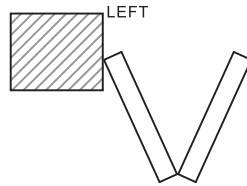


Product Installation

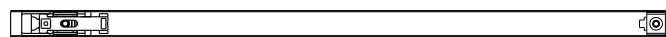
Step 3

Install the track centered on the header with pivot bracket toward the jamb and keep the pivot bracket unlocked.

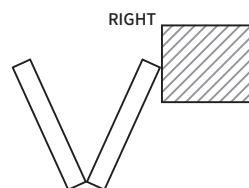
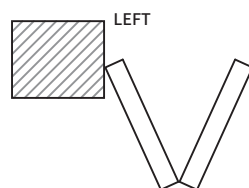
2X DOOR



top view

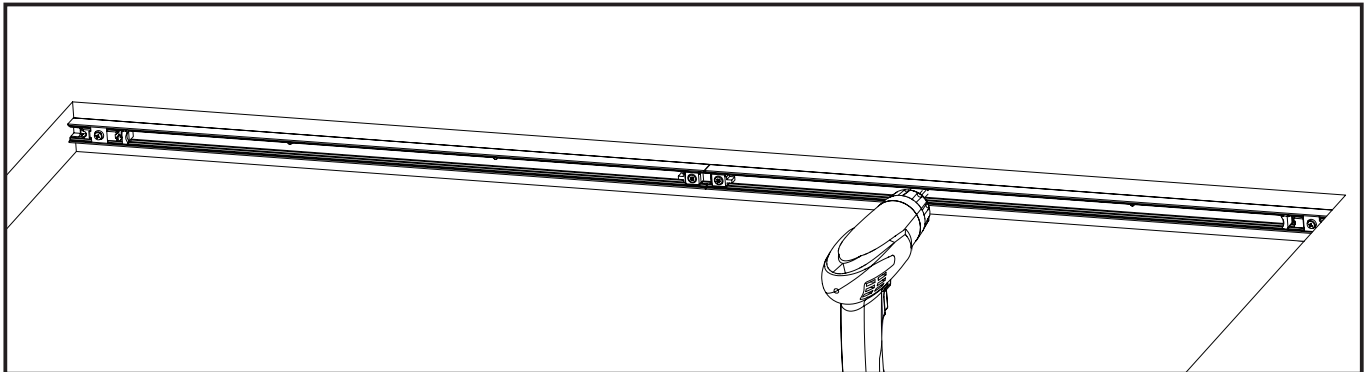


4X DOOR



Product Installation

Tips: When installing the tracks, please make sure the two door stoppers are in between the two pivot brackets.

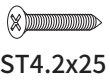


top view

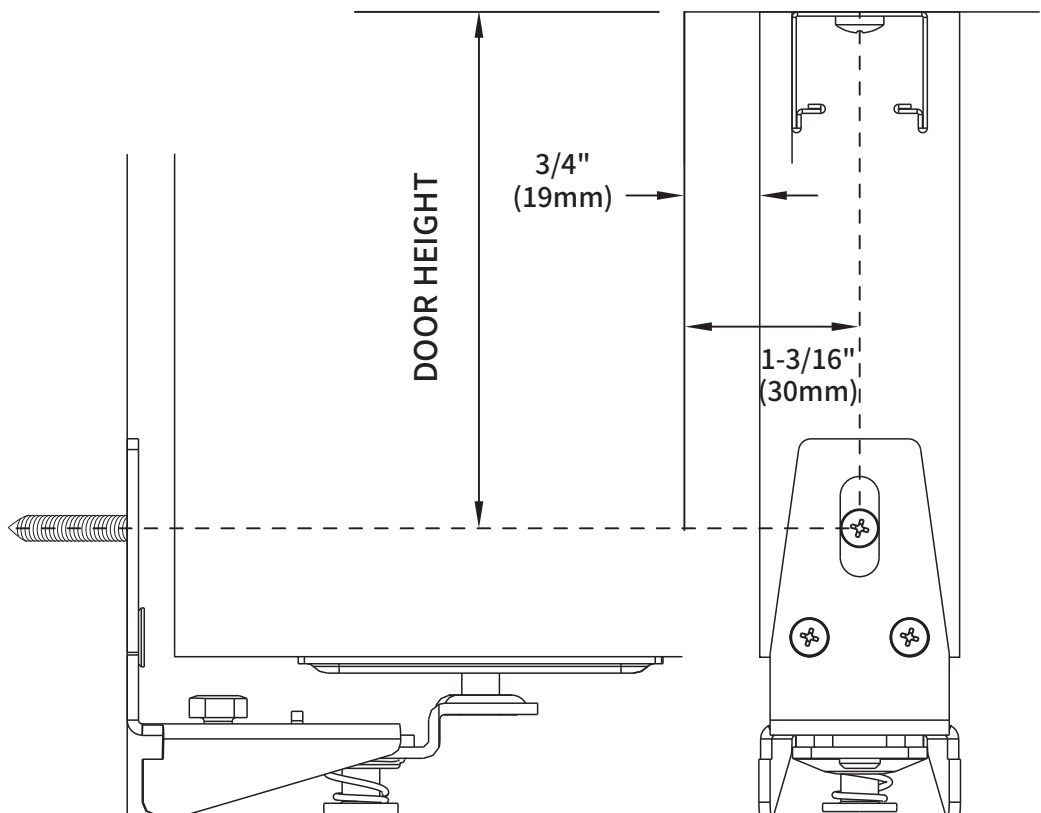


Step 4

Install the bottom jamb bracket: center the bottom jamb bracket at the floor and fasten it to the jamb with screws.



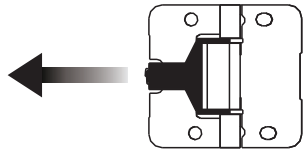
ST4.2x25



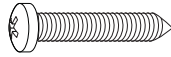
Product Installation

Step 5

Lay doors face down on a flat surface and attach the hinge with the black damping spring to the fixed door, while attaching the other side of the hinge to the active do.

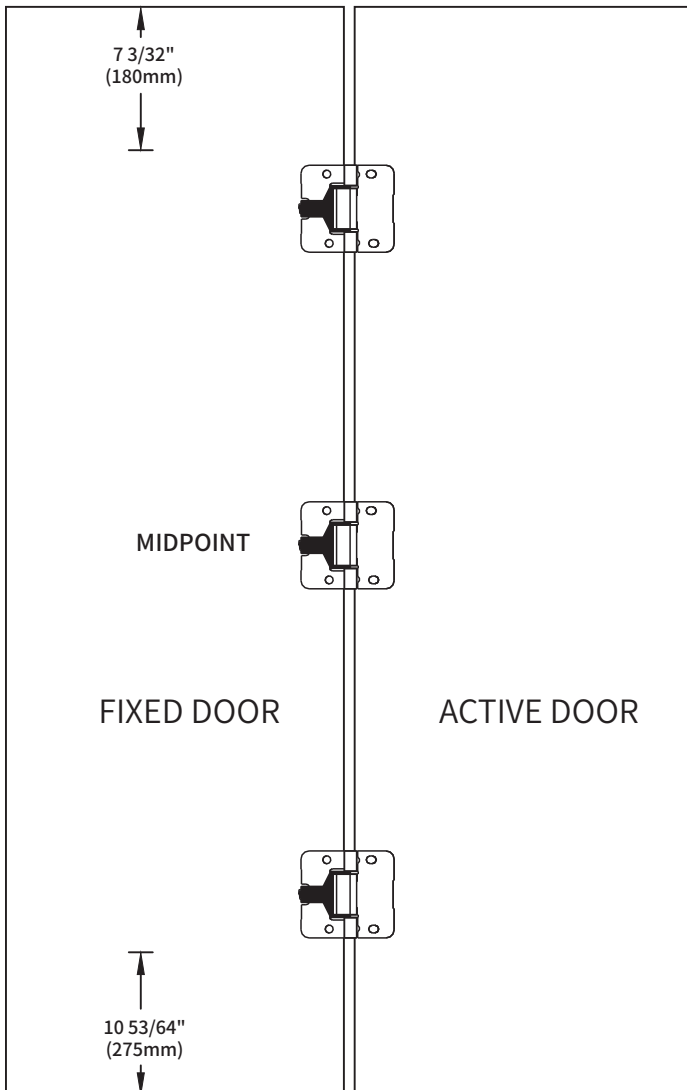


Damping spring hinge

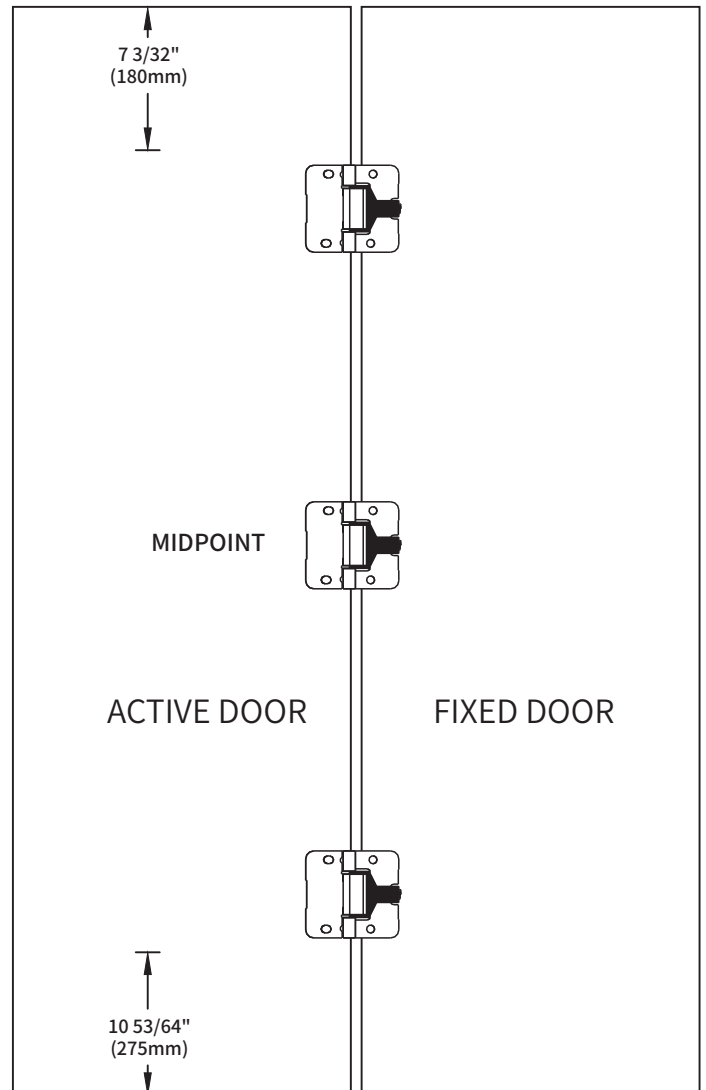


ST4.2x16

Hinge installation for the right swing door



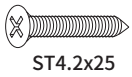
Hinge installation for the left swing door



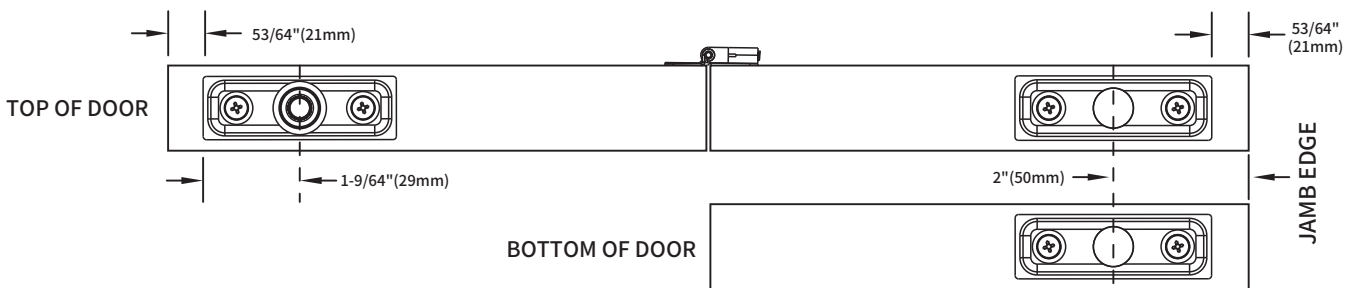
Product Installation

Step 6

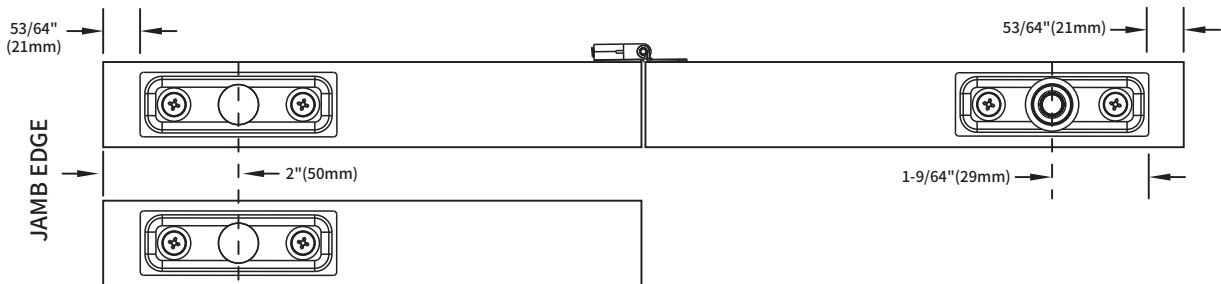
The pivot edge is $53/64$ inch away from the side edge of the door, please checking following illustration .
Install the fixed door top pivot to the top of fixed door and bottom pivot to bottom of the fixed door.
Install the active door top pivot to top of the active door
(the active door top pivot are with a spring and black cap).



RIGHT HAND SWING



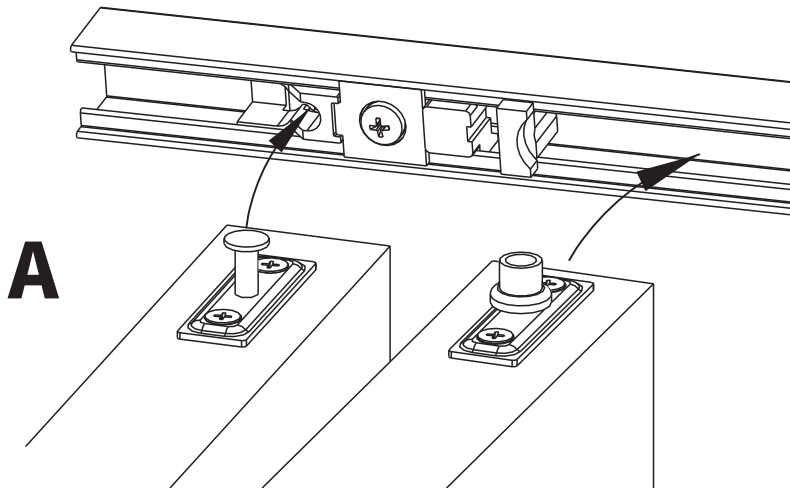
LEFT HAND SWING



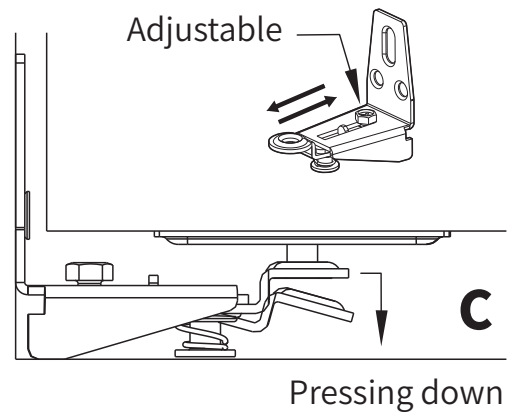
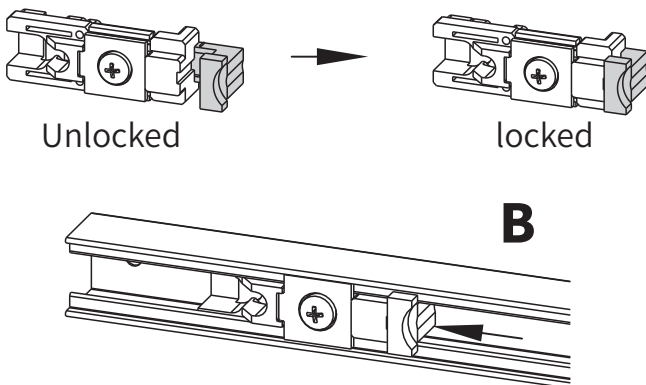
Product Installation

Step 7

Insert the fixed door door top pivot to the pivot bracket and lock the bracket by pushing the arm inward.



Seat the bottom pivot to the bottom pivot bracket, by pressing down the bracket socket arm and insert bottom pivot.

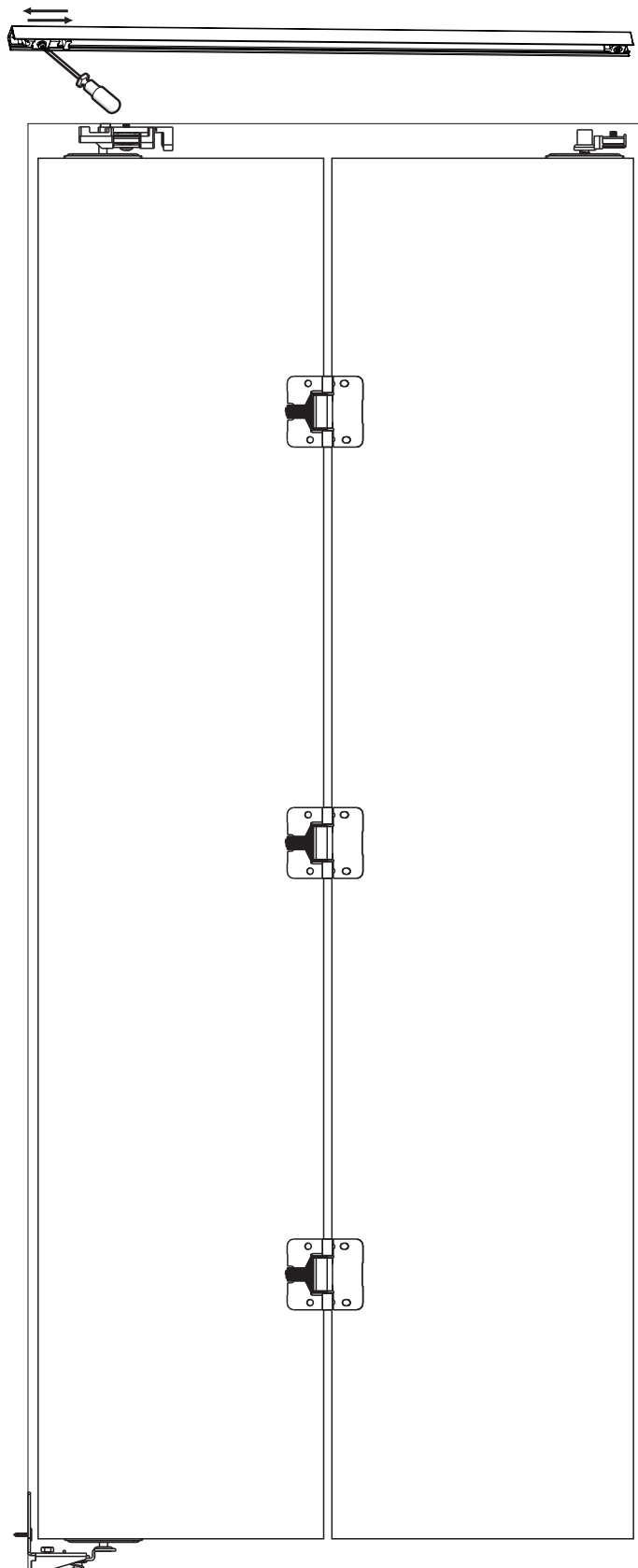


Product Installation

Adjustment

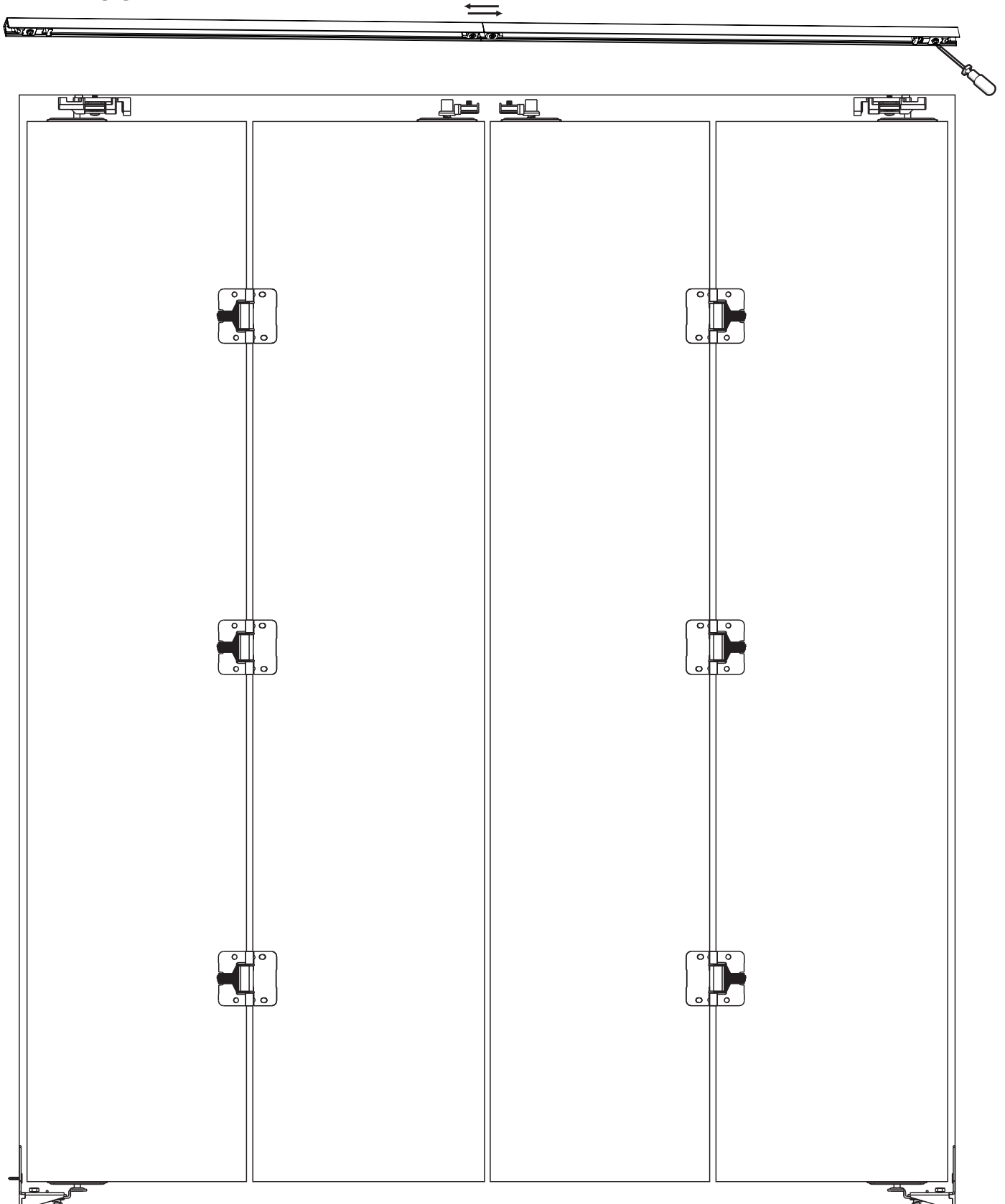
1. Loosen the screw in the top pivot bracket and slide it until the door is plumb then tightened.
2. Slide the door stopper to the other end of the track.

2X DOOR



Product Installation

4X DOOR



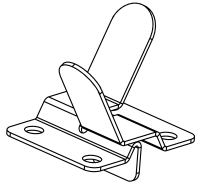
Product Installation

Step 8

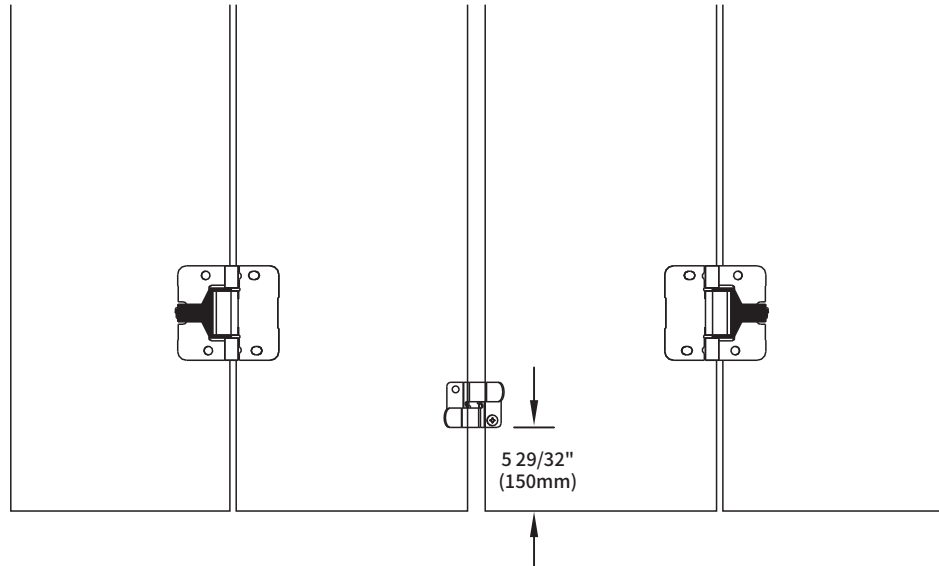
Install bi-fold panel aligner.

Note: The aligner is only applied to four door installation

Sit the aligner to back side of the active door, 5-29/32 inch apart from the bottom edge of the door, with the short pin snug against the side edge.

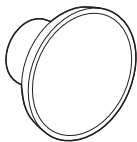


ST4.2x16

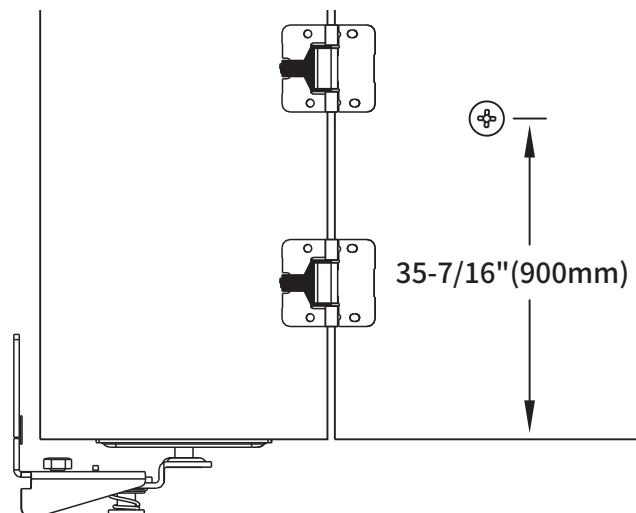


Step 9:

Mark a comfortable height and secure the knob with screws.



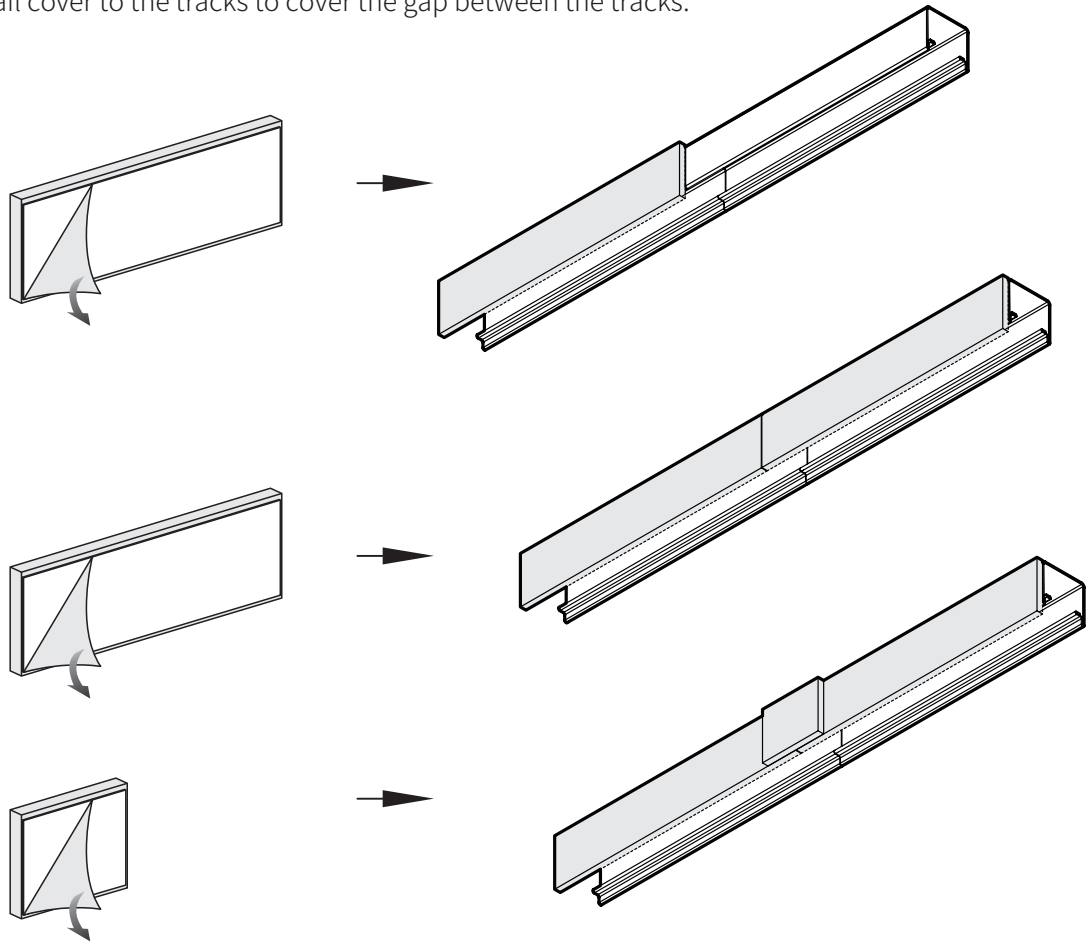
ST4.2x32



Product Installation

Step 10:

Attache the rail cover to the tracks to cover the gap between the tracks.



WARNING

Failure to wear proper safety gear (i.e., eye protection) may result in injury or death. Always wear proper safety gear before using any power tools.

Improper operation of power tools may result in loss of control, serious injury or death. Always ensure you have complete control of the power tool and the work area is hazard-free before operating any power tools.

Lack of secure clamping of the door may result in unexpected movement of the door, loss of power tool control and serious injury or death. Always securely clamp the door in place before cutting or drilling the door.

Lack of, or improperly installed anti-jump pad may result in the door coming off the track and cause serious injury or death. Installation of anti-jump pads are required for safe operation of this hardware. Installed properly, these anti-jump pads will keep the door securely attached to the track.

CAUTION

Mishandling of heavy objects (i.e., doors) may cause a loss of balance and serious injury. Always be sure to have a secure hold on the object and are balanced before moving the object. Always wear safety shoes when lifting heavy objects.

Getting body parts (i.e., hair, fingers) caught in moving parts may cause pinching and serious injury. Do not put fingers in parts that may move and always remove or contain anything on your body that may become entangled with a moving part.

Closing sliding doors with your hand on the end of the door may result in your hand, or fingers, getting caught between the door and other solid objects (i.e., another door, molding) causing serious injury. Always use the door handle to close doors.

Usage Statement:

Use of excessive force when opening, and closing, the door(s) may result in damage to the hardware. Always hold the handle and gently open and close the door(s).

Warranty Statement:

1 year straight unconditional warranty service enables every single hardware's durability coverage during its life time.

Warranty

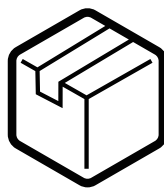
Our products come with a 1 year warranty from the date of purchase. In any event that the product arrives damaged or missing parts, we are more than happy to provide you with replacement part(s). Register your product on our website to enjoy extended warranty!!

Easy Return

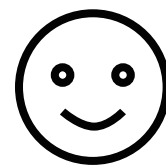
We work hard to make sure order arrives safe and secure, but rest assured we will take care of it if it is not up to standard. If you need replacement parts, Contact us we will send you replacements with no hassle.



Contact Us



Replacement



You

You don't have to worry about re-packaging / schedule pick-up.