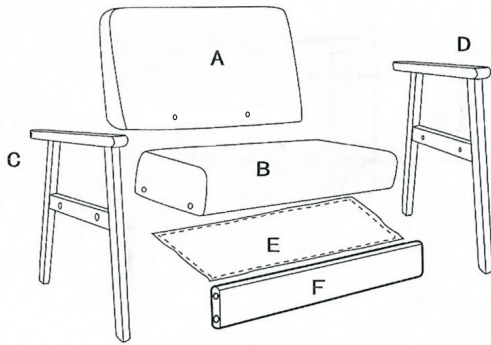


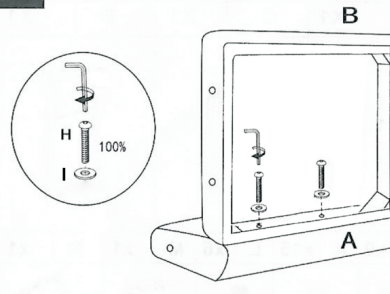
ASSEMBLY INSTRUCTION

A	X1	B	X1	C	X1	D	X1
E	X1	F	X1				
G	x4	H	x12	I	x2	J	x4
						K x1	



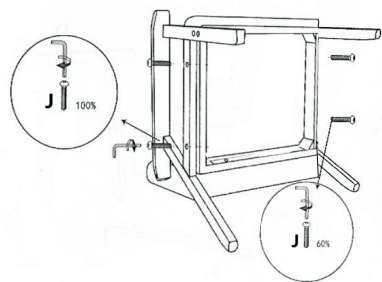
1

ASSEMBLY INSTRUCTION



H	x2	I	x2	K	x1

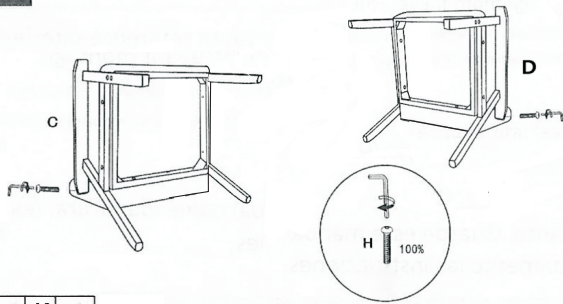
2



H	x2	K	x1

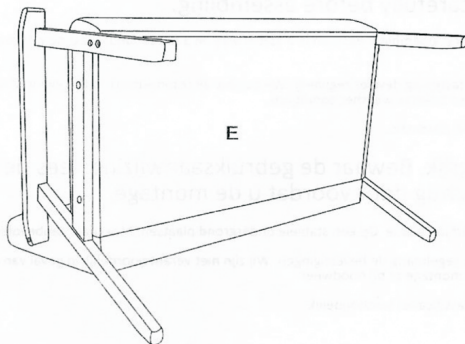
3

ASSEMBLY INSTRUCTION



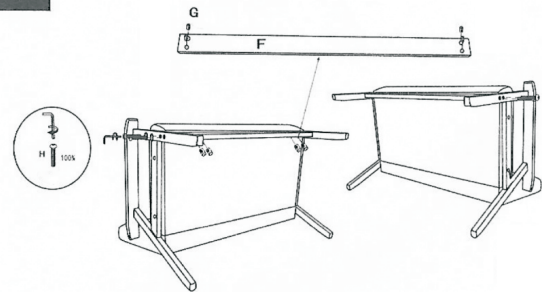
H	x2	K	x1

4



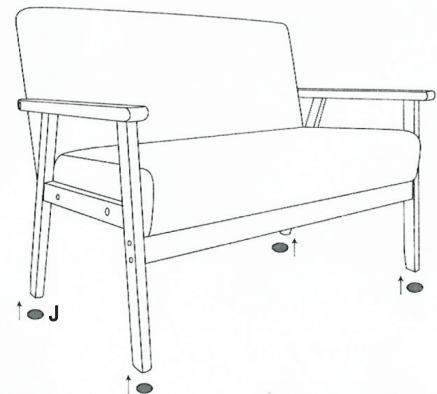
5

ASSEMBLY INSTRUCTION



H	x4	G	x4	K	x1

6



J	x4