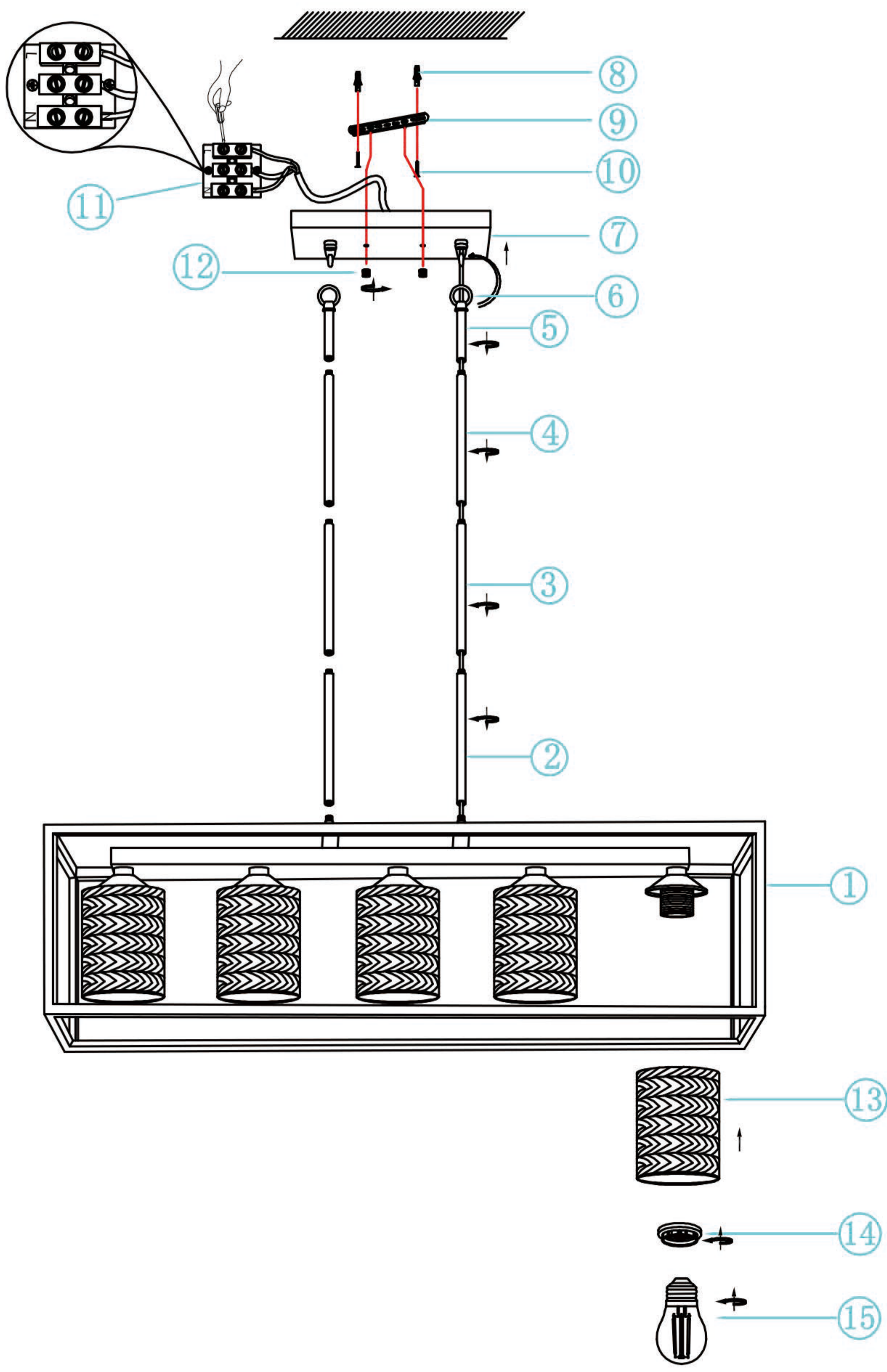


**FIXTURE ASSEMBLY STEPS:**

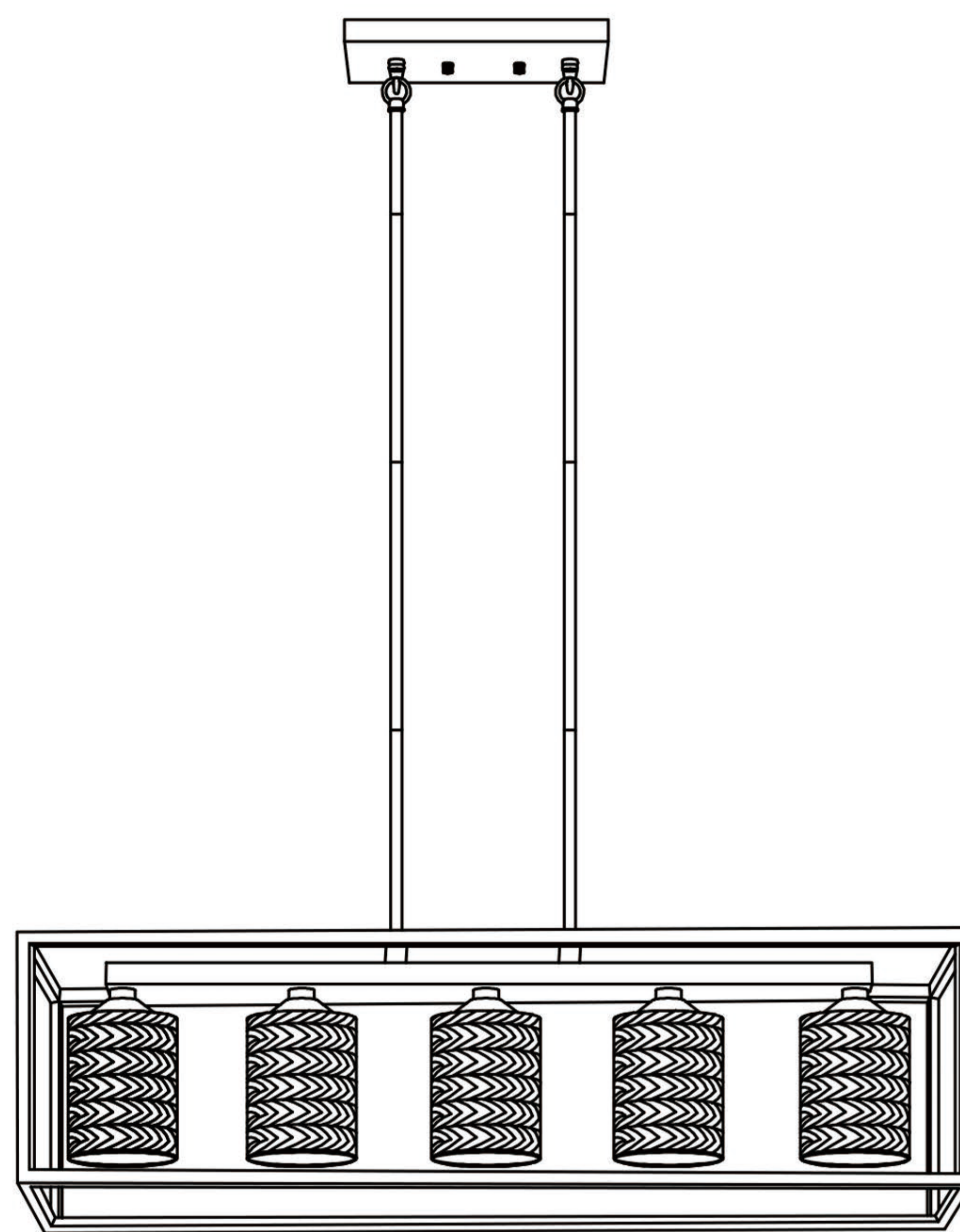
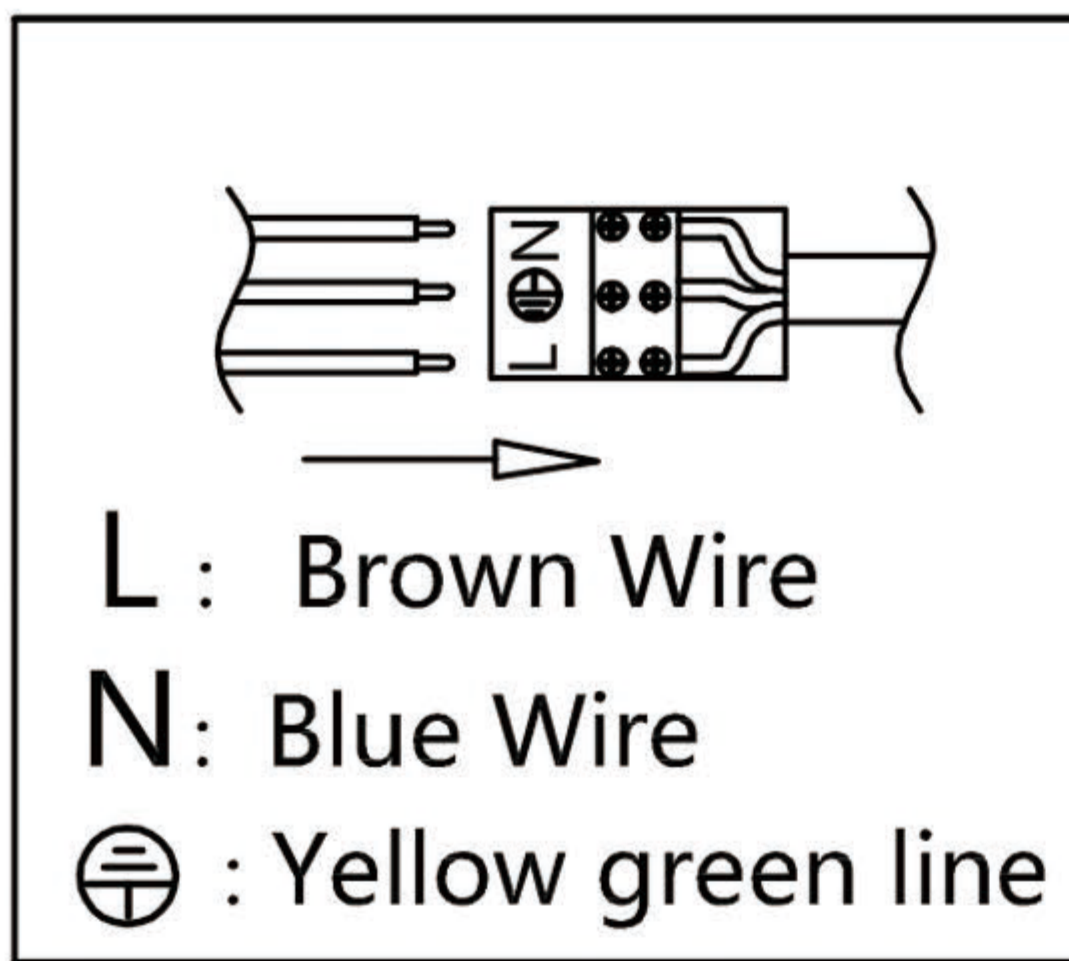
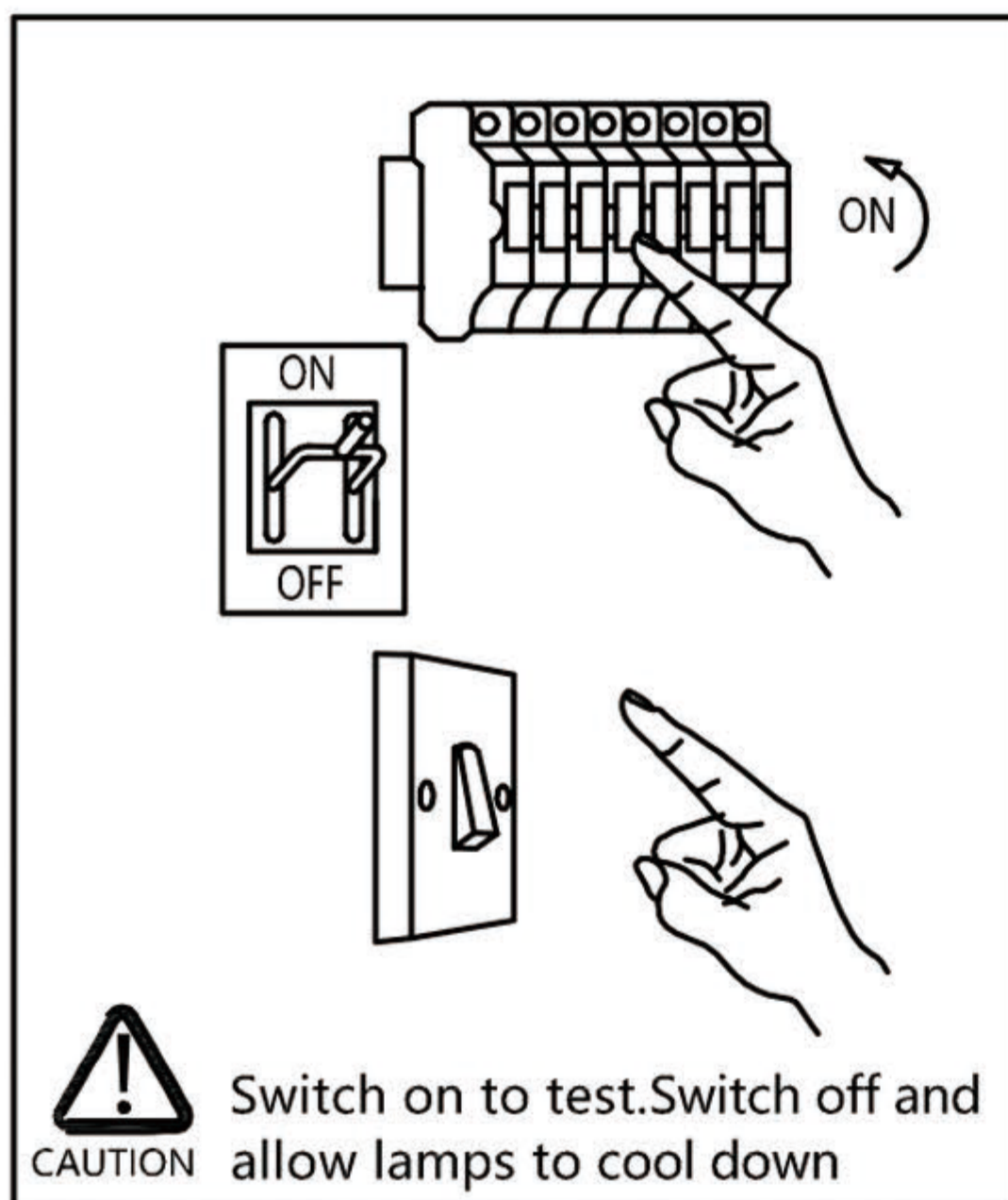
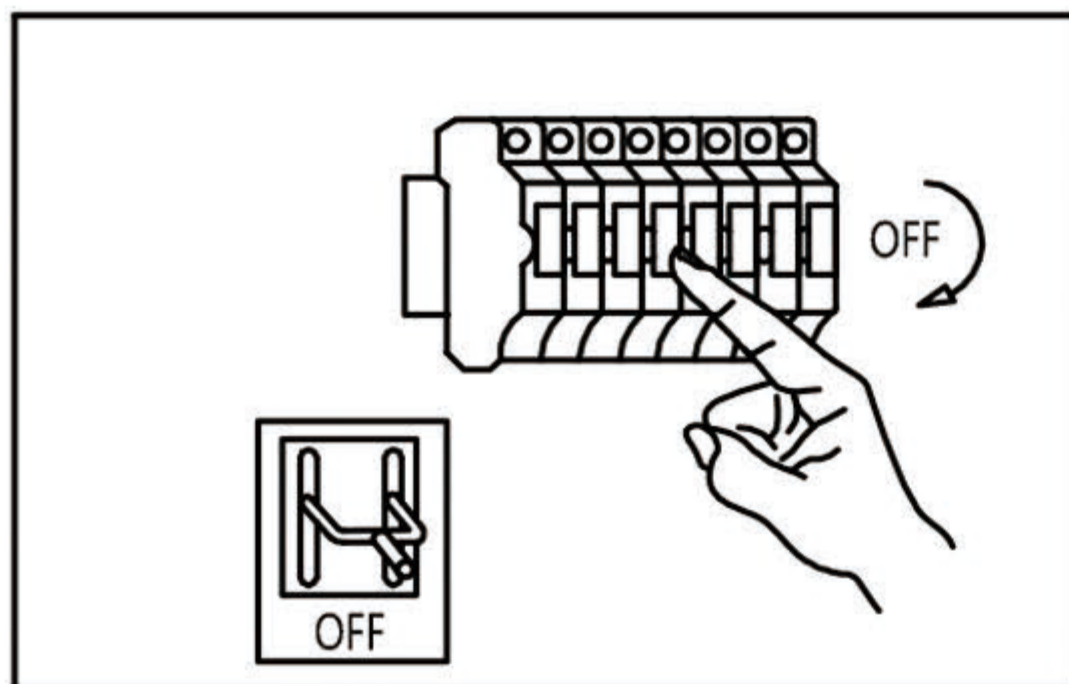


| DESCRIPTION                       | PICTURE | CODE      | QTY   |
|-----------------------------------|---------|-----------|-------|
| Mounting Bar + Screw + Canopy Cap |         | 9 / 12    | 1 SET |
| Gecko and wood screw              |         | 8 / 10    | 2 SET |
| Line bank                         |         | 11        | 1 PCS |
| Canopy+Hook                       |         | 7         | 1 PCS |
| Down Rod 8.5 cm+Rings             |         | 5 / 6     | 2 SET |
| Down Rod 30.5cm                   |         | 2 / 3 / 4 | 6 PCS |
| Glass                             |         | 13        | 5 PCS |
| Lamp Body                         |         | 1 / 14    | 1 SET |

WARNING - if any Special Control Devices are used with this Fixture, Follow the instructions Carefully to assure fun compliance With N.E.C. requirements. if there are any questions, contact a Qualified Electrical Contractor.  
CAUTION - All glass is fragile, use care when handling Glass component(s) and or Lamp(s).

**CANOPY MOUNTING & WIRE CONNECTION ASSEMBLY STEPS:**

**FIXTURE ASSEMBLY STEPS:**



220-240V / 50Hz  
E27 5\*MAX 60W TYPE A  
(Do not contain light bulb)

1. AC220~240V,50Hz.The Max lamps power is 60W TYPE A Bulb.
2. Avoid to scratch the surface of lighting and the wires when install it.
3. Connect the live wire with the Brown wire (L), Connect the netural wire to the Blue wire(N), Yellow-green wire grounding wire (⊕) (L-L,N-N, ⊕ ⊕)
4. Don't install it to the ceiling before it's completely dry, thesurrounding around must be ventilated and dry.
5. Keep away from the acid, basicity objects and gases, clean withsoft cloth, water washing is not allowed.
6. Be careful when you install glass lamp shade
7. The lighting must be installed by professional electrician and used indoor only.
8. Please keep attention to cut off the power supply when installing, cleaning, and replacing bulb.