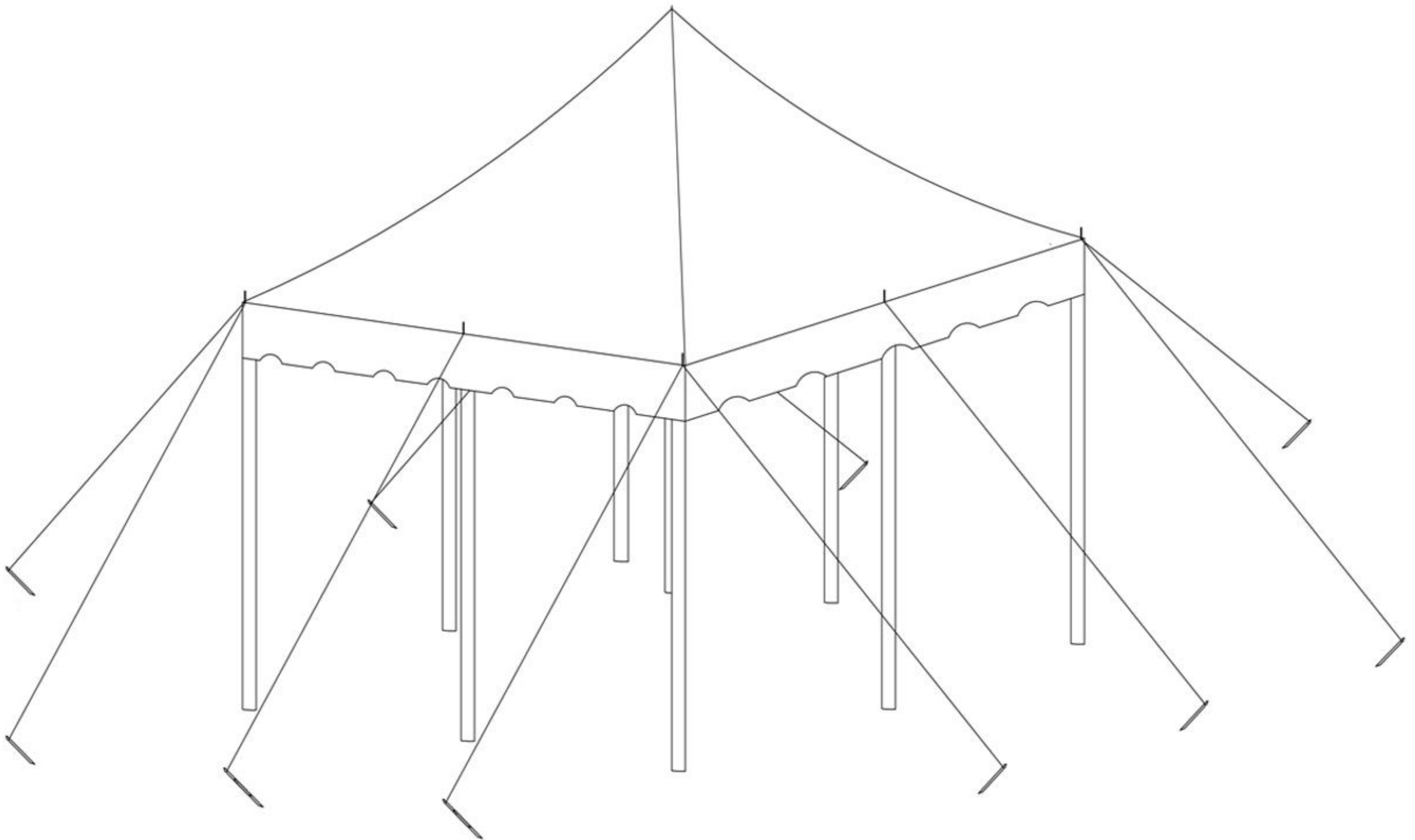


INSTRUCTION MANUAL

15x15FT Pole Tent








SKU:PXWQOT234WH



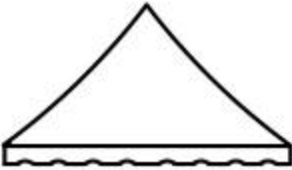
Please read the instructions COMPLETELY before assembly. Please check if you have all the parts listed in the part list. If you have any missing parts, please contact us. If there's any damage might be caused in the transportation, please send us clear pictures for replacements. This tent MUST be securely anchored.

THIS IS A TEMPORARY STRUCTURE AND NOT RECOMMENDED AS A PERMANENT STRUCTURE

Box A

Part number	Photo	Part name	Quantity (pcs)
A		Side Pole #1	8
B		Center Pole #2	1
C		Center Pole #3	1
D		Rope	12
E		Side Pole End Cap	8
F		Anchor	12
G		Center Pole End Cap	1

Box B

Part number	Photo	Part name	Quantity (pcs)
H		Tent top	1

Warning!

1. Before installation, consult with all local municipal codes regarding the installation of temporary shelters. The owner of the tent has the sole responsibility to make sure that these local rules are followed and that the mounting is correct.
2. **We are not responsible for damage to the unit or the contents from acts of nature.**
3. Periodically check the anchors to ensure stability of shelter.
4. In case of extreme weather conditions, the tent cover must be removed.
5. Any shelter that is not anchored securely has the potential to fly away and cause damage.
We are not responsible for any shelter that blows away.
6. **This canopy is intended to protect against the effects of sun, rain, light snow, etc. It is not designed to hold the loads that can accompany wind, rain, snow, or ice storms. This structure is not tested for specific snow, rain, and wind loads.**
7. A tight cover ensures longer life and performance. Always maintain a tight cover. Loose fabric can accelerate the deterioration of cover fabric.
8. **Immediately remove any accumulated water, snow, or ice from the roof structure with a broom, mop, or other soft-sided instrument.**
9. Do not use open fire, welding equipment, or other ignition sources in the tent.
10. **We recommend you insure the tent, or check if it is covered by home contents insurance, in case of unplanned events, accidents, or bad weather.**

CARE AND CLEANING:

- A tight cover ensures longer life and performance. Always maintain a tight cover. Loose fabric can accelerate the deterioration of cover fabric.
- **Immediately remove any accumulated water, snow, or ice from the roof structure with a broom, mop, or other soft-sided instrument.**
- NEVER leave this tent up overnight, particularly with roof and side panels on when a gust of winds can damage it.
- DO NOT use bleach or harsh abrasive products to clean the fabric cover. The cover is easily cleaned with mild soap and water.

Before putting up

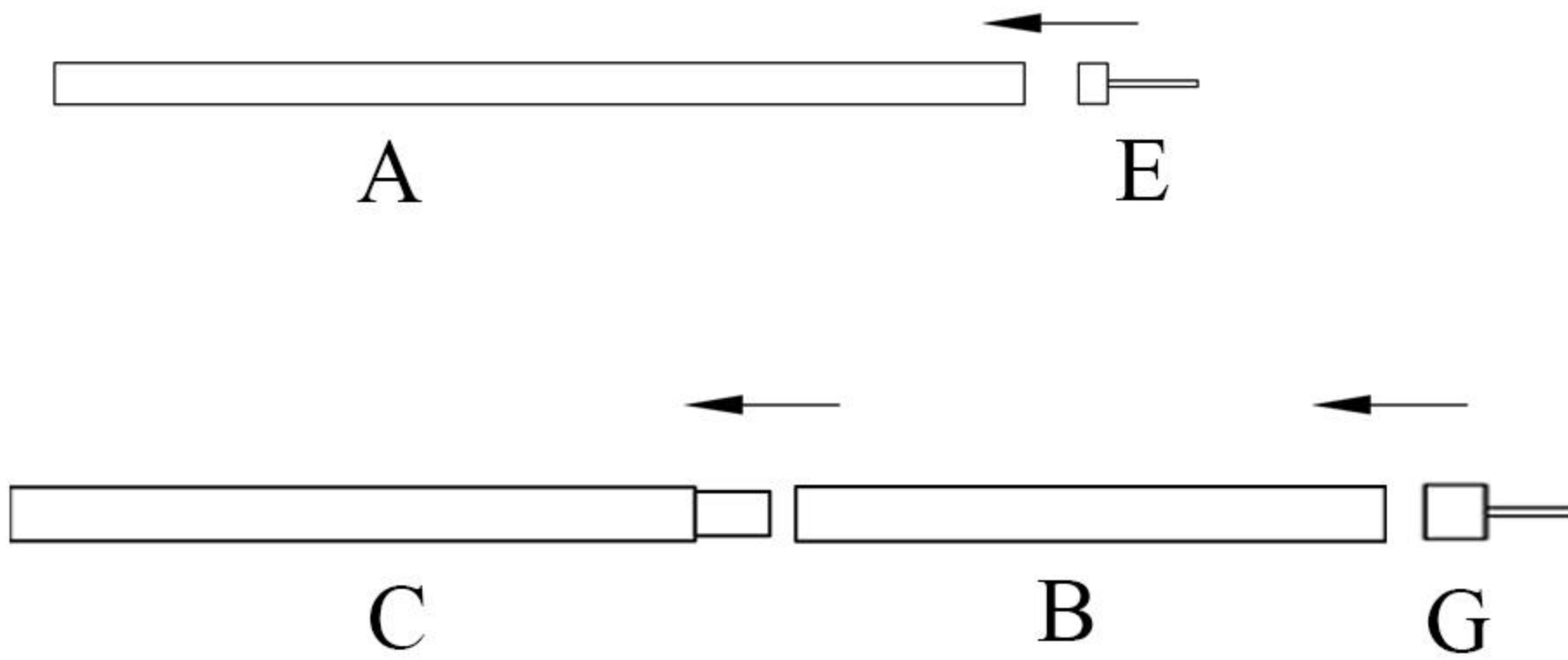
When unpacking the parts, keep them away from children. Smaller parts could be swallowed and suffocation can be caused by plastic bags! Choose a suitable location for your pavilion.

Pay attention to the following points when choosing a location:

- The pavilion must stand on a flat, non-slip, and safe place
- Choose a sheltered location
- Avoid damaging the material, please place the pavilion in a position where it cannot rub or chafe against branches, parts of buildings, etc.
- Put up the pavilion at a safe distance from fireplaces and pay attention to the direction of the wind
- After use, allow your pavilion to dry in an upright position before packing it away.

STEP 1

Connect part (A) and part(E) to make side poles, connect part (C), part(B) and part(G) to make center pole.



A x 8



E x 8



B x 1



C x 1



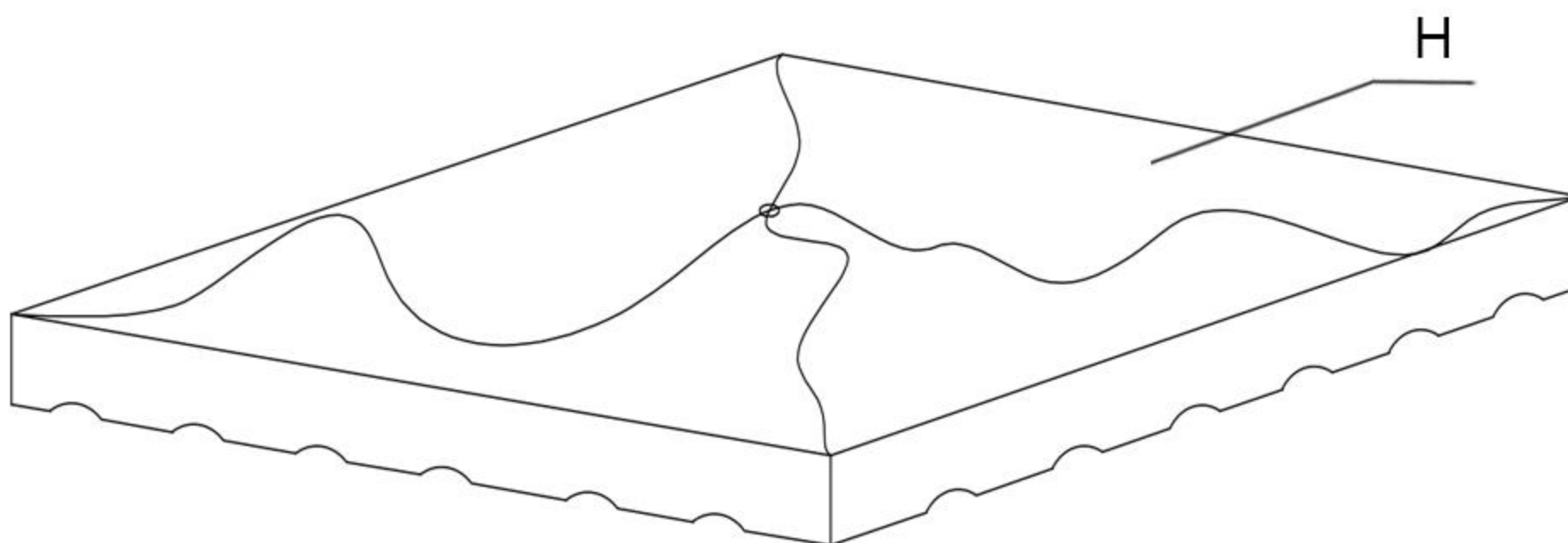
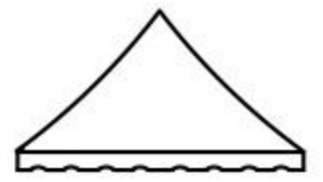
G x 1



STEP 2

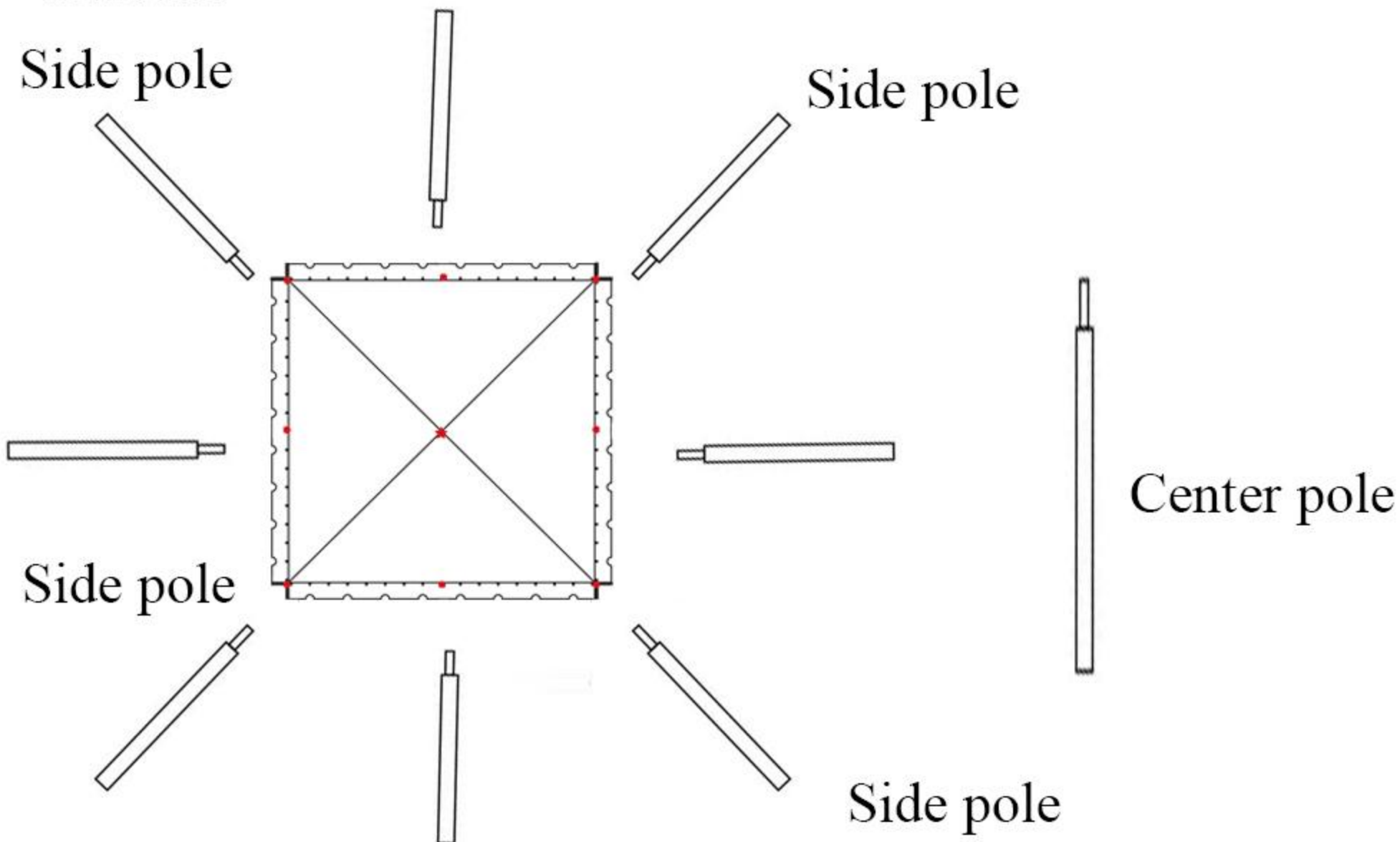
Unroll and unfold the tent top on the desired spot to be covered, keep the tent top edges as square as possible. The center of the tent top will not be totally flat due to the peak of the tent.

H x 1



STEP 3

Place all Side poles (made by Part A & E) and Center pole (made by Part B,C & G) around the tent top as shown.



x 8

Side pole

x 1

Center pole

STEP 4

Hammer the anchors (Part F) into the ground as shown below , approximately 3.5' from the grommet locations and 2 anchors go to each corner location (place 90° apart). Loop the ropes (Part D) around the hook on the Anchors while the tent top is laying on the ground. 4 anchors go to the middle of the 4 sides of the tent top respectively.

F x 12

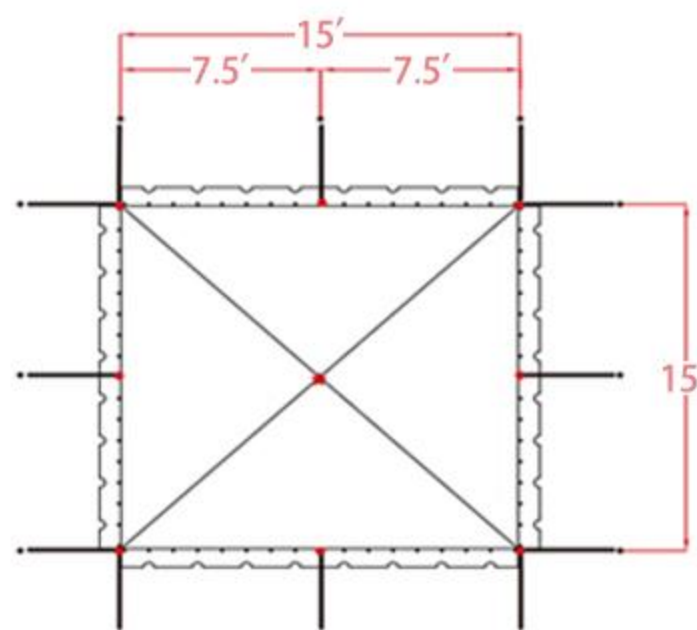


D x 12

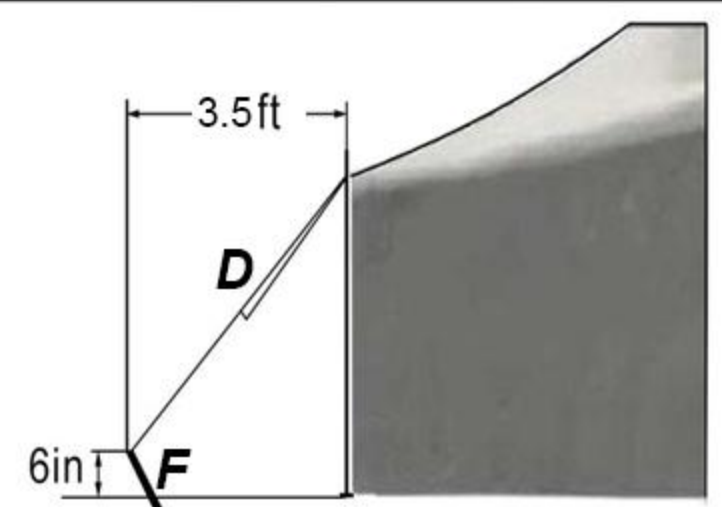


Warning: Make sure that anchors are nailed into the ground firmly. If the ground is soft, tent might collapse. If there's no firm place to set up your tent, you must buy longer anchors to prevent collapse. Do not push anchors in by hand. Use a hammer to drive anchors firmly into the ground .

Anchoring point layout

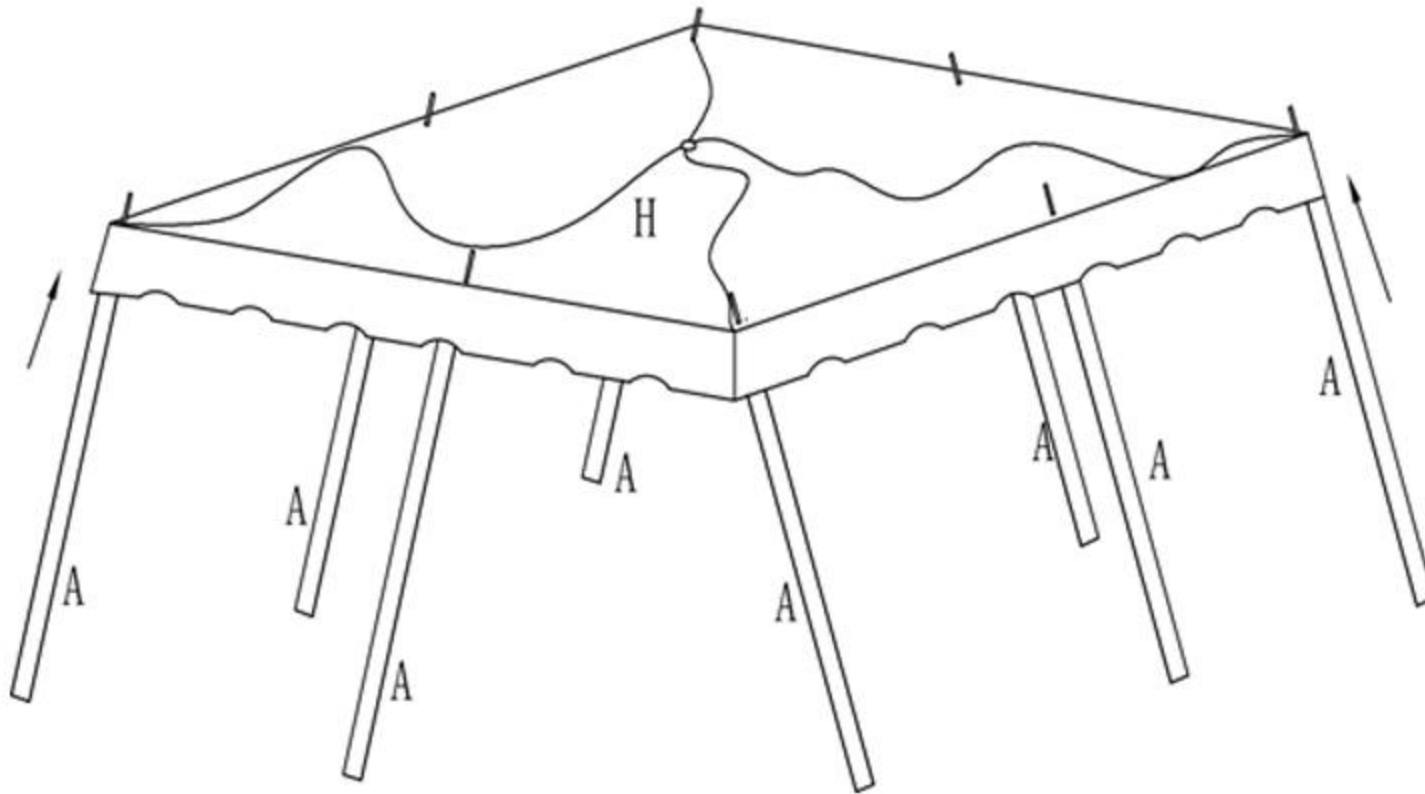


Side view of the Anchor and rope



STEP 5

The side poles are now ready to be erected. Start at opposite corners and insert the pole pin through the metal double D ring and the metal grommet (Very Important: make sure the pin goes through both the double D ring and grommet; if done improperly this may cause damage to the tent top). Set the side poles so they are leaning in towards the tent at about a 60°-75° angle. Insert the remaining side poles. When all the poles are up in the air, a good portion of the weight has been lifted, and easier access has been provided to the center of the tent.

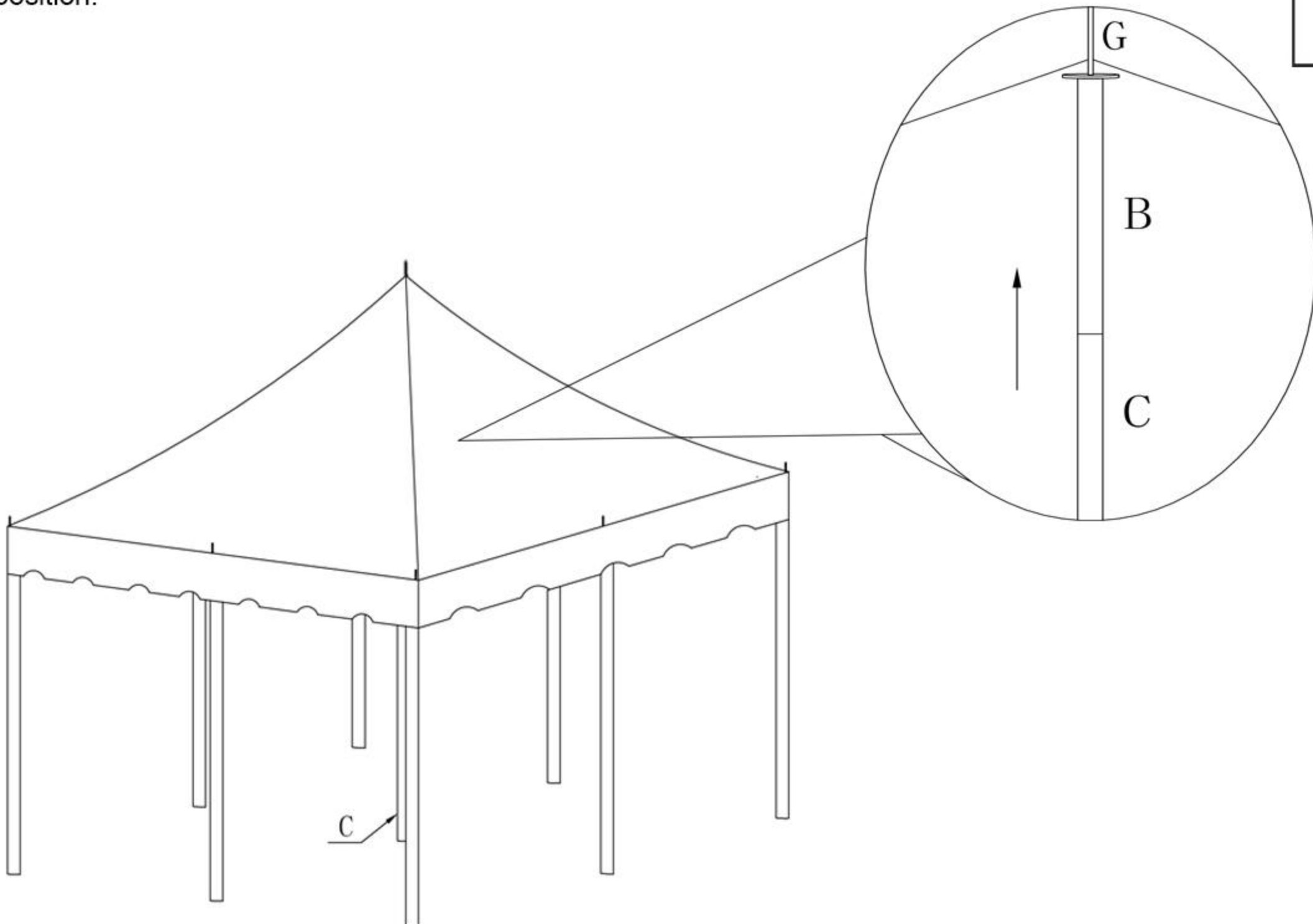


x 8

Side pole

STEP 6

Insert the center pole pin through the center metal grommet; Push the all the poles into a vertical position.



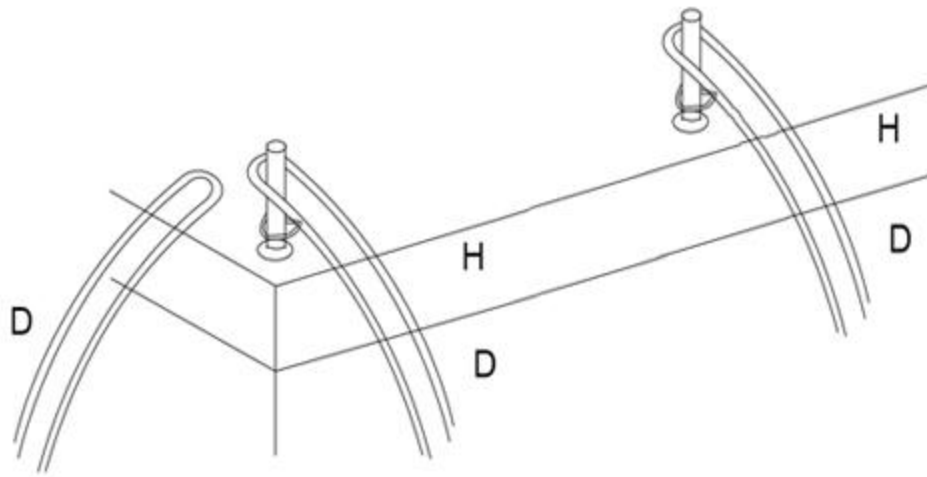
x 1

Center pole

STEP 7

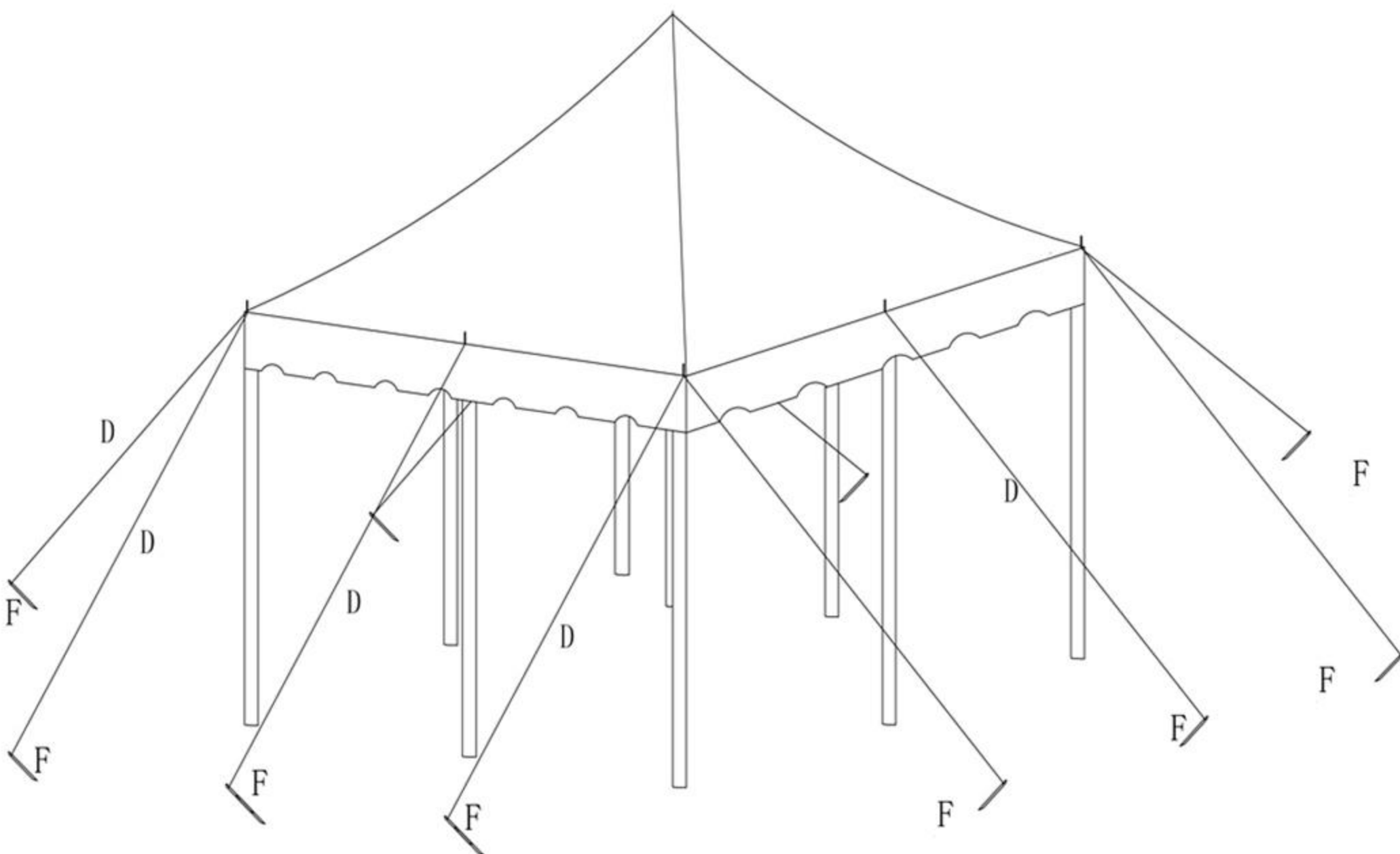
With the corner side poles and center poles vertically straight. Set one side of the ropes on the tip of poles and hook the other side on the anchors.

Please use 2 sets of the ropes on the corner poles while 1 set of rope for the other poles as demonstrated below.



Tighten the rope by using the plastic adjuster on the rope .

Warning: All the poles must be straight and all the ropes must be tightened to their limit to prevent tent collapse. If the poles are not straight, or the ropes are not tightened properly, the tent will collapse. Not liable for injuries or property damage.



Now you can enjoy your Pole Tent !