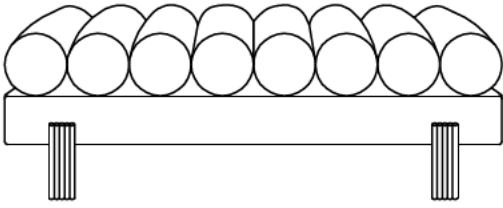


ASSEMBLY INSTRUCTIONS



+ Do Not Use PowerTools



+ Suggested Adults



NOTE:

- 1 Read instructions cover to cover.
- 2 Save all packaging until assembly is completed.

1 IMPORTANT SAFETY INFORMATION

Do not assemble the product if any of the following parts arrived damaged:

Part ① Cushion

Part ② Leg

Do not assemble if any of the following Hardware parts are missing:

Part A Bolt 5/16"*1"

Part B Flat washer 5/16"

Part C Spring washer 5/16"

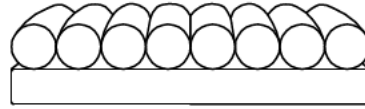
Part D Allen wrench 5/16"

2 IMPORTANT ASSEMBLY INFORMATION

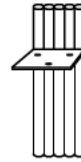
Assembly Step If loosening persists, Please make sure to tighten all the bolts periodically, or use a thread locker adhesive.

+ Parts Included

① Cushion 1PC



② Leg 4PCS



+ Hardware Included

A Bolt 5/16"*1"
12PCS



B Flat washer 5/16"
12PCS



C Spring washer 5/16"
12PCS

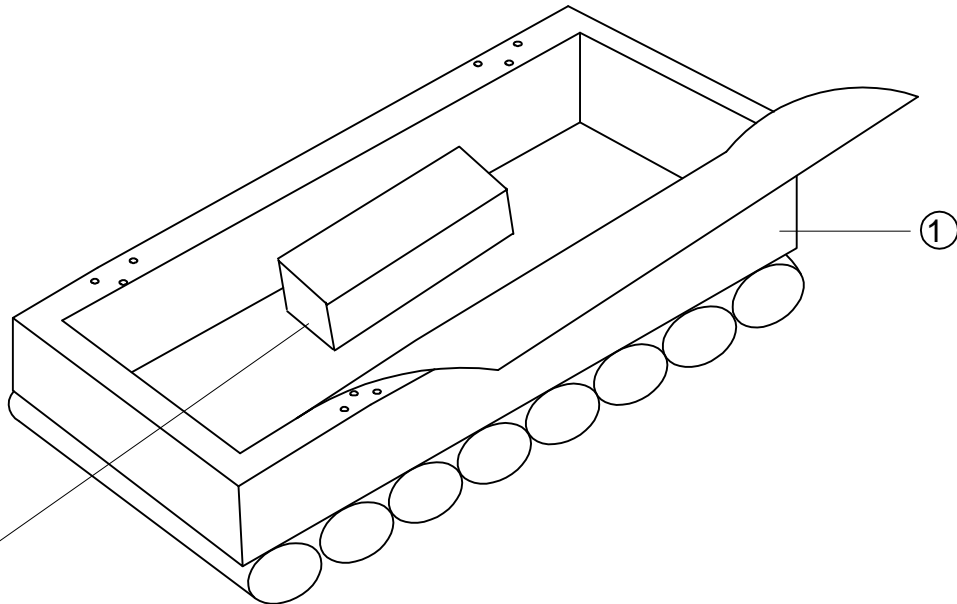


D Allen wrench 5/16"
1PC



ASSEMBLY INSTRUCTIONS

- 1 Unzip bottom cover to assemble the seat !



The legs are underneath the dust cover

- 2

