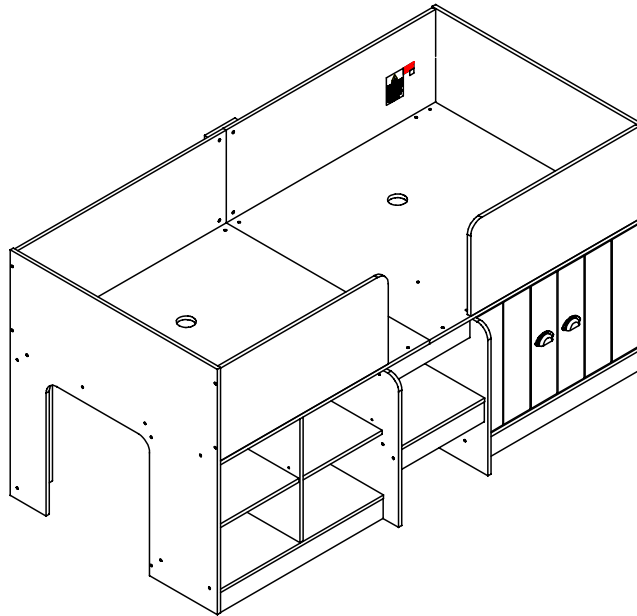


LOW SLEEPER BED ASSEMBLY INSTRUCTIONS



MAX BED
WEIGHT



FOR DOMESTIC USE ONLY
IMPORTANT
PLEASE READ BEFORE YOU CONTINUE FURTHER

WARNING “High beds and the upper bed of bunk beds are not suitable for children under the age of six years due to the risk of injury from falls”.

WARNING “Bunk beds and high beds can present a serious risk of injury from strangulation if not used correctly. Never attach or hang items to any part of the bunk bed that are not designed to be used with the bed, for example, but not limited to; ropes, strings, cords, hooks, belts and bags”.

WARNING “Children can become trapped between the bed and the wall, a roof pitch, the ceiling, adjoining pieces of furniture (e.g. cupboards) and the like. To avoid risk of serious injury the distance between the top safety barrier and the adjoining structure shall not exceed 75mm or shall be more than 230mm”.

WARNING Do not use the bunk bed/high bed if any structural part is broken or missing.

The recommended mattress size for this bunk bed/high bed is 1900mm x 915mm x 150mm.

The maximum mattress height is 210mm.

The maximum mattress height is clearly marked on the bunk bed and **MUST NOT BE EXCEEDED**.

Depending on the amount of use this product receives it may be necessary to tighten up the fixings from time to time, this is completely normal for all flat pack furniture. **DO NOT OVER TIGHTEN FIXINGS**.

Do not for any reason use a power tool to assemble this product.

Two persons are required to assemble this bunk bed/high bed.

Assemble as close to its final position as possible.

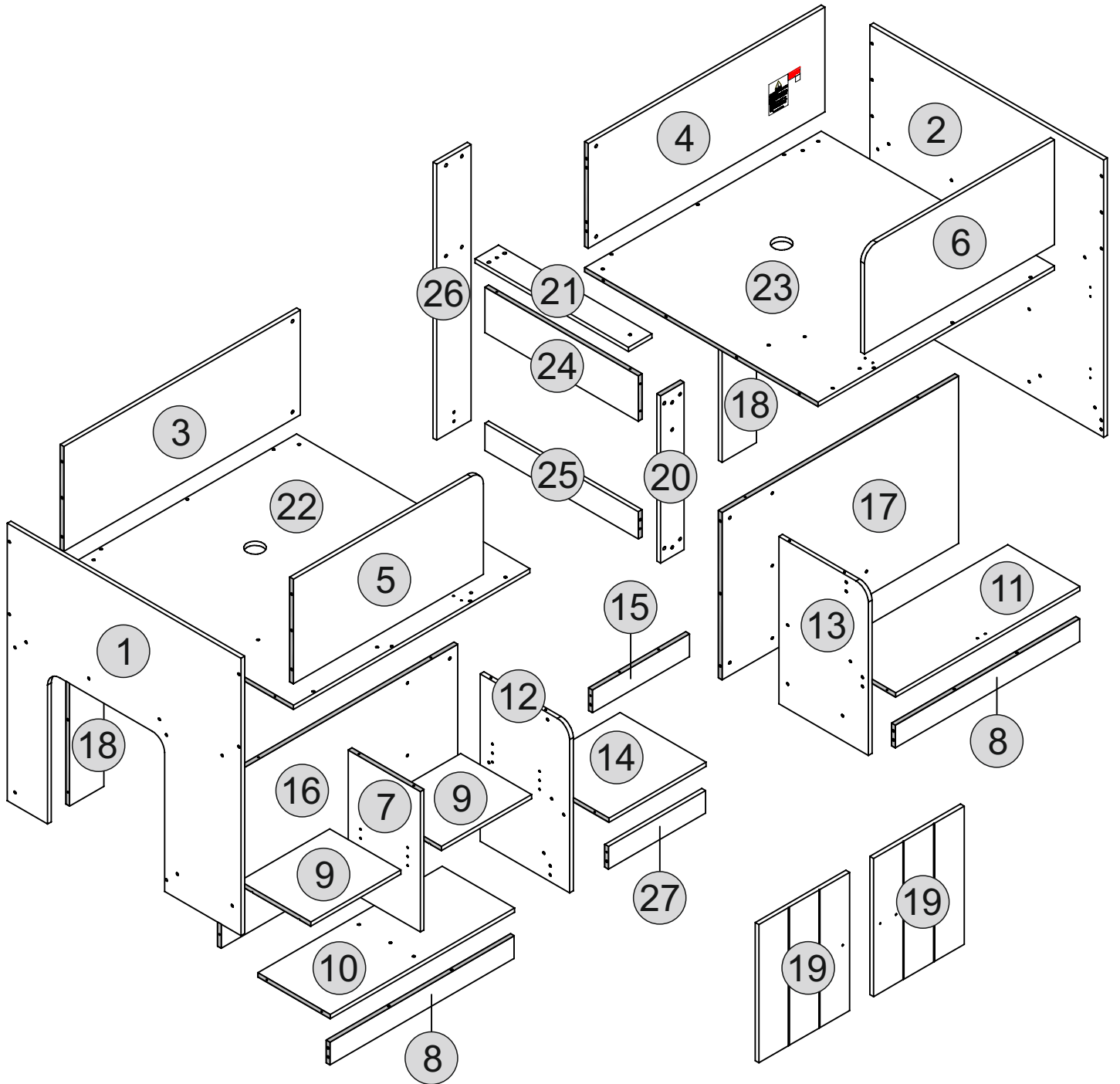
Assemble on a soft clean surface.

For cleaning you may use a damp cloth (not wet).



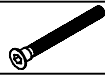









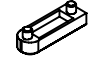


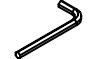
The room in which the bed is positioned should be ventilated to prevent mould in and around the bed.

PART LIST

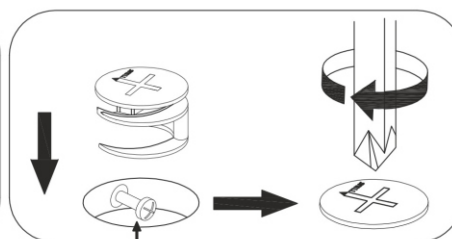
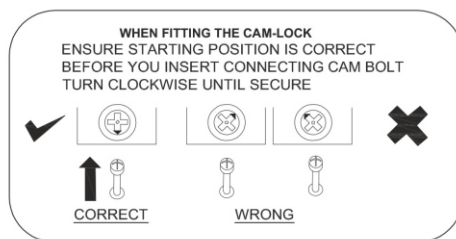
<u>Part Number</u>		<u>Part Description</u>	<u>Quantity</u>	<u>Carton</u>
1		Side Panel (Left)	1	1/3
2		Side Panel (Right)	1	1/3
3		Back Panel (Left)	1	2/3
4		Back Panel (Right)	1	2/3
5		Front Side Rail (Left)	1	3/3
6		Front Side Rail (Right)	1	3/3
7		Fixed Shelf Panel	1	3/3
8		Bottom Support	2	3/3
9		Shelf Panel	2	3/3
10		Bottom Panel (Left)	1	3/3
11		Bottom Panel (Right)	1	3/3
12		Ladder Side (Left)	1	3/3
13		Ladder Side (Right)	1	3/3
14		Ladder Step	1	3/3
15		Ladder Support (Top)	1	3/3
16		Bed Board (Left)	1	2/3
17		Bed Board (Right)	1	2/3
18		Back Support	2	3/3
19		Door	2	1/3 & 3/3
20		Back Board Support	1	1/3
21		Floor Support	1	3/3
22		Bed Base Panel (Left)	1	1/3
23		Bed Base Panel (Right)	1	2/3
24		Centre Support	1	3/3
25		Centre Bottom Support	1	3/3
26		Side Rail Back Support	1	3/3
27		Ladder Support (Bottom)	1	3/3



HARDWARE LIST

No.	Part Name		Qty	Carton
A	M8 x 30mm Dowel		29	3/3
B	M8 x 40mm Dowel		9	3/3
C	M6 x 55mm JCBC Unitar Screw		8	3/3
D	M6 x 40mm Unitar Screw		77	3/3
E	M6 x 25mm Allen Bolt		10	3/3
F	14mm Chipboard Screw		24	3/3
G	Double Ended Cam Bolt		2	3/3
H	Cam Nut		4	3/3
I	M6 x 15mm JCN Nut		10	3/3
J	M6 x 13mm Baller		8	3/3
K	Handle + Screw		2 set	3/3
L	Hinges		4	3/3
M	Door Stopper		2	3/3
N	Metal Shelf Support		8	3/3
O	L Bracket (2x15x50x50mm)		2	3/3
P	M6 Allen Wrench		2	3/3

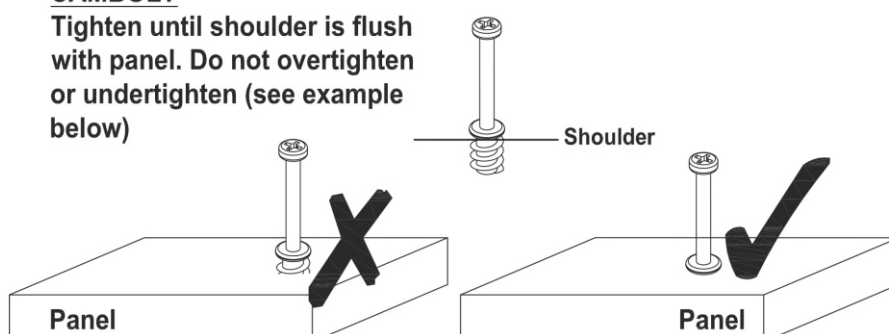
TIPS FOR FITTING CAM-LOCKS



Cam bolt head needs to be in centre

CAMBOLT

Tighten until shoulder is flush with panel. Do not overtighten or undertighten (see example below)



STEP 1

PARTS REQUIRED

7 - FIXED SHELF PANEL x1

8 - BOTTOM SUPPORT x2

12 - LADDER SIDE (LEFT) x1

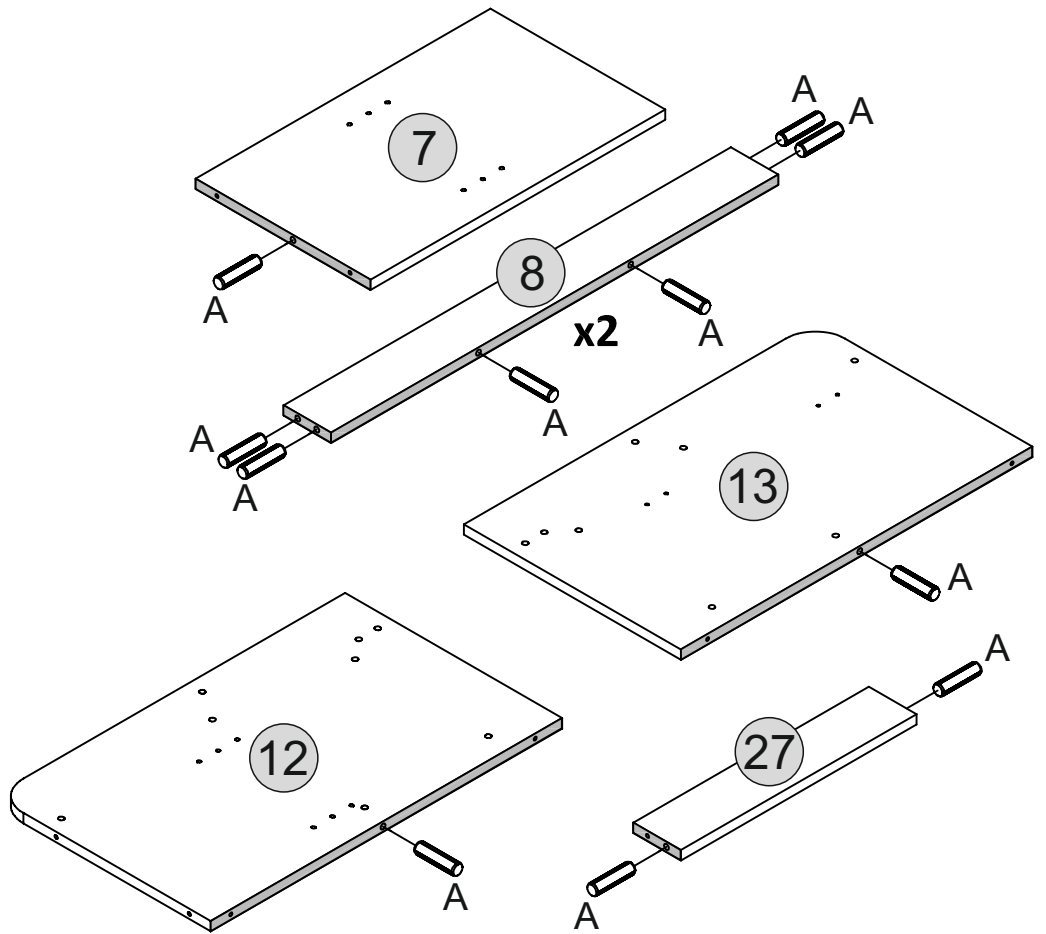
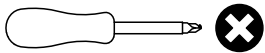
13 - LADDER SIDE (RIGHT) x1

27 - LADDER SUPPORT BOTTOM x1

HARDWARE REQUIRED

A  17

TOOLS REQUIRED



STEP 2

PARTS REQUIRED

15 - LADDER SUPPORT TOP x1

16 - BED BOARD (LEFT) x1

17 - BED BOARD (RIGHT) x1

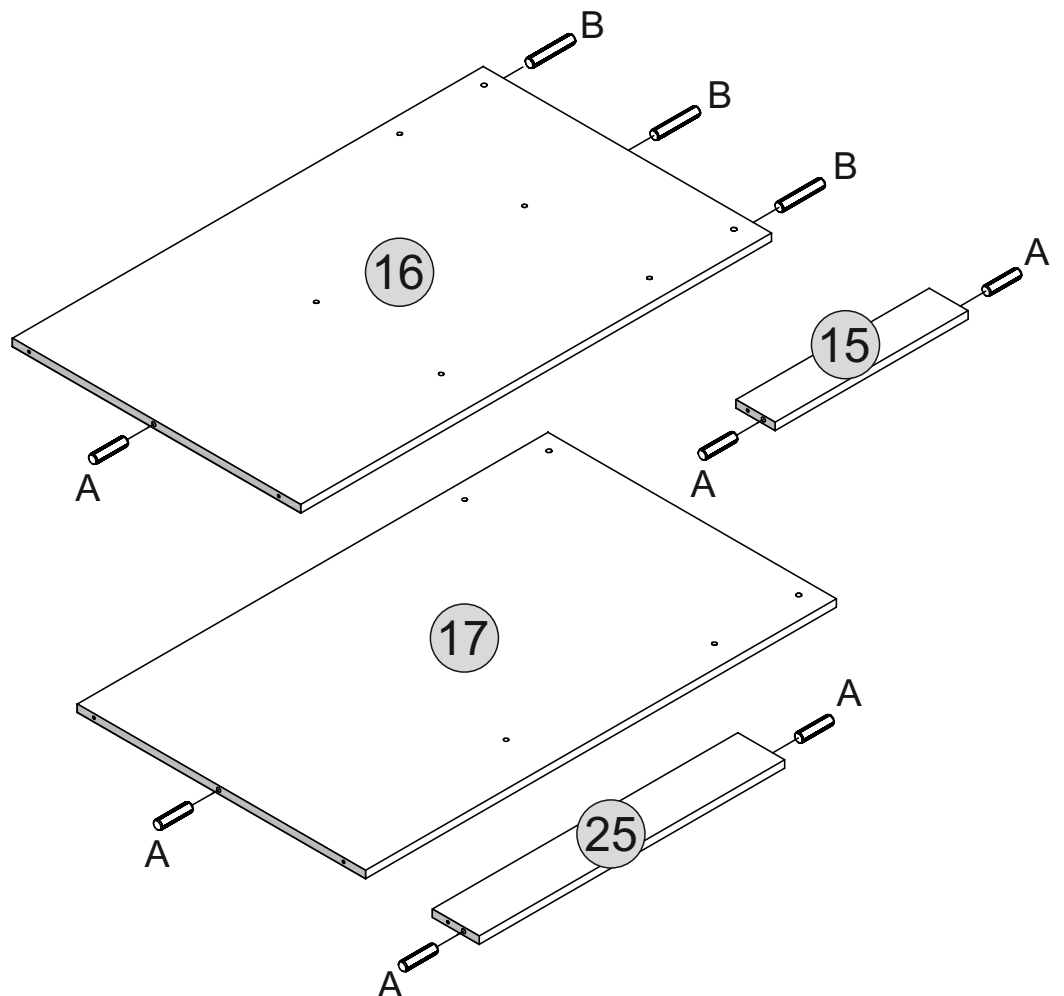
25 - CENTRE BOTTOM SUPPORT x1

HARDWARE REQUIRED

A  06

B  03

TOOLS REQUIRED



STEP 3

PARTS REQUIRED


20 - BACK BOARD SUPPORT x1

24 - CENTRE SUPPORT x1

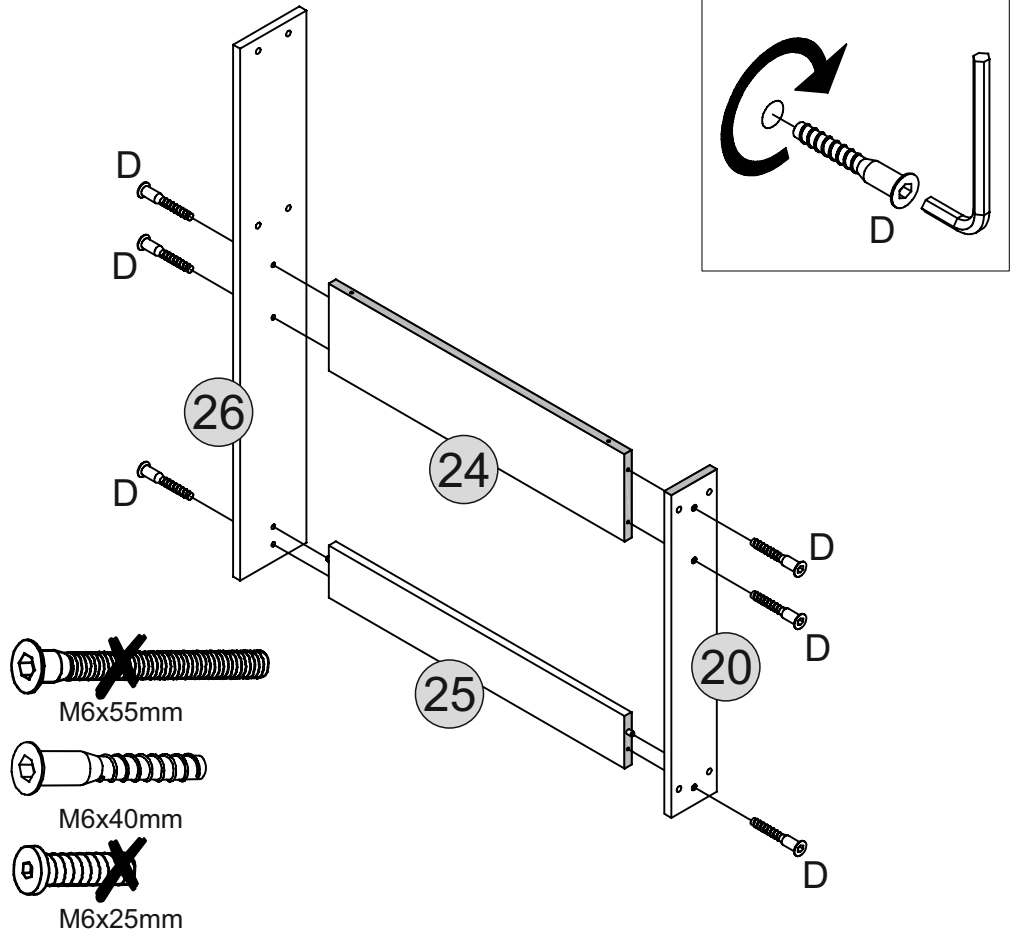
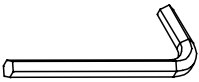
25 - CENTRE BOTTOM SUPPORT x1

26 - SIDE RAIL BACK SUPPORT x1

HARDWARE REQUIRED

D  06

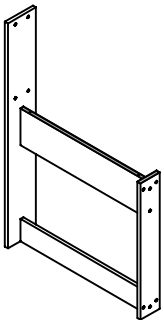
TOOLS REQUIRED



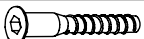
STEP 4

PARTS REQUIRED

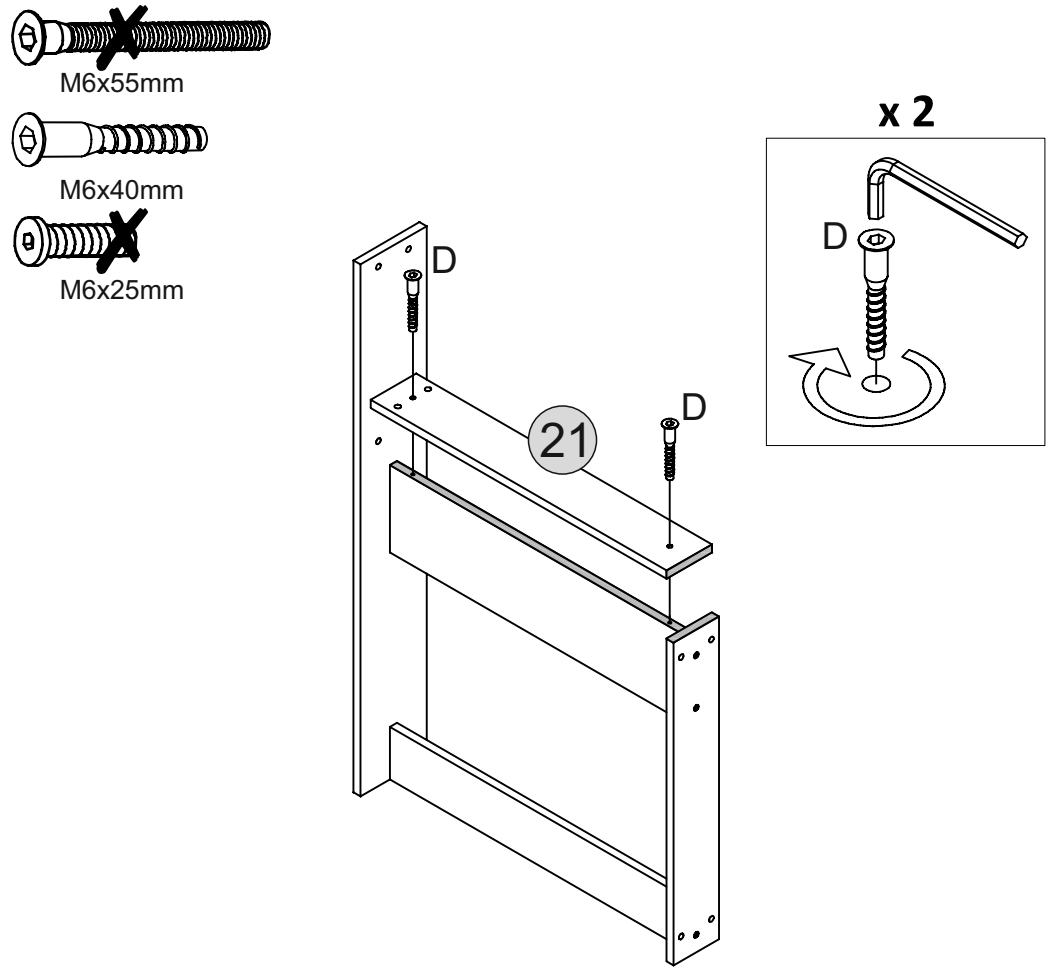
21 - FLOOR SUPPORT x1



HARDWARE REQUIRED

D  02

TOOLS REQUIRED



STEP 5

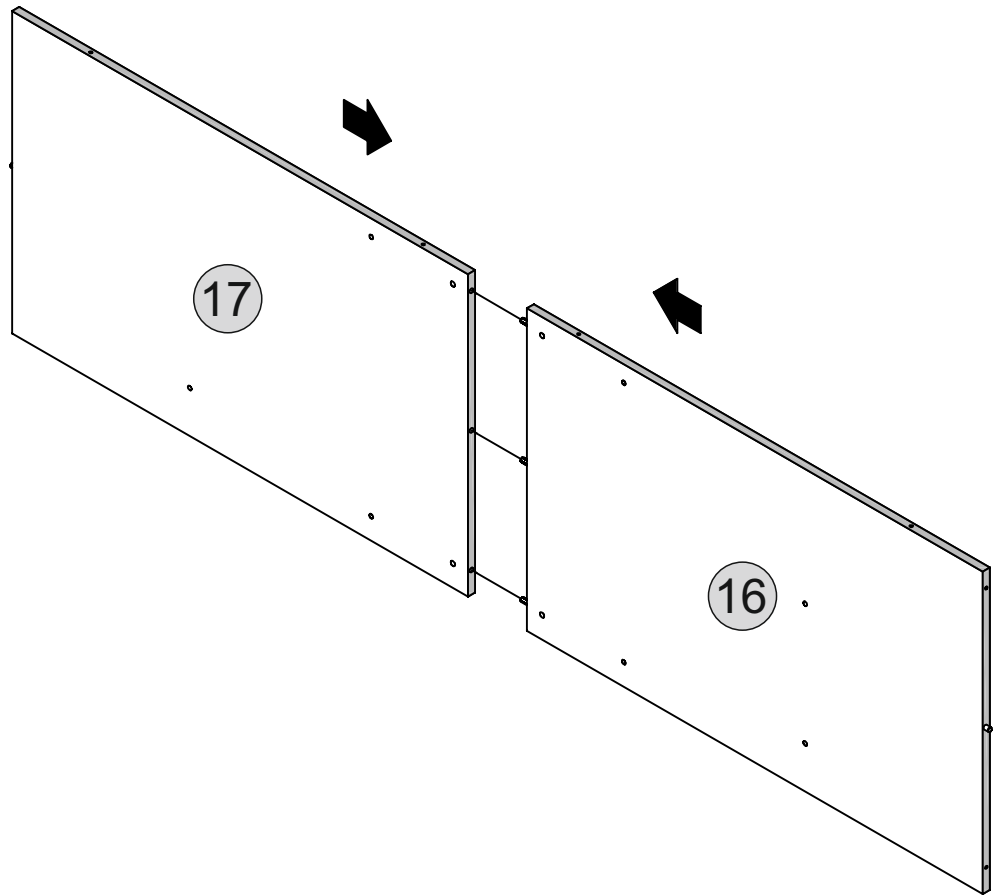
PARTS REQUIRED

16 - BED BOARD (LEFT) x1

17 - BED BOARD (RIGHT) x1

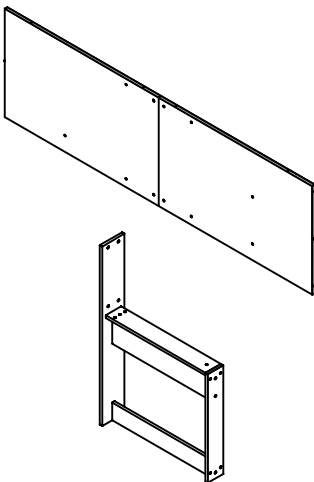
HARDWARE REQUIRED

TOOLS REQUIRED



STEP 6

PARTS REQUIRED

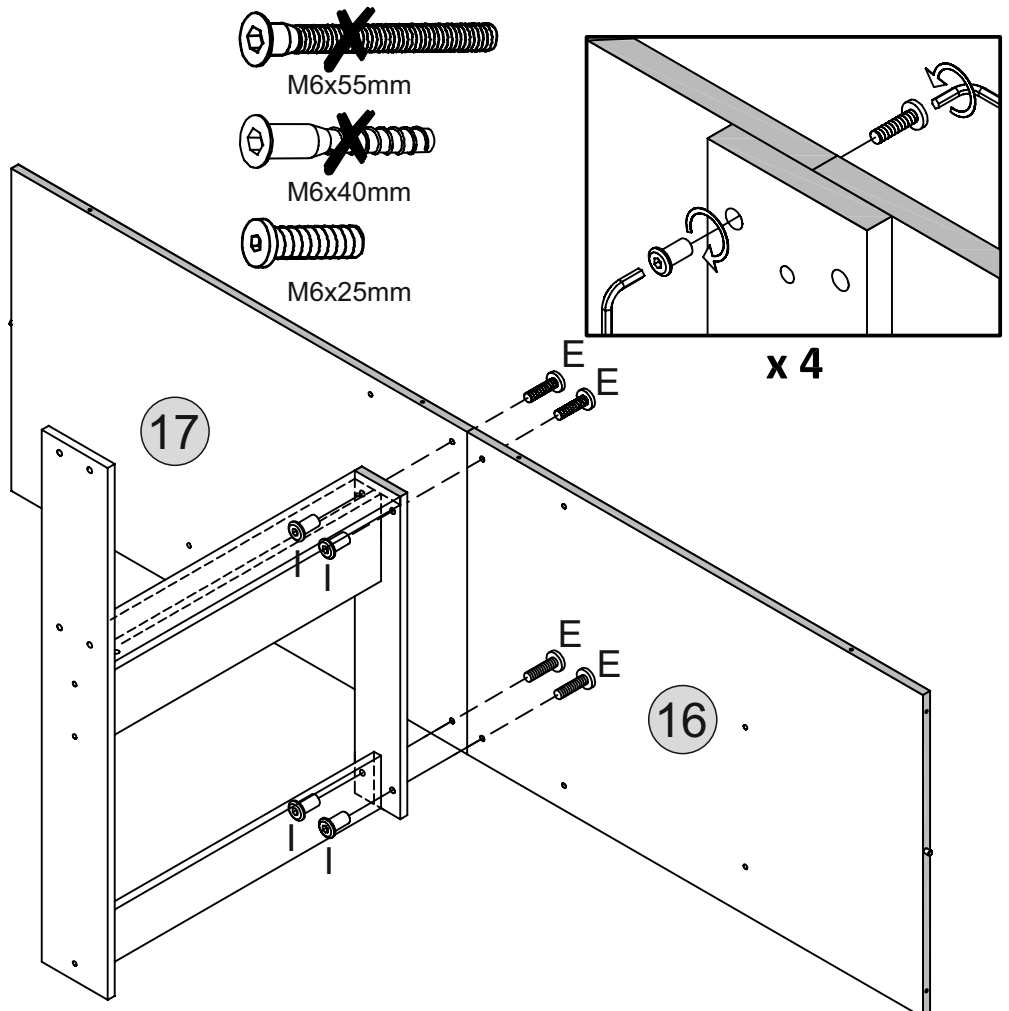


HARDWARE REQUIRED

E  04

I  04

TOOLS REQUIRED



STEP 7

PARTS REQUIRED

12 - LADDER SIDE (LEFT) x1

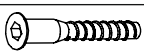
13 - LADDER SIDE (RIGHT) x1

14 - LADDER STEP x1

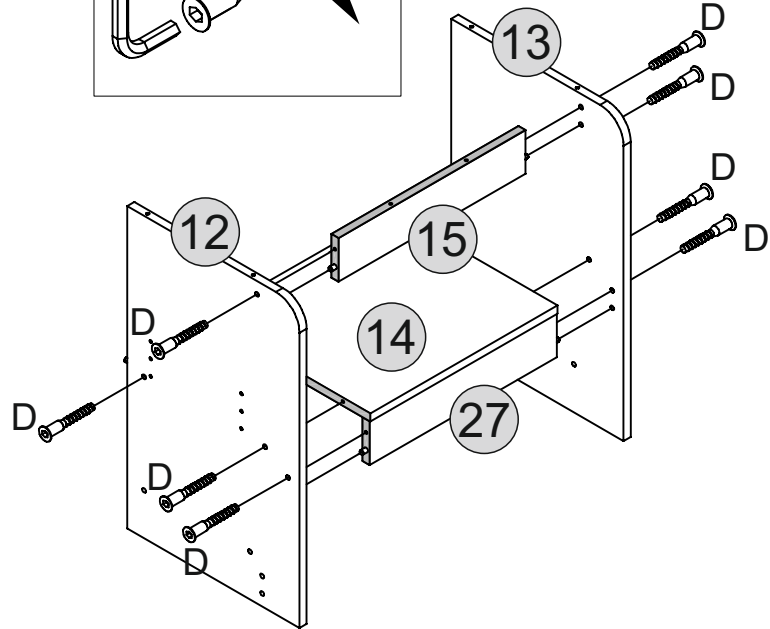
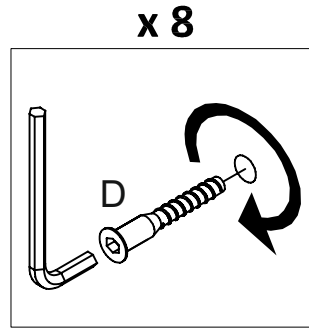
15 - LADDER SUPPORT (TOP) x1

27 - LADDER SUPPORT (BOTTOM)x1

HARDWARE REQUIRED

D  08

TOOLS REQUIRED



STEP 8


PARTS REQUIRED

11 - BOTTOM PANEL (RIGHT) x1

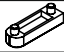
18 - BACK SUPPORT x2

23 - BED BASE PANEL (RIGHT) x1

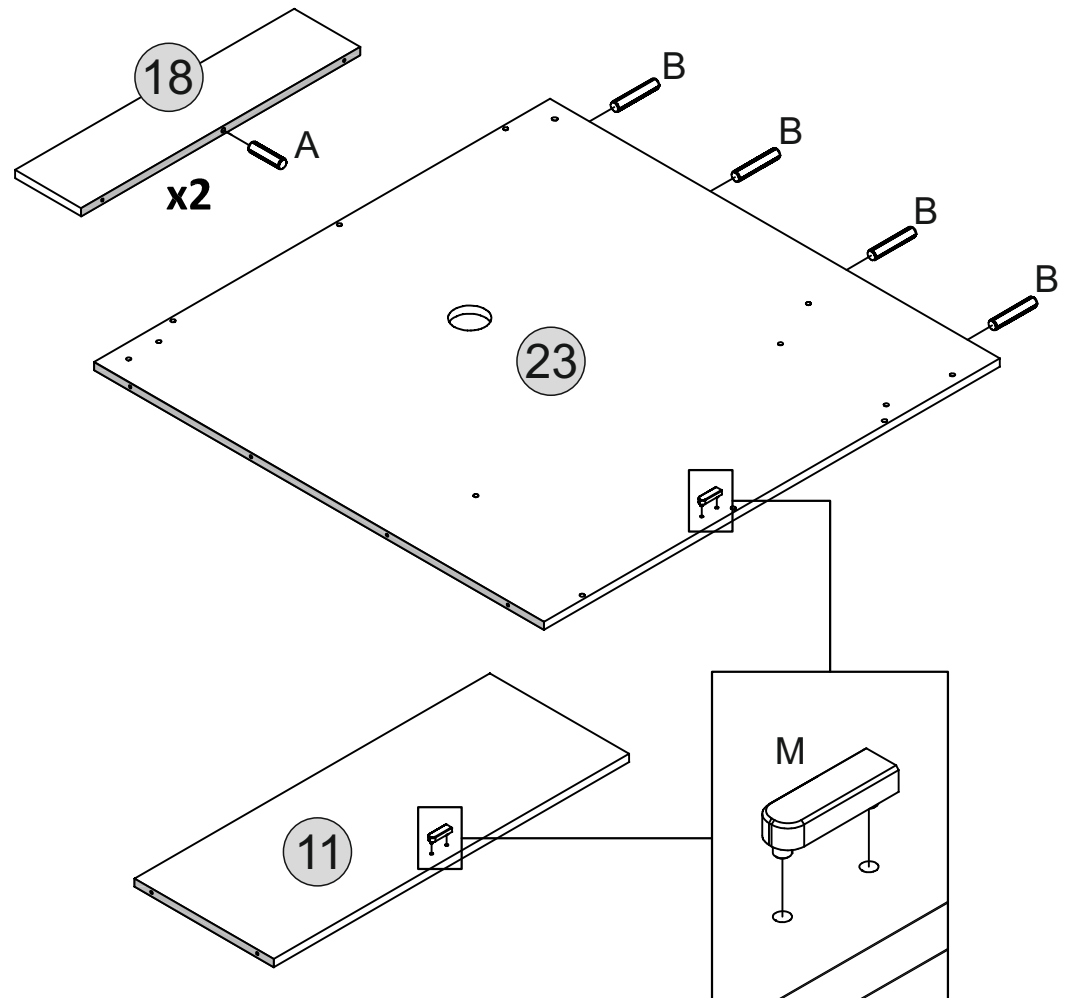
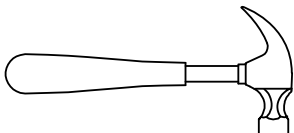
HARDWARE REQUIRED

A  02

B  04

M  02

TOOLS REQUIRED



STEP 9

PARTS REQUIRED

7 - FIXED SHELF PANEL x1

8 - BOTTOM SUPPORT x2

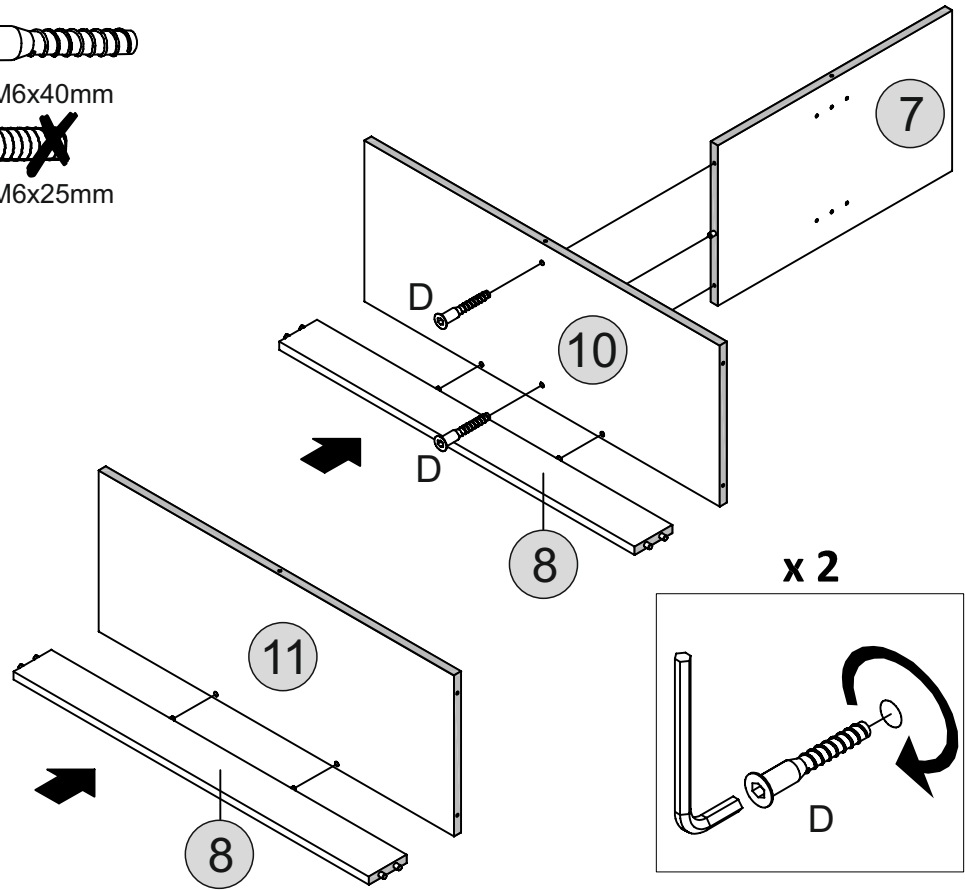
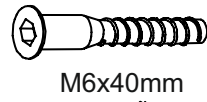
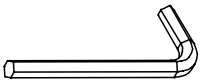
10 - BOTTOM PANEL (LEFT) x1

11 - BOTTOM PANEL (RIGHT) x1

HARDWARE REQUIRED

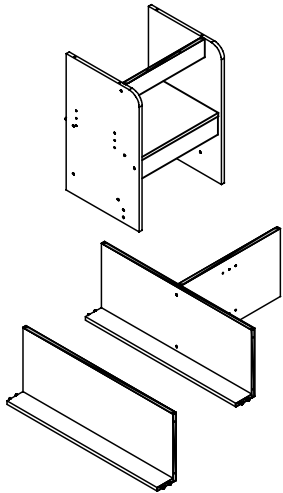
D  02

TOOLS REQUIRED




STEP 10

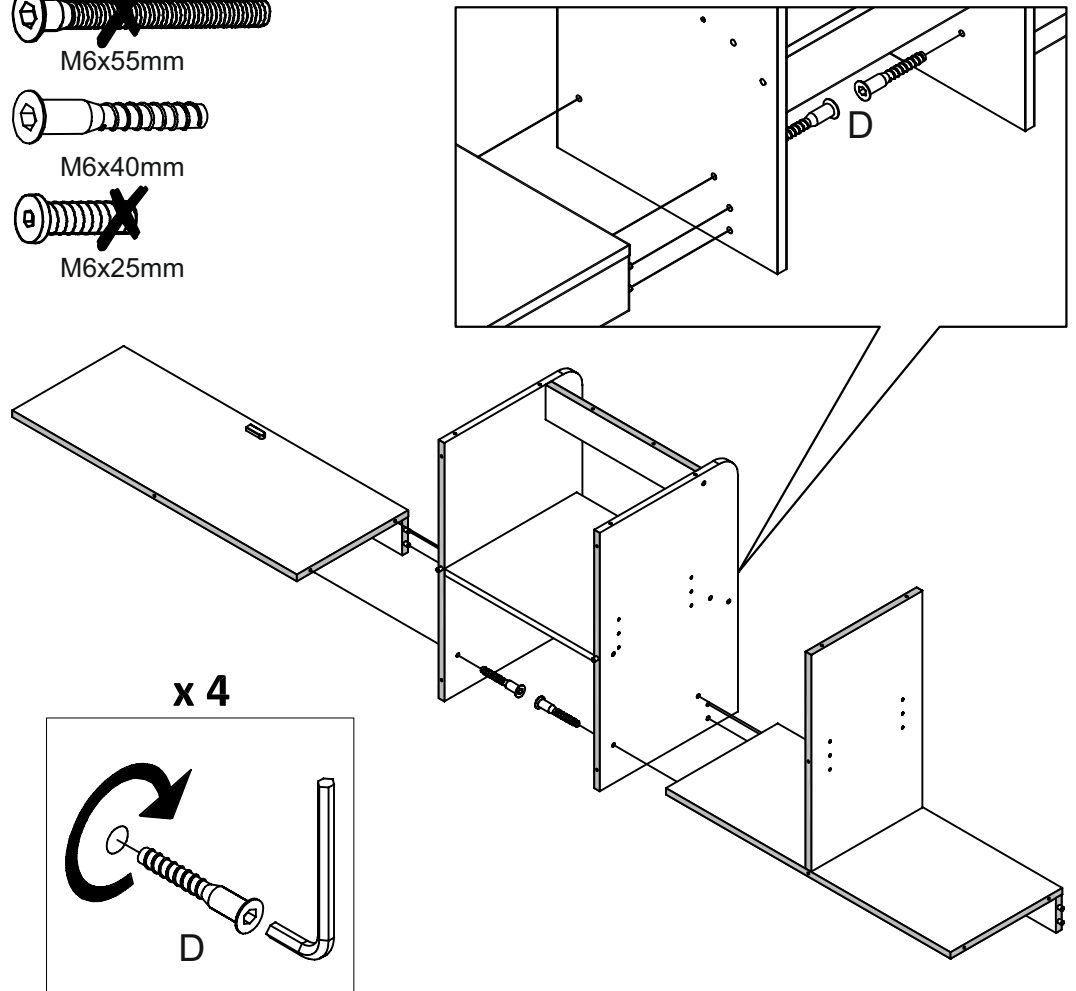
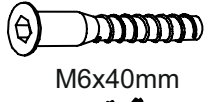
PARTS REQUIRED



HARDWARE REQUIRED

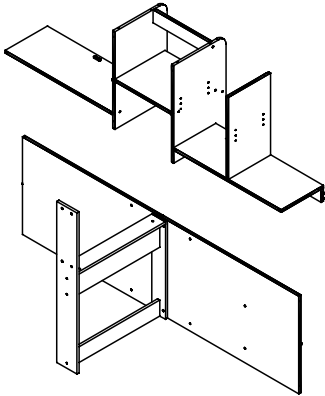
D  04

TOOLS REQUIRED

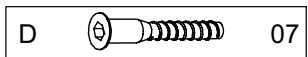


STEP 11

PARTS REQUIRED



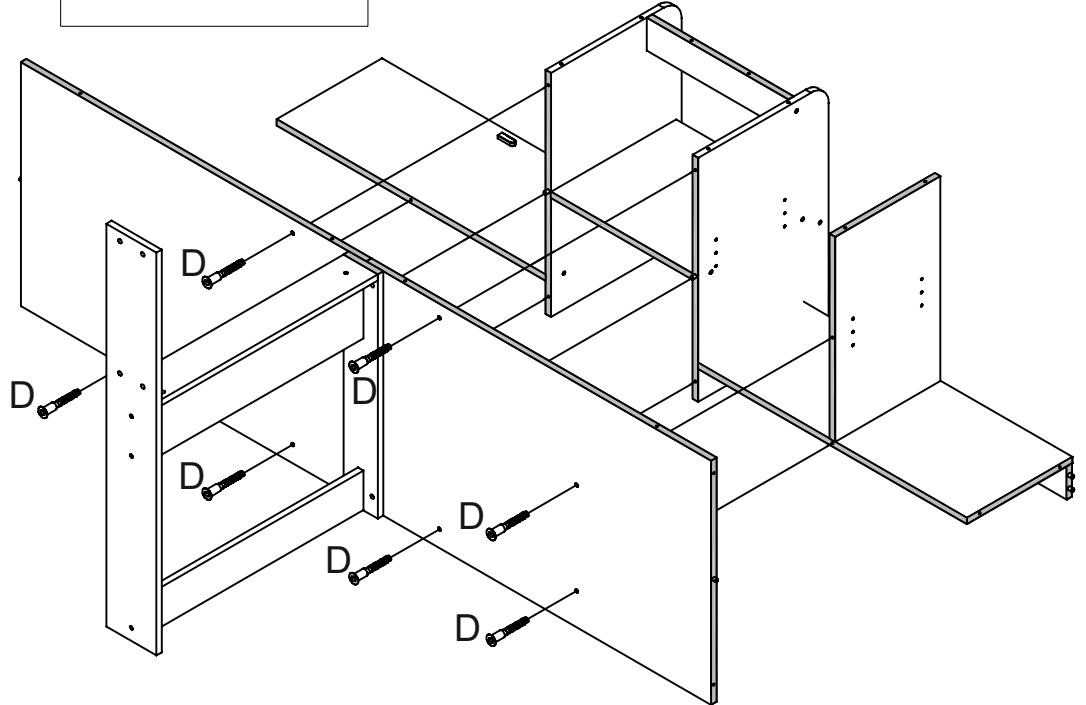
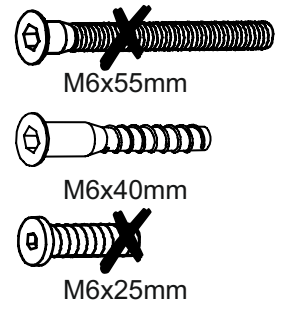
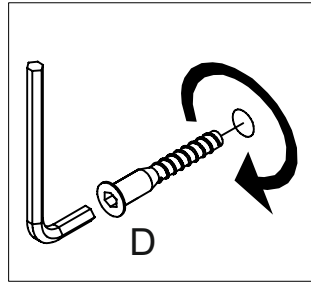
HARDWARE REQUIRED



TOOLS REQUIRED



x 7

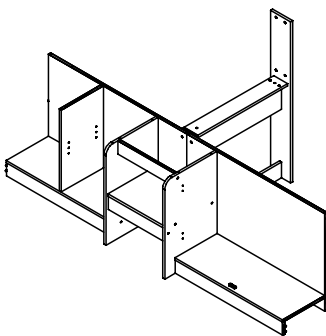


STEP 12

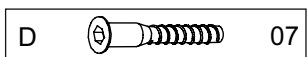
PARTS REQUIRED

18 - BACK SUPPORT x1

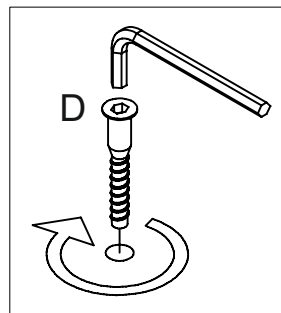
23 - BED BASE PANEL (RIGHT) x1



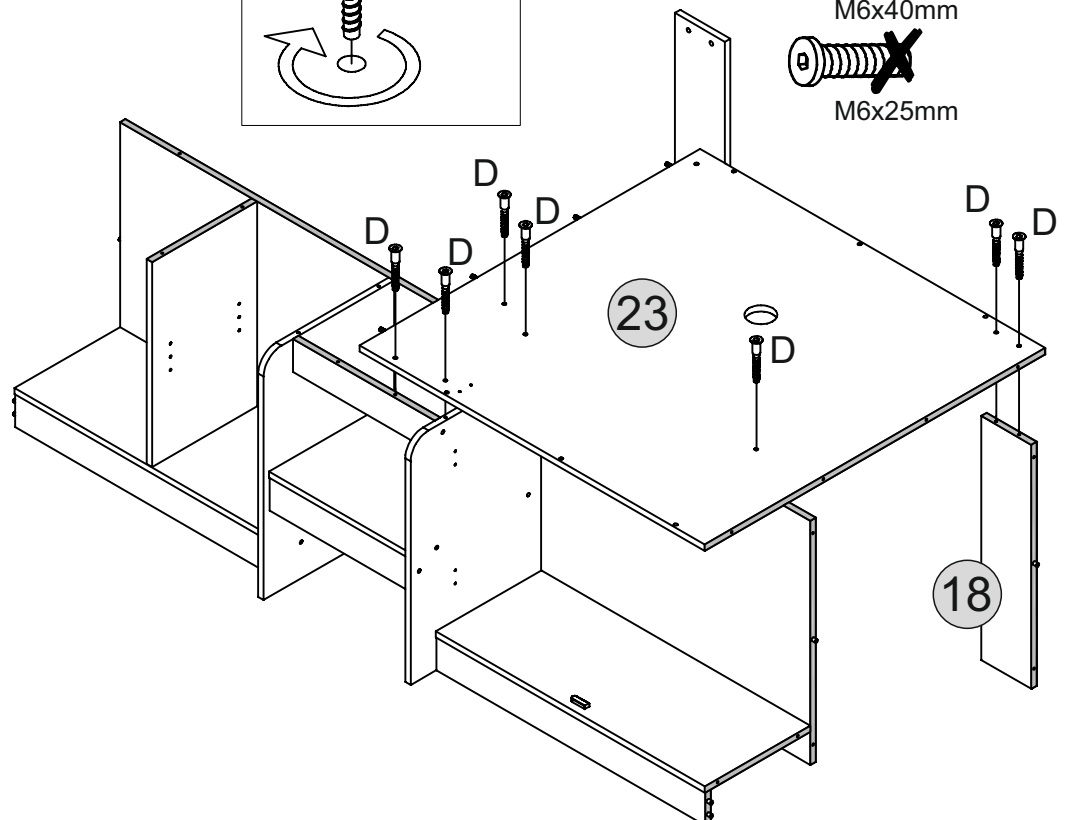
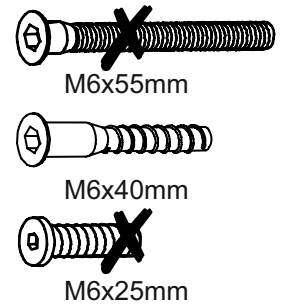
HARDWARE REQUIRED



TOOLS REQUIRED



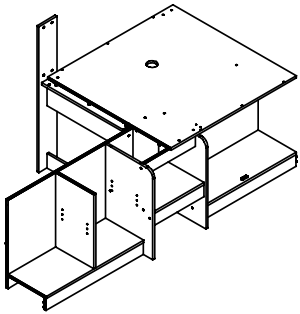
x 7



STEP 13

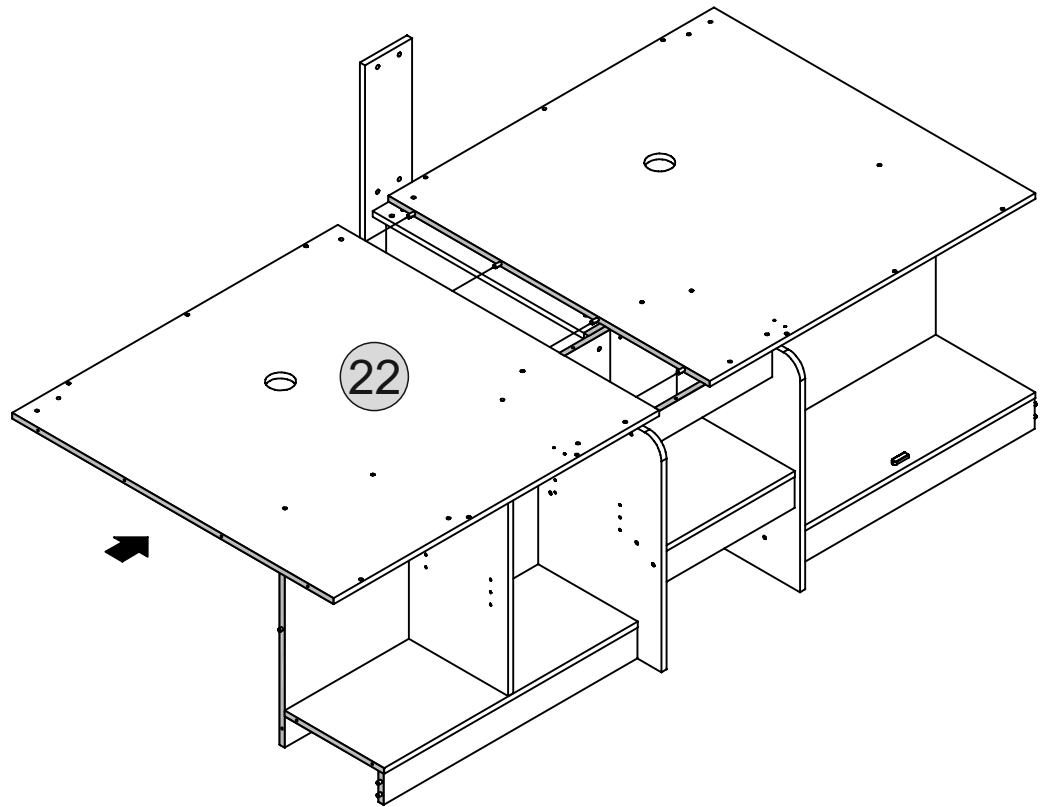
PARTS REQUIRED

22 - BED BASE PANEL (LEFT) x1



HARDWARE REQUIRED

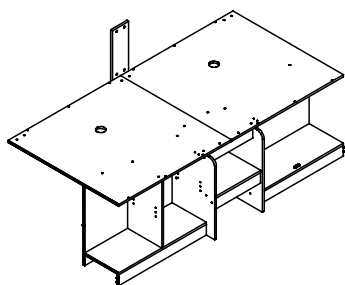
TOOLS REQUIRED



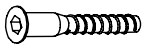
STEP 14

PARTS REQUIRED

18 - BACK SUPPORT x1



HARDWARE REQUIRED

D  09

TOOLS REQUIRED



M6x55mm

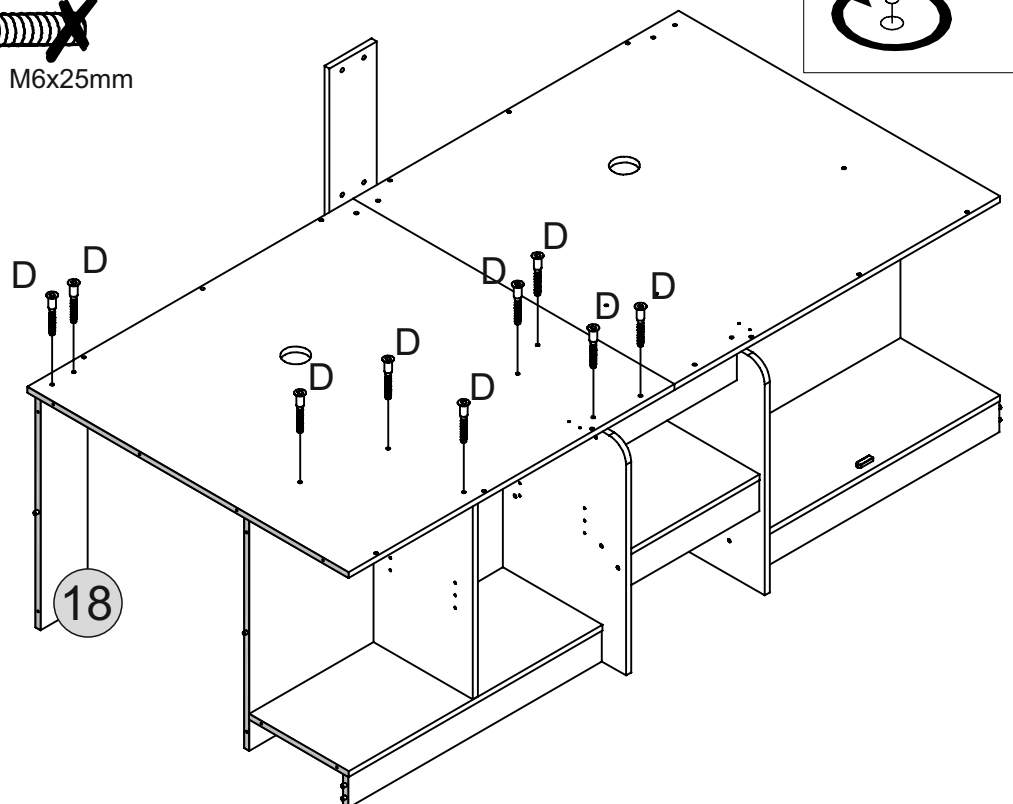
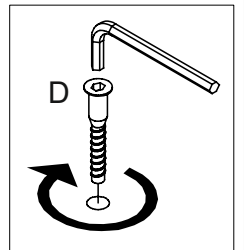


M6x40mm



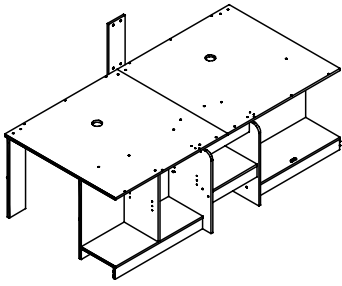
M6x25mm

x 9

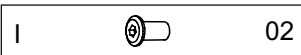
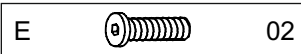


STEP 15

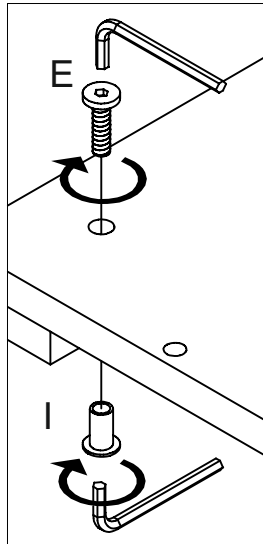
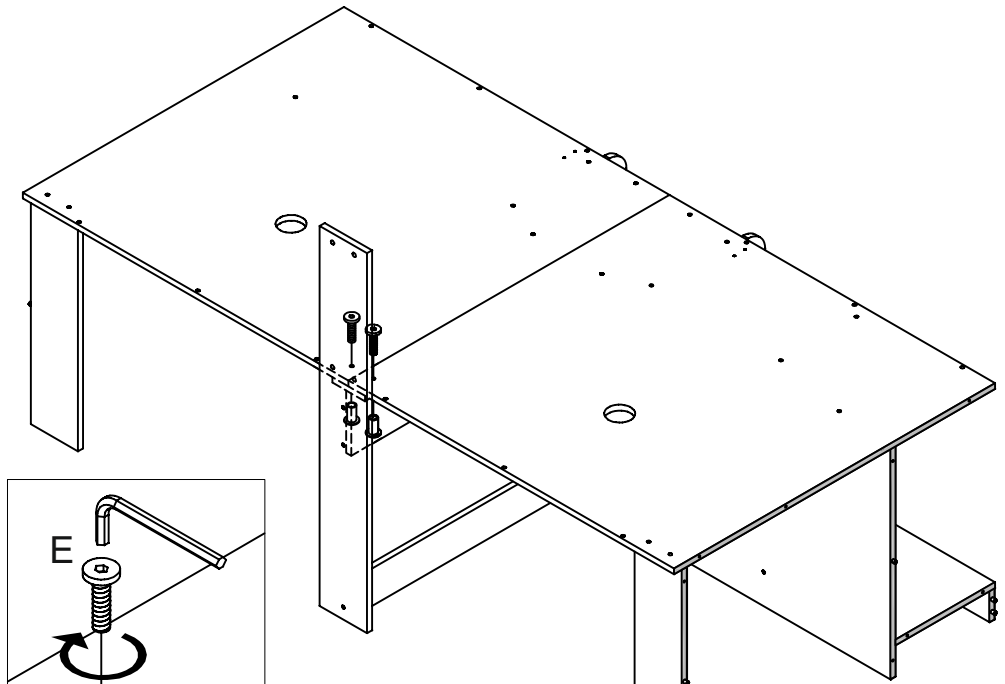
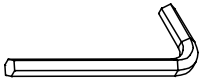
PARTS REQUIRED



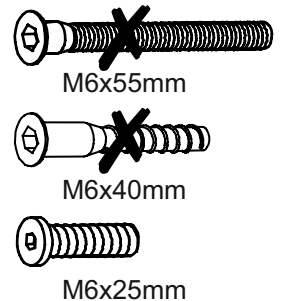
HARDWARE REQUIRED



TOOLS REQUIRED

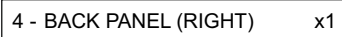
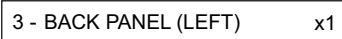


x 2

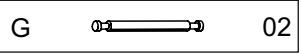
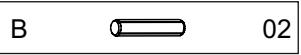
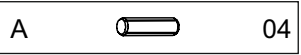


STEP 16

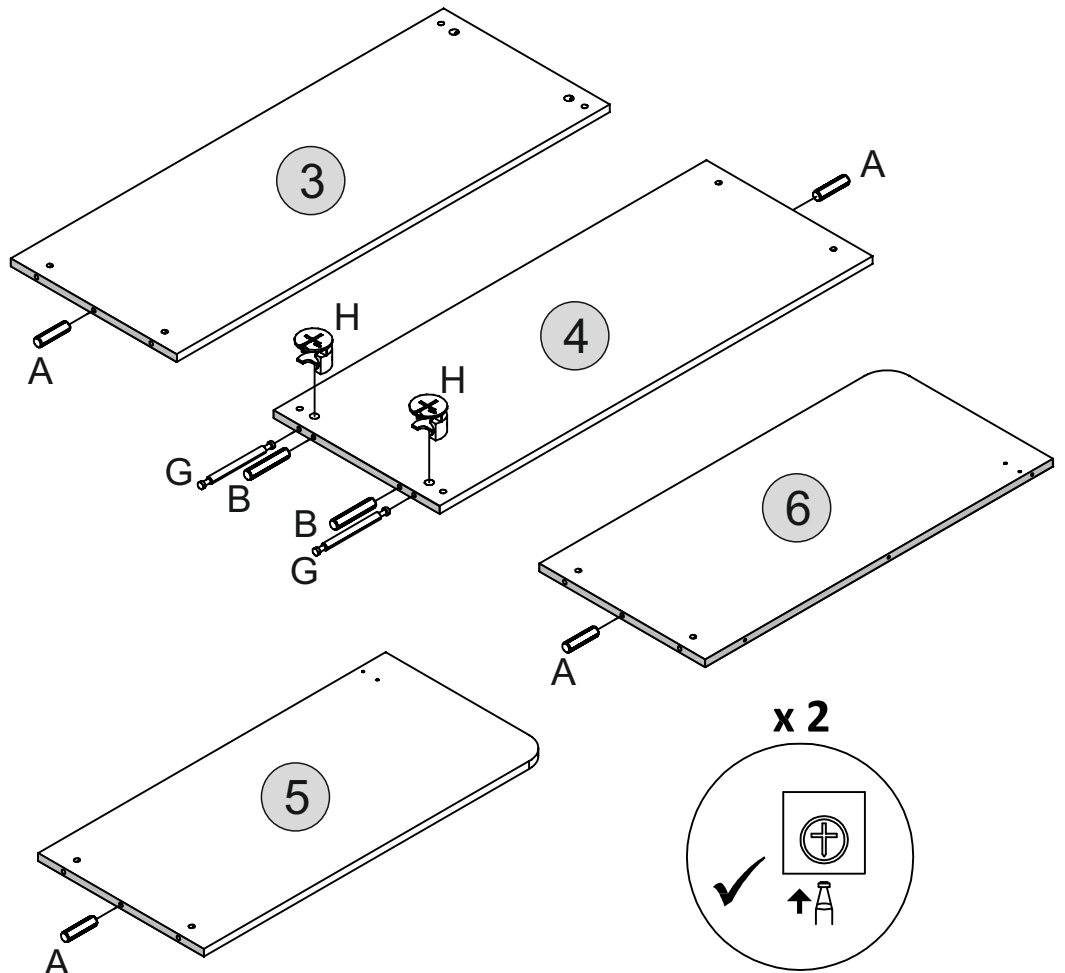
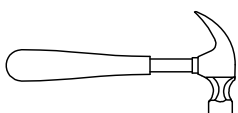
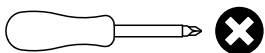
PARTS REQUIRED



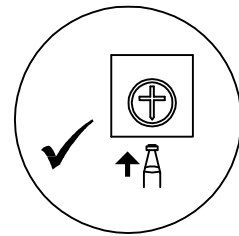
HARDWARE REQUIRED



TOOLS REQUIRED



x 2



STEP 17

PARTS REQUIRED

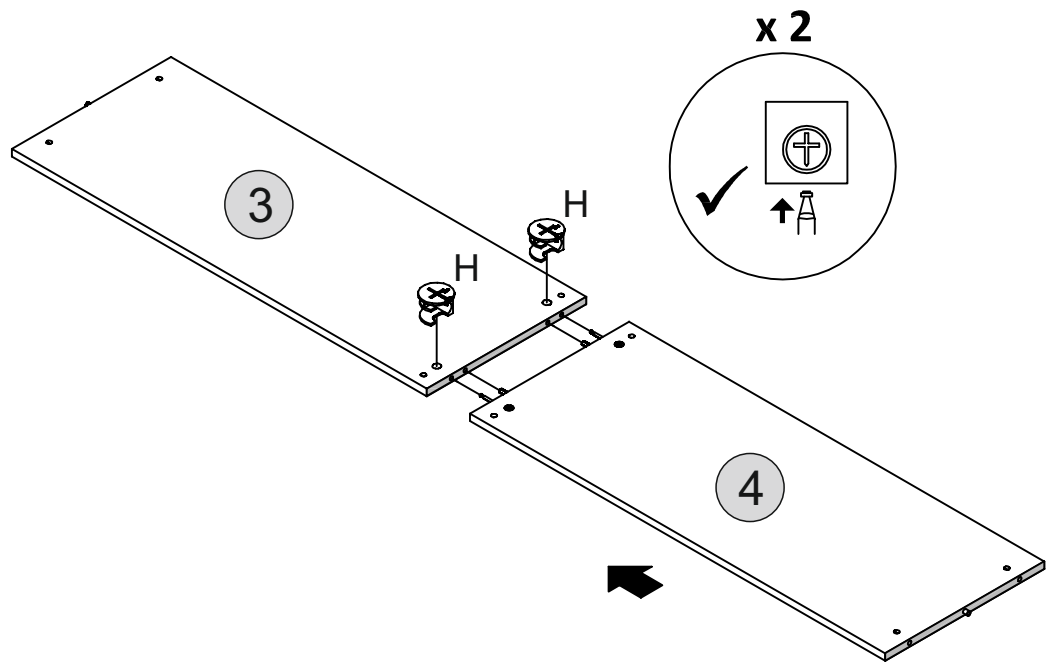
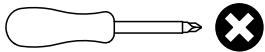
3 - BACK PANEL (LEFT) x1

4 - BACK PANEL (RIGHT) x1

HARDWARE REQUIRED

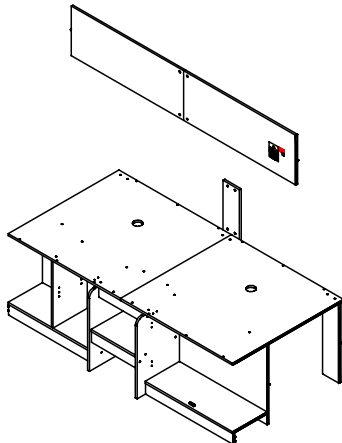
H  02

TOOLS REQUIRED




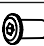
STEP 18

PARTS REQUIRED

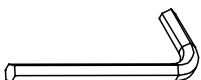


HARDWARE REQUIRED

E  04

I  04

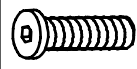
TOOLS REQUIRED



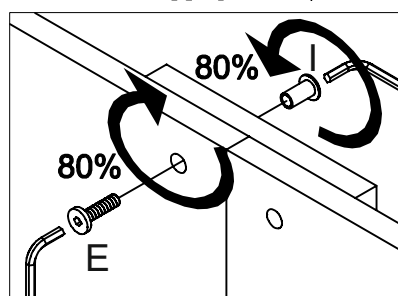
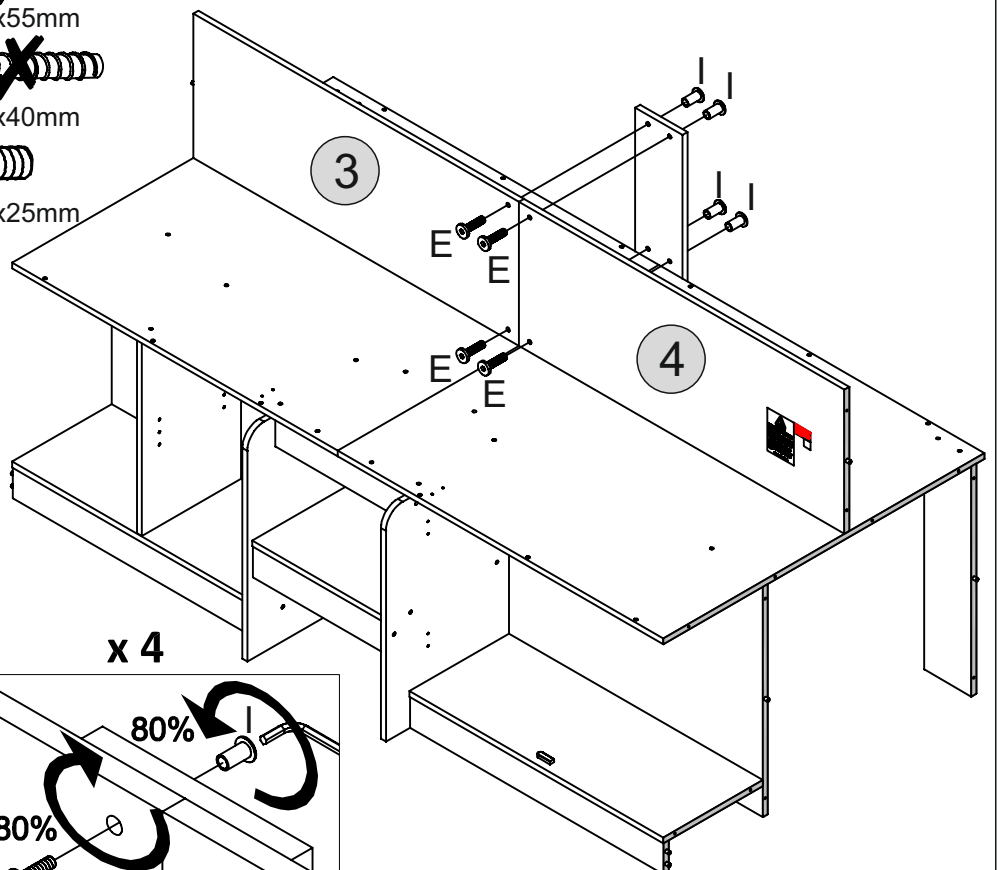
M6x55mm



M6x40mm



M6x25mm

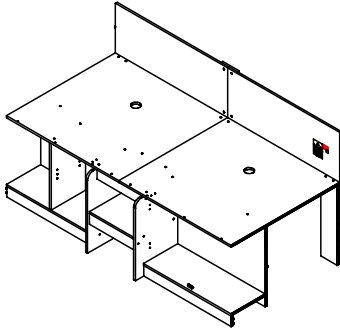


DO NOT FULLY TIGHTEN THE BOLTS AT THIS STAGE !!

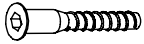
STEP 19

PARTS REQUIRED

2 - SIDE PANEL (RIGHT) x1



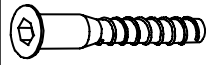
HARDWARE REQUIRED

D  10

TOOLS REQUIRED



M6x55mm

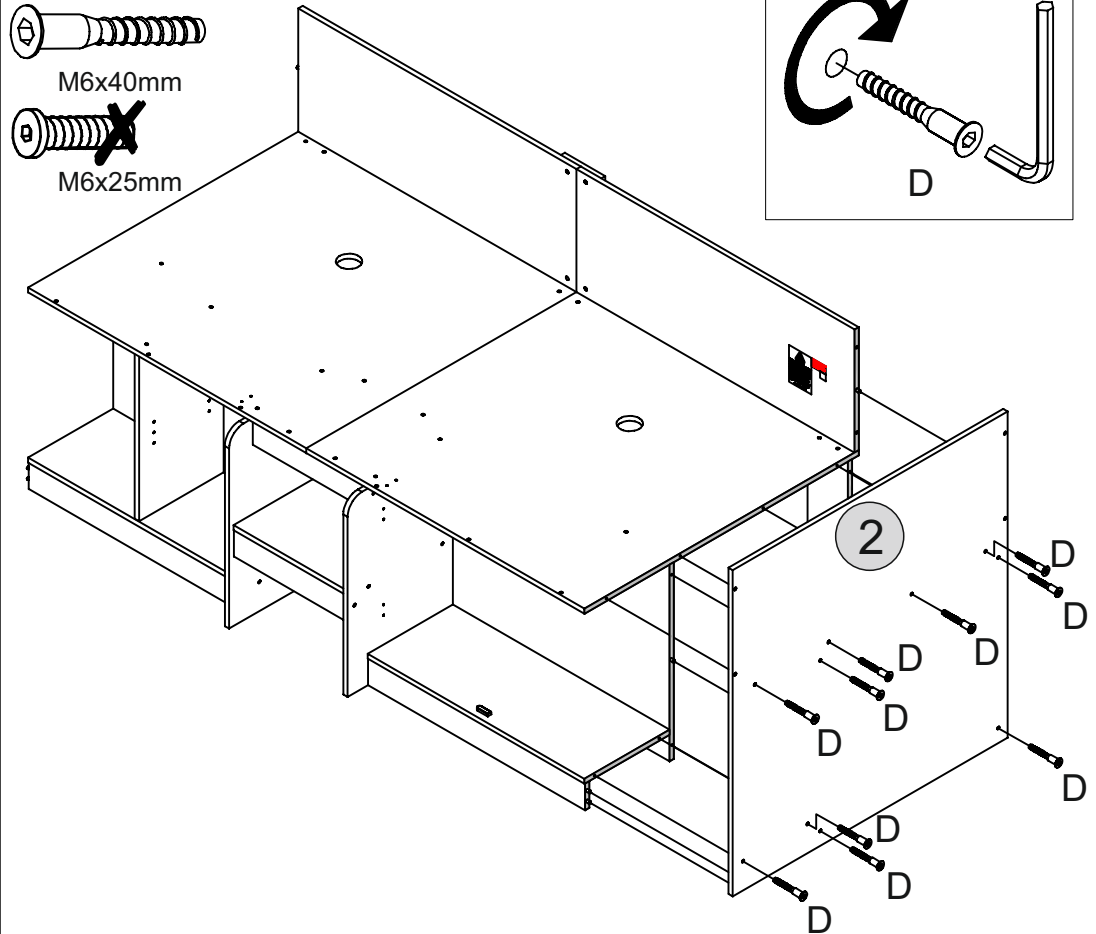
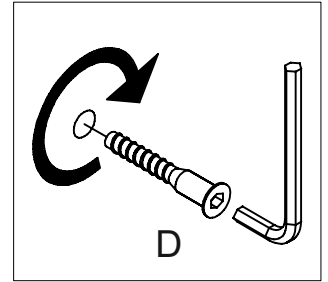


M6x40mm



M6x25mm

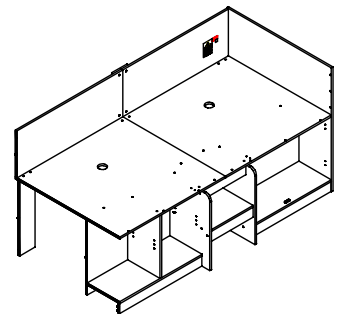
x 10



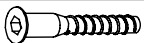
STEP 20

PARTS REQUIRED

1 - SIDE PANEL (LEFT) x1



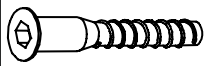
HARDWARE REQUIRED

D  10

TOOLS REQUIRED



M6x55mm

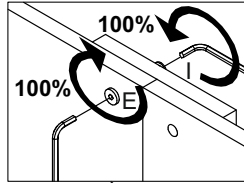


M6x40mm

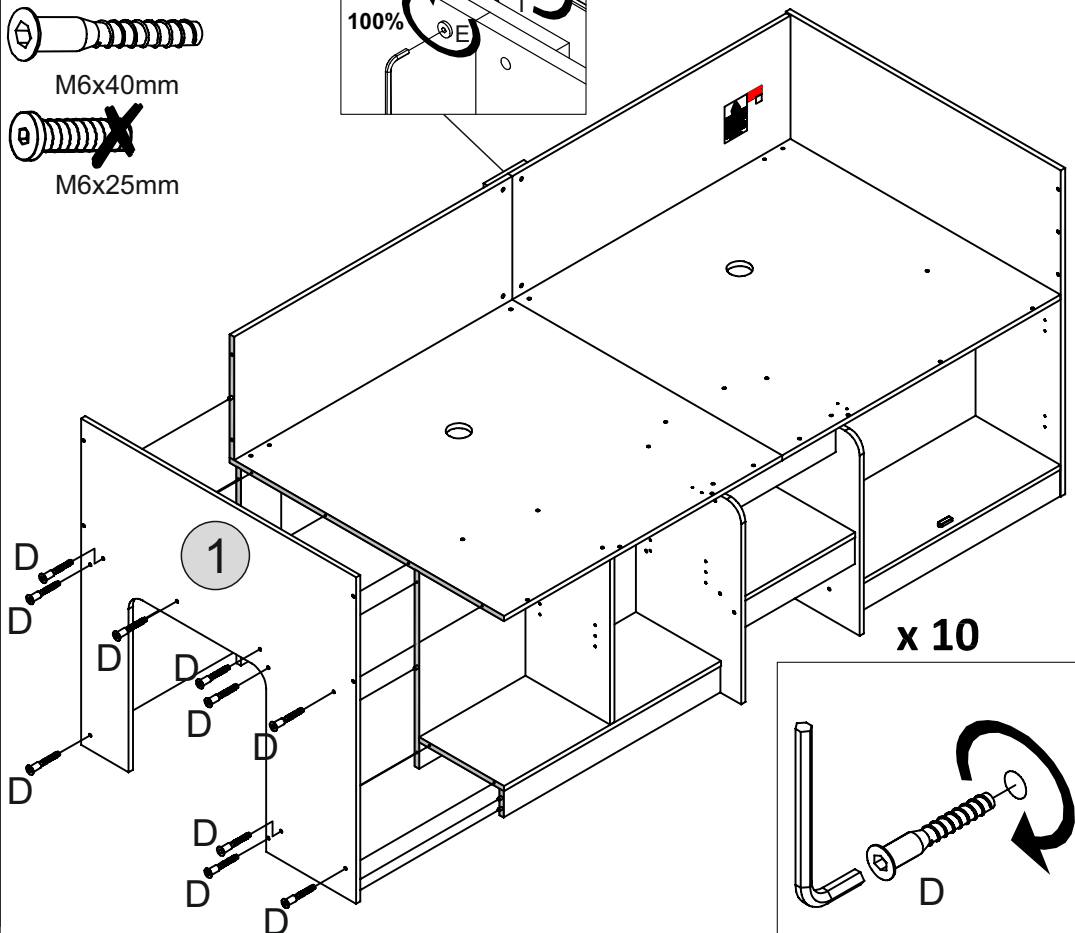


M6x25mm

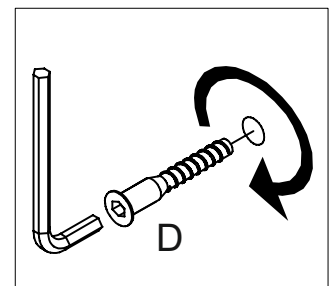
x 4



PLEASE FULLY TIGHTEN THESE BOLTS AT THIS STAGE !!

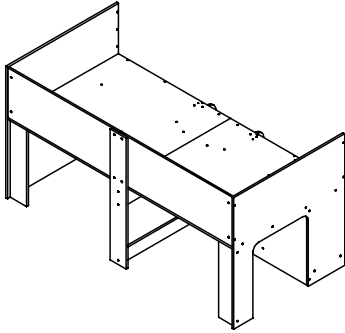


x 10

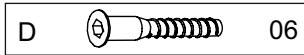


STEP 21

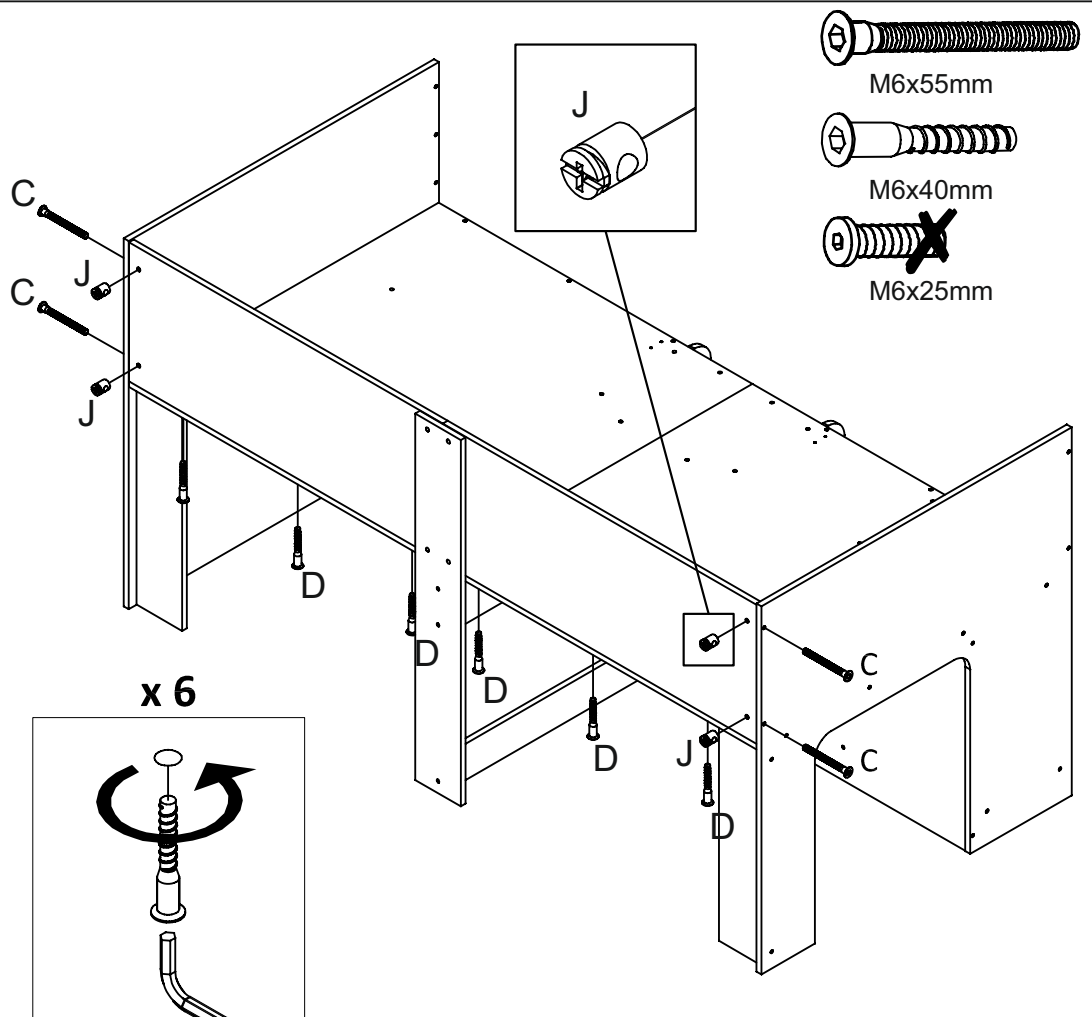
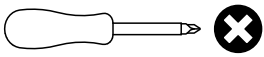
PARTS REQUIRED



HARDWARE REQUIRED



TOOLS REQUIRED



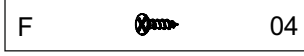
STEP 22

PARTS REQUIRED

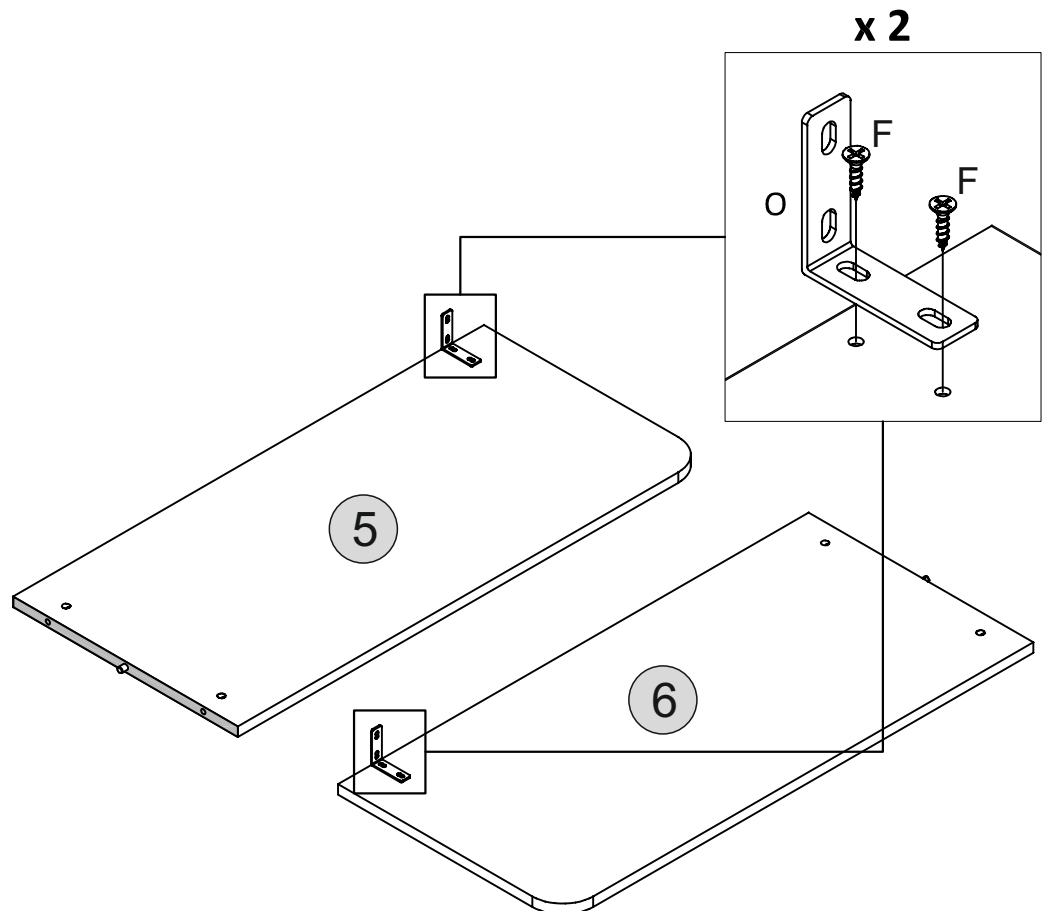
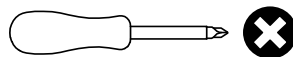
5 - FRONT SIDE RAIL (LEFT) x1

6 - FRONT SIDE RAIL (RIGHT) x1

HARDWARE REQUIRED

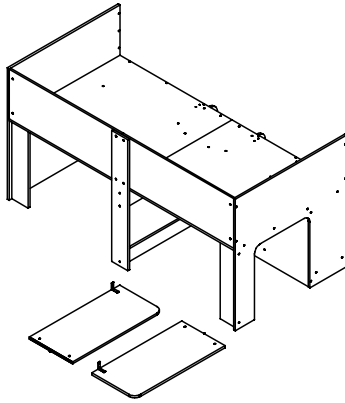


TOOLS REQUIRED



STEP 23

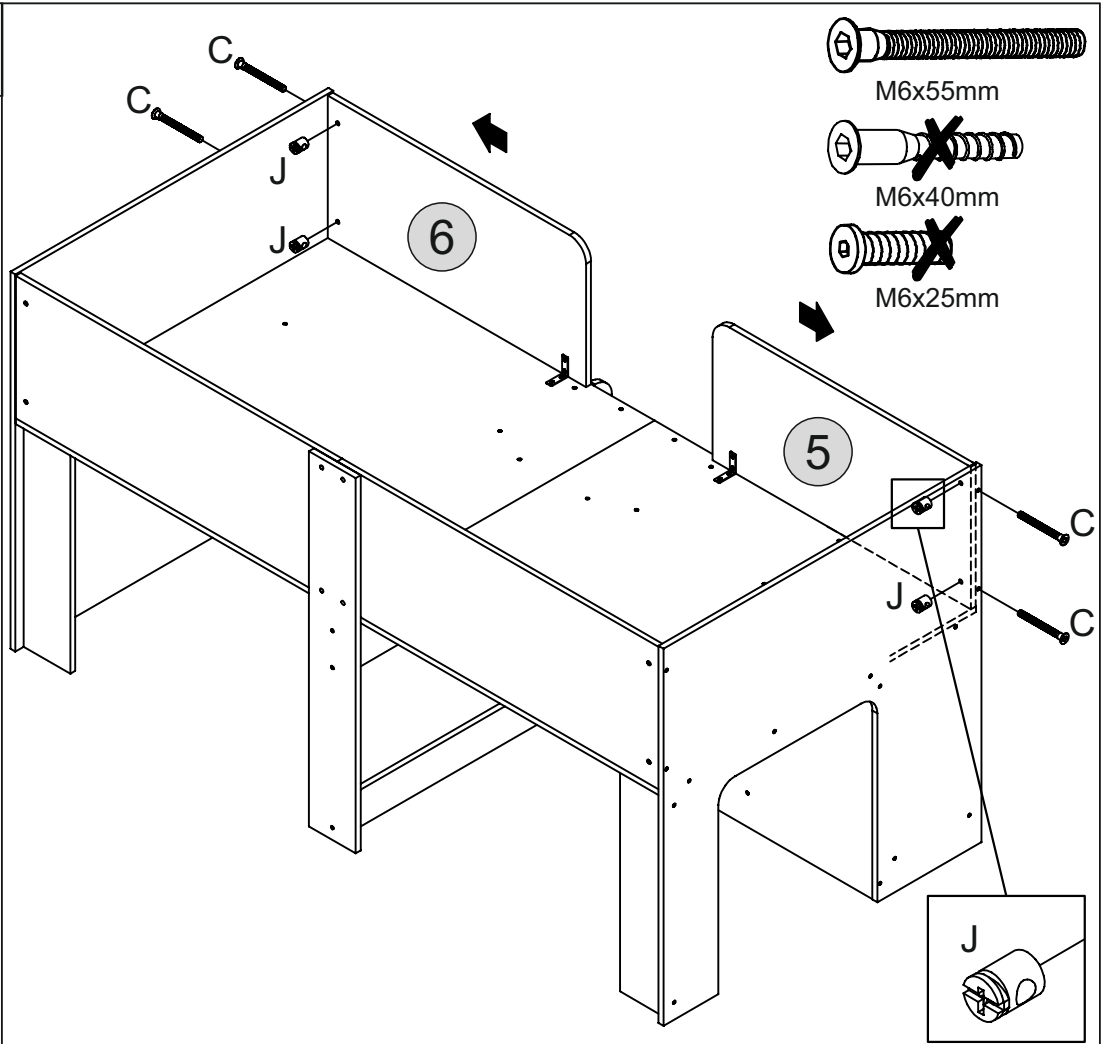
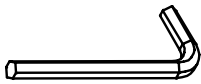
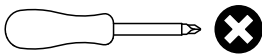
PARTS REQUIRED



HARDWARE REQUIRED

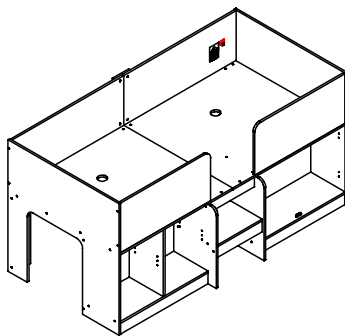


TOOLS REQUIRED

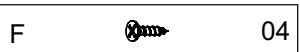
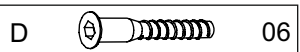


STEP 24

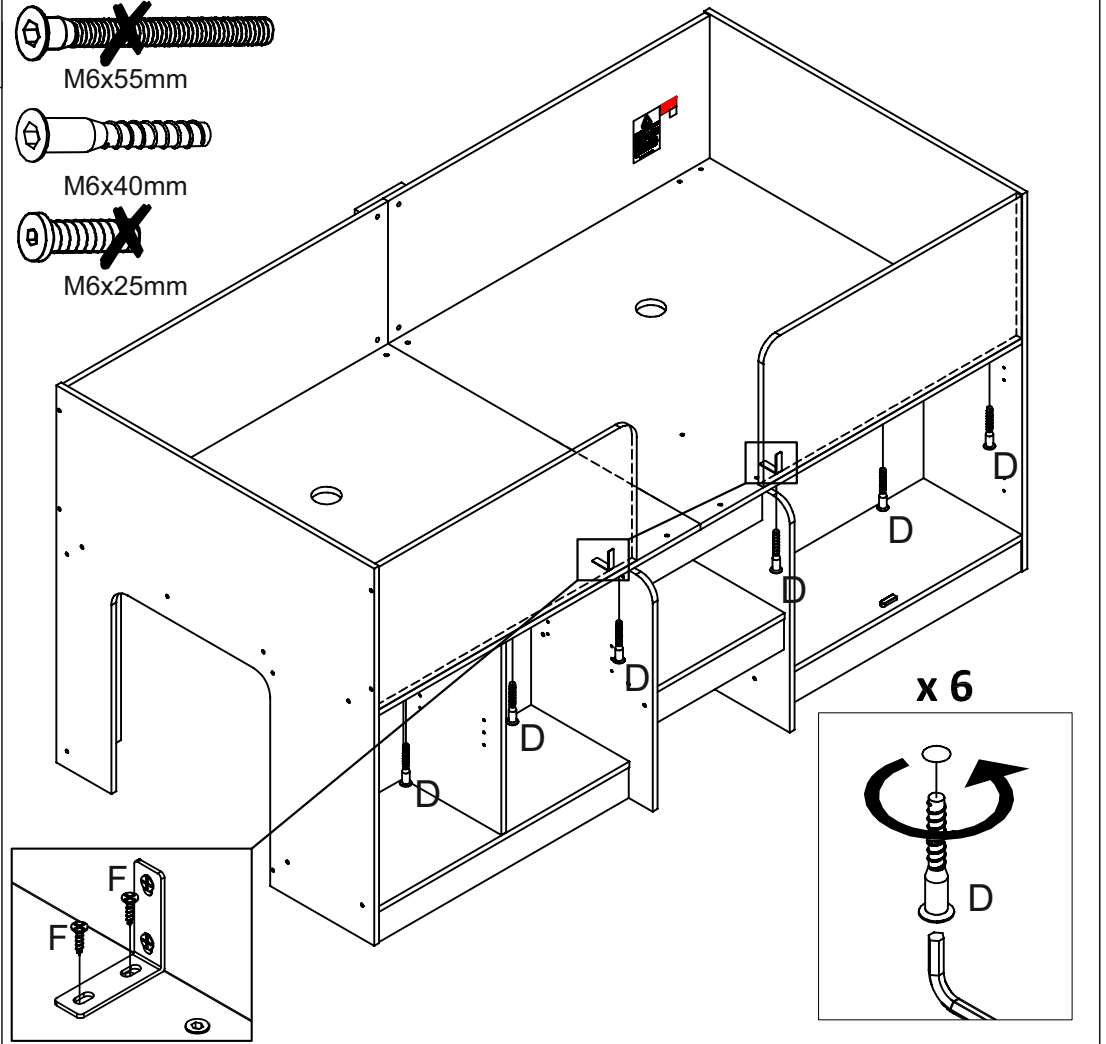
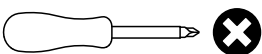
PARTS REQUIRED



HARDWARE REQUIRED



TOOLS REQUIRED



STEP 25

PARTS REQUIRED

19 - DOOR x2

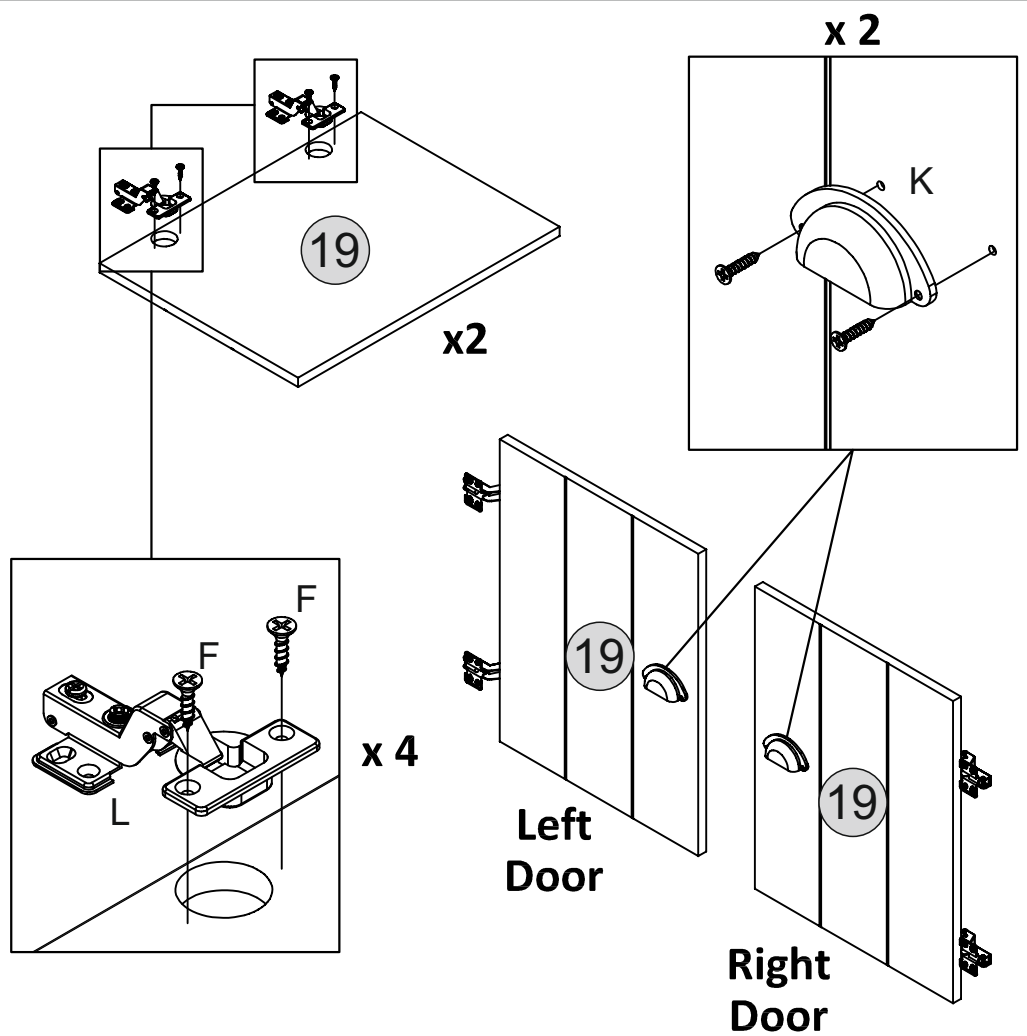
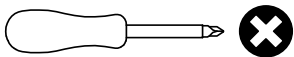
HARDWARE REQUIRED

F  08

K  02

L  04

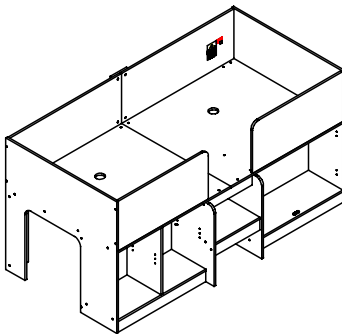
TOOLS REQUIRED



STEP 26

PARTS REQUIRED

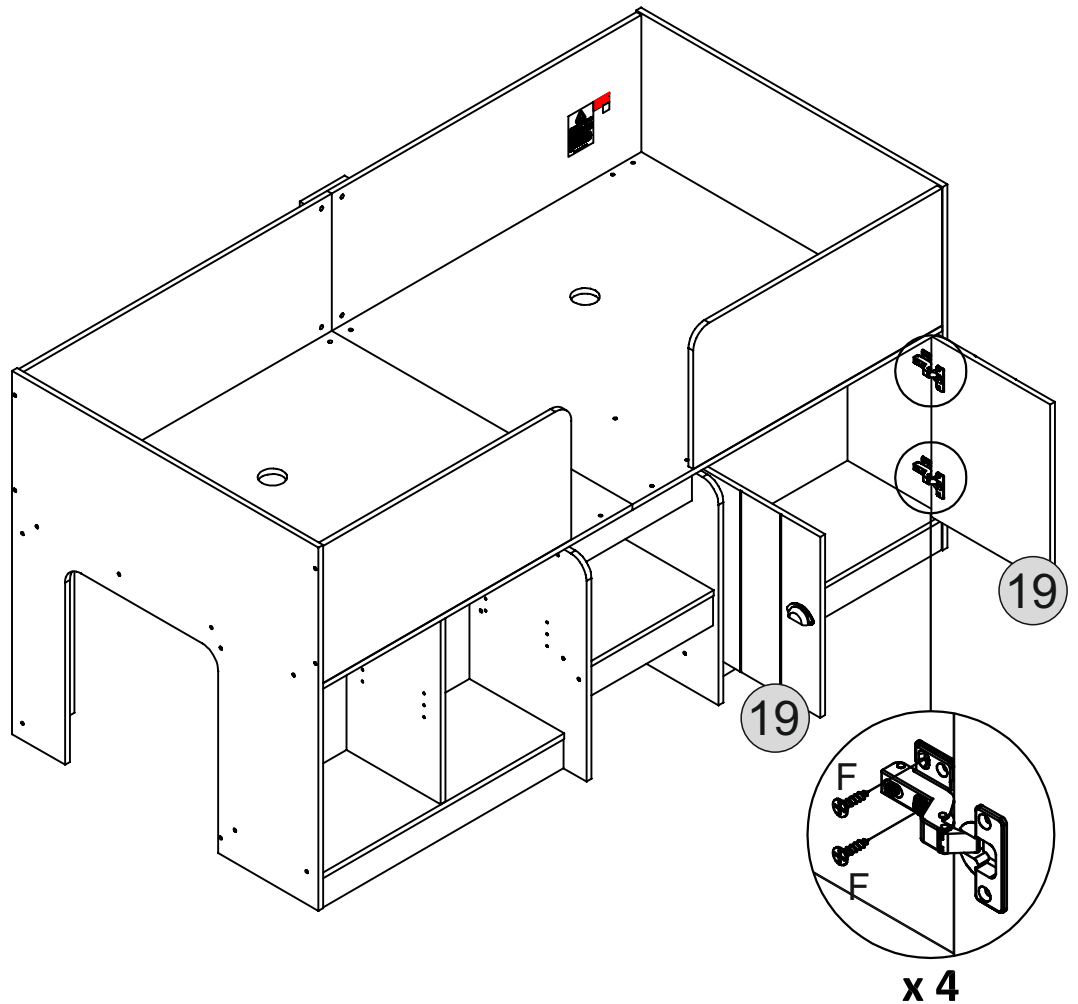
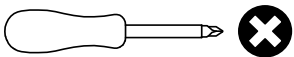
19 - DOOR x2



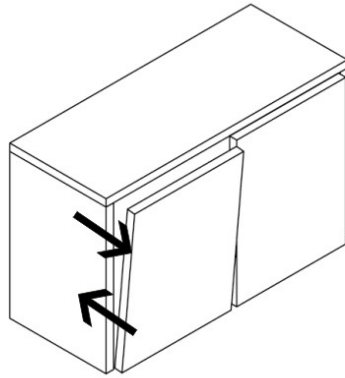
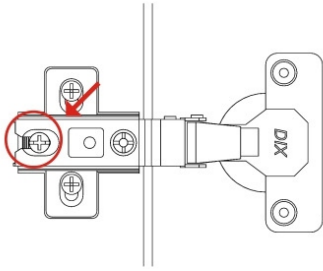
HARDWARE REQUIRED

F  08

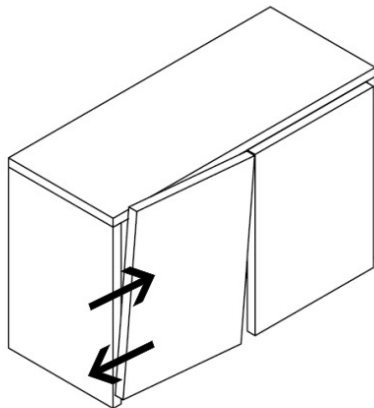
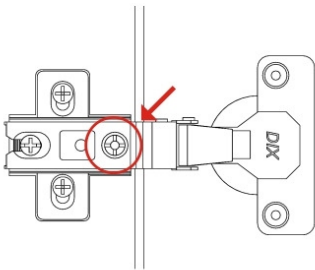
TOOLS REQUIRED



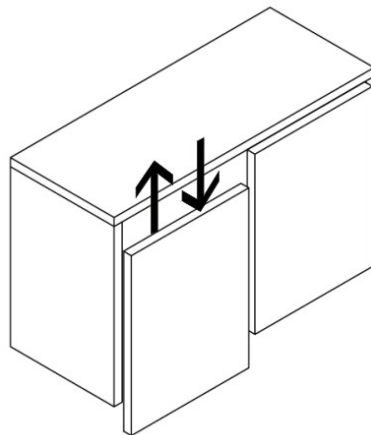
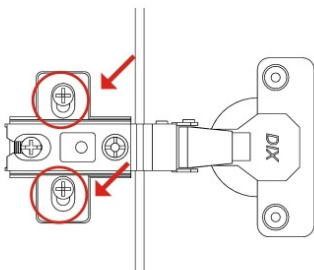
Adjusting Possibilities



Depth Adjustment
after loosening the hinge
arm mounting screw



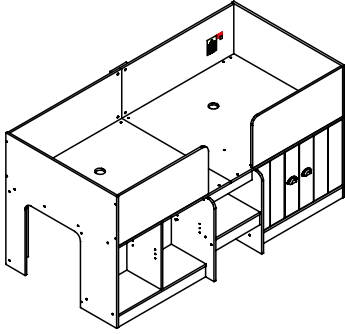
Lateral Adjustment
by adjusting screw



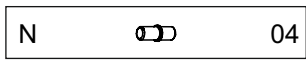
Vertical Adjustment
via mounting plate (via
slots or, if in two pieces,
via screw)

STEP 27

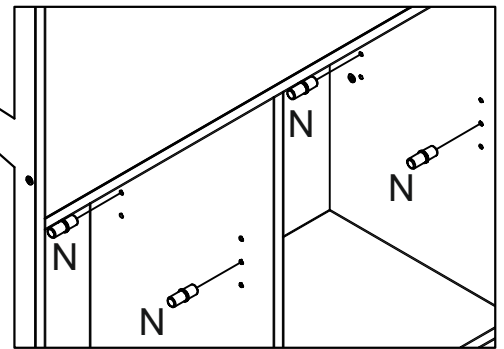
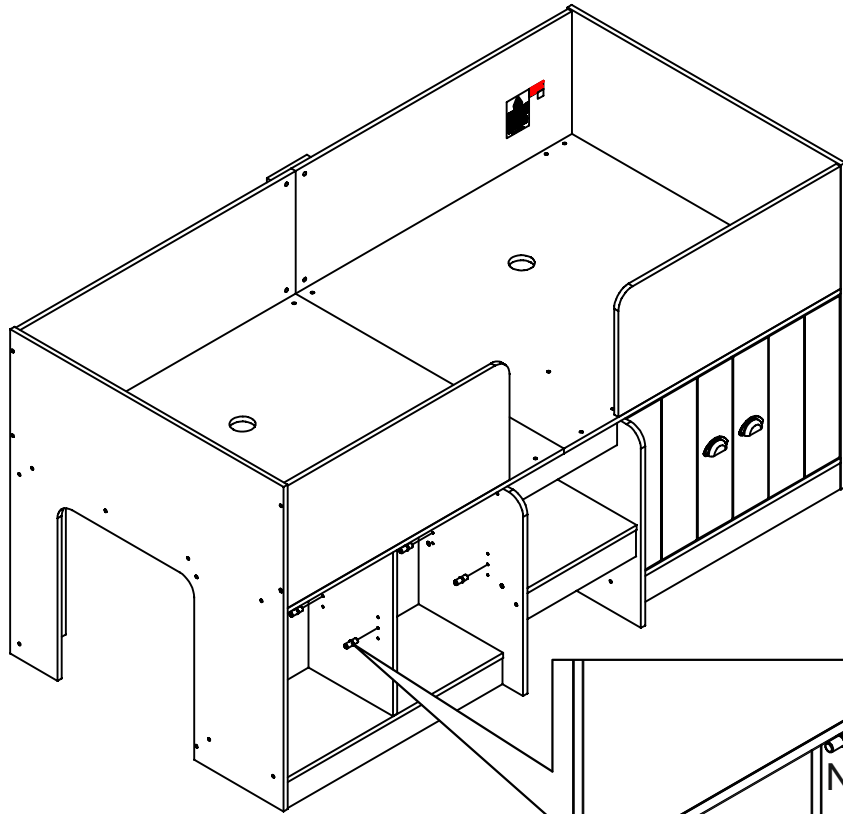
PARTS REQUIRED



HARDWARE REQUIRED

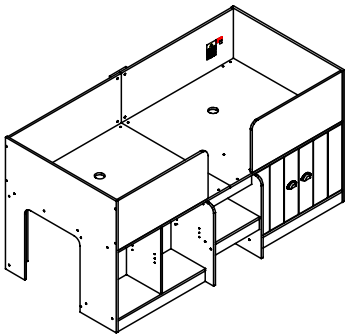


TOOLS REQUIRED

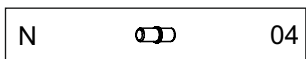


STEP 28

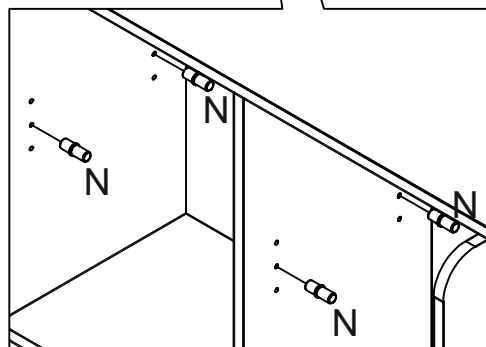
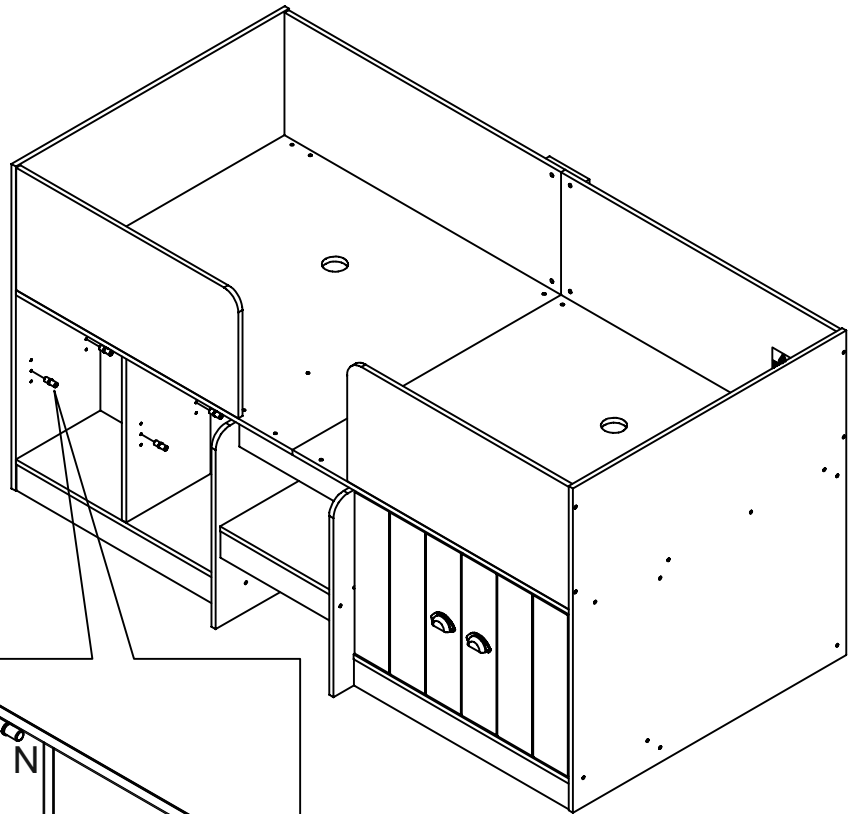
PARTS REQUIRED



HARDWARE REQUIRED



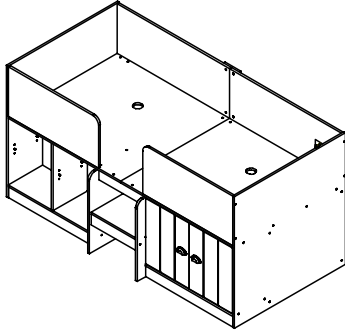
TOOLS REQUIRED



STEP 29

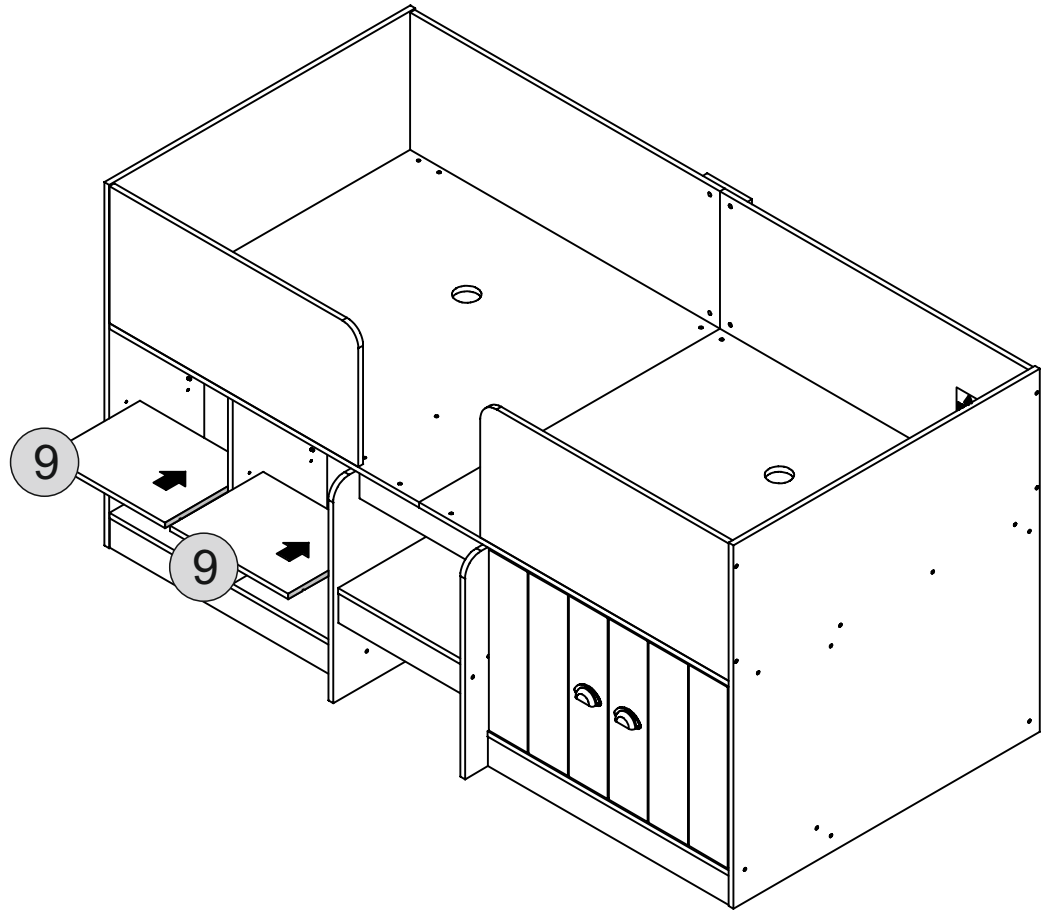
PARTS REQUIRED

9 - SHELF PANEL x2



HARDWARE REQUIRED

TOOLS REQUIRED

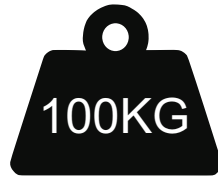


STEP 30

PARTS REQUIRED

HARDWARE REQUIRED

TOOLS REQUIRED



MAX BED
WEIGHT

