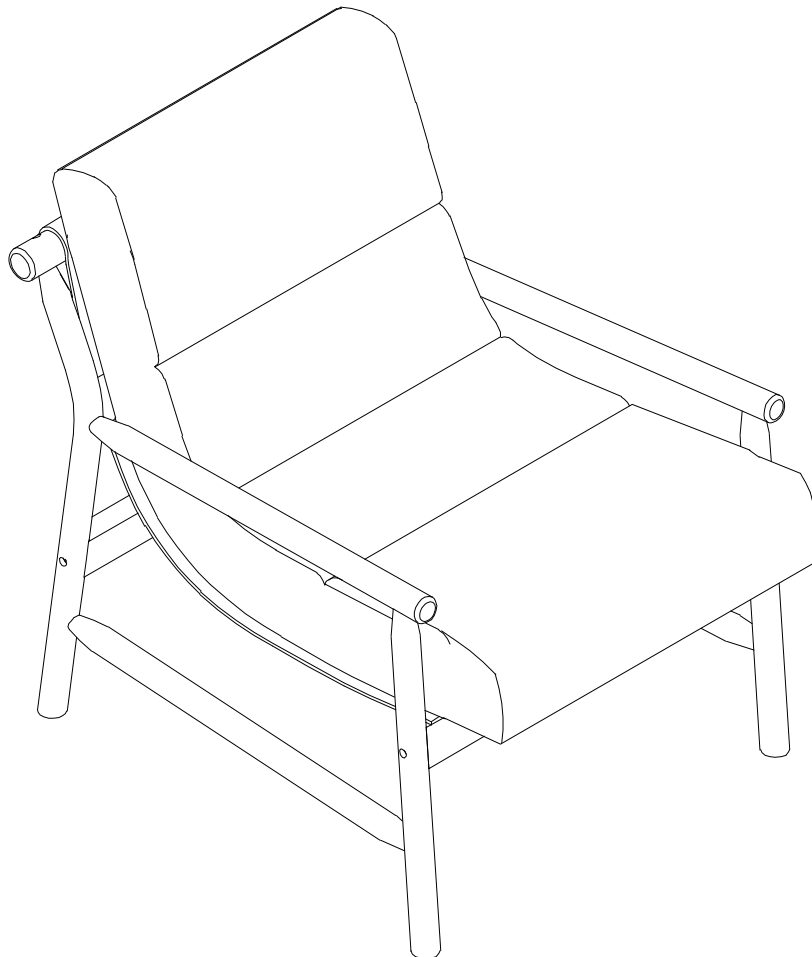


Assembly Manual

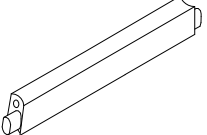
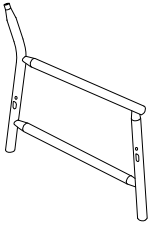
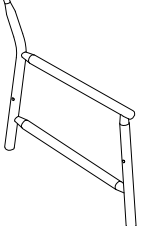
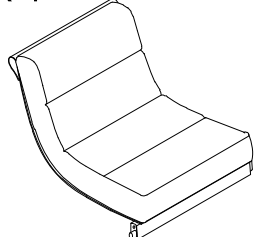
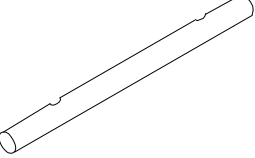
Accent Chair with Wood Arms



 **CAUTION**

THIS ASSEMBLY MANUAL CONTAINS IMPORTANT SAFETY INFORMATION.
PLEASE READ AND KEEP FOR FUTURE REFERENCE.

Part list

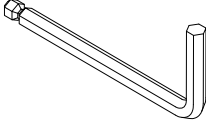
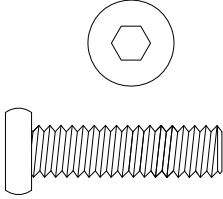
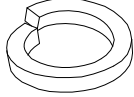
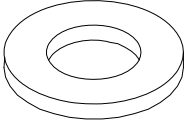
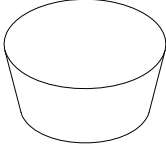
<p>A x 1</p>  <p>Back rail</p>	<p>B x 1</p>  <p>Right frame</p>	<p>C x 1</p>  <p>Left frame</p>
<p>D x 1</p>  <p>Seat frame</p>	<p>E x 1</p>  <p>Top rail</p>	

Thank you for purchasing our **SOFA**

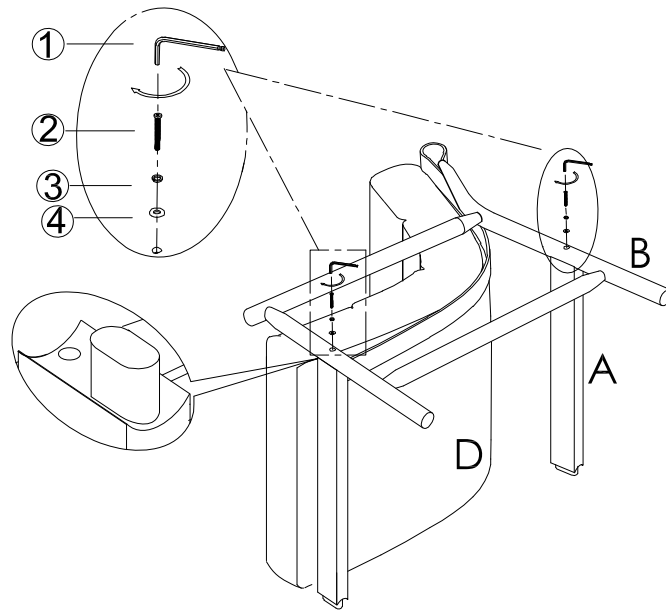
Before you start, here are some helpful advice:

1. We suggest you spend a short time reading through this leaflet and then follow the simple step-by-step instructions.
2. Owing to the size and weight of the sofa, we recommend that it is assembled by two adults, on a carpeted or padded area, in the room that it is intended for. Approximate assembly time: 20 minutes.
3. Please do not use any tools other than those provided or recommended in these instructions.
4. Please do not throw away any of the packaging or the instruction until you have checked all the components and hardware and the furniture is fully assembled. Please ensure that the packaging is disposed of in a safe and environmentally friendly way.
5. Assemble all components loosely until advised to tighten. Depending on use, it may be necessary to tighten the components from time to time, so please save the tools that have been provided.
6. Please keep all pieces out of reach of children.
7. If you have any questions about the product: please send an email to our dedicated customer service email, and we will reply to your questions within 12 hours.

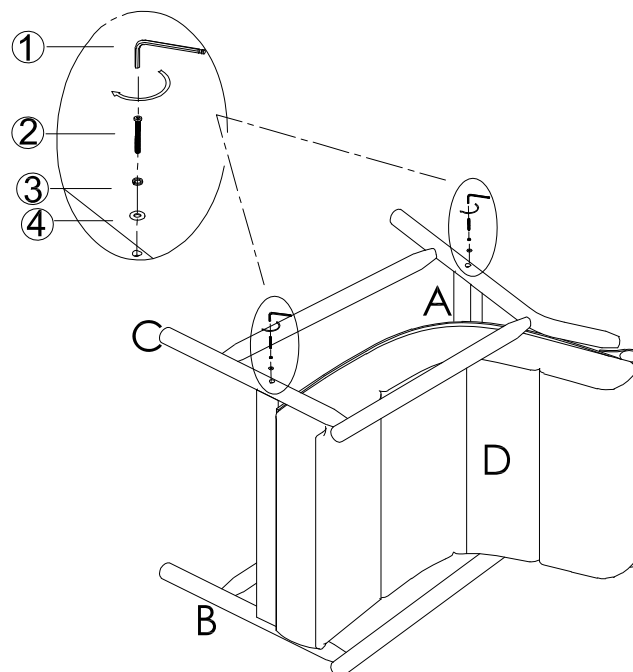
Hardware list

<p>①x 1</p>  <p>Allen wrench</p>	<p>②x 6</p>  <p>Bolt</p>	<p>③x 6</p>  <p>Spring washer</p>
<p>④x 6</p>  <p>Flat washer</p>	<p>⑤x 6</p>  <p>wood plug</p>	

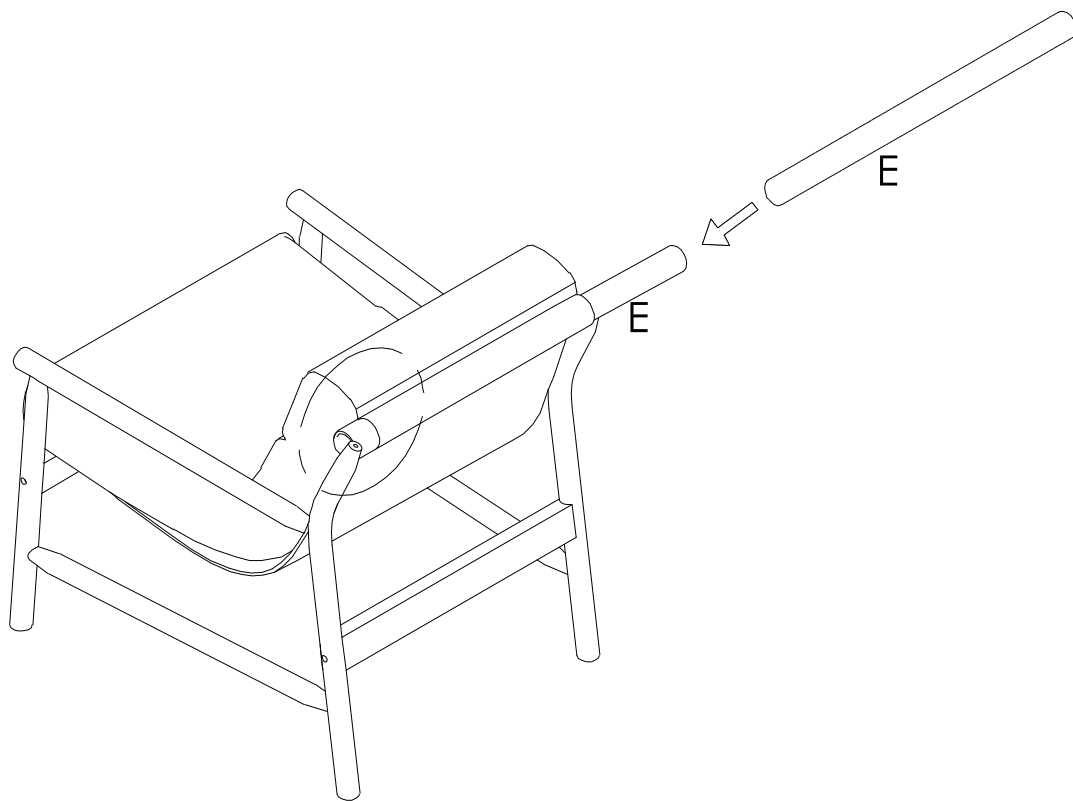
- 1** Assemble the chair on a soft, scratch-free surface such as a carpet or a rug.
Attach right frame (B) to back rail (A) and seat frame (D) , using bolts ②, lock washer③, flat washer④and hex wrench①.



- 2** Assemble the chair on a soft, scratch-free surface such as a carpet or a rug.
Attach left frame (C) to back rail (A) and seat frame (D) , using bolts ②, lock washer③, flat washer④and hex wrench①.



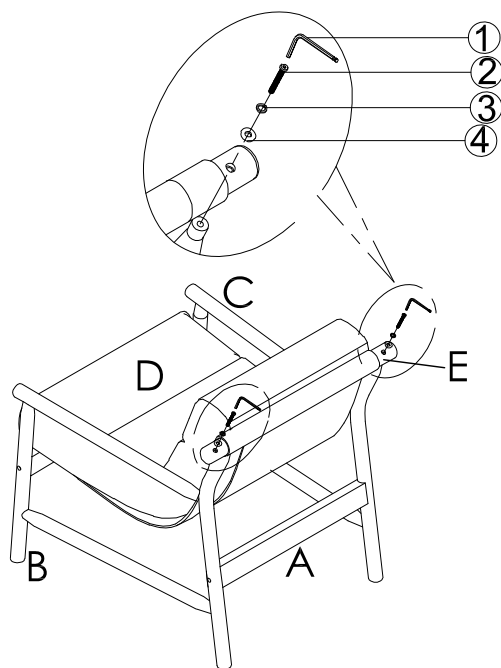
3



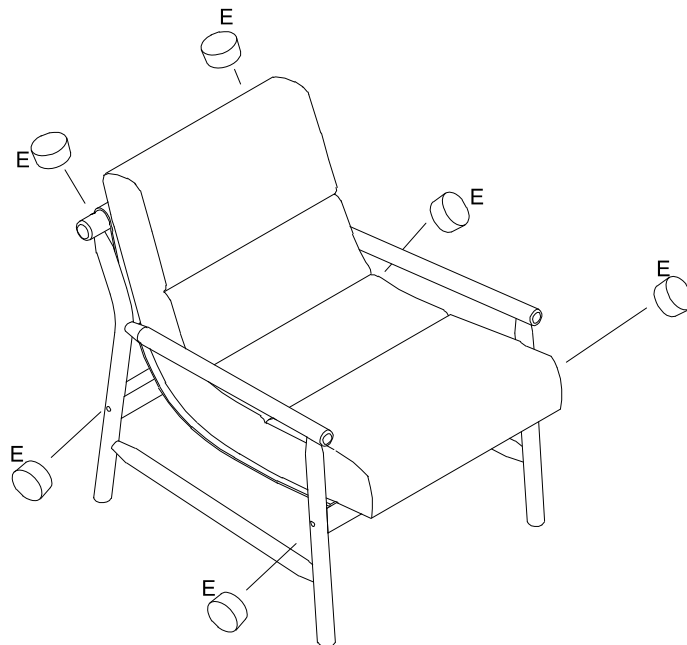
4

Assemble the chair on a soft, scratch-free surface such as a carpet or a rug.

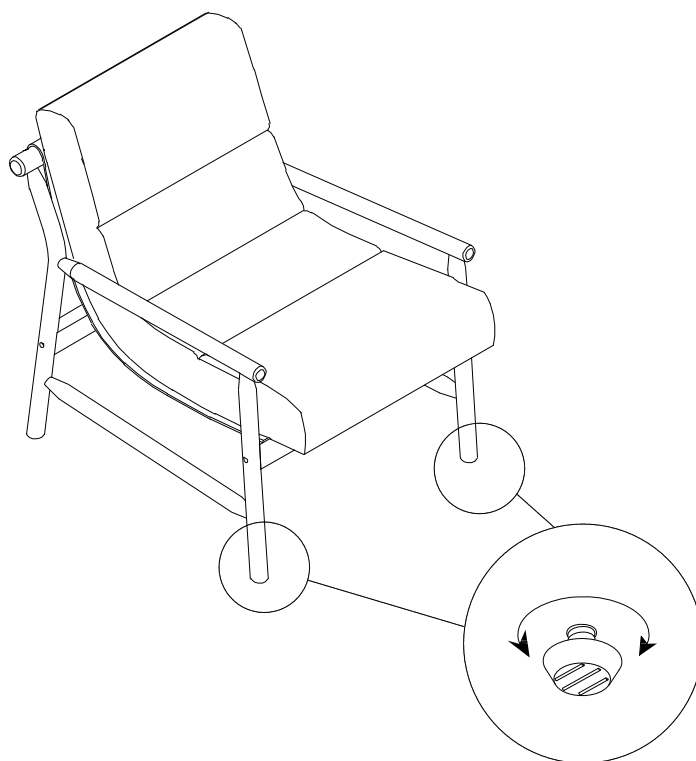
Attach left frame (C) and right frame (B) to back rail (A) and seat frame (D) , using bolts ②, lock washer ③, flat washer ④ and hex wrench ①.



5



6 Adjustable leveler at front legs, please adjust if floor is uneven.



Cleaning & Care

Treat surface with care. Surface is resistant to scratches but is not scratch resistant. Clean surfaces with a dry or damp soft cloth. Do not use abrasive cleaners. Hardware may loosen over time. Periodically check that all connections are tight.