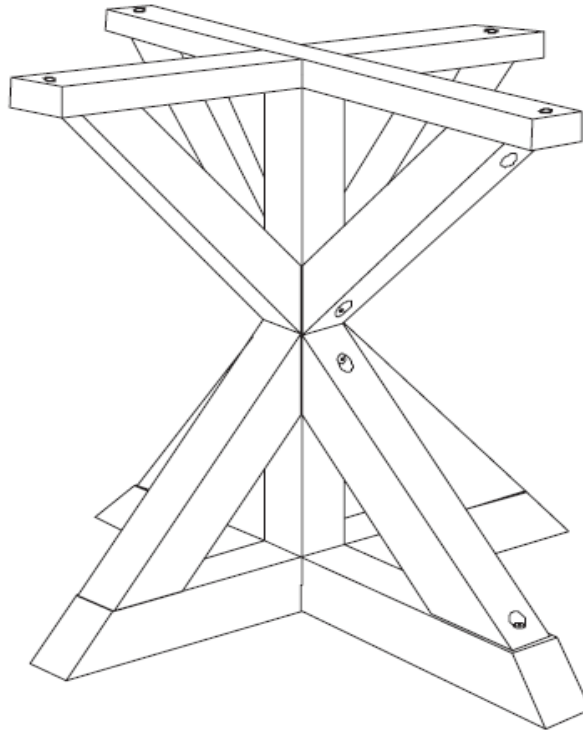



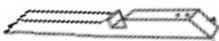


# Assembly Instructions









Thank you for purchasing Company product. This product has been designed for for easy assembly and constructed durability. Please take the time to read and follow the assembly instructions carefully. If a part or hardware is missing or you have any difficulties in assembling this product.

THE HARDWARE  
IN INNER BOX


## PARTS LIST:

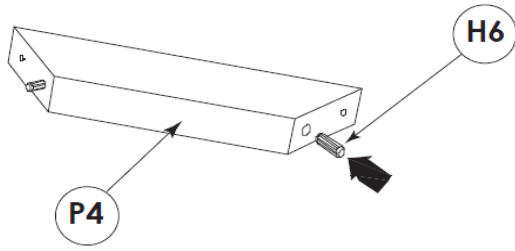
P2	MAIN TABLE FRAME		1 PC
P3	BASE BAR		1 PC
P4	LEG STRETCHERS		4 PCS
P5	MOUNTING BAR		1 PC

## HARDWARE LIST:

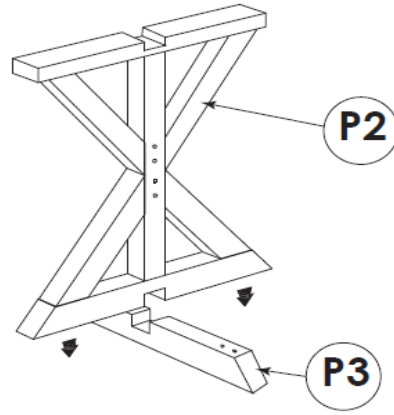
H1	M6 x 45mm JCBC SCREW		6 PCS
H4	ADJUSTABLE GLIDE		4 PCS
H5	ALLEN KEY (SHARE USE)		1 PC
H6	WOODEN DOWEN M8 x 30mm		8 PCS
H7	WOOD BUTTON		8 PCS
H8	M6 x 35mm JCBC SCREW		2 PCS

**STEP 1**


**H6 x 8**  
  
**M8 x 30mm**

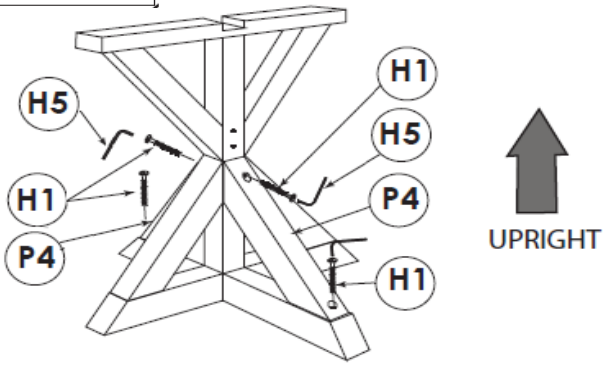


**STEP 2**




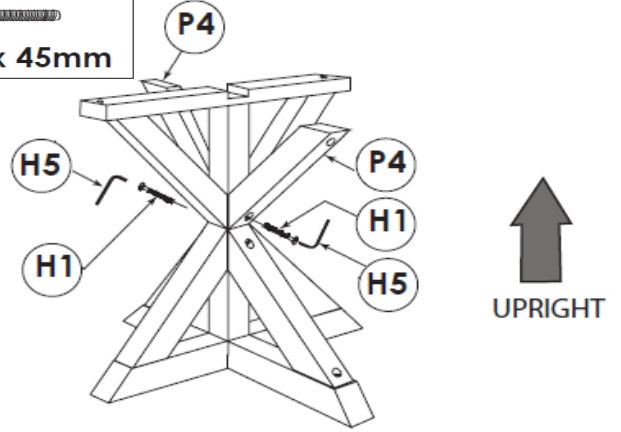
**STEP 3**

**H1 x 4**  
  
**M6 x 45mm**




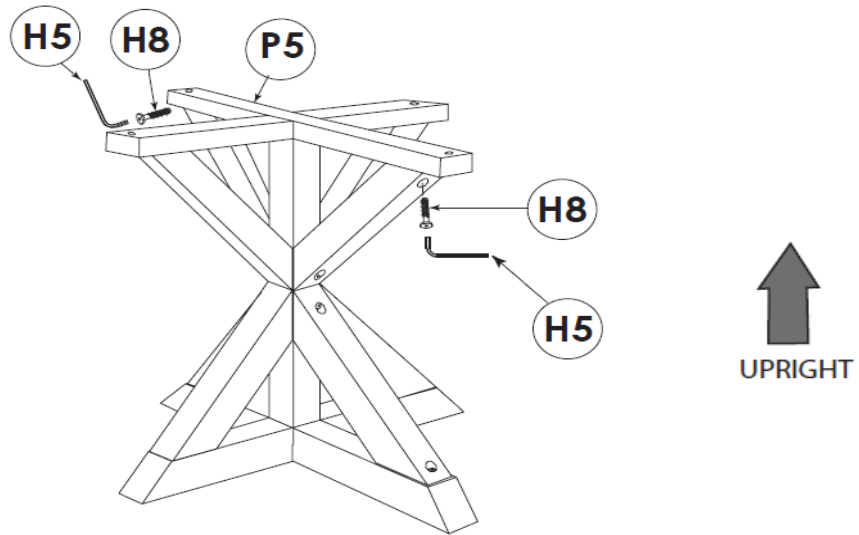
**STEP 4**

**H1 x 2**  
  
**M6 x 45mm**





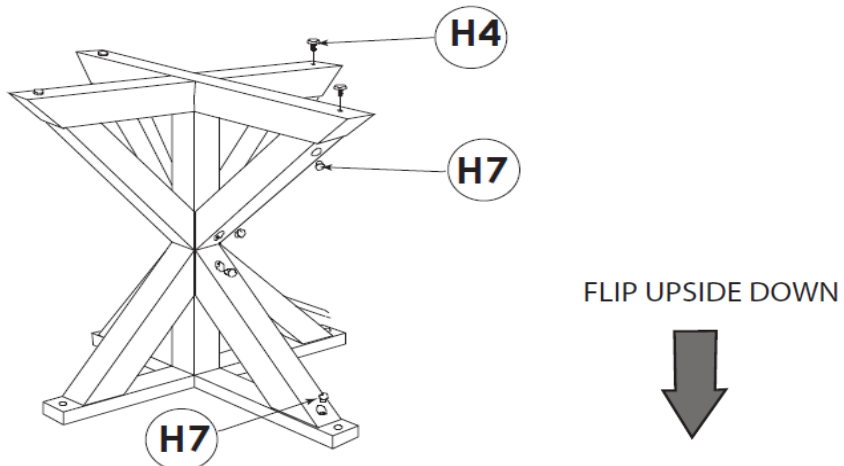
**STEP 5**

**H8 x 2**  
  
**M6 x 35mm**

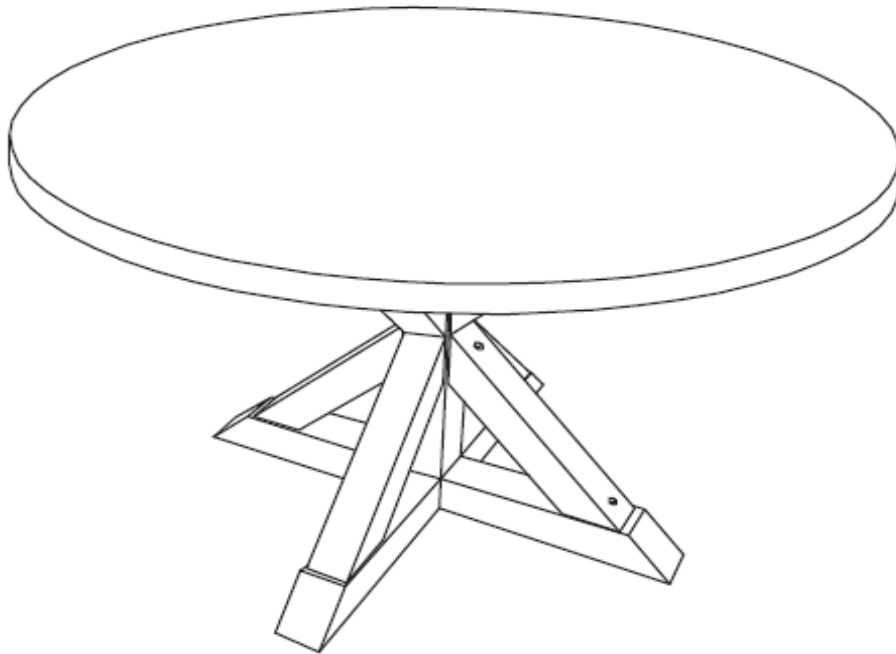


**STEP 6**

**H4 x 4**  
  
**H7 x 8**  




# Assembly Instructions



Thank you for purchasing Company product. This product has been designed for durability. Please take the time to read and follow the assembly instructions carefully. If a part or hardware is missing or you have any difficulties in assembling this product.

## **PARTS LIST:**

P1 TABLE TOP



1 PC

## **HARDWARE LIST:**

H1 M6 x 45mm JCBC SCREW



4 PCS

H4 SPRING WASHER



4 PCS

H5 FLAT WASHER



4 PCS

## STEP 7

H1 x 4

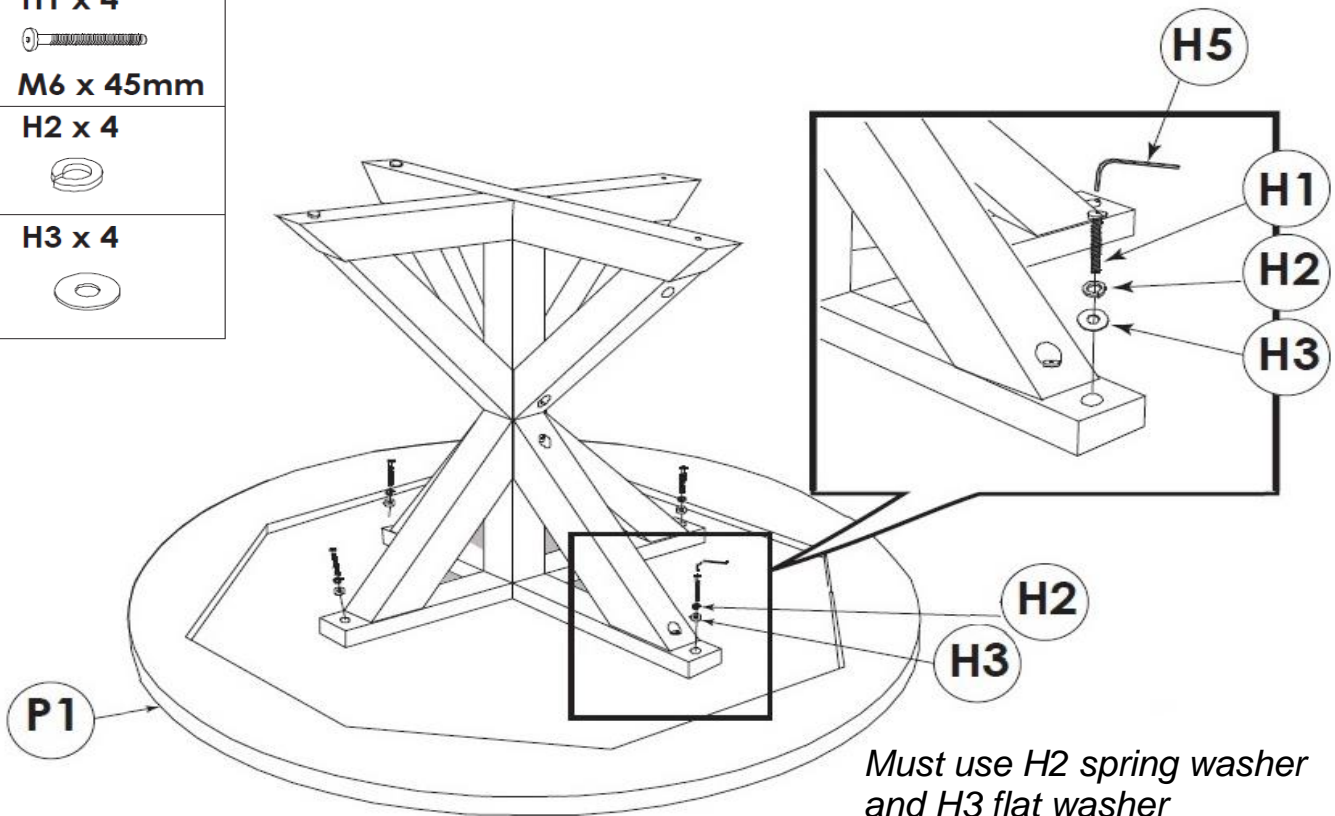


M6 x 45mm

H2 x 4



H3 x 4



*Must use H2 spring washer  
and H3 flat washer  
Allen key H5 recommended  
**DO NOT** over tighten*