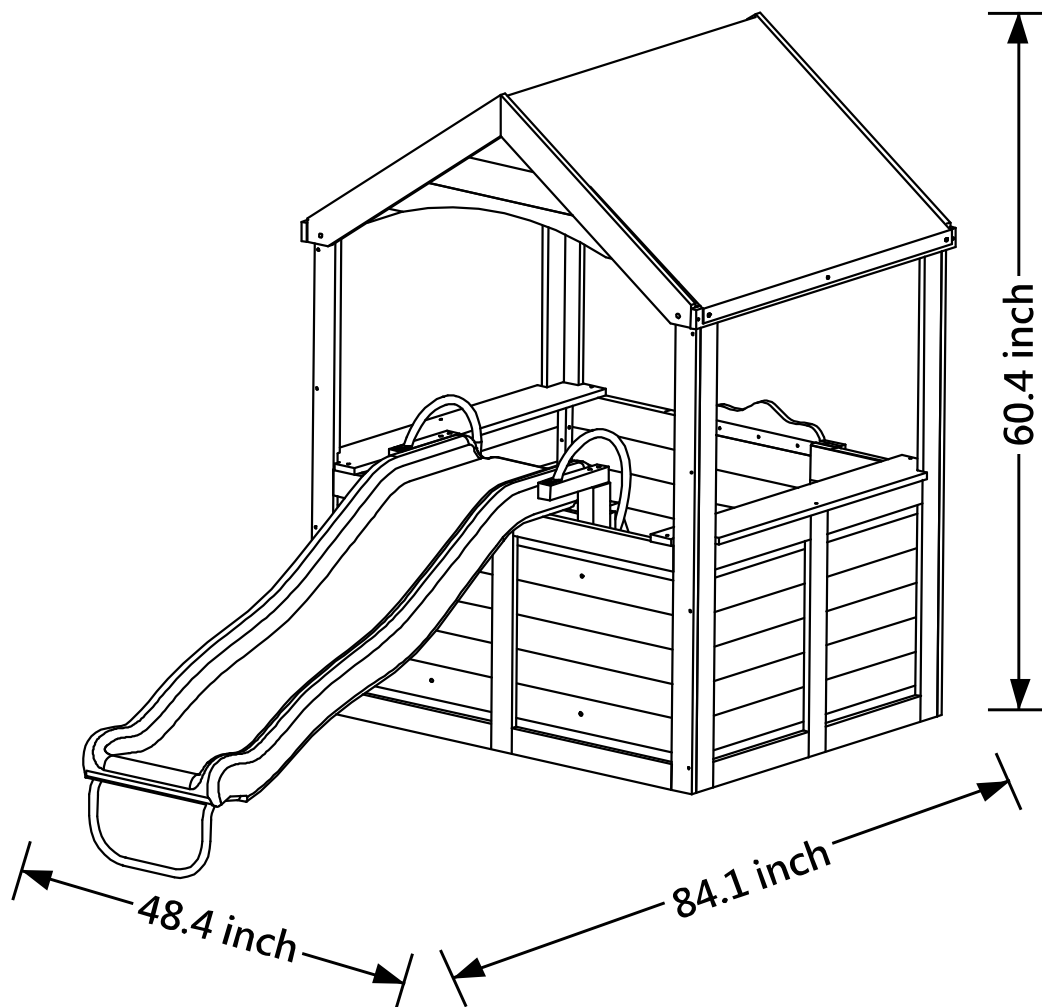


# ENCINITAS WOOD PLAYHOUSE WITH SLIDE

## Model No. WP-555

### OWNER'S MANUAL

#### ASSEMBLY, INSTRUCTION, CARE, MAINTENANCE AND USE INSTRUCTONS



### WARNING

- This product is intended for use by children from ages 3 to 8.
- This unit is designed for use by up to 2 children at one time. Maximum weight of each user is 100 lbs. (45kg), with combined weight not to exceed 200 lbs. (90kg)
- Assembly requires at least TWO adults.
- Do not allow more than one child to play on the slide at the same time.
- Always inspect product thoroughly before each use.

**PLEASE RETAIN THESE INSTRUCTIONS FOR FUTURE REFERENCE**

**For customer service, please call 1-866-370-2131 Monday-Friday 9am-5pm Eastern Time  
or visit our website at [www.sportspowerltd.net](http://www.sportspowerltd.net)**

SPORTSPOWER LTD

FLAT M, 3/FLOOR, KAISER ESTATE PHASE 3, 11 HOK YUEN STREET, HUNGHOM, KOWLOON, HK

Dear Valued Customer,

Congratulations on your wood play set purchase! Please read and completely understand the contents of this owner's manual. This manual contains specific instructions that must be followed to prevent injuries.

This equipment is for residential use only. This play set is NOT intended for public or commercial use. The warranty will be voided if the play set is used in a commercial application.

The product is designed for use by children between the ages of 3-8. Children must NOT play on this set until it is properly assembled and inspected by an adult. Adult supervision is required at all times while children are playing on the equipment. Do not allow children under six (6) years old to be near during the assembly of this product due to choking hazards of small parts.

The equipment must be installed on level ground. Uneven ground must be leveled prior to installation. Installation on sloping or uneven ground will put stress on the joints, causing the unit to become loose and unstable which may result in serious injuries. You must ensure there are no obstructions or structures (e.g. electrical wires, branches, house, fence, garage, etc) within six (6) feet from the equipment.

The U.S. Consumer Product Safety Commission's Outdoor Home Playground Safety Handbook recommends to install and maintain the playground equipment over at least 9 inches of wood chips, mulch or shredded rubber (for equipment up to 8 feet high) or sand or pea gravel (for equipment no more than 5 feet high) as shock absorbing material. Dirt and grass, which are the most prevalent surfaces under home playground equipment, do not adequately protect children from serious head injuries. Install protective surfacing at least six feet in all directions from play equipment. For swings, the surface should extend, in back and front, twice the height of the suspending bar. Do not install your play set over hard surface, e.g. asphalt, concrete, packed earth, tile or brick floor. Do not allow children to use the product during windy or wet weather conditions. You should consult a local licensed contractor about ways to anchor the product in your location.

Please thoroughly read and follow the instructions in this Owner's Manual to ensure proper and enjoyable play for your children. The equipment must be checked before each use and maintained regularly. This includes, but is not limited to inspecting the play set for cracks, excess wear, missing parts, loose connections, and for overall integrity. When the set shows any signs of weakness or damage, you must stop using the play set immediately, properly store the set or restrict access by users until the condition is resolved.

Your product is warranted against defects in material and workmanship. Extended warranty is also offered to those customers registering their products at [www.sportspowerltd.net](http://www.sportspowerltd.net) within 14 days from the date of purchase. Please refer to our warranty policy at the back of this manual for details.

**IF YOU EXPERIENCE ANY PROBLEMS WITH YOUR PRODUCT,  
DO NOT RETURN TO THE STORE.**

**For customer service, please call 1-866-370-2131  
Monday-Friday 9:00am-5:00pm Eastern Time  
or visit [www.sportspowerltd.net](http://www.sportspowerltd.net)**

# IMPORTANT SAFETY INSTRUCTIONS

---

**BEFORE YOU BEGIN:** Carefully read all instructions in this manual before assembling and using this product. The unit must be assembled by adults. Heavy duty working gloves must be worn to avoid injuries during assembly.



## WARNING

### READ ALL INSTRUCTIONS BEFORE ASSEMBLING OR USING THIS EQUIPMENT

#### AGE LIMIT

- This product is designed to be used by up to two (2) children between the ages of 3 to 8. Maximum user weight is 100 pounds (45kg) each with a combined maximum weight of 200 pounds (90kg.)
- The play set is designed for children over three (3) years of age. Use by smaller children can result in entrapment and serious injury.
- On-site adult supervision is required at all times for children of all ages.
- Do not allow use by children with any physical condition that may affect his/her ability to use this equipment safely.

#### IMPORTANT:

- Children must NOT play on this set until it is properly assembled and inspected by an adult.
- The Wood Play Set must be properly installed and anchored BEFORE children can play on the Wood Play Set.
- You MUST read and follow all instructions in this manual before installing or attempting to use the Wood Play Set.

Failure to follow these important requirements may result in the warranty being voided and/or serious injury. Please supervise your children carefully during the installation and assembly of the wood play set.

Please also pay close attention to the periodic maintenance that is required to keep your wood play set in a safe condition for maximum enjoyment of backyard fun!

#### BEFORE YOU BEGIN ASSEMBLY:

- Take a complete inventory of components using the parts list.
- Sort and lay out the wood pieces. Label each piece of wood for easy reference. For easy identification during the assembly process, write the board's letter on masking tape and adhere to each piece of the wood. Some wooden components may twist or warp in the carton after packaging. Usually, these parts straighten out when assembled. You may also see some cracking of the grain. This is normal.
- Sort all hardware according to size. Do not worry if extra hardware is included.

# IMPORTANT SAFETY INSTRUCTIONS

**BEFORE YOU BEGIN:** Carefully read all instructions in this manual before assembling and using this product. The unit must be assembled by adults. Heavy duty working gloves must be worn to avoid injuries during assembly.



## WARNING

### READ ALL INSTRUCTIONS BEFORE ASSEMBLING OR USING THIS EQUIPMENT

#### Find a safe play location.

- You **MUST** install the Wood Play Set on level ground. Uneven ground must be leveled prior to installation. The manufacturer cannot assume responsibility for any failure from incorrect installation. Installing on sloping ground will put stress on all the joints, which will cause the set to become loose and unstable.
- Find a location where the equipment can be placed more than 6 feet from any structure or obstruction (ex: electrical wires, branches, house, fence, garage) The safe play area refers to a zone extending 6' beyond the gym set on all sides, including the space above the gym set.
- The safe play area must be free of all structures, landscaping, trees and branches, rocks, wires and other obstacles to safe play. Children can be seriously injured running or swinging into these obstacles.
- Remove any rocks or any jagged or sharp object that could endanger your children's safety.
- Remove all tripping hazards from the safe play area. Tripping hazards include but are not limited to: roots, stumps, rocks, landscaping, sprinkler heads, railroad ties, plumbing, and electrical connections.
- Do **NOT** install your gym set over gravel, asphalt, packed earth or any other hard surface. The following is a list of recommended ground covers from the Consumer Product Safety Commission.

SUGGESTED MATERIAL	UNCOMPRESSED DEPTH
Double Shredded Bark Mulch	9"
Uniform Wood Chips	12"
Fine Gravel	12"
Fine Sand	12"

#### PLAY SUPERVISION

- **DO NOT** allow more than one child to play on the slide at any one time.
- **ALWAYS** dress children appropriately for safe play, e.g. wear well-fitted rubber sole shoes, and remove loose or sharp items such as jewelry, hair accessories, scarf, ponchos which may become entangled in the equipment or cause injuries.
- **ALWAYS** make sure children remove their bike or other sports helmets before playing on the playground. Helmets can become entrapped in playground, posing a strangulation hazard.
- **DO NOT** allow children to climb onto the slide or jump to and from different play areas of the equipment. **ALWAYS** return safely to the ground before approaching another play area.
- **DO NOT** allow children to climb on structural parts. These are structural components and are not designed for play.
- **ALWAYS** check the slide or other parts exposed to the body for extreme heat from the sun before allowing children to use the equipment.
- **ALWAYS** prevent access and secure from any unauthorized use when there is no adult supervision.
- **DO NOT** allow pets or other animals near the equipment to prevent damage or injuries.
- **DO NOT** allow children to slide down head first.

## **INSPECTION PRIOR TO EACH USE OR DAILY INSPECTION**

- DO NOT use the equipment if any bolts or nuts are missing or loose. ALWAYS check to ensure the equipment and all parts are well secured and stable before each use.
- ALWAYS clear the play area of any rocks, sharp objects, or any materials that could be potentially hazardous to users.
- DO NOT attach items to the equipment that are not specifically designed for use with the equipment, including, but not limited to, jump ropes, clothesline, pet leashes, cables and chains as they may cause choke hazards.
- The wood, steel and plastic parts used in your product are subject to normal wear. Gradual deterioration of the material will occur, the speed of which will depend on the level of exposure to UV rays, airborne pollution, outdoor weather conditions such as rain and wind and the amount of use. You must inspect the equipment prior to every use. This includes, but is not limited to inspecting the set for cracks, excess wear, missing parts, loose connections, and for overall integrity. When the set shows any signs of weakness, you must stop using the play set immediately, properly store the set or restrict access by users until the condition is resolved.

When conducting inspections, it is recommended that you use the Outdoor Home Playground Safety Checklist published by the US Consumer Product Safety Commission, a copy of which is contained in this user manual.

### **WEATHER CONDITIONS**

- DO NOT use this equipment if any parts are wet. Use the play set only when the parts are clean and dry. If the equipment is wet, the user could slip and suffer injuries.
- Please be aware of weather conditions when using the equipment. If it is too windy, users could lose control and suffer injuries. The playground equipment must be properly anchored, stored away or restricted from use during inclement weather such as heavy winds or severe weather storms. You should consult a local contractor about ways to anchor the product in your location.

### **DISPOSAL INSTRUCTIONS**

- Please use care when disassembling the equipment. Wear heavy duty working gloves to avoid injuries.
- Fully disassemble the entire equipment before disposal. Do not leave partially disassembled equipment parts in areas accessible by children.
- All plastic and steel parts could be recycled. Take it to your local recycling center. Do not let children play with any disassembled parts destined for disposal, such as chains, slide, tubing, bolts, nuts, screws, etc.

## IMPORTANT CONSUMER INFORMATION SHEET

The Consumer Product Safety Commission estimates there are about 200,000 playground related injuries involving children each year. Injuries involving this hazard pattern tend to be among the most serious of all playground injuries and have the potential to be fatal, particularly when the injury is to the head. The surface under and around playground equipment can be a major factor in determining the injury-causing potential of a fall. It is self evident that a fall onto a shock absorbing surface is less likely to cause a serious injury than a fall onto a hard surface. Playground equipment should never be placed on hard surfaces such as concrete or asphalt and while grass may appear to be acceptable it may quickly turn to hard packed earth in areas of high traffic. Shredded bark, mulch, wood chips, fine sand or fine gravel are considered to be acceptable shock absorbing surface when installed and maintained at a sufficient depth under and around playground equipment.

Table below lists the maximum height from which a child would not be expected to sustain a life-threatening head injury in a fall onto four different loose-fill surfacing materials if they are installed and maintained at depths of 6" (15.25CM), 9" (22.9CM), and 12" (30.5CM).

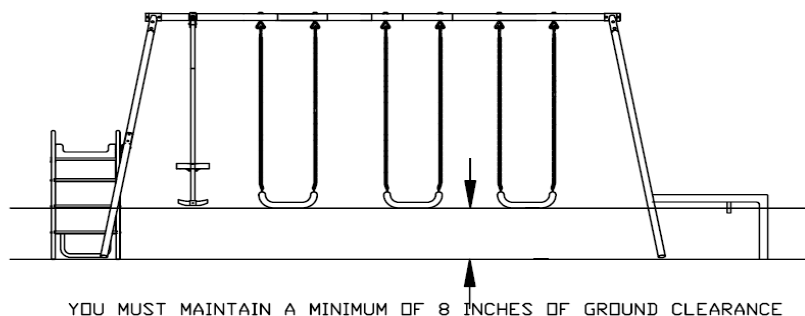
FALL HEIGHT IN FEET FROM WHICH A LIFE THREAENING HEAD INJURY WOULD NOT BE EXPECTED			
TYPE OF MATERIAL	6"(15.25CM) DEPTH	9"(22.9CM) DEPTH	12"(30.5CM) DEPTH
Double shredded bark mulch	6"(15.25CM)	10"(25.4CM)	11"(27.94CM)
Wood Chips	6"(15.25CM)	7"(17.8CM)	12"(30.5CM)
Fine Sand	5"(12.7CM)	5"(12.7CM)	9"(22.86CM)
Fine Gravel	6"(15.25CM)	7"(17.8CM)	10"(25.4CM)

However, it should be recognized that all injuries due to falls cannot be prevented no matter what surfacing material is used.

We recommend that a shock absorbing material should extend a minimum of 6ft in all directions from the perimeter of stationary equipment such as climbers and slides. However, because children may deliberately jump from a moving swing, the shock absorbing material should extend in the front and rear of a swing a minimum distance of 2 times the height of the pivot point measured from a point directly beneath the pivot on the supporting structure.

This information is intended to assist in comparing the relative shock-absorbing properties of various materials. No particular material is recommended over another. However, each material is only effective when Properly maintained. Materials should be checked periodically and replenished to maintain correct depth as determined necessary for your equipment. The choice of a material depends on the type and height of the playground equipment, the availability of the material in your area and its cost.

Note: The maximum fall height for this product is 6 feet. The minimum ground Clearance between the bottom of the suspended plays and the playing or ground service must be 8 inches.



This information has been extracted from the CPSC publication on "Playground Safety". You can obtain more information by sending a postcard to the: Office of public Affairs , U.S. Consumer Product Safety Commission , Washington , D.C.20207

**The following guidelines are extracts from the Consumer Product Safety Commission Outdoor Home Playground Safety Handbook. It is recommended that you read the entire handbook and take necessary precautions to prevent serious injuries to your children, including:**

### **CHOOSING A SITE**

- When you choose a home playground, a location away from roads and driveways and readily visible from inside the home and patios or porches, is important.
- Create a site free of obstacles that could cause injuries-such as low overhanging tree branches, overhead wires, tree stumps and/or roots, large rocks, bricks and concrete.
- Choose a level location for the equipment. This can reduce the likelihood of the play set tipping over and loose-fill surfacing materials washing away during heavy rains. Some sites may need regrading to improve drainage or to reduce the slope.
- Locate play set at least 6 feet from any structure or obstacles, such as a house, fence, sheds, trees or poles. Swings should be further away from structures to the front and rear of the swings-a distance equal to twice the height of the top bar from which the swing is suspended.
- Locate bare metal platforms and slides out of direct sunlight to reduce the likelihood of serious burns. A slide that faces north will receive the least direct sunlight.

### **SELECT PROTECTIVE SURFACING**

One of the most important things you can do to reduce the likelihood of serious head injuries is to install shock-absorbing protective surfacing under and around your play set. The protective surfacing should be applied to a depth that is suitable for the equipment height in accordance with ASTM F1292. There are different types of surfacing to choose from; whichever product you select, follow these guidelines:

**Do not install home playground equipment over concrete, asphalt, or any other hard surface. A fall onto a hard surface can result in serious injury to the equipment user. Grass and dirt are not considered protective surfacing because wear and environmental factors can reduce their shock absorbing effectiveness. Carpeting and thin mats are generally not adequate protective surfacing. Loose-Fill**

#### **Materials**

- Maintain a minimum depth of 9 inches of loose-fill materials such as wood mulch/chips, engineered wood fiber(EWF), or shredded/recycled rubber mulch for equipment up to 8 feet high; and 9 inches of sand or pea gravel for equipment up to 5 feet high. NOTE: An initial fill level of 12 inches will compress to about a 9-inch depth of surfacing over time. The surfacing will also compact, displace, and settle, and should be periodically refilled to maintain at least a 9-inch depth.
- Use containment, such as digging out around the perimeter and/or lining the perimeter with landscape edging. Don't forget to account for water drainage.
- Check and maintain the depth of the loose-fill surfacing material. To maintain the right amount of loose-fill materials, mark the correct level on play equipment support posts. That way you can easily see when to replenish and/or redistribute the surfacing.
- **Do not** install loose fill surfacing over hard surfaces such as concrete or asphalt.

#### **Poured-In-Place Surfaces or Pre-Manufactured Rubber Tiles**

You may be interested in using surfacing other than loose-fill materials-like rubber tiles or poured-in-place surfaces.

- Installations of these surfaces generally require a professional and are not "do-it-yourself" projects
- Review surface specifications before purchasing this type of surfacing. Ask the installer/manufacture for a report showing that the product has been tested to the following safety standard: ASTM F1292 *Standard Specification for Impact Attenuation of Surfacing Materials within the Use Zone of Playground Equipment*. This report should show the specific height for which the surface is intended to protect against serious head injury. This height should be equal to or greater than the *fall height*-vertical distance between a designated play surface (*elevated surface for standing, sitting, or climbing*) and the protective surfacing below-of your play equipment.
- Check the protective surfacing frequently for wear.

### **PLACEMENT**

Proper placement and maintenance of protective surfacing is essential. Be sure to:

- Extend surfacing at least 6 feet from the equipment in all directions.
- For to-fro swings, extend protective surfacing in front of and behind the swing to a distance equal to twice the height of the top bar from which the swing is suspended.

# Outdoor Home Playground Safety Checklist

Use this to help make your home playground a safe place to play!

<b>Supervision</b>	Be sure to always supervise children on play equipment.
<b>Surfacing</b>	<p>Install a protective surface under and around play equipment to reduce the likelihood of serious head injuries.</p> <p>For most play equipment, install protective surfacing 6 feet in all directions beyond the equipment.</p> <p>For swings, extend protective surfacing in front and back of the swing to a distance that is twice the height of the bar from which the swing is suspended.</p> <p>For tire swings, install protective surfacing outward from the swing equal to the suspension chain plus 6 feet.</p>
<b>Types of Surfacing</b>	<p>Carpeting and thin mats are not adequate as protective surfacing. Maintain at least 9 inches of loose-fill material (see page 6) or use an ASTM F1292 rated material at the depth required for the equipment height.</p> <p>Use wood mulch/chips, shredded rubber mulch, or engineered wood fiber for equipment up to 8 feet high.</p> <p>Use sand, pea gravel, or mulch products listed above for play equipment up to 5 feet high; or</p> <p>Use surface mats tested to provide impact protection equal to or greater than the height of the play equipment.</p>
<b>Equipment Maintenance</b>	Periodically check nuts, bolts, caps, swing seats, suspension ropes, chains, and cables and replace as necessary. Maintain loose-fill surfacing and surface mats.
<b>Opening</b>	Eliminate openings that can trap a child's head or neck, such as openings in guardrails or ladders. Openings should be smaller than 3 1/2 inches to prevent entry of a small child's body, or larger than 9 inches to allow a child's head and body to slide completely through.
<b>Ropes</b>	Never attach jump ropes, clotheslines, pet leashes, or cords of any kind to play equipment. Anchor any climbing ropes at both ends. Remove drawstrings from children's clothes. Children can strangle on these.
<b>Anchors</b>	Bury or cover anchors with adequate surfacing material to prevent tripping. Play equipment should not tip over.
<b>Guardrails or Barriers</b>	Make sure that platforms and ramps over 30 inches high have guardrails or barriers to prevent falls.
<b>Repair</b>	Repair sharp points or edges on equipment that can cause injuries.
<b>Upkeep of Hardware</b>	Replace missing hardware, eliminate protruding bolts, and close "S" hooks that can cause injuries.

## *What to Inspect:*

### **Hardware:**

Inspect all nuts and bolts and tighten if required. Hardware should be firmly against, but not crushing the wood. Over-tightening hardware crushes wood fibers and can split wooden components resulting in the bolt thread extending beyond the wood. This poses a severe safety hazard. If bolt threads protrude beyond the wood surface, replace the bolt with a shorter one that will not protrude. If splintering has occurred from over-tightening, larger washers can be purchased at your local hardware store and installed under the bolt head. Be sure to reuse or replace your lock washers.

### **Major Wooden Parts:**

Inspect for structural defects and splintering. If necessary, lightly sand and refinish with an exterior water repellent stain. Seasonal checking or cracking of the grain on wooden parts is quite natural and heat and water are the most frequent causes of expansion and contraction of wood fibers. Our wood set has been treated with stain to resist weathering. But it needs to be maintained periodically by applying new stain or paint.

### **Dowels (Rungs)**

Inspect for structural defects and splintering. If necessary, lightly sand and refinish with a clear water repellent, exterior sealant or boiled linseed oil. Do NOT paint, varnish or finish rungs with any substance that may reduce your child's ability to firmly grasp or step on the rungs.

### **Swing hangers**

Inspect for correct installation. Assure the bend of the swing hanger is positioned tightly against the stop washer and the ladder or swing beam. The axis of the swing hanger bushing must be perpendicular to the swing motion. Spray the nylon bushings with a household lubricant such as WD-40, if you hear squeaking.

### **Plastic Swing Seats**

Check for evidence of deterioration. Replace any swing seat that has developed cracks in the seat or has exposed metal in the edges of the swing seat. If there are already exposed metal inserts on the edge of the seat, remove the seats and chains to prevent serious injury. Remove plastic swing seats and take indoors or do NOT use when the temperature drops below 32 degrees F.

### **Ropes, Cables and Chains**

Check for evidence of deterioration. Ropes, cables and chains should be removed and replaced if excessive wear is found. Contact our service center for replacement parts.

### **Metallic Components**

Check for rusted areas on components such as monkey bars, hand supports, brackets, etc. Sand and repaint using a non lead-based paint that meets the requirements of Title 16 CRF part 1303.

### **Play Area**

Inspect to assure that the swing set has settled properly and the location of the set is still level.

# GROUND COVER INFORMATION

SELECTING THE CORRECT LOCATION FOR YOUR PLAY PRODUCT IS IMPORTANT  
FOR YOUR CHILDREN'S SAFETY AND THE PRODUCT'S LONGEVITY

## Dimensions:

Product Dimension: 84.1" x 48.4"

Recommended Play Area Ground Cover: 223.5" x 192"

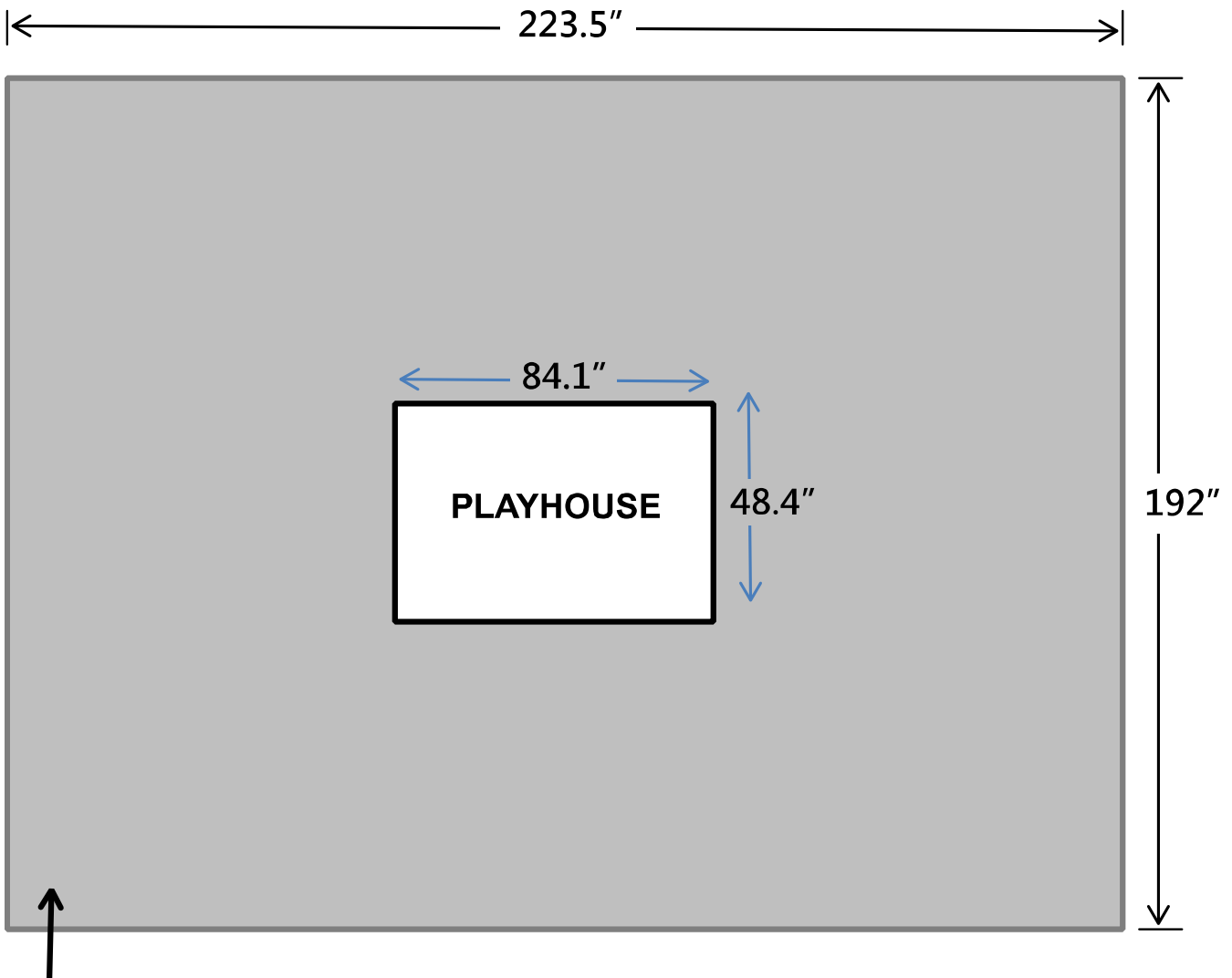
## General Information:

The play set has been designed and engineered for up to 2 children.

Maximum of 100 lbs. (45kg) per child

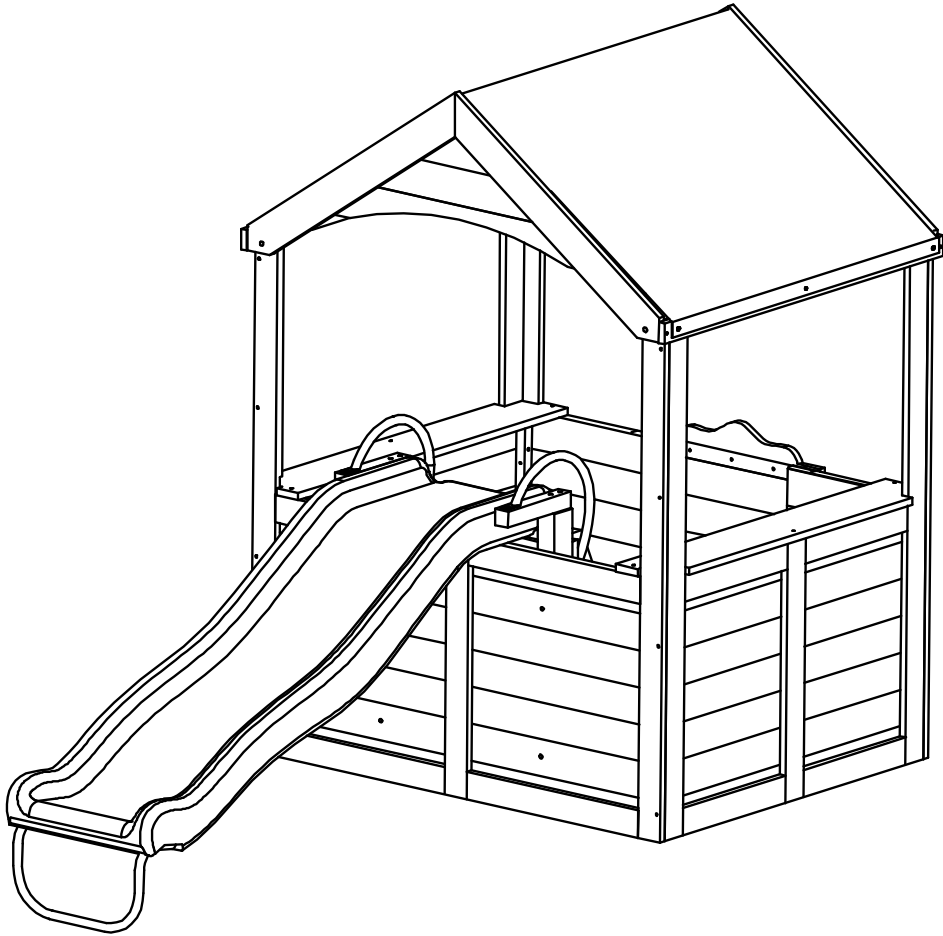
Combined weight is not to exceed 200 pounds (90 kg)

## RECOMMENDED PLAY AREA DIAGRAM

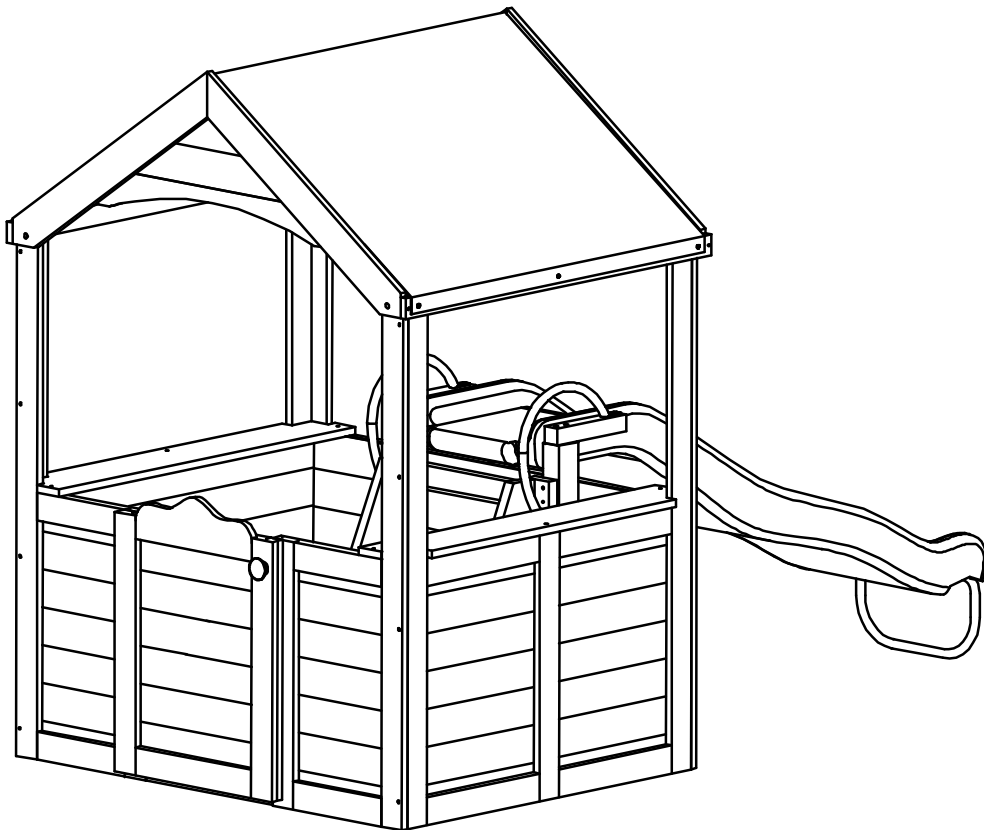


Recommended dimension of play area using appropriate ground cover

## FRONT VIEW OF COMPLETE PRODUCT



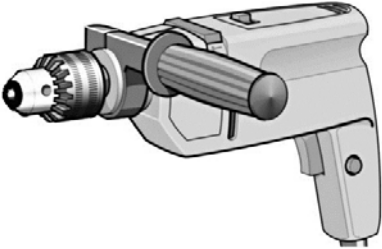
## BACK VIEW OF COMPLETE PRODUCT



## TOOLS REQUIRED FOR ASSEMBLY

These are the tools that are generally required for installation.

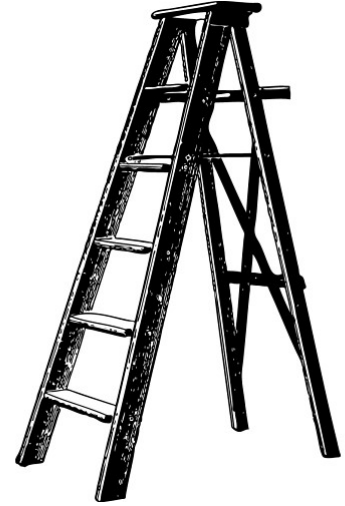
These tools are not included in the purchased packaging unless stated below.



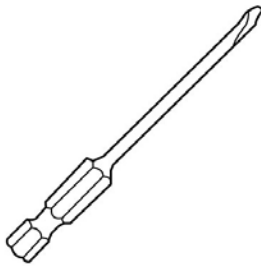
Electric Drill



Phillips Head Screw Drive  
 $\frac{3}{16}$ " bit



Ladder or Step Tool



Phillips Head Screwdriver

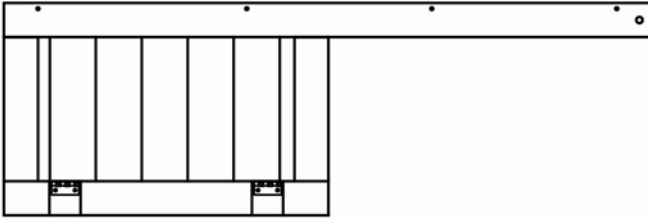


Tape Measure

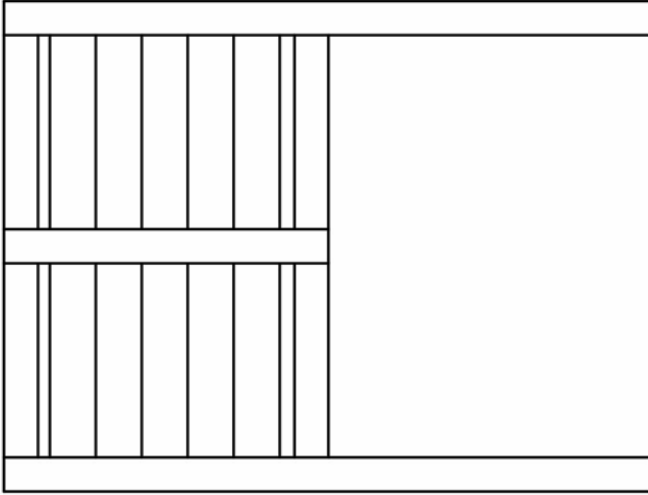


Working Gloves

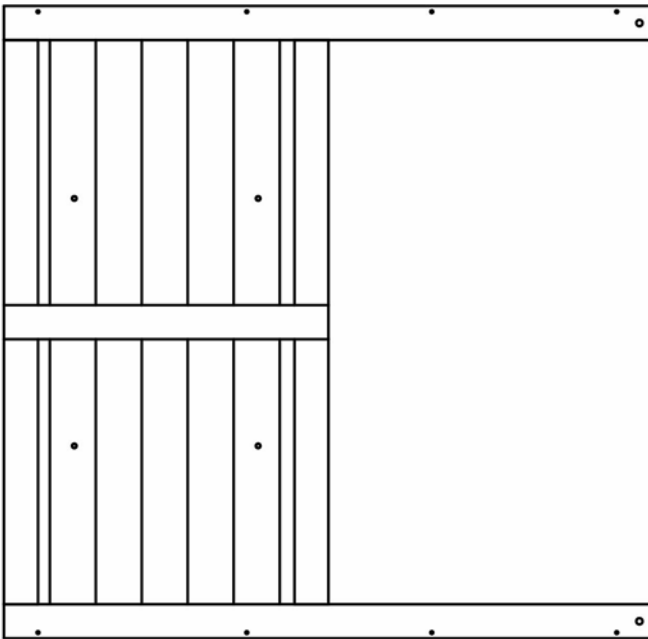
# Wood Parts List



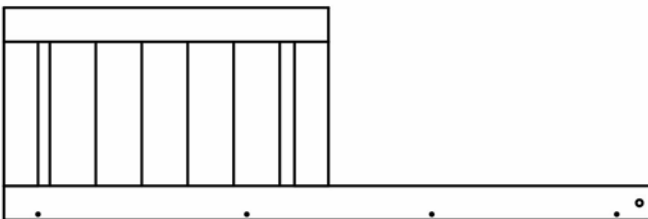
W1 x 1



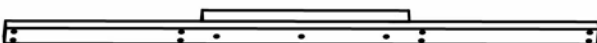
W2 x 2



W3 x 1

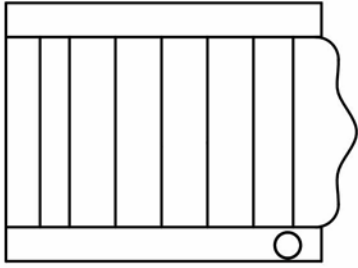


W4 x 1

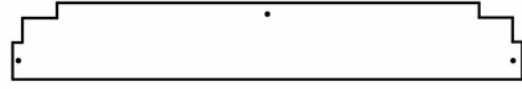


W5 x 1

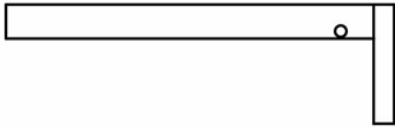
# Wood Parts List



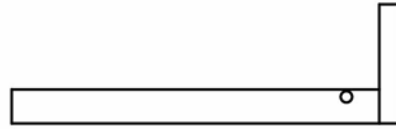
W6 x 1



W7 x 2



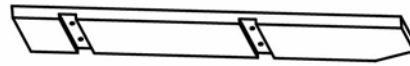
W8 x 1



W9 x 1



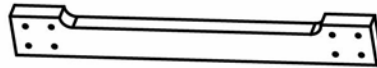
W10A x 1



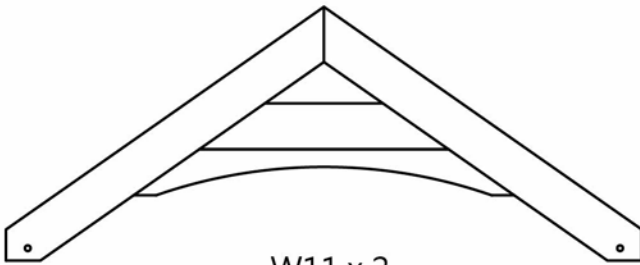
W10B x 1



W10C x 1



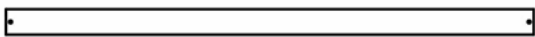
W10D x 1



W11 x 2

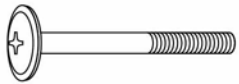


W12 x 1



W13 x 2

# HARDWARE PART LIST



B1 5/16\*28mm x 4pcs



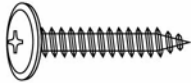
S6 3/16\*35mm x 50pcs



S1 1/4\*30mm x 4pcs



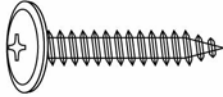
S7 3/16\*45mm x 14pcs



S2 1/4\*40mm x 4pcs



S9 3/16\*15mm x 6pcs



S3N 5/16\*45mm x 4pcs



S10 3/16\*25mm x 4pcs



V8 5/16 x 4pcs



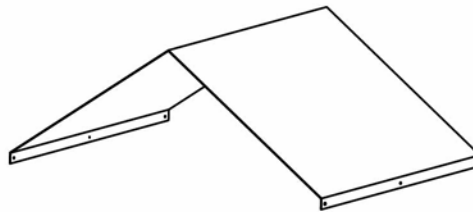
V20 1/4 x 4pcs



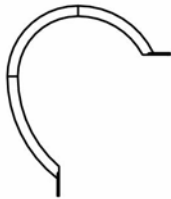
V4 5/16 x 4pcs



U3x 1pc



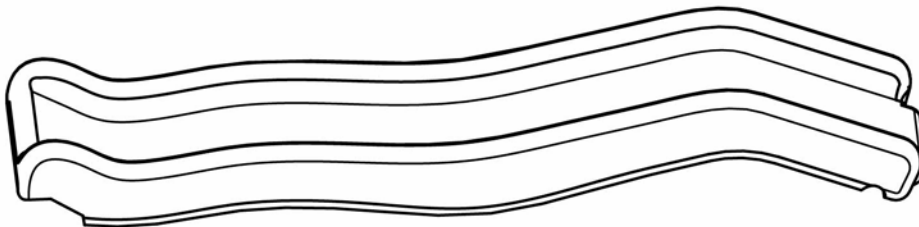
U7 x 1pc



U4 x 2pcs



U6 x 1pc



U5x 1pc

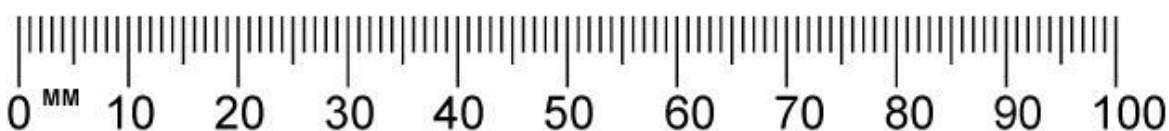
**NOTE: EXTRA HARDWARE MAY BE INCLUDED**

## Measuring Hardware

It is very important that you get the right hardware in the correct place when assembling the unit. You can use the ruler to measure your hardware or you can compare the hardware to the hardware identification page.

### **NOTES:**

- 1) Do not include bolt head when measuring length of bolt.
- 2) Include full length of deck screw when measuring



NOT TO SCALE

# HARDWARE PART LIST

## Wood Boards Needed:

Part No.	Quantity	Part No.	Quantity
W1	1	W3	1
W4	1		

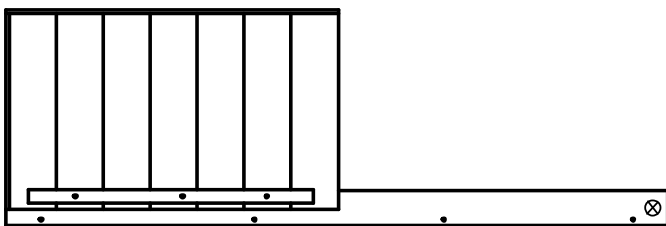
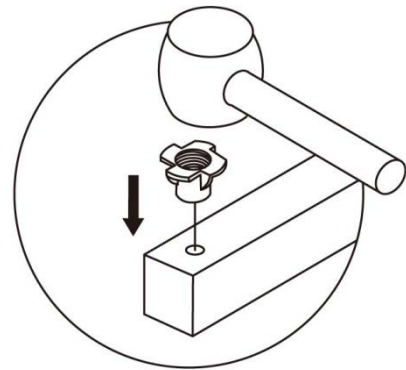
## Hardware needed:

Part No.	Quantity
V4	4

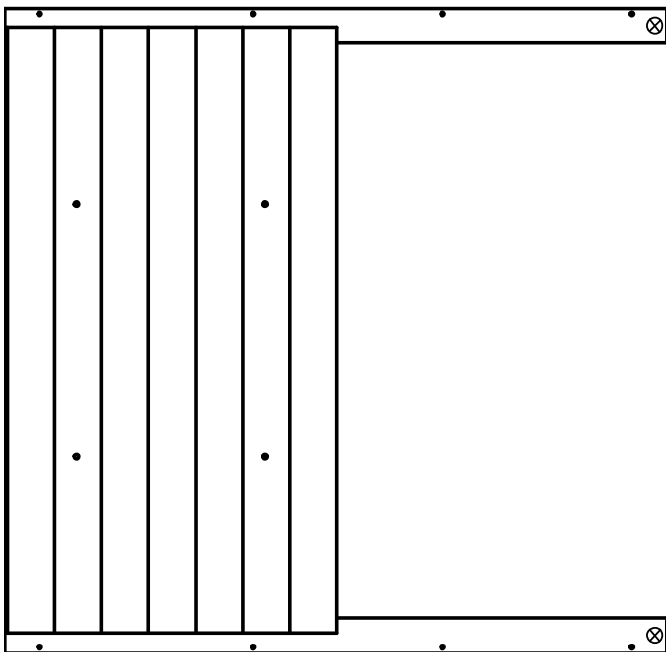
Please pre-assemble the wood boards listed above before you begin to assemble the product. Hammer the square head rivets into the pre-drilled holes as shown below.



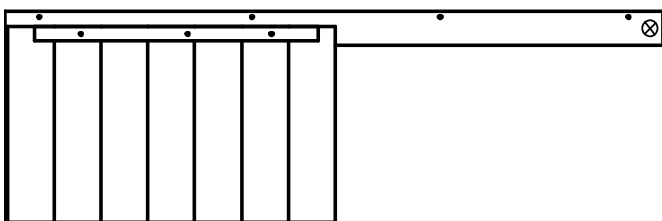
V4 - Small Square Head Rivet for the following:



Wood Part – W1 (1)



Wood Part – W3 (1)



Wood Part W4 (1)

# STEP 1

## Wood boards needed:

W1 1pc                      W2 1pc

## Hardware needed:

S6 4pcs                      S7 3pcs

Connect W1 to W2, using S6 (4pcs) and S7 (3pcs) as shown in FIGURE 1.

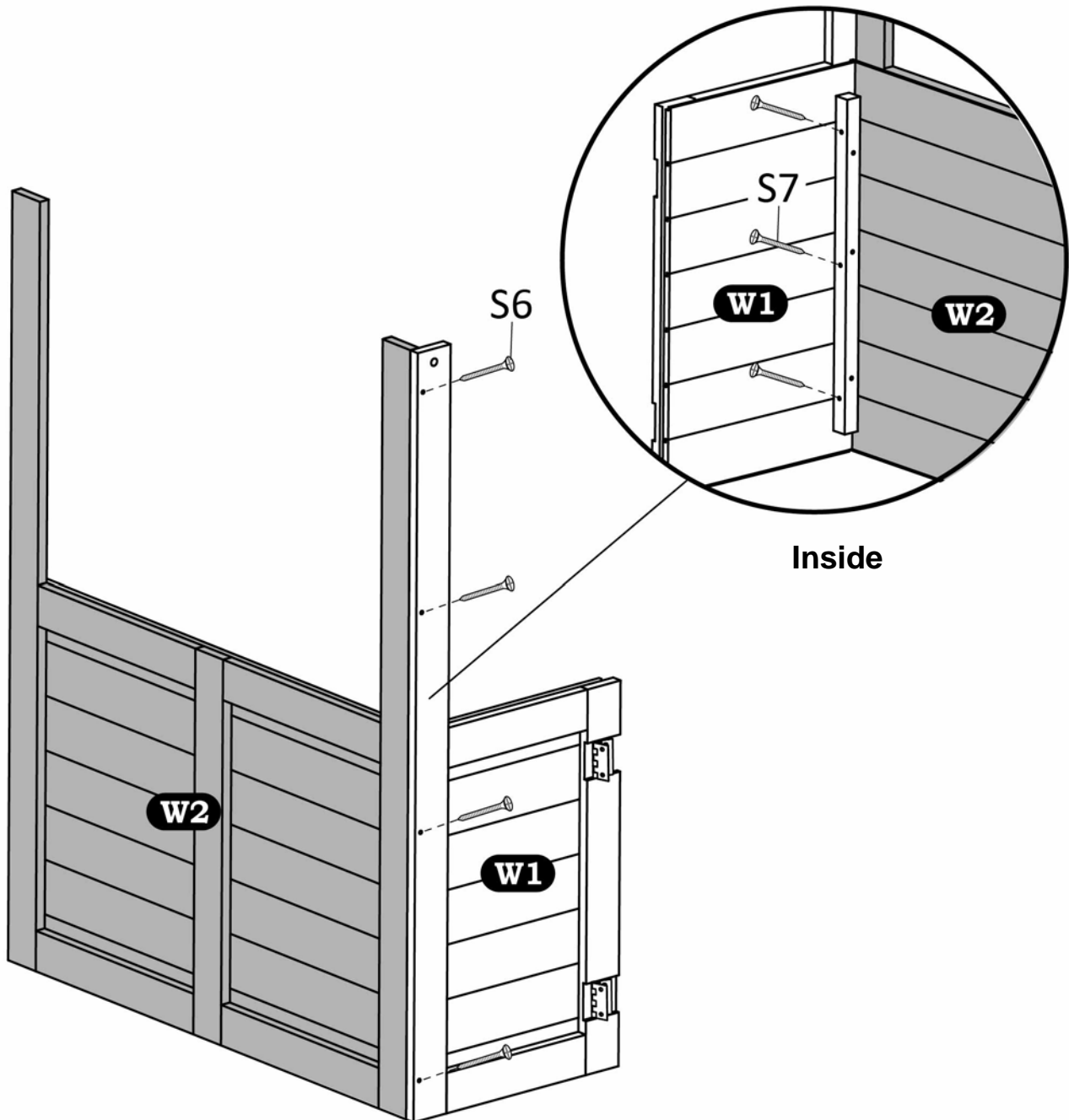


FIGURE 1

## STEP 2

### Wood boards needed:

W3 1pc

### Hardware needed:

S6 4pcs

Connect W3 to W2, using S6 as shown in FIGURE 2.

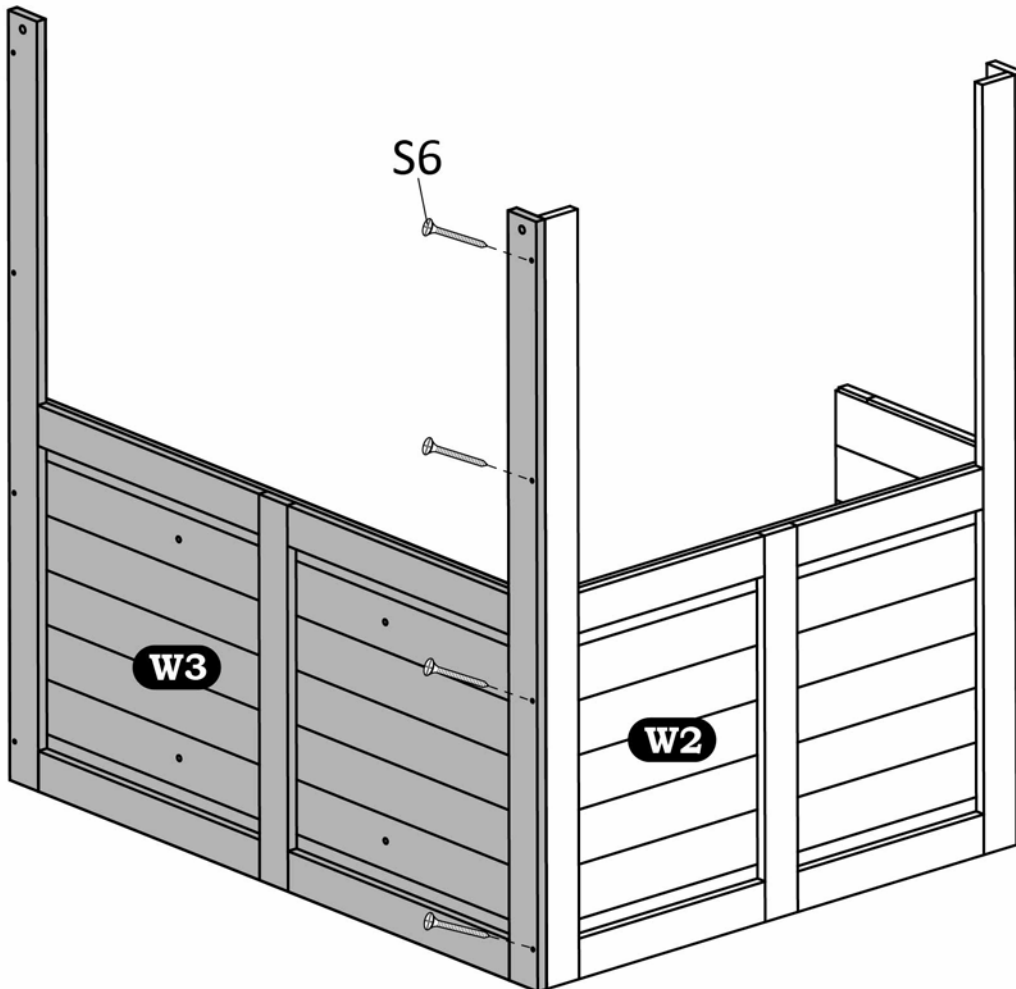


FIGURE 2

## STEP 3

### Wood boards needed:

W2 1pc

### Hardware needed:

S6 4pcs

Connect W2 to W3, using S6 as shown in FIGURE 3.

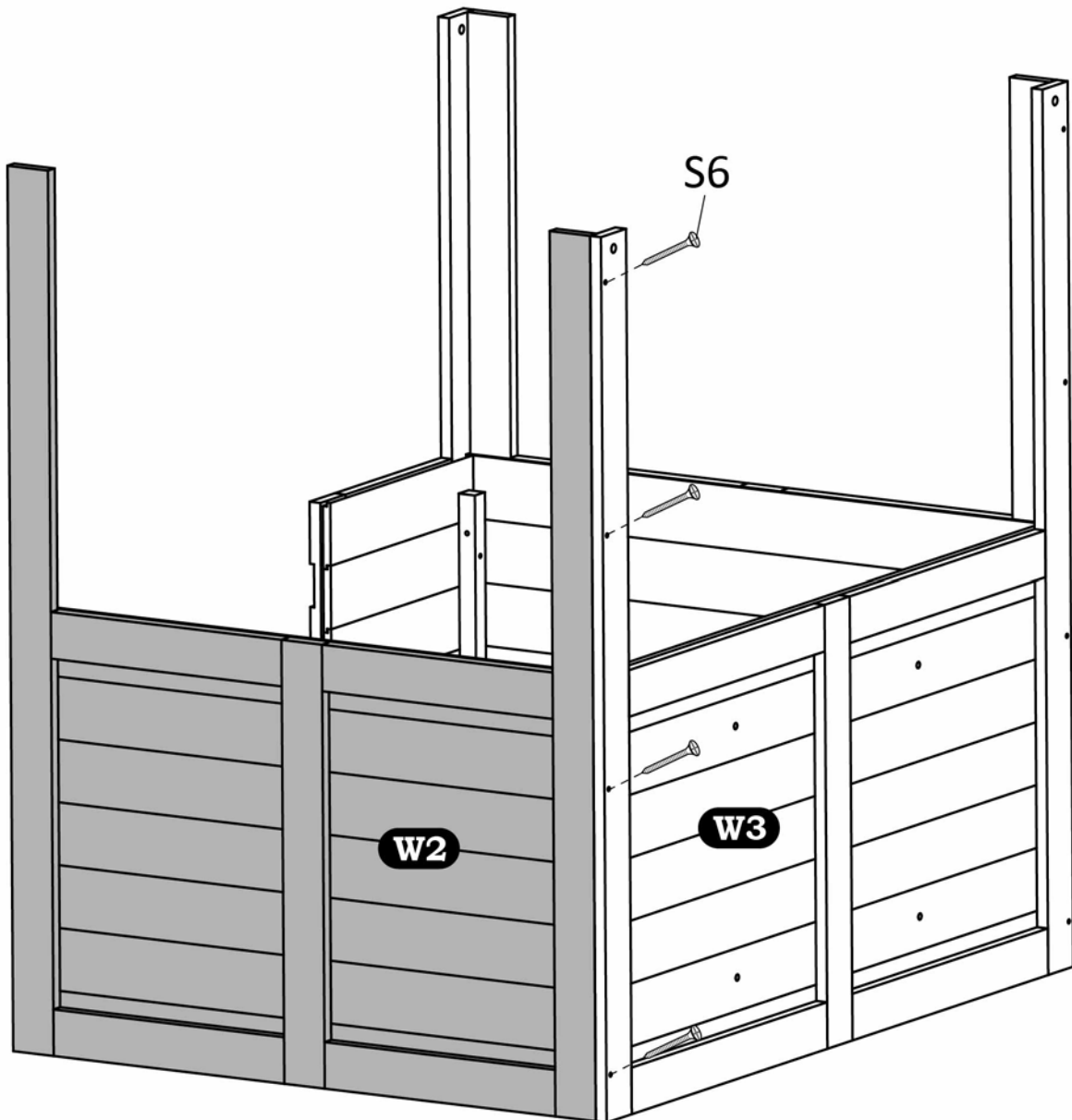


FIGURE 3

## STEP 4

### Wood boards needed:

W4 1pc

### Hardware needed:

S6 4pcs

S7 3pcs

Connect W4 to W2, using S6 (4pcs) and S7 (3pcs) as shown in FIGURE 4.

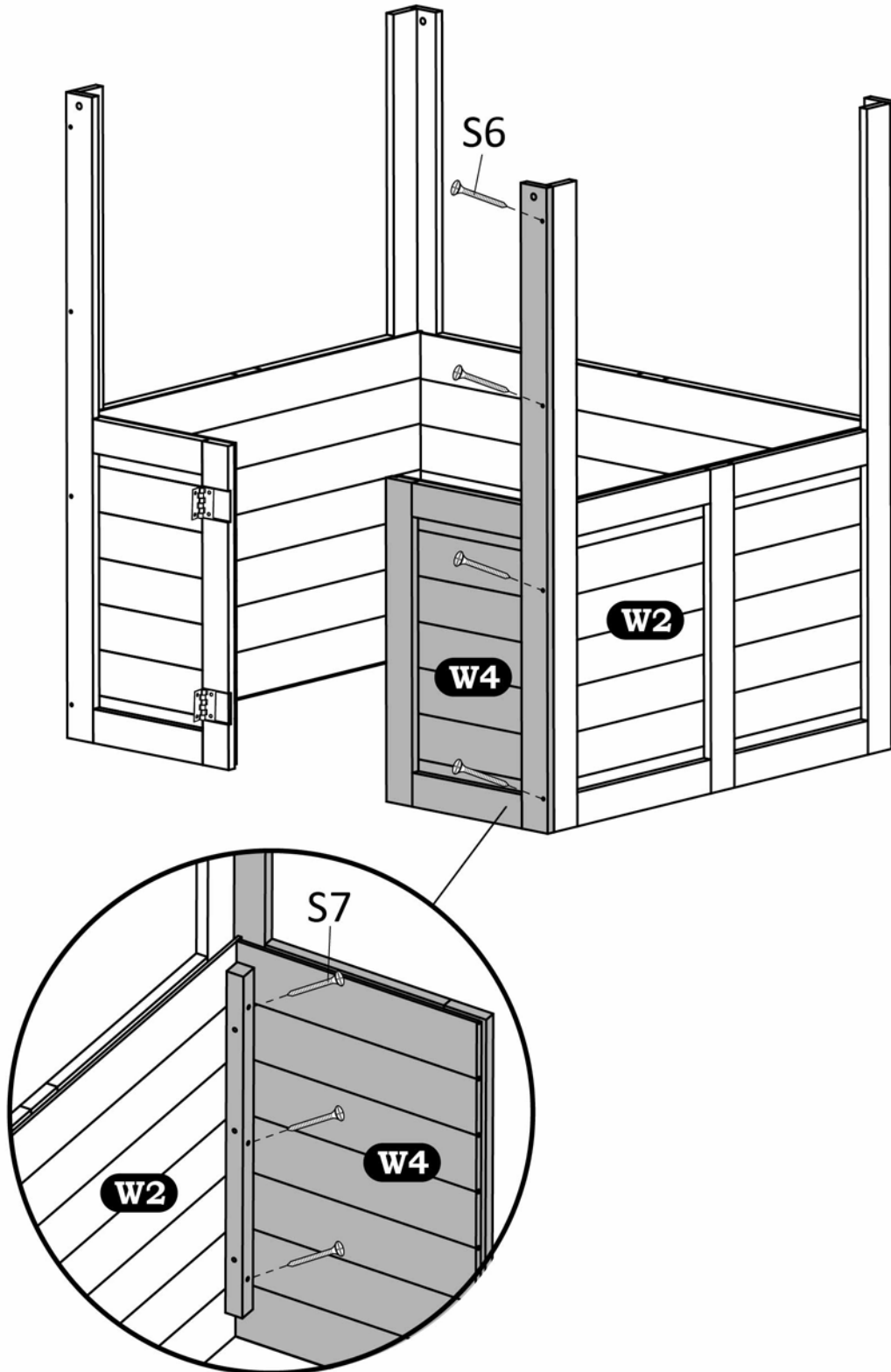


FIGURE 4

## STEP 5

### Wood boards needed:

W5 1pc

### Hardware needed:

S6 8pcs

Connect W5 to W1 and W4, using S6 (8pcs) as shown in FIGURE 5.

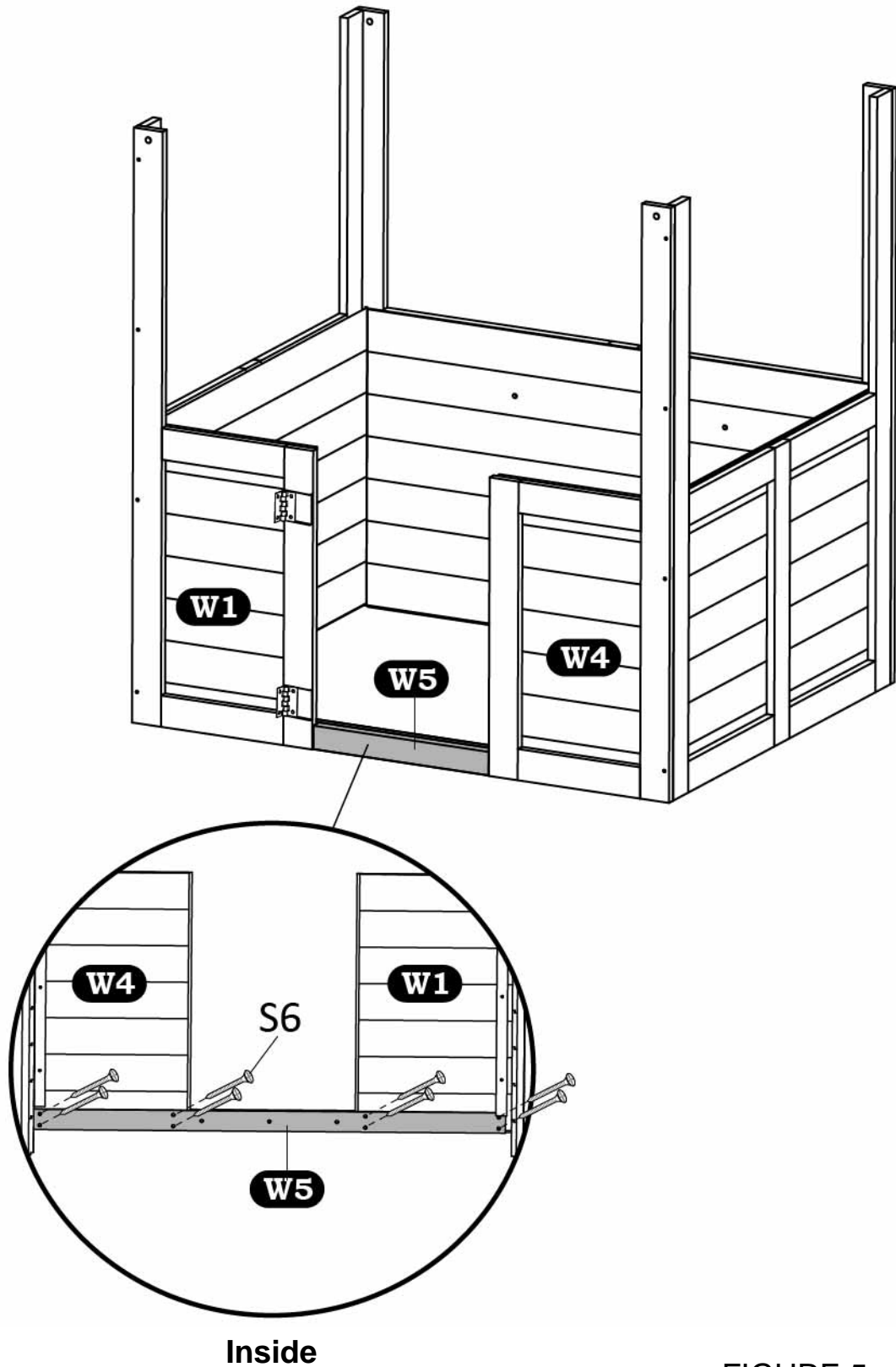


FIGURE 5

## STEP 6

### Wood boards needed:

W7 2pcs

### Hardware needed:

S6 6pcs

Connect W7 to W1, W2 and W3, using S6 (3pcs).

Connect W7 to W4, W2 and W3, using S6 (3pcs) as shown in FIGURE 6.

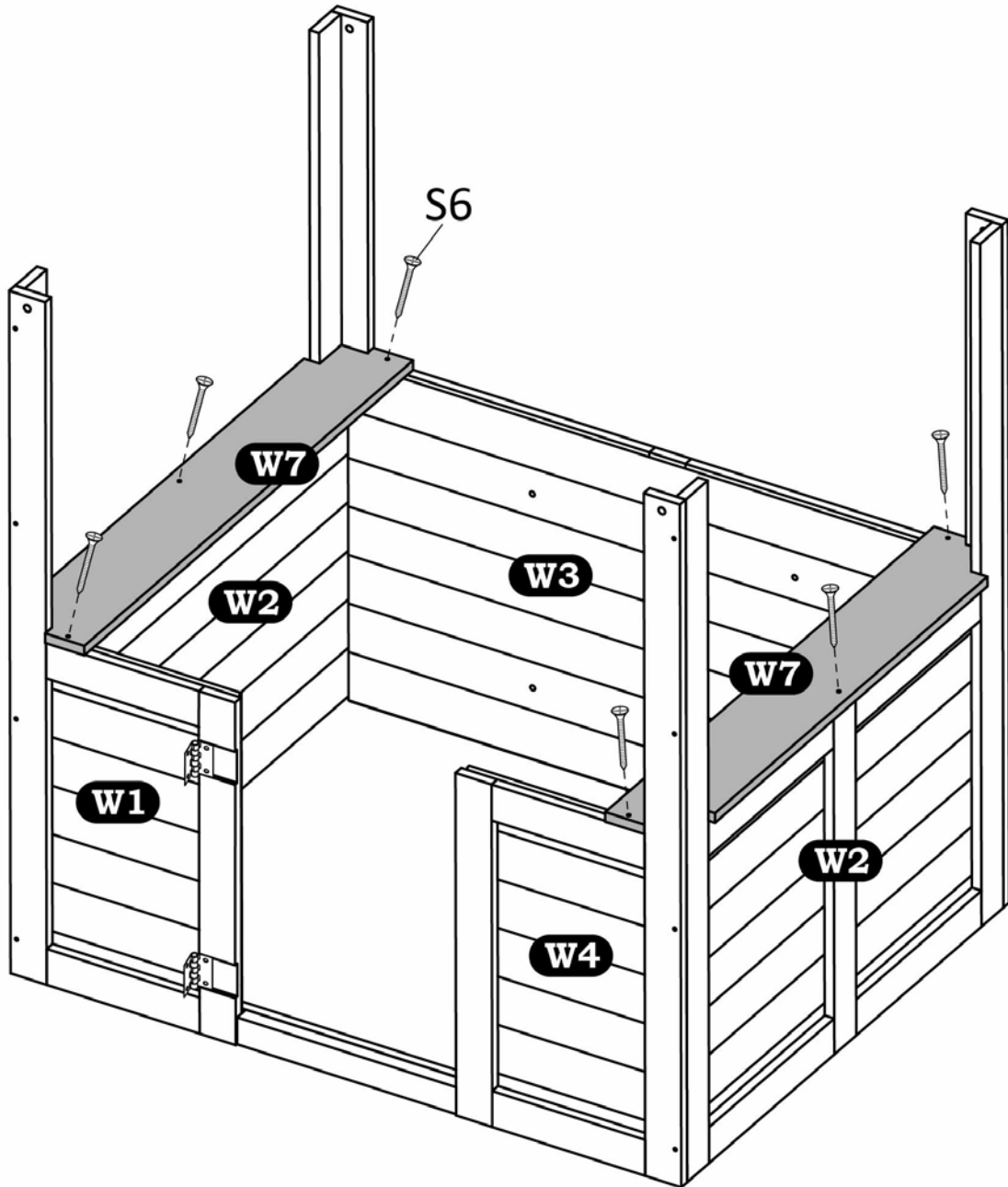


FIGURE 6

# STEP 7

## Wood boards needed:

W8 1pc      W9 1pc

## Hardware needed:

S2 4pcs      V20 4pcs  
U53 1pc

Insert U53 into W8 and W9 as shown in Diagram A.

Connect W8 and W9 to W3, using S2 and V20 (4sets) as shown in Diagram B.

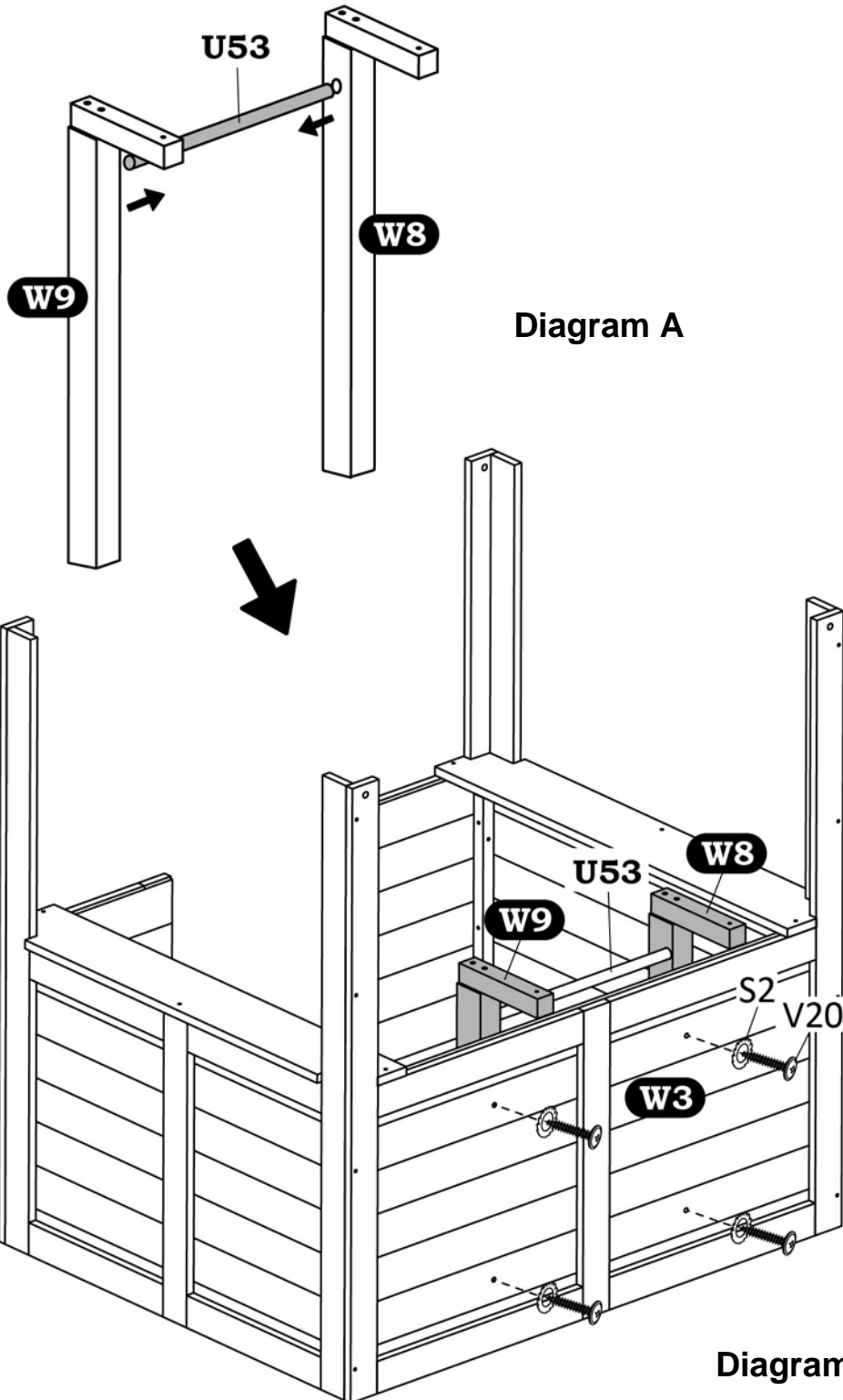


Diagram B

FIGURE 7

## STEP 8

### Wood boards needed:

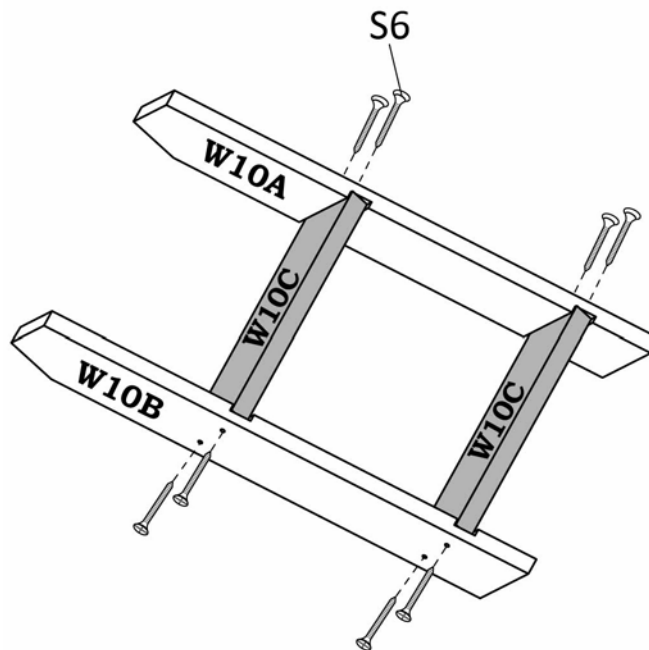
W10A	1pc	W10B	1pc
W10C	1pc	W10D	1pc

### Hardware needed:

S6	8pcs	S7	8pcs
----	------	----	------

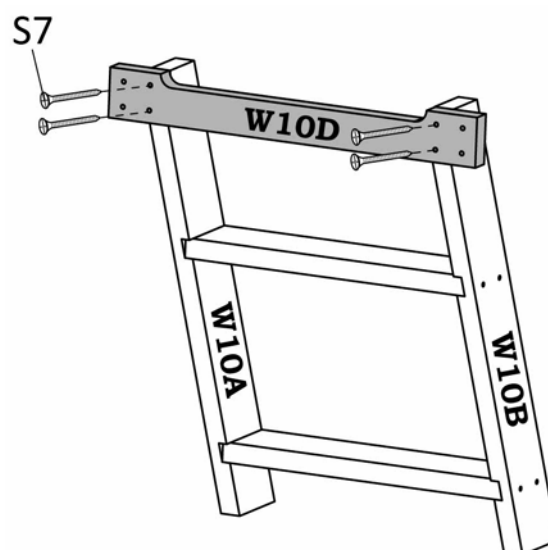
### ATTACH CLIMBING THE LADDER TO THE PLAYHOUSE IN THE FOLLOWING ORDER:

**A.** Insert W10C into W10A and W10B. Secure with S6 (8pcs) on both sides as shown in Diagram A.



**Diagram A**

**B.** Connect W10D to W10A and W10B, using S7 (4pcs) as shown in Diagram B.



**Diagram B**

C. Connect W10D to W8 and W9, using S7 (4pcs) as shown in Diagram C.

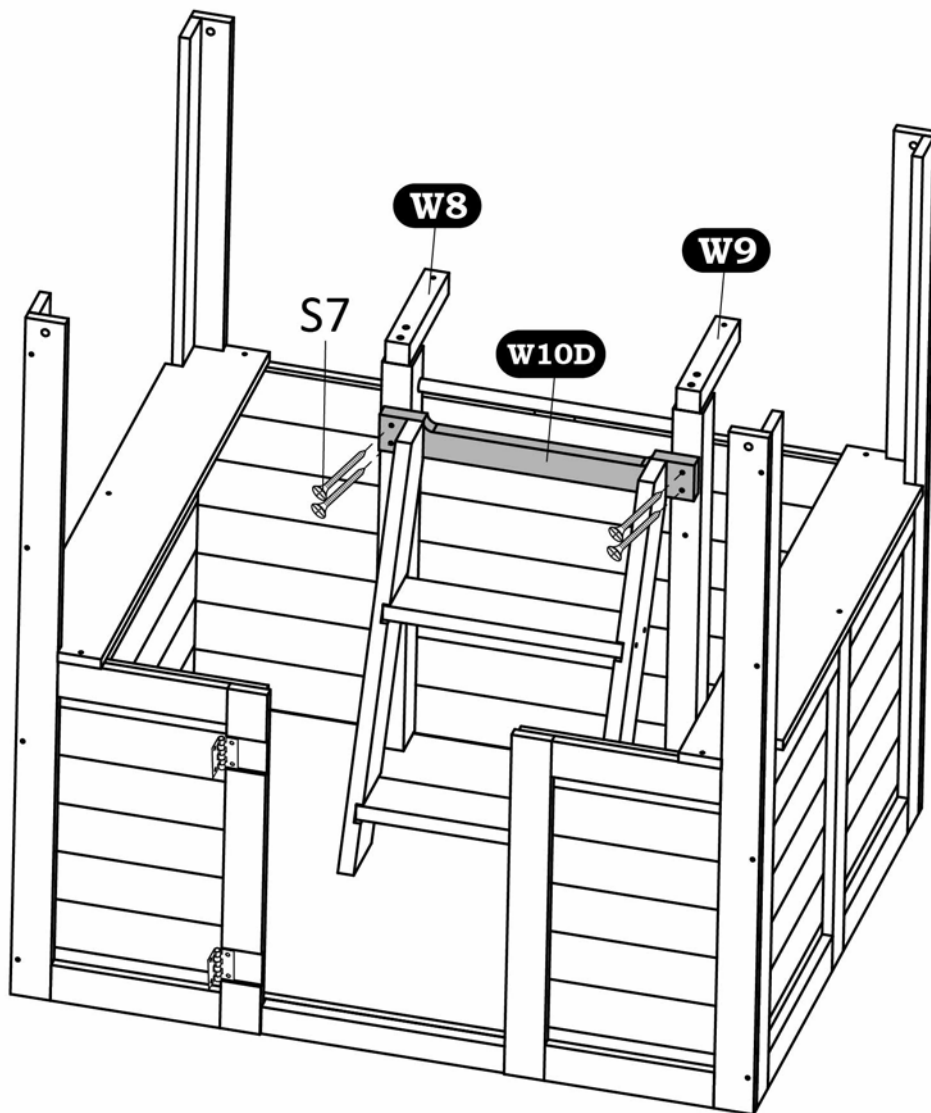


Diagram C

FIGURE 8

## STEP 9

### Hardware needed:

U54 2pcs S1 4pcs

Connect U54 to W8 and W9, using S1 (4pcs) as shown in FIGURE 9.

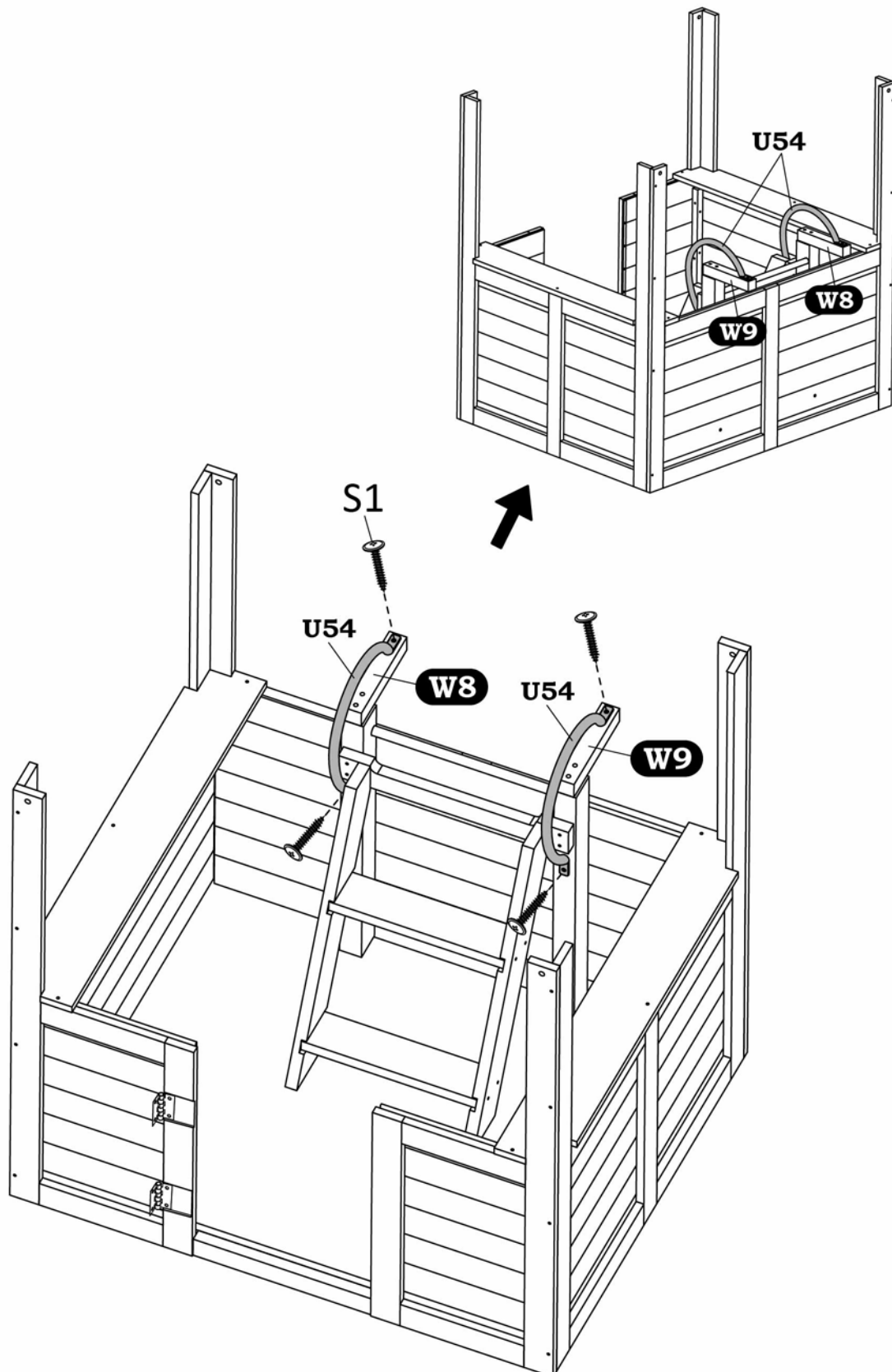


FIGURE 9

## STEP 10

### Wood boards needed:

W11 2pcs

### Hardware needed:

B1 4pcs

V8 4pcs

Connect W11 to W3, using B1, V8 (2sets).

Connect W11 to W1 and W4, using B1, V8 (2sets) as shown in FIGURE 10.

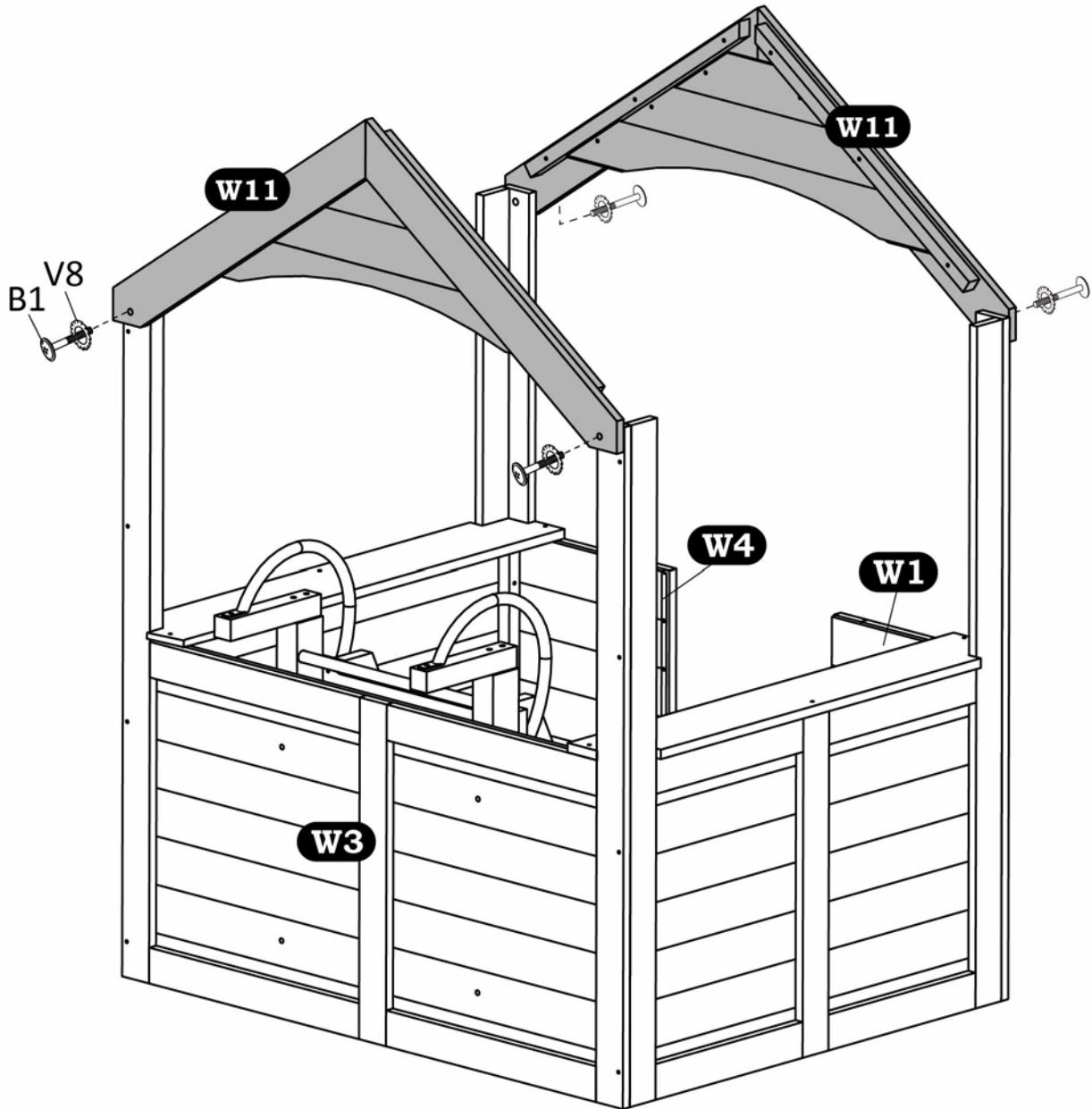


FIGURE 10

## STEP 11

### Wood boards needed:

W12 1pc      W13 2pcs

### Hardware needed:

S6 12pcs

Connect W12 to W11, using S6 (4pcs).

Connect W13 to W11, using S6 (8pcs) as shown in FIGURE 11.

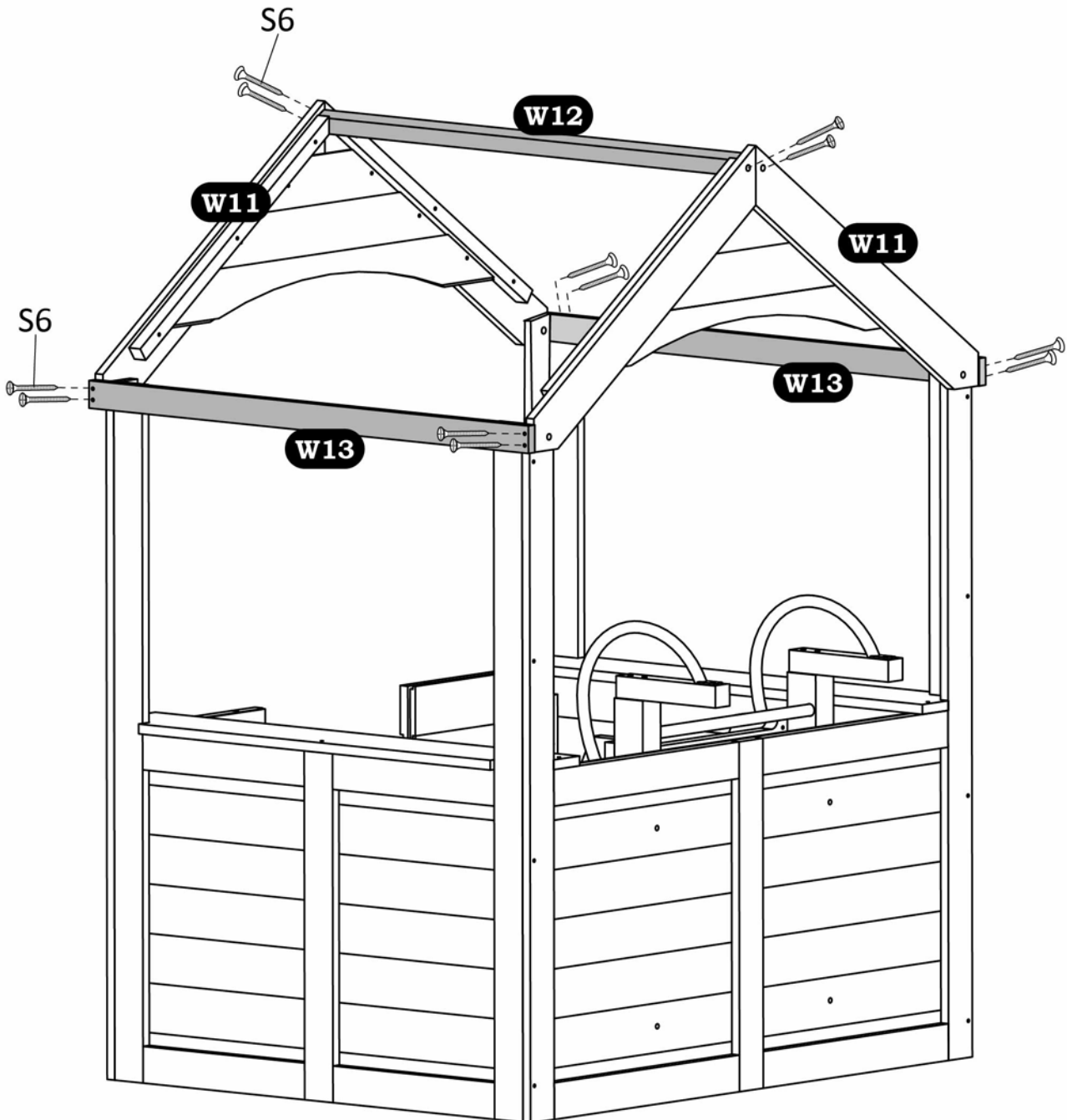


FIGURE 11

## STEP 12

### Wood boards needed:

W6 1pc

### Hardware needed:

S10 4pcs

Connect W6 to W1, using S10 as shown in FIGURE 12.

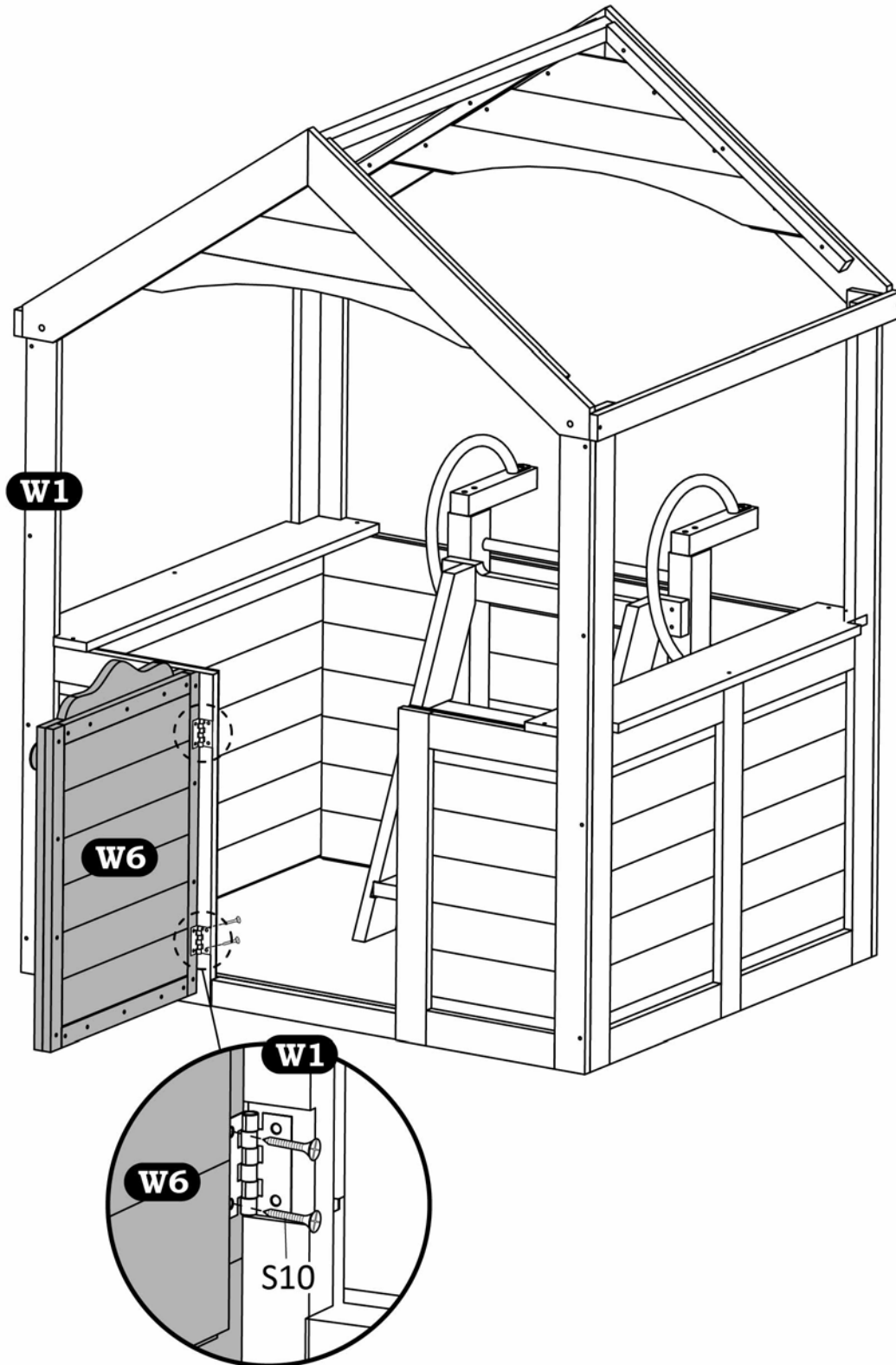


FIGURE 12

## STEP 13

### Hardware needed:

U57 1pc                      S9 6pcs

Connect U57 to W13, using S9 (6pcs) as shown in FIGURE 13.

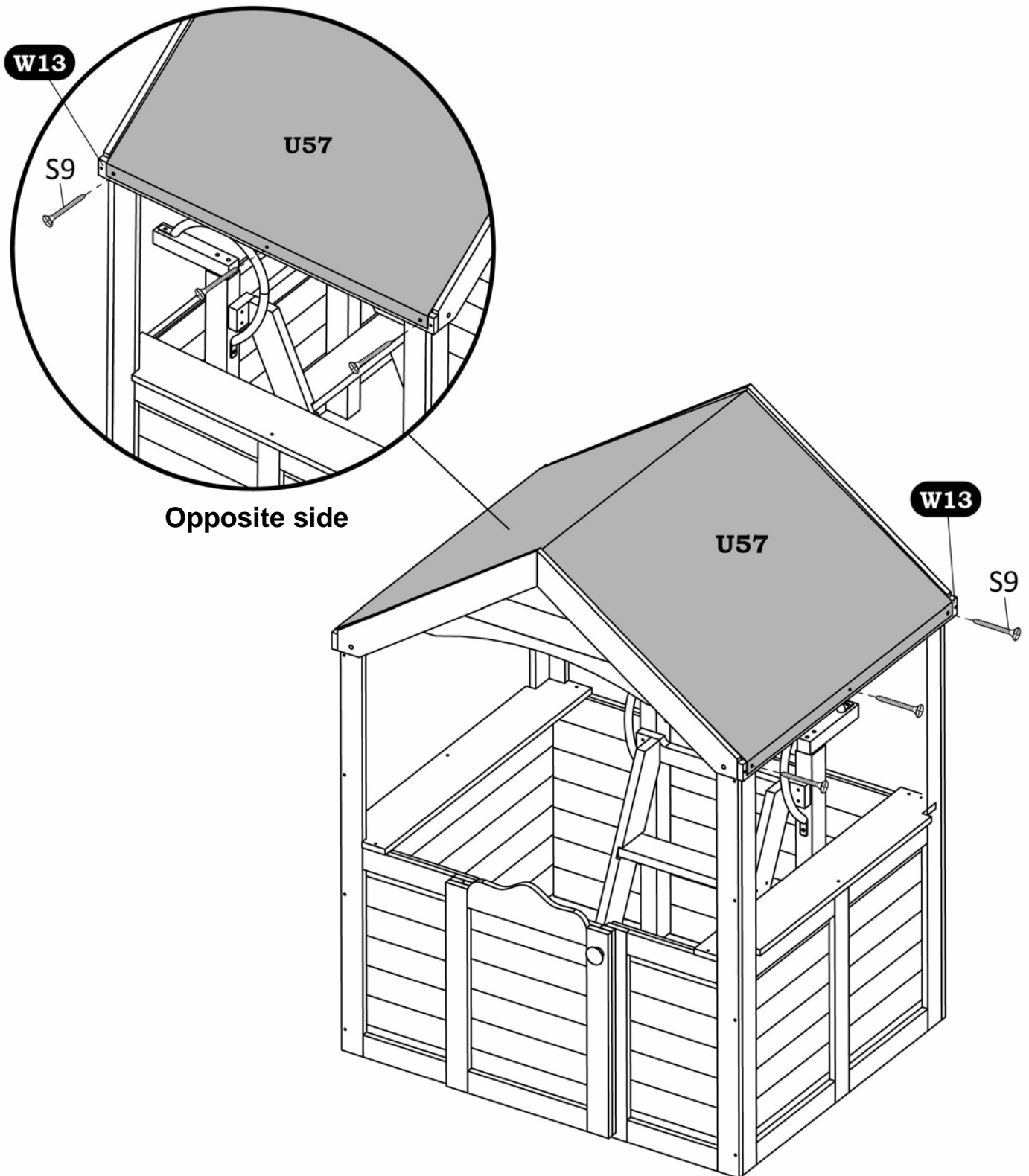


FIGURE 13

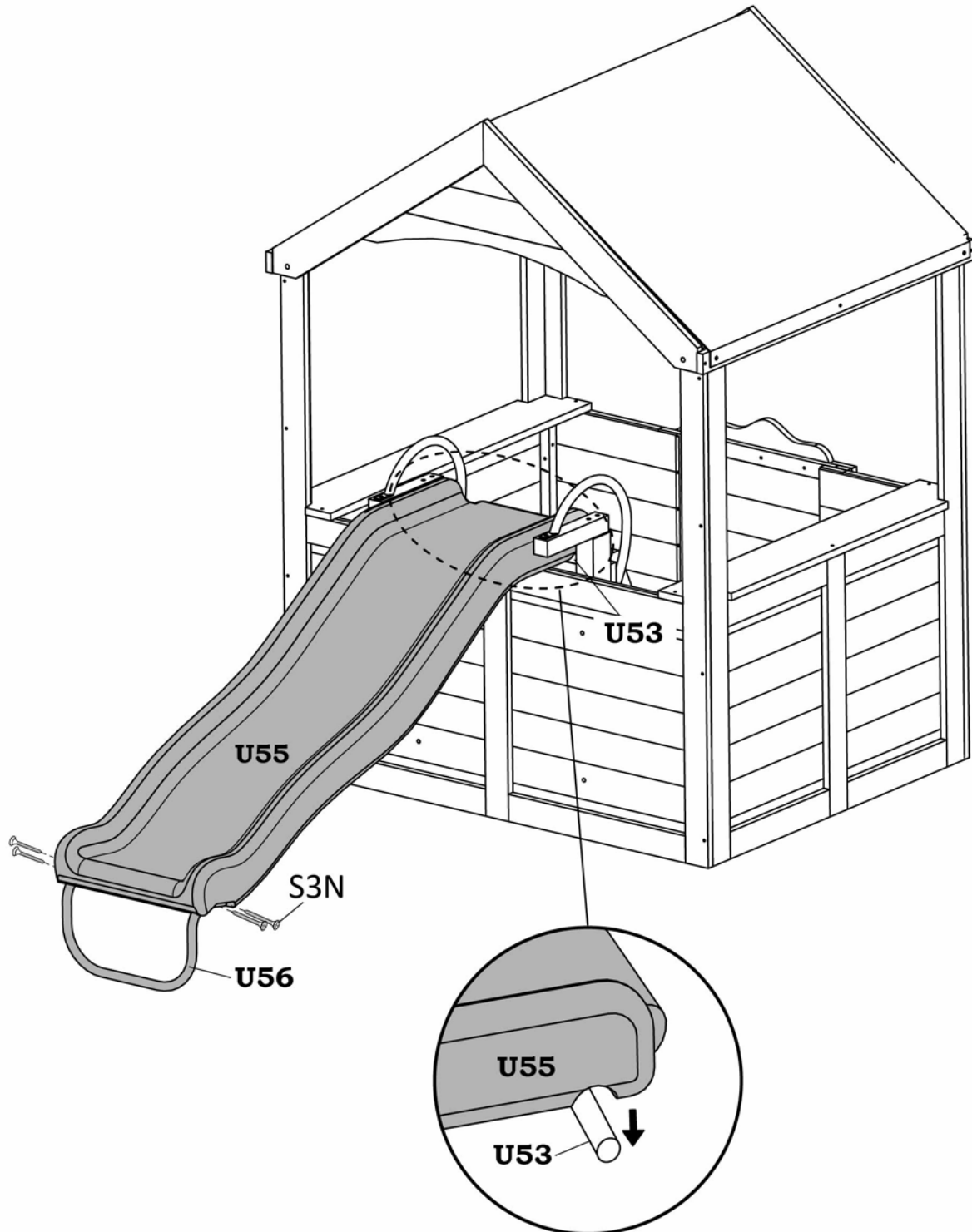
## STEP 14

### Hardware needed:

U55 1pc      U56 1pc      S3N 4pcs

Place U55 onto U53 as shown in Enlarged Diagram. Make sure the groove at the top of the slide is securely latched onto U53.

Connect U56 to U55, using S3N as shown in FIGURE 14.



Enlarged Diagram

FIGURE 14

## PRODUCT WARRANTY

Sportspower Ltd warrants its products to be free from defects in material and workmanship under normal use and service conditions for 180 days after the date of purchase. Extended warranty for an extra 90 days will be offered to those customers registering their products at [www.sportspowerltd.net](http://www.sportspowerltd.net) within 14 days from the date of purchase.

All warranty coverage extends only to the original purchaser of the product and is not assignable or transferable. The original store or online purchase receipt must be kept as proof of purchase in order for the warranty to be valid. These documents must be presented in the event of making a claim under warranty.

During the warranty period, Sportspower will provide repair or replacement of defective equipment or parts thereof covered by the warranty. Any handling, transportation, delivery and other incidental charges in respect of the servicing of the equipment shall be borne by the Purchaser. If the product includes a number of accessories, only the defective part or accessory will be replaced.

The warranty will become void if any defects or damages are associated with the use of unauthorized replacement parts. All replacement parts must be obtained from Sportspower authorized agents.

All decisions made by Sportspower in respect of the servicing of the equipment (including repairs, replacements or issues relating to defects of workmanship or materials) shall be conclusive and the Purchaser agrees to be bound by such decisions. Any defective equipment or part thereof replaced shall become the property of Sportspower.

In the event of a product or accessory being replaced during the guarantee, the guarantee on the replacement will expire at the original date, i.e. 180 days from the original purchase date.

This warranty excludes defects caused by the product not being used in accordance with instructions, accidental damage, misuse or being tampered with by unauthorized persons.

The Sportspower Limited Warranty does not cover:

- (a) Products used for commercial or rental purposes.
- (b) Loss or damage to product due to: (i) abuse, repairs and/or tampering by any person other than the authorized personnel of Sportspower; (ii) negligence and/or misuse (including foreign object, accident, improper storage, exposure to sun/moisture, excessive temperature, sand, dust, dirt, other pollution or other environmental conditions and failure to follow precautions or proper operating instructions stated in the User's Manual such as improper installations); (iii) fire, flood, lightning strike, wind storm or other acts of God; (vi) freight or improper transport damages, and (v) improper usage (including use by under-age, over-weight or excessive number of users permitted as stated in the User's Manual).
- (c) Defects, damages or accidents due to the malfunction, connection to or use of non-Sportspower or unauthorized parts. In such event, Sportspower reserves the right to cancel the Limited Warranty coverage immediately.

To the extent allowed by the applicable local law, the remedies in the Limited Warranty are the Purchaser's sole and exclusive remedies.

SPORTSPOWER IS NOT RESPONSIBLE OR LIABLE FOR INDIRECT, SPECIAL OR CONSEQUENTIAL DAMAGES ARISING OUT OF OR IN CONNECTION WITH THE USE OR PERFORMANCE OF THE PRODUCT OR OTHER DAMAGES WITH RESPECT TO ANY ECONOMIC LOSS, LOSS OF PROPERTY, LOSS OF REVENUE OR PROFITS, LOSS OF ENJOYMENT OR USE, COST OF REMOVAL, INSTALLATION OR OTHER CONSEQUENTIAL DAMAGES. SOME STATES DO NOT ALLOW THE EXCLUSION OR LIMITATION OF INCIDENTAL OR CONSEQUENTIAL DAMAGES. ACCORDINGLY, THE ABOVE LIMITATION MAY NOT APPLY TO YOU.

THE WARRANTY EXTENDED HEREUNDER IS IN LIEU OF ALL OTHER WARRANTIES AND ANY IMPLIED WARRANTY OF MERCHANTABILITY OR FITNESS FOR A PARTICULAR PURPOSE IS LIMITED IN ITS SCOPE AND DURATION TO THE TERMS SET FORTH HEREIN. SOME STATES DO NOT ALLOW LIMITATIONS ON HOW LONG AN IMPLIED WARRANTY LASTS. ACCORDINGLY, THE ABOVE LIMITATION MAY NOT APPLY TO YOU. THIS WARRANTY GIVES YOU SPECIFIC LEGAL RIGHTS. YOU MAY ALSO HAVE OTHER RIGHTS WHICH VARY FROM STATE TO STATE. THIS WARRANTY IS VALID ONLY IN THE UNITED STATES.

PLEASE NOTE: ANY REPAIRS OR REPLACEMENTS MUST BE MADE USING AUTHORIZED SPORTSPOWER PARTS IN ORDER FOR THIS WARRANTY TO BE VALID.

For Customer Service or to order Replacement Parts, please visit our website to find our toll-free numbers at: [www.sportspowerltd.net](http://www.sportspowerltd.net)

OR

send us an email at: [customerservice@sportspowerltd.net](mailto:customerservice@sportspowerltd.net)

## WARRANTY REGISTRATION

Please register on-line at [www.sportspowerltd.net](http://www.sportspowerltd.net) to tell us more about yourself. This is not required for validation of the normal product warranty, but when you register on-line, we will offer to you extended warranty of 90 days subject to proof of your purchase. Please refer to your manual for warranty details.

All data will be treated with strict confidentiality.