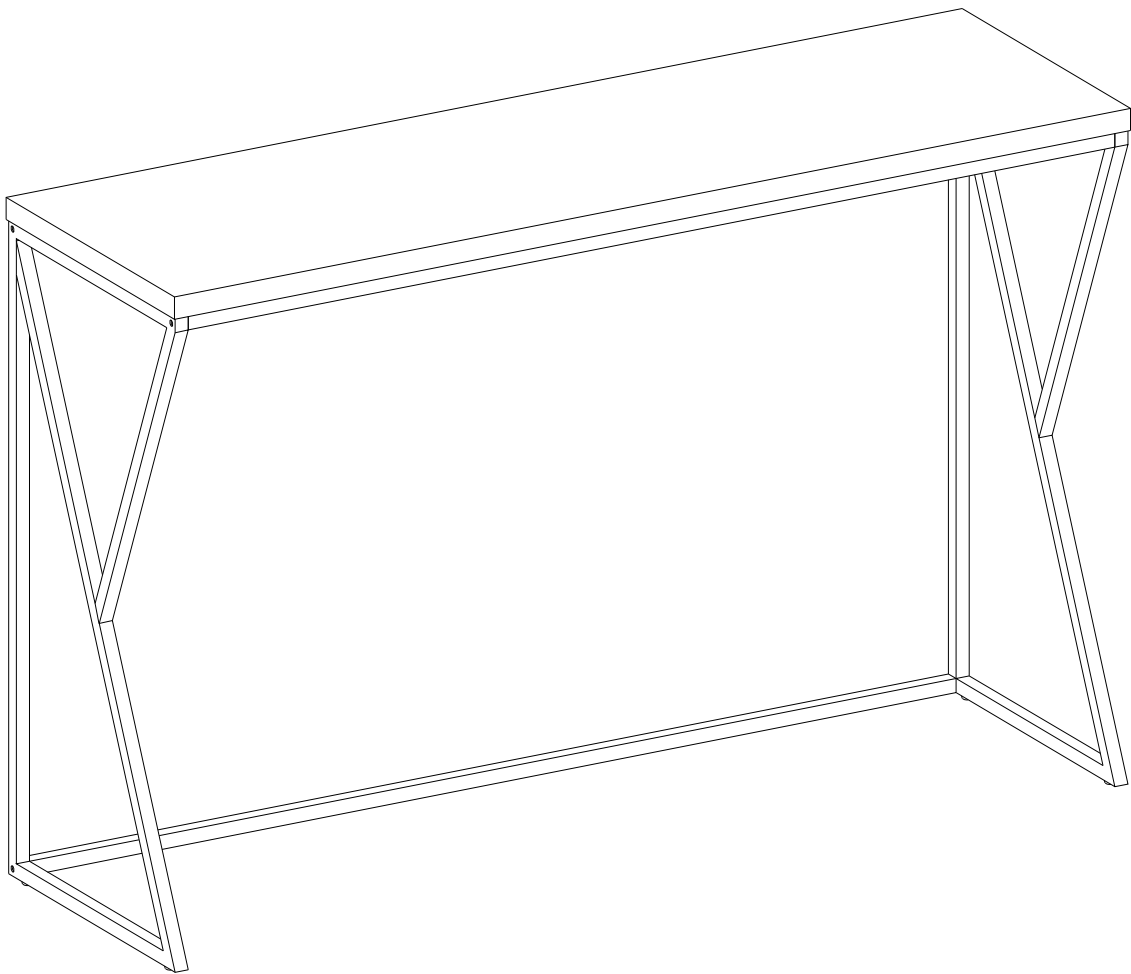
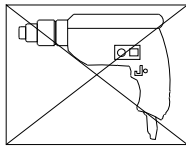


Assembly Instructions



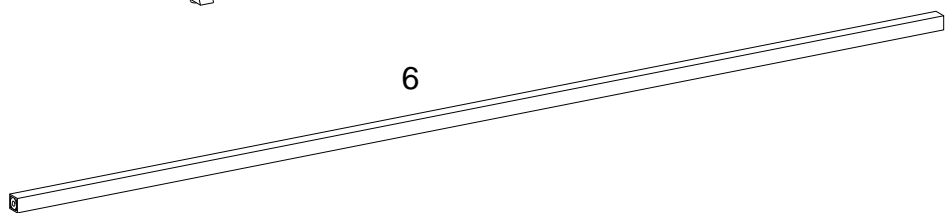
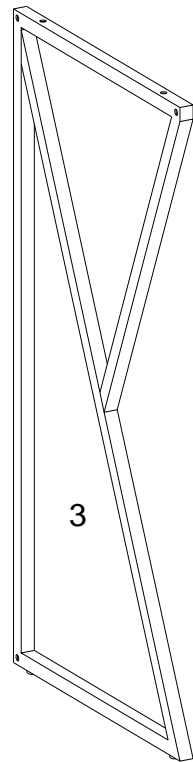
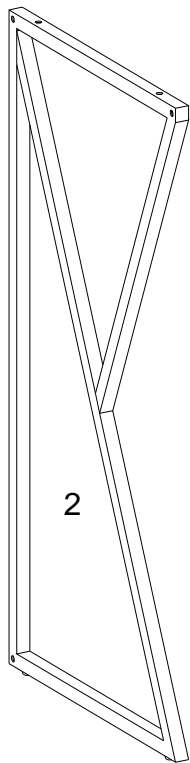
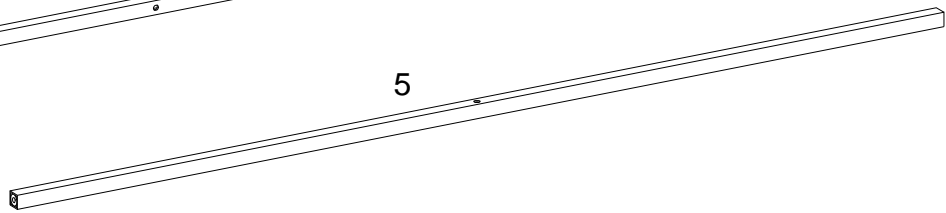
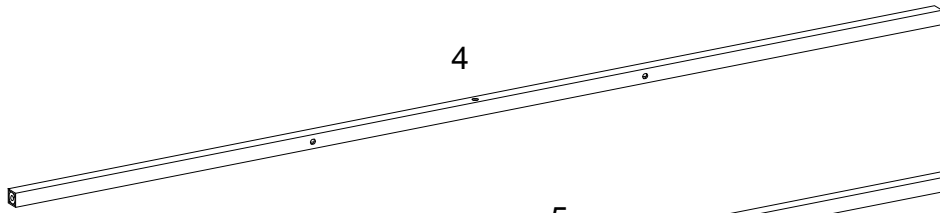
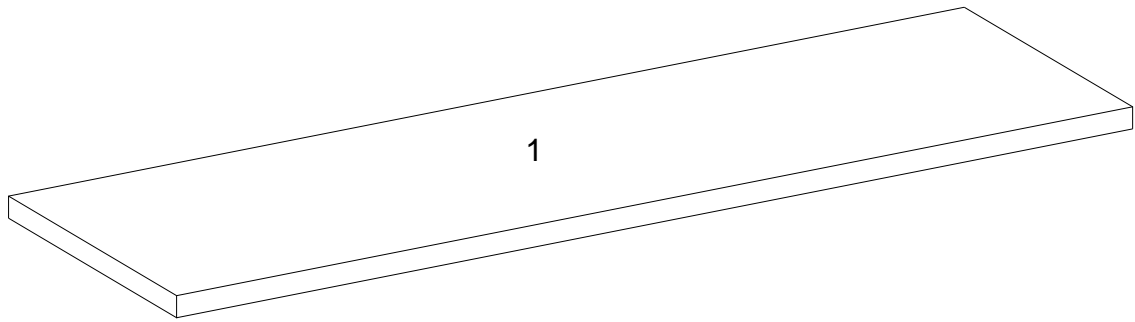
General Assembly Guidelines

- I. Ensure that all parts and hardware are available before beginning assembly.
- II. Follow each step carefully to ensure the proper assembly of this product.
- III. Two people are recommended for ease in the assembly of this product.
- IV. The main type of hardware used to assemble this product are: bolts and screws.
- V. Power tools should not be used to assemble this product.


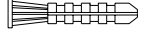






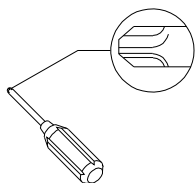
- VI. Drill may be needed for securing product to wall.

Parts List



Hardware List

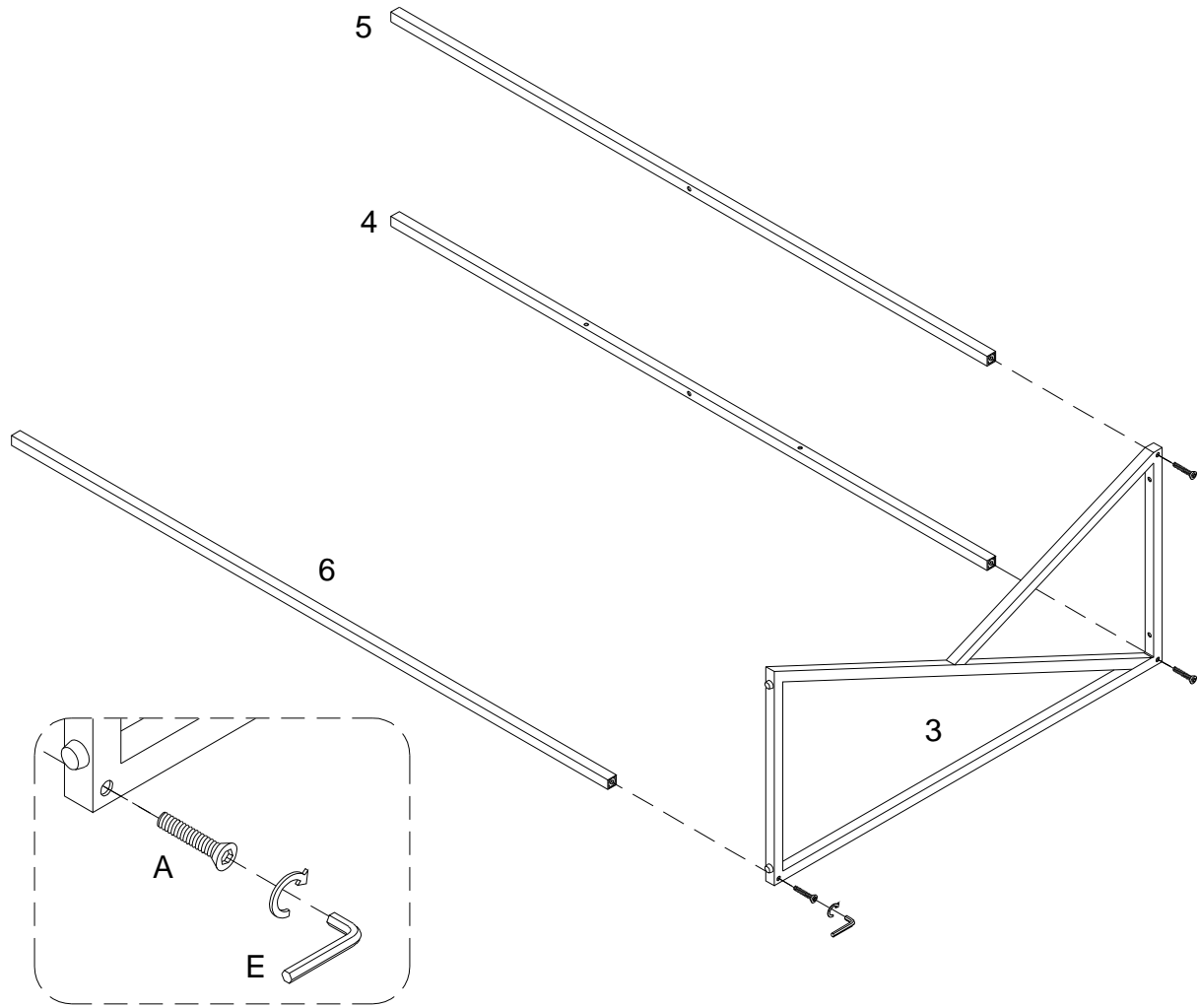
A		Ø6x27mm	Bolt	12	pcs
B			Nut	2	pcs
C		Ø5x60mm	Screw	2	pcs
D			Flat washer	2	pcs
E		M 4	Hex key	1	pc
F			Wrench	1	pc



Philips head screwdriver required for assembly
(not included)

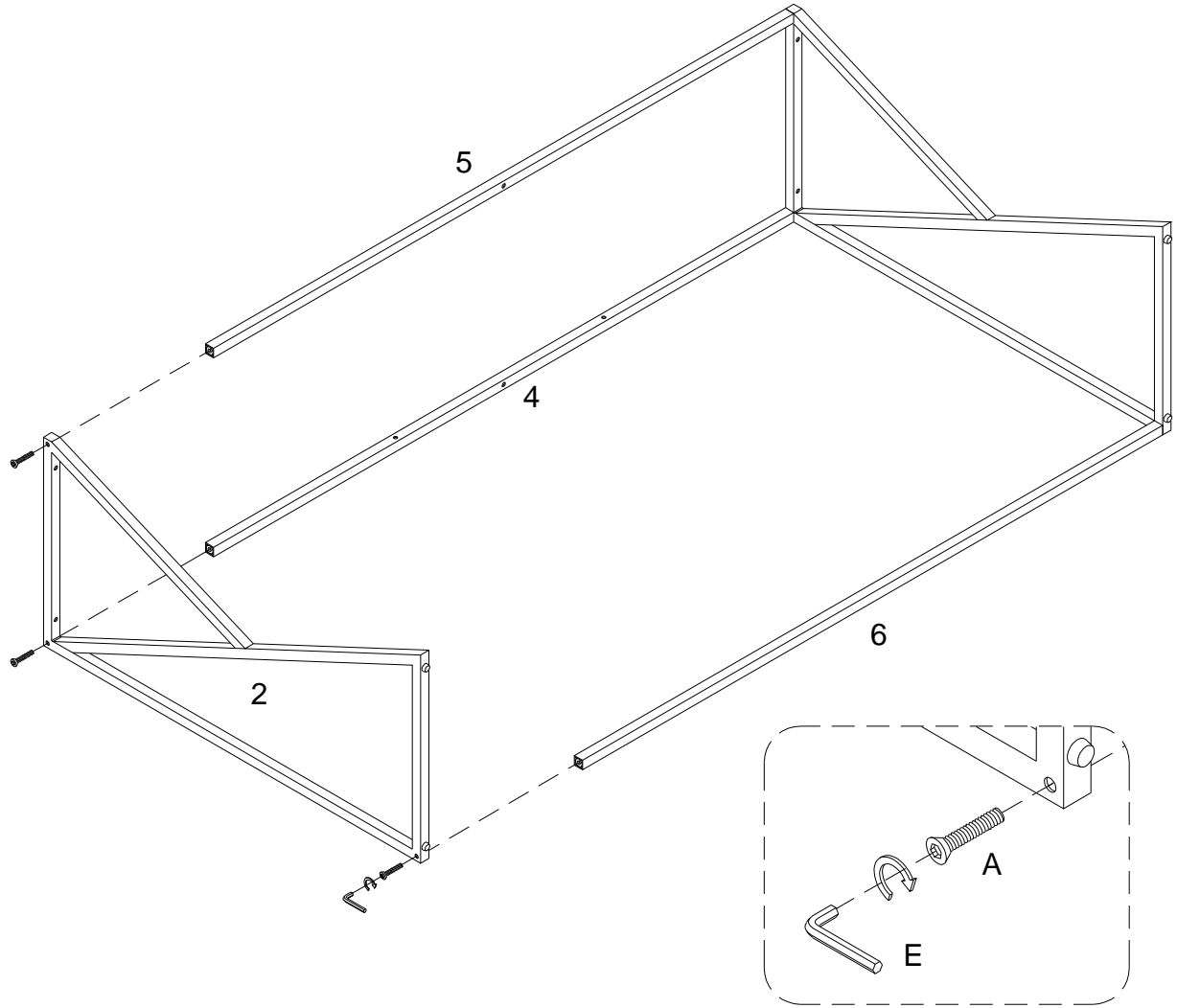
*The hardware quantities listed above are required for proper assembly.
Some extra hardware may also have been included.*

Step 1



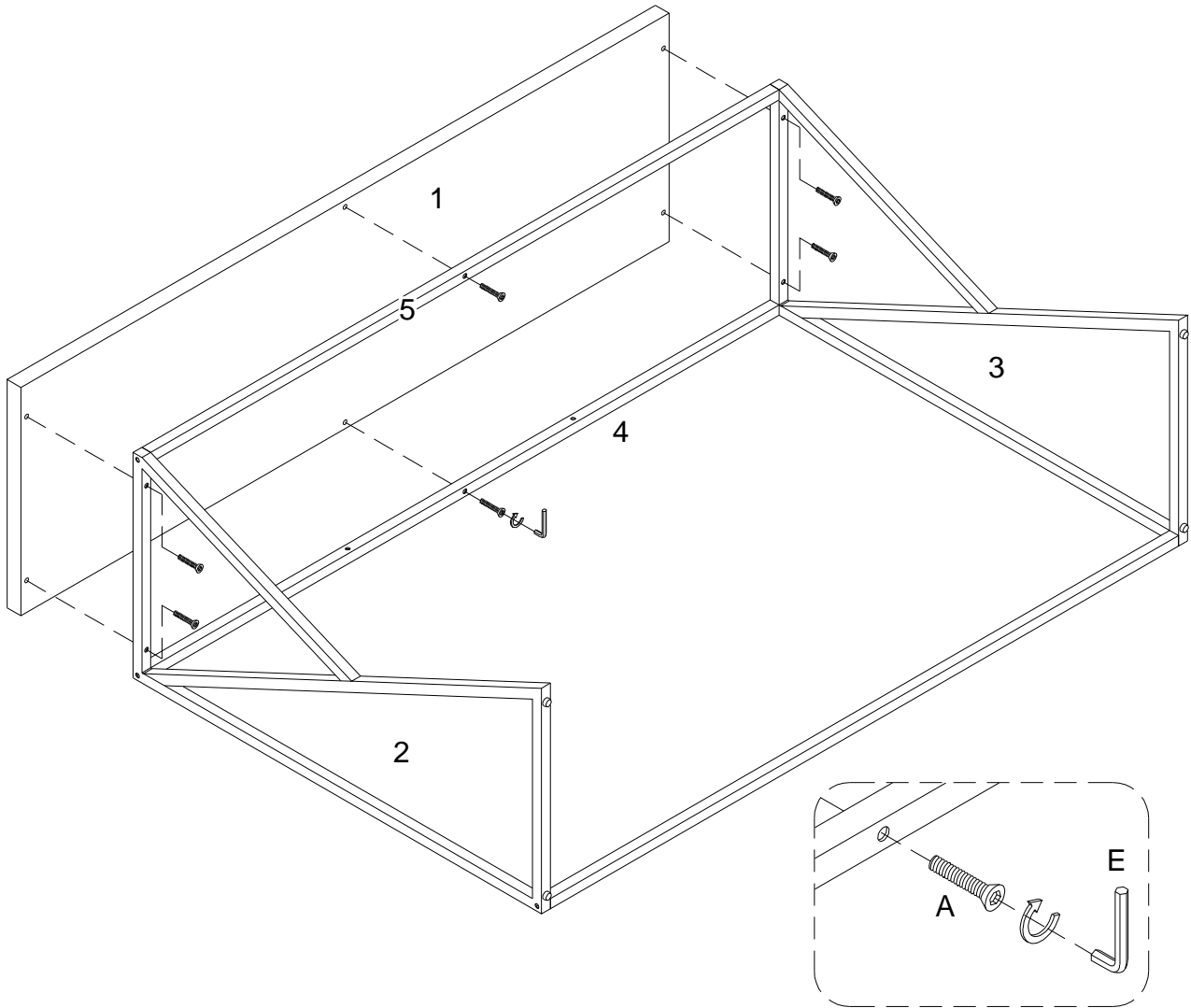
Using bolt (A) attach part (3) to parts (4,5,6) with Hex key (E) as per diagram.

Step 2



Using bolt (A) attach part (2) to parts (4,5,6) with Hex key (E) as per diagram.

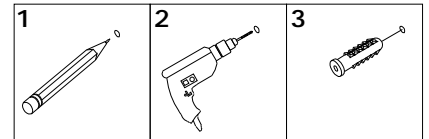
Step 3



Using bolt (A) attach parts (4,5) to part (1) with Hex key (E) as per diagram.

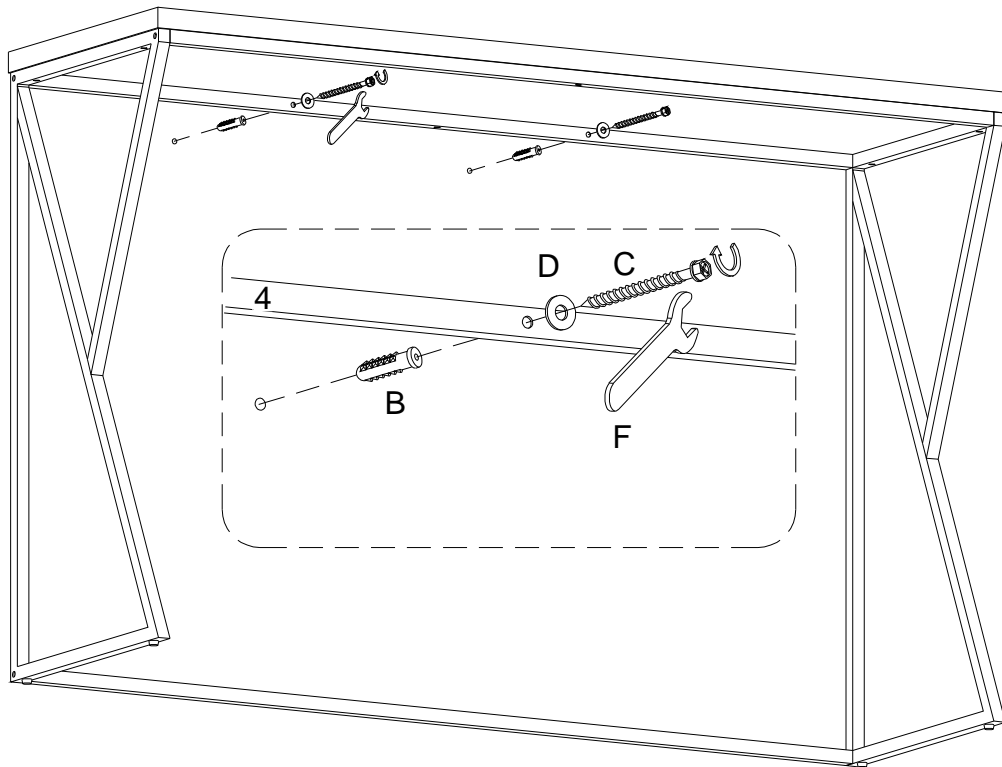
Step 4

WARNING



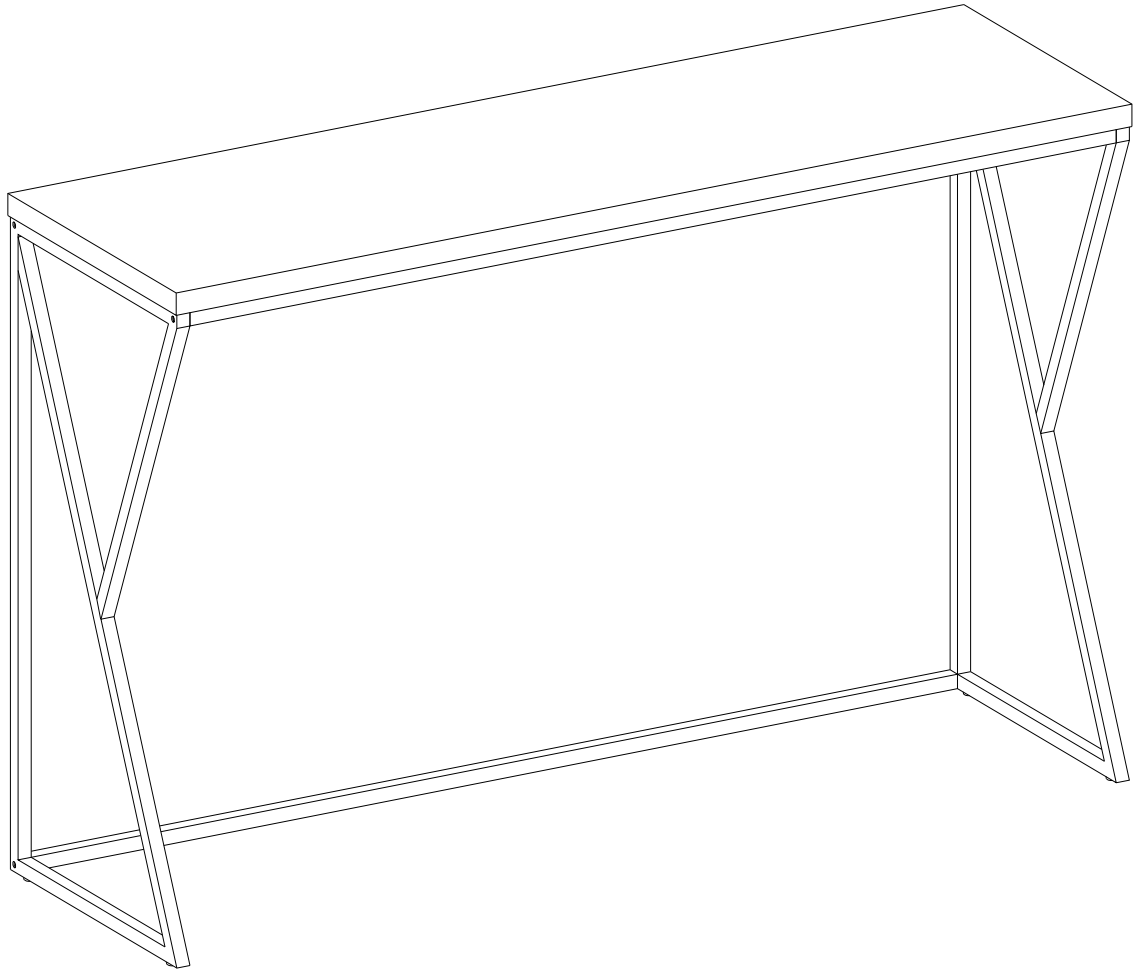
Serious or fatal injuries can occur from furniture tipping over. To prevent the furniture from tipping over we recommend that it is permanently fixed to the wall. Wall anchor and hardware are included with this product. Please make sure hardware is suitable for your walls before installing, as different wall materials may require different types of anchors.

Wall



Using screw (C) insert Flat washer (D) attach part (4) into Nut (B) to wall with Wrench (F) as per diagram.

Step 5



Final Assembly