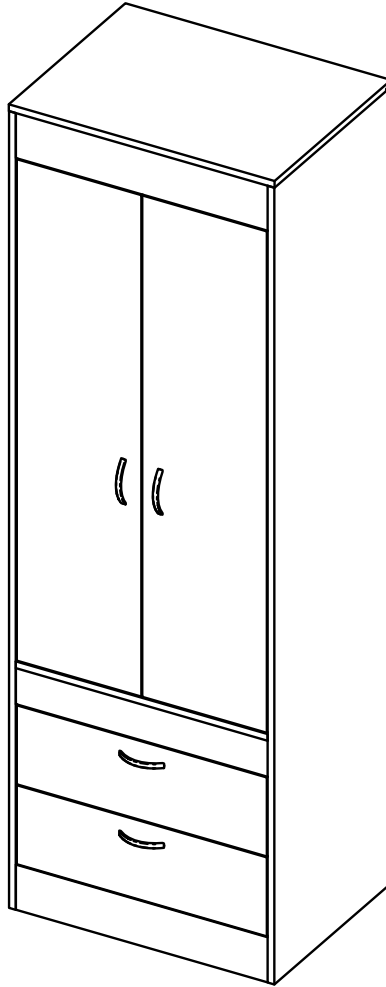


# ASSEMBLY INSTRUCTIONS

## ARMOIRE



**WARNING**

Children have died from furniture tip over. To reduce the risk of tip over:

- ALWAYS secure this furniture to the wall using an anti-tip device.
- NEVER allow children to stand, climb, or hang on drawers, doors or shelves.
- Do not defeat or remove the drawer interlock system.
- Place heaviest items in the lowest drawers.
- NEVER put a TV on this furniture.

To ensure the safety of those using this cabinet, it is crucial to properly secure it to the wall using a tip-over device. This product includes the necessary items for fixing the furniture to the wall. However, it is important to note that incorrect installation or failure to use the tip-over device can result in serious injury or even death.

For this reason, we highly recommend that a professional installer handle the installation of the cabinet to the wall.



## IMPORTANT RECOMMENDATIONS

Do not paint the cabinet.

The cabinet **MUST** be used exclusively indoors, do not expose to direct sun.

Clean metallic hardware with a dry cloth.

Do **NOT** overload the cabinet (see suggested loads).

Do not hit or hammer the cabinet (just when indicated).

Clean with a slightly damp cloth, use gentle soaps.

Do not drag, lift and move between two people.

Avoid direct contact with water, fire or exposure to heat sources.

## RECOMENDACIONES IMPORTANTES

No pintar el mueble.

El mueble debe ser usado únicamente en interiores, no exponer al sol directo.

Limpiar los herrajes metálicos con un paño seco.

**NO** sobrecargar el mueble (ver las cargas sugeridas).

No golpear ni martillar el mueble (solo cuando se indique).

Limpiar con un paño ligeramente húmedo, usar jabones suaves.

No arrastre el mueble, levántelo entre dos personas.

Evite el contacto directo con el agua, el fuego o la exposición a fuentes de calor.



### WARNING

Never allow children to climb or manipulate the cabinet, furniture tip over can cause serious injuries or death.



### ADVERTENCIA

Nunca permita que los niños escalen o manipulen el mueble, la caída de este puede provocar lesiones graves o la muerte.

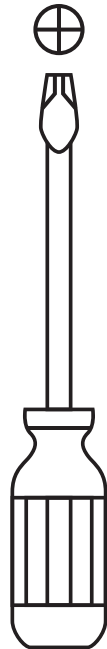
# INDEX

Assembly Hardware .....	4
Assembly Parts .....	5
Suggested Loads.....	6
Assembly Recommendations .....	6
Assembly Steps .....	7-16
Warranty.....	17

# ÍNDICE

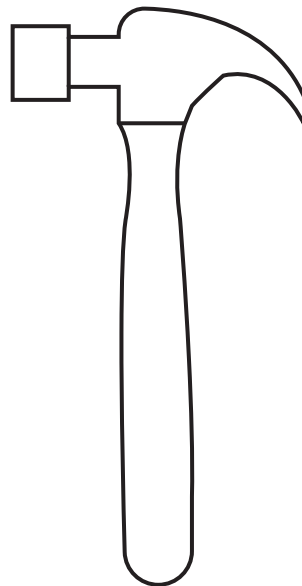
Herrajes para Armado.....	4
Piezas de Armado.....	5
Cargas Sugeridas.....	6
Recomendaciones de Ensamble.....	6
Pasos de Armado.....	7-16
Garantía .....	17

## REQUIRED TOOLS\*



\*Not included, and not shown actual size.

## HERRAMIENTAS NECESARIAS\*



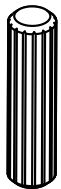
\*No incluidas y no se muestran en tamaño real.

# ASSEMBLY HARDWARE

# HERRAJES PARA ARMADO

Please check that the hardware content is correct. If any item is missing, please call to our customer service line.

Compruebe que el contenido de los herrajes sea el correcto. En caso de que falte alguna pieza, por favor llame a nuestra línea de atención al cliente.



**x30**

Wood Dowel  
Tarugo



**x24**

Minifix Cams  
Minifix



**x24**

Spreading Bolt  
Perno Minifix



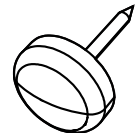
**x4**

Flat Head Screw  
Tornillo Lámina



**x24**

Cover Caps  
Tapa Adhesiva  
Minifix



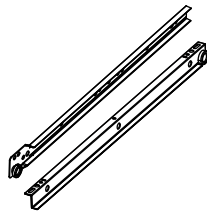
**x6**

Nail-on Glide  
Deslizador  
Puntilla



**x8**

Drywall Screw 2"  
Tornillo de  
Ensamble 2"



**x2**

Drawer Slides  
(Screws included)  
Rieles



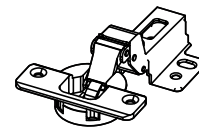
**x4**

Handle  
(Screws included)  
Manija Acero



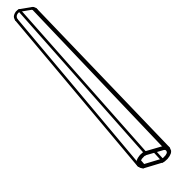
**x2**

Closet Rod  
Bracket  
Soporte Tubo



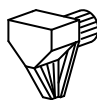
**x6**

Inset Hinge  
Bisagra Interior



**x1**

Closet Rod  
Tubo Ovalado



**x2**

Shelf Support  
Soporte Entrepaña



**x1**

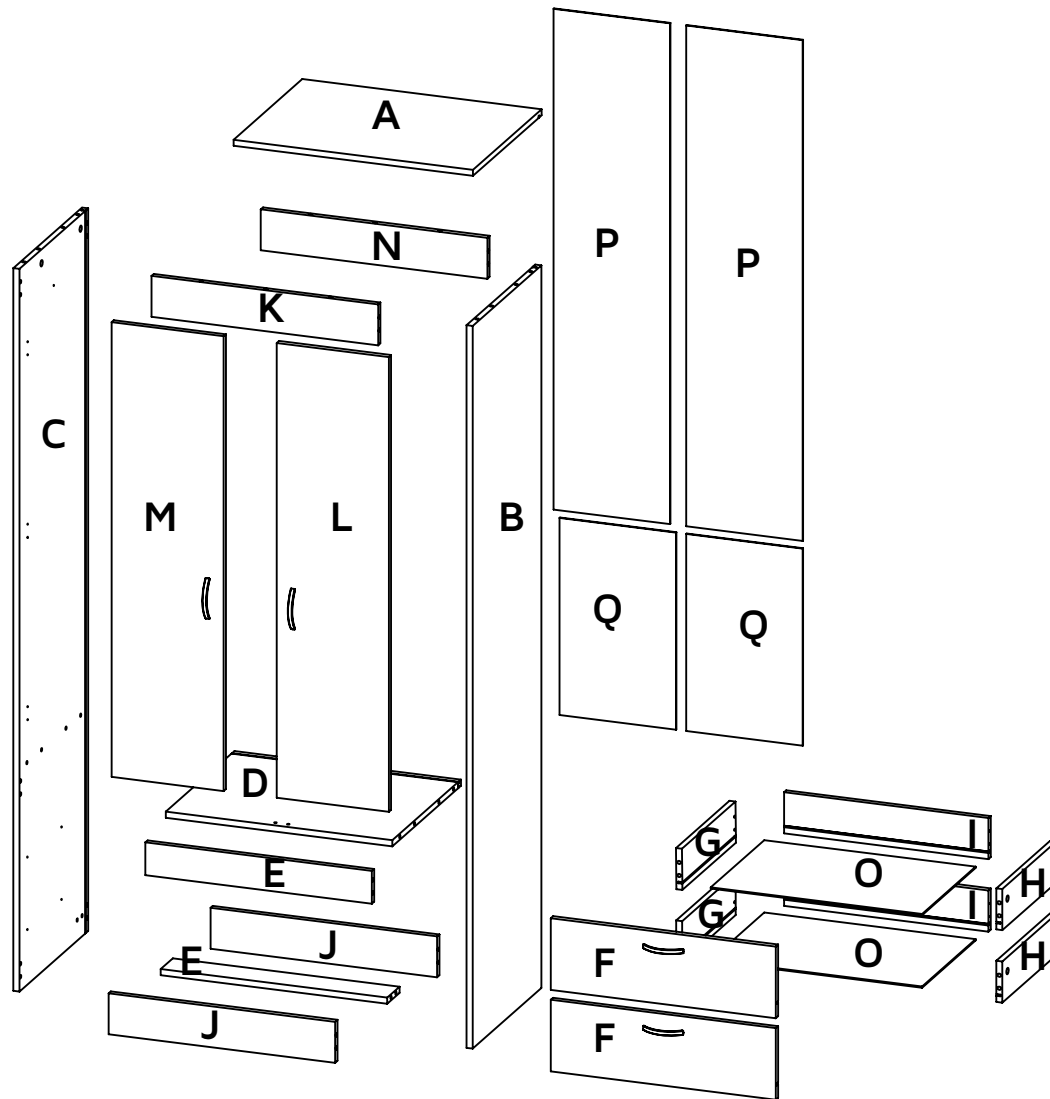
Wall Fixing Kit  
(Screws included)  
Kit Antivuelco

Hardware items are NOT shown actual size.

Los herrajes no se muestran en el tamaño real.

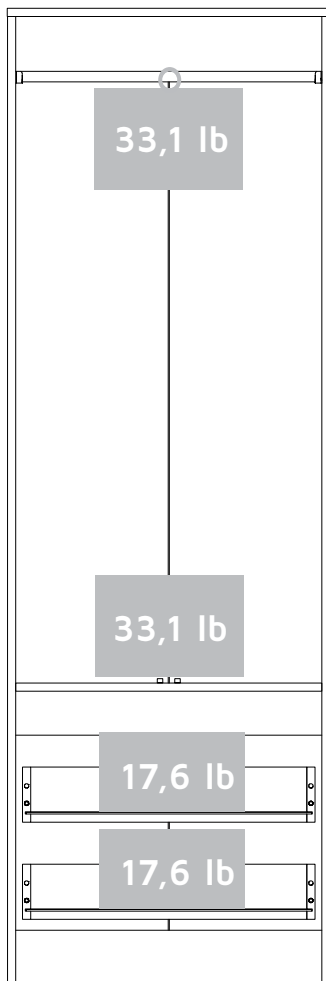
# ASSEMBLY PARTS

# PIEZAS DE ARMADO



A - x1	G - x2	M - x1
B - x1	H - x2	N - x1
C - x1	I - x2	O - x2
D - x1	J - x2	P - x2
E - x2	K - x1	Q - x2
F - x2	L - x1	

## MAX SUGGESTED LOADS



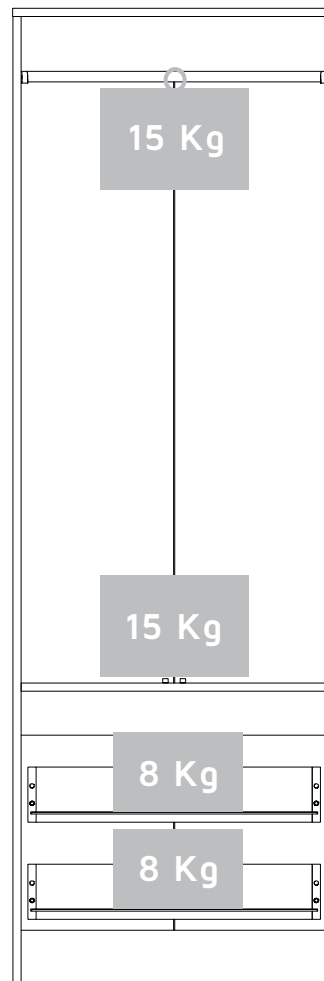
## ASSEMBLY RECOMMENDATIONS

Two people are recommended to assemble the product.

Assemble the cabinet on a flat, smooth surface, preferably on a carpeted floor or the carton box of the product.

Carefully read the assembly instructions and identify every wood and hardware part before start assembling the cabinet.

## CARGAS MÁXIMAS SUGERIDAS



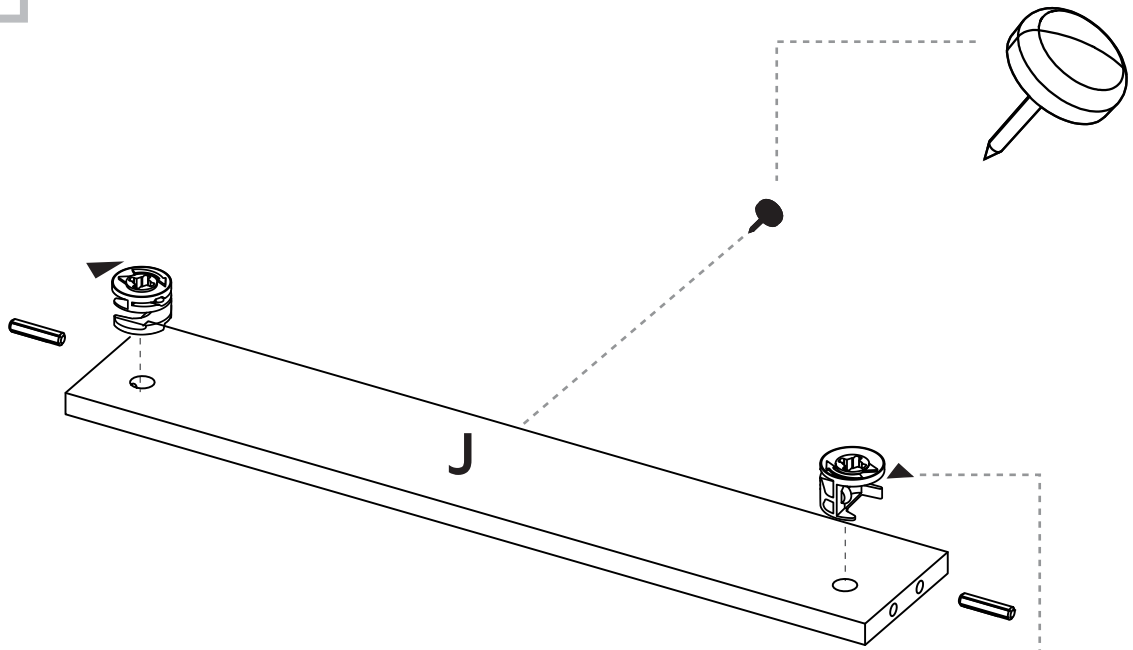
## RECOMENDACIONES DE ENSAMBLE

Ensamble el mueble entre dos personas.

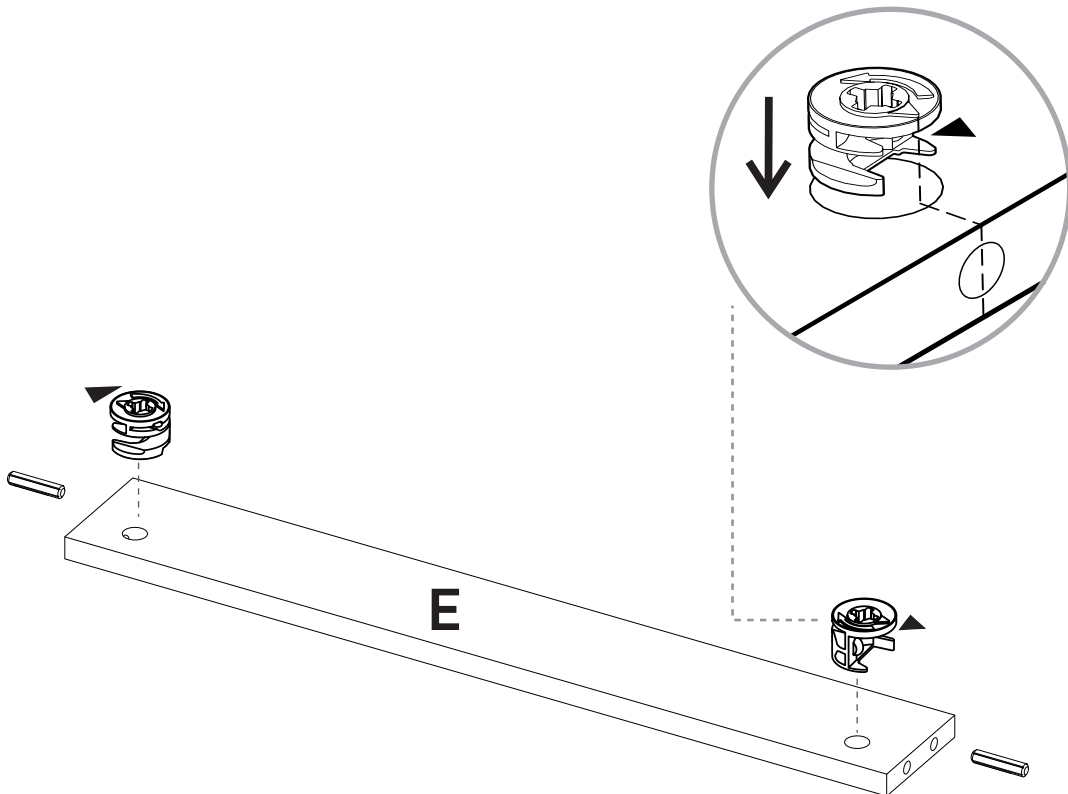
Ensamble el mueble sobre una superficie plana y lisa, preferiblemente sobre un tapete o el cartón de la caja

Lea cuidadosamente las instrucciones e identifique todas las piezas y herrajes antes de empezar a armar el mueble.

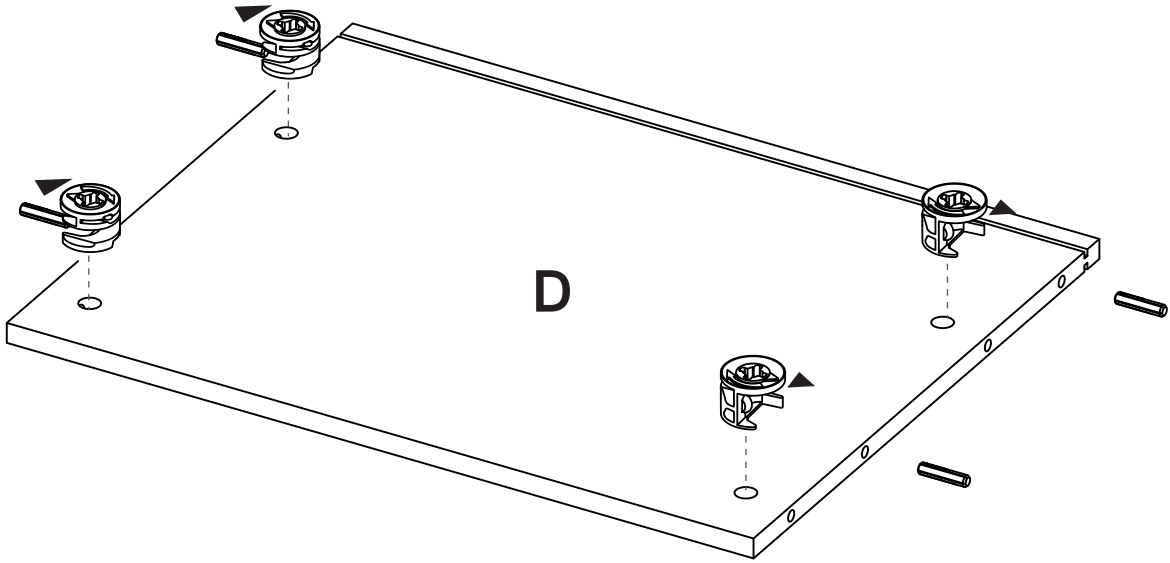
1 x2



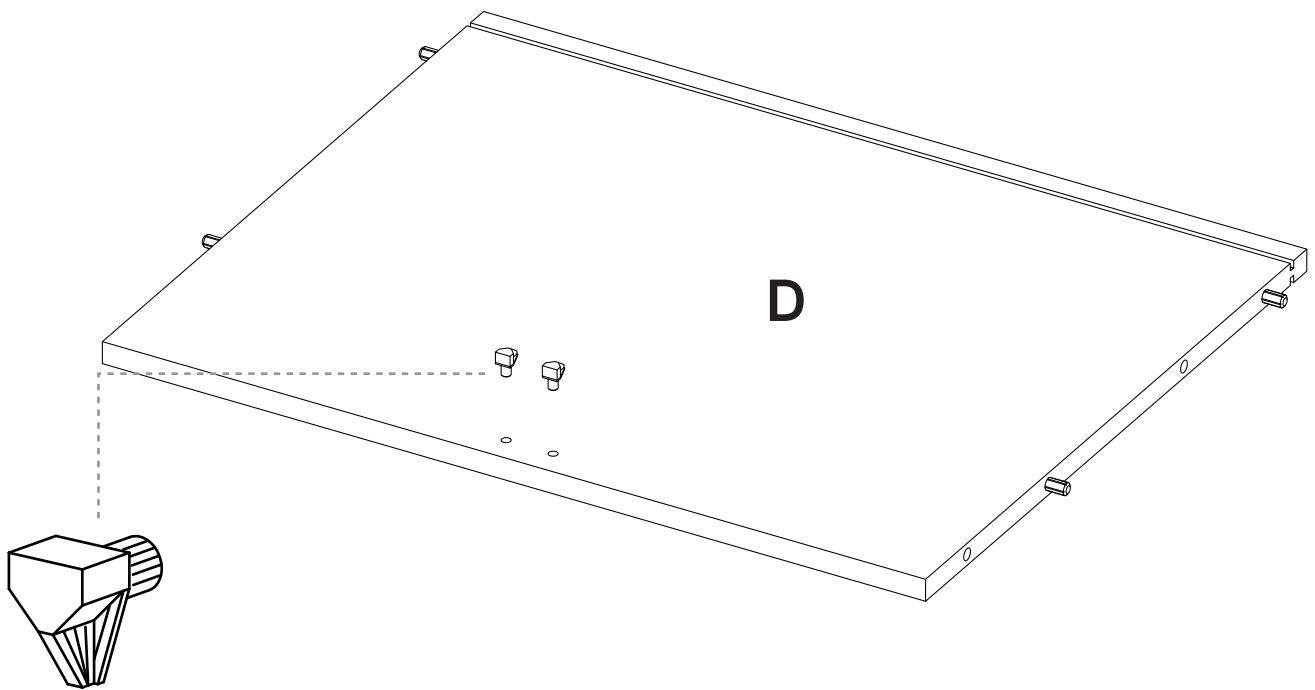
2



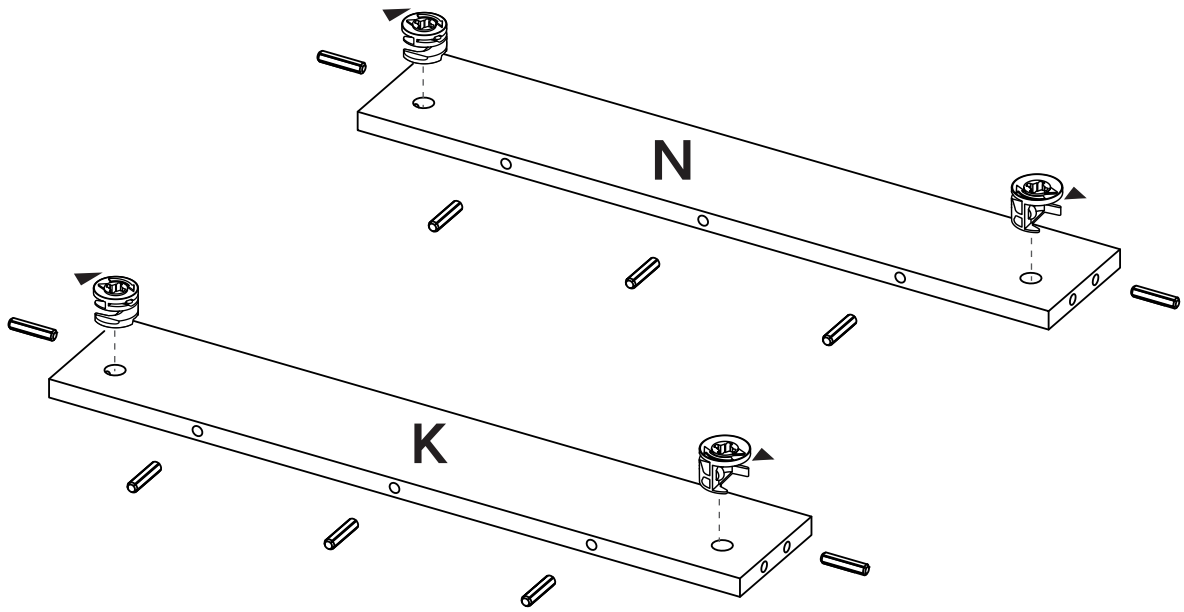
3



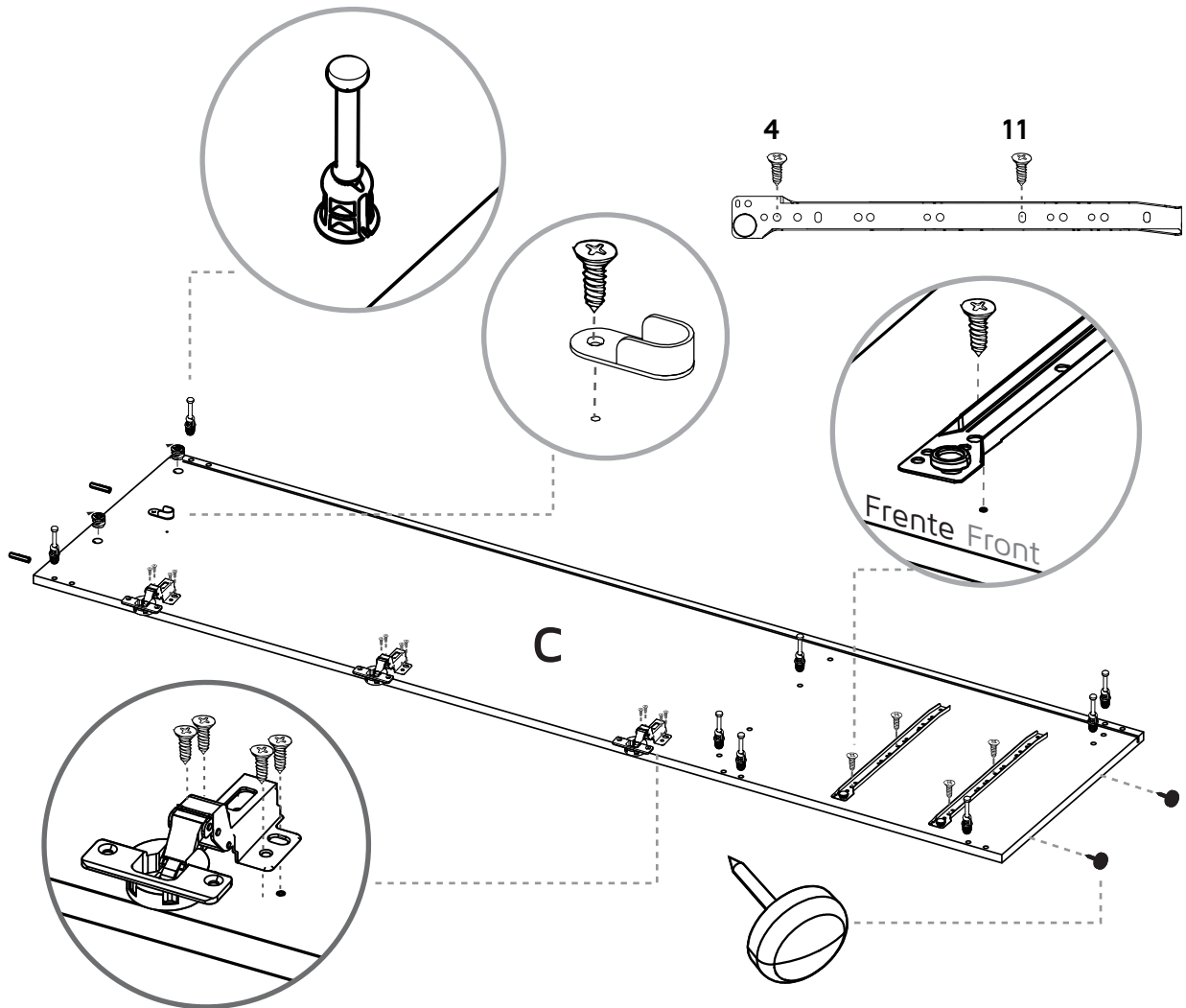
Rotate  
Voltear



4

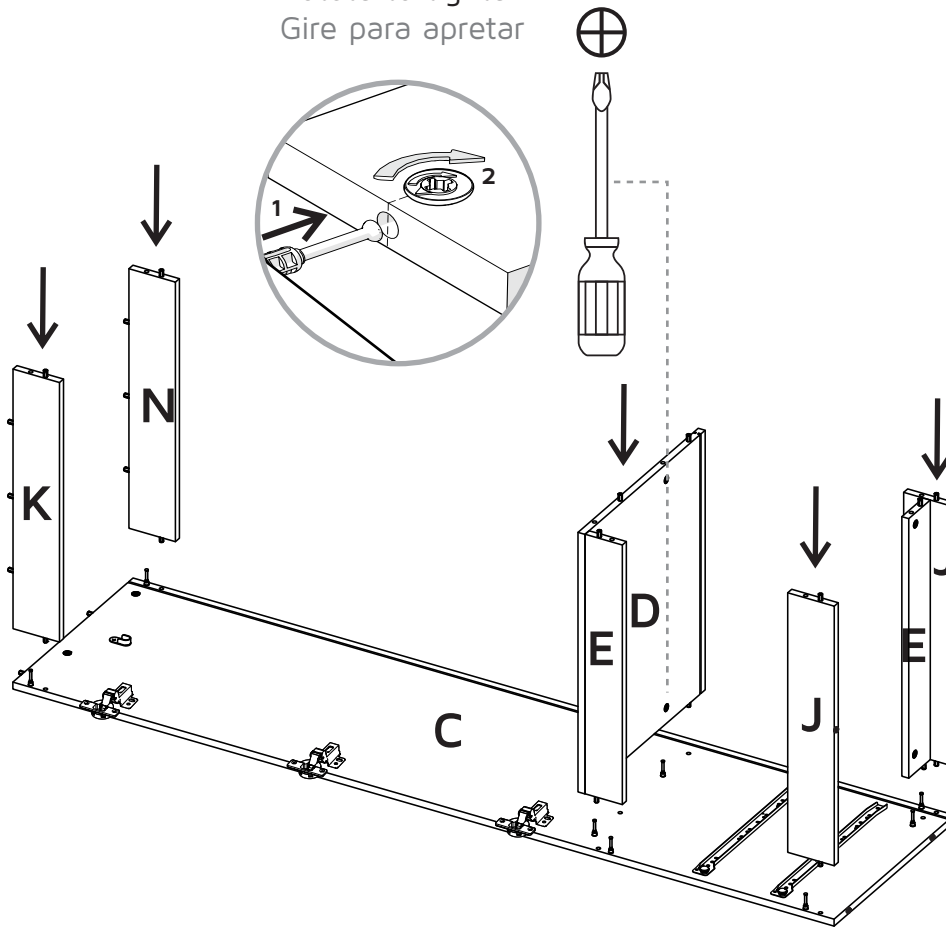


5

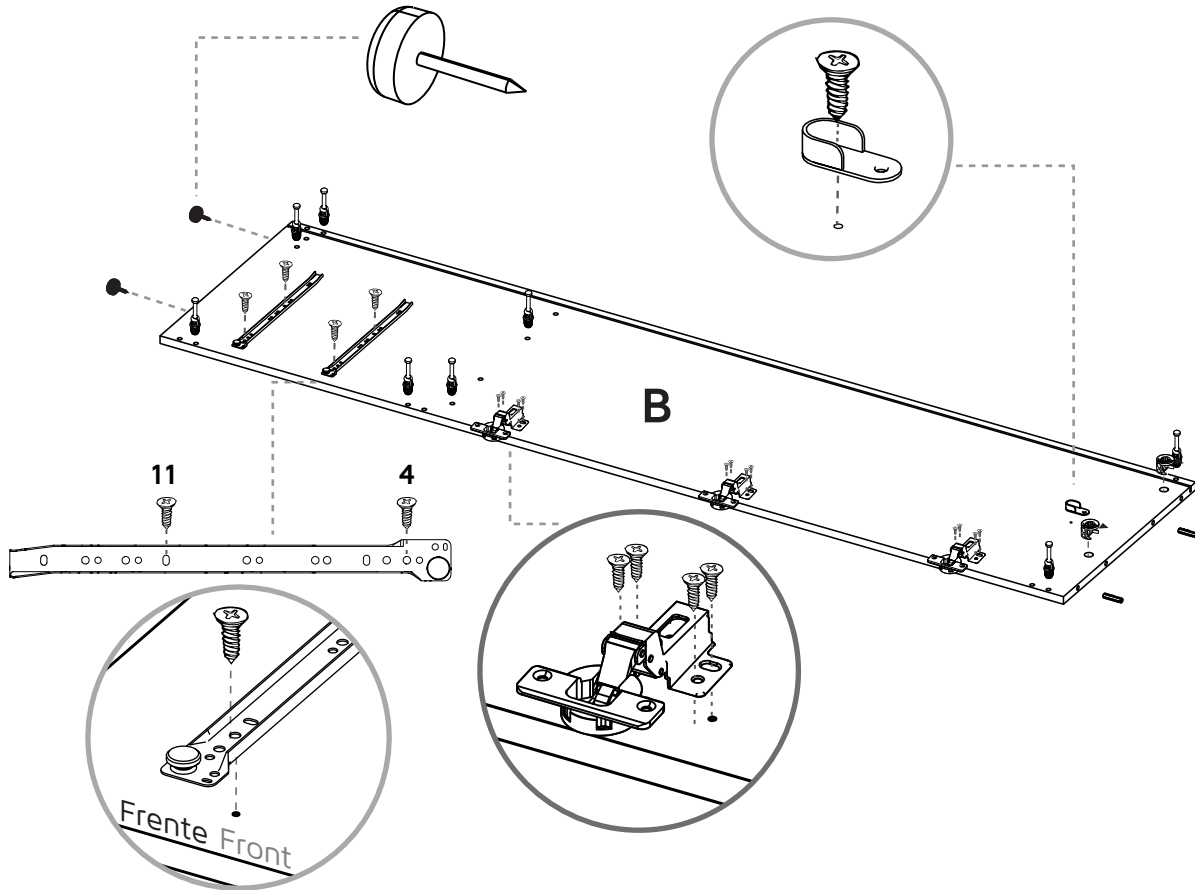


6

Rotate to tighten  
Gire para apretar

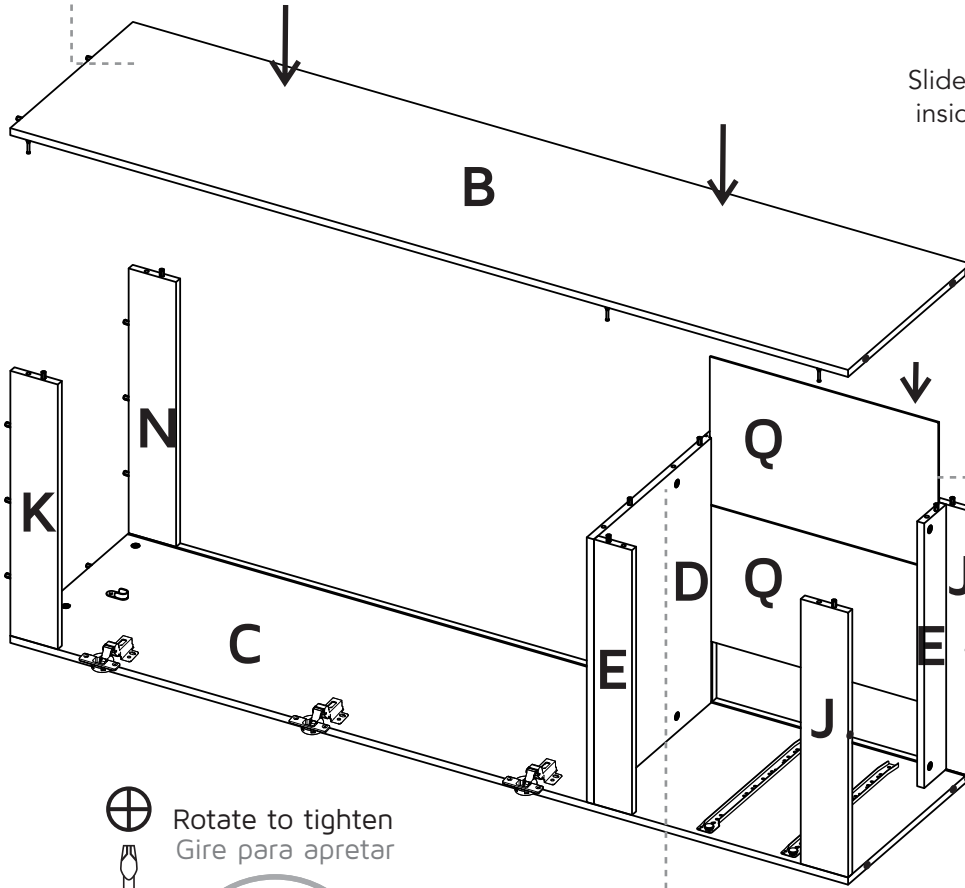


7



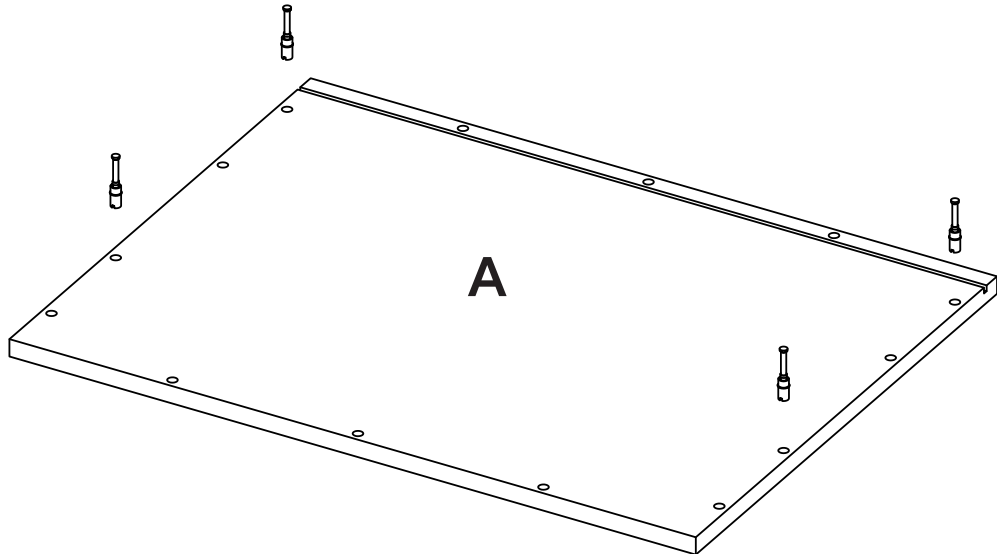
8

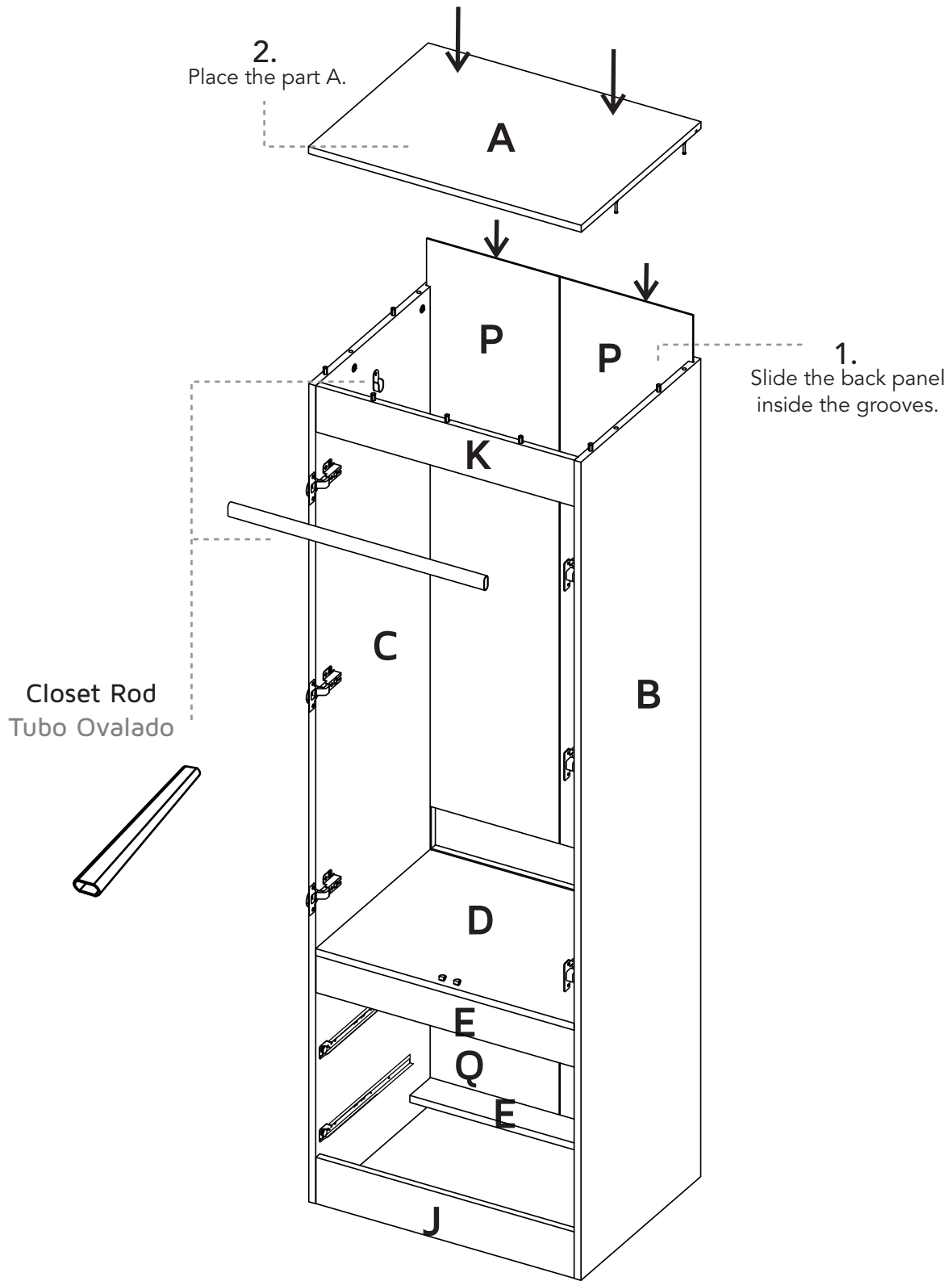
2. Place the part B.



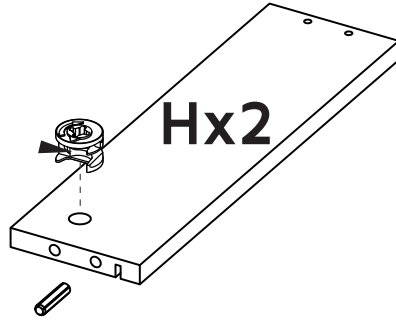
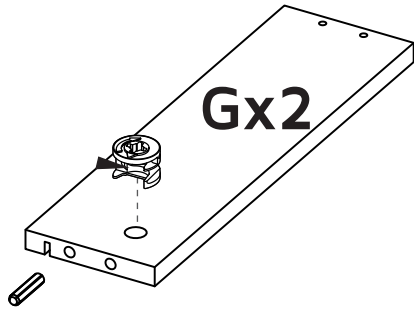
1. Slide the back panel inside the grooves.

9

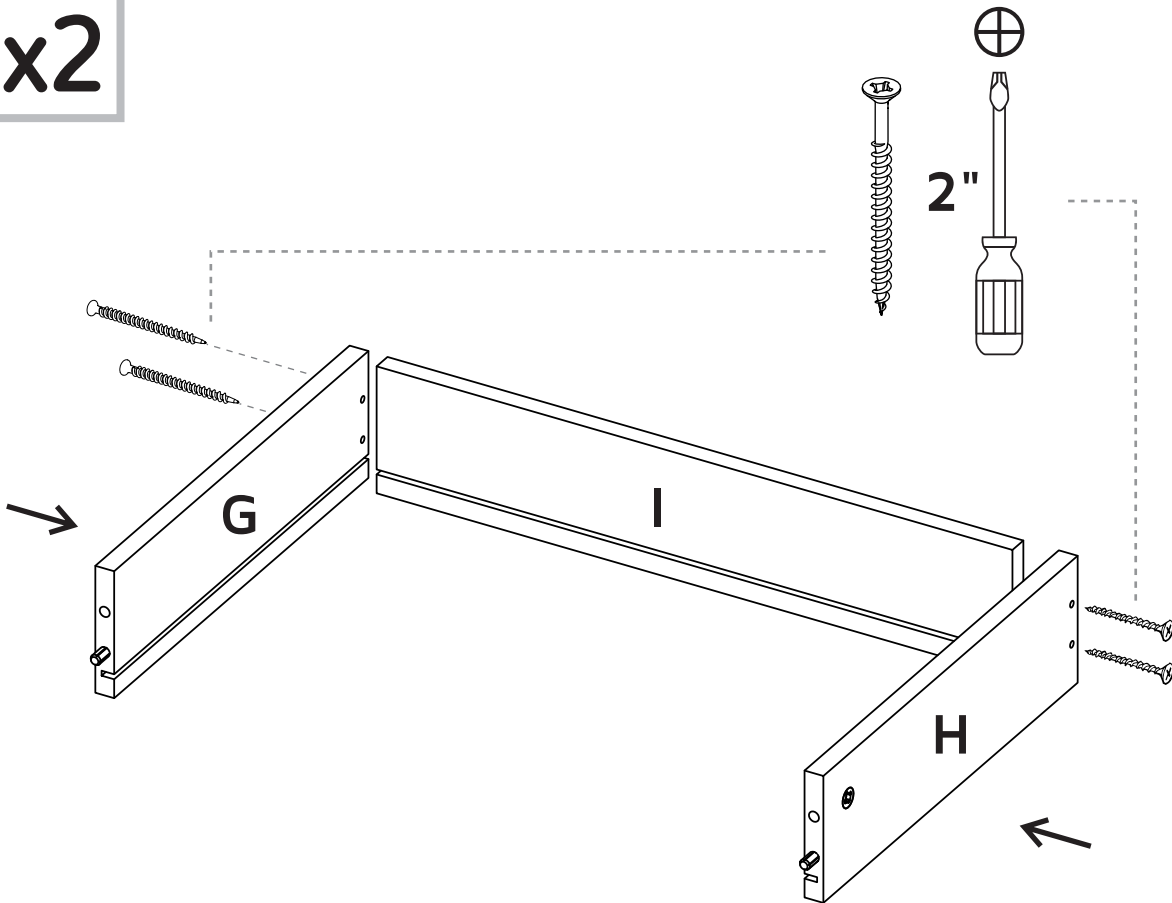




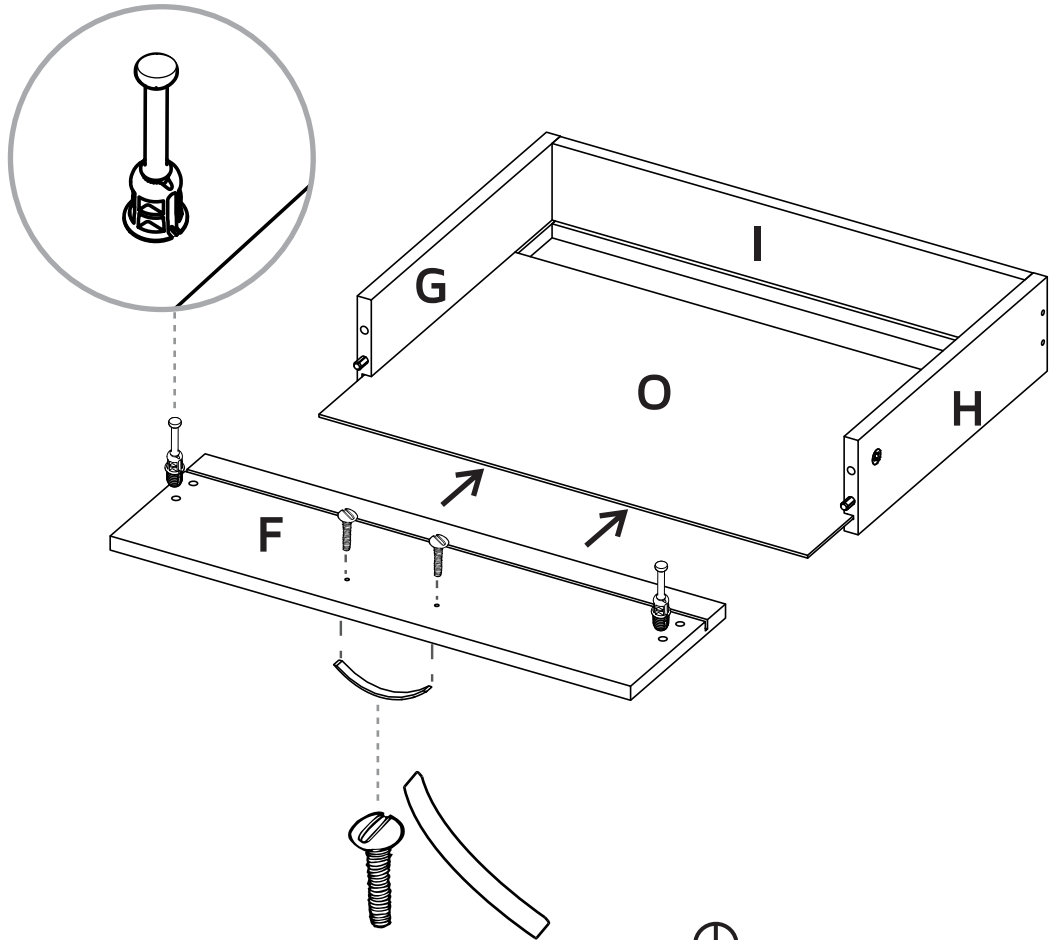
11



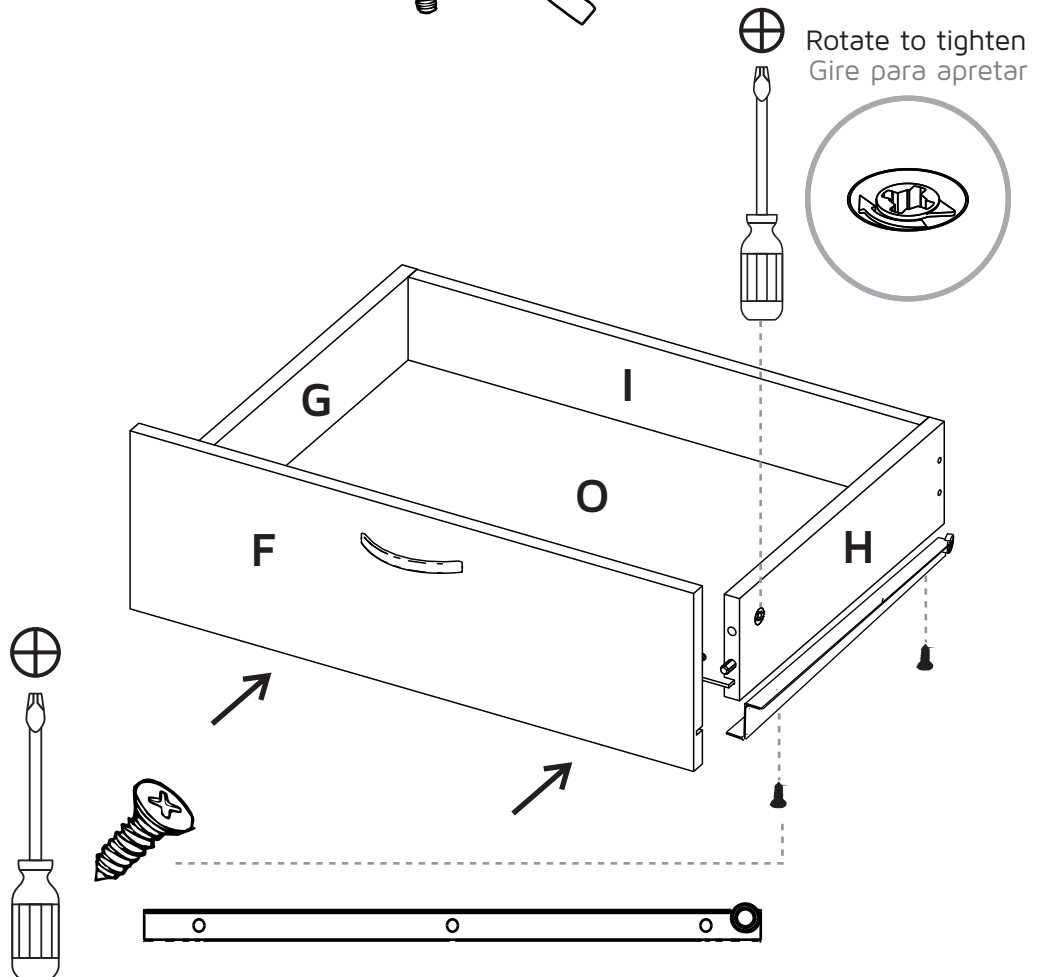
12 x2

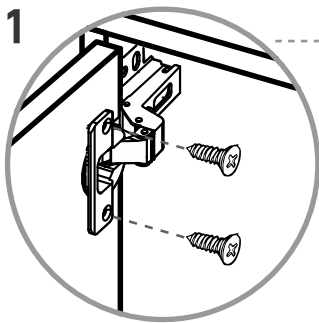


13 x2

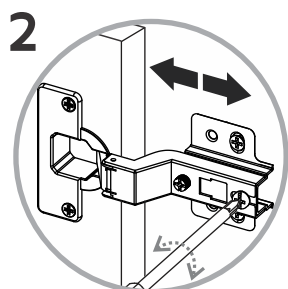


14 x2

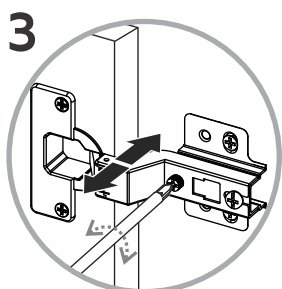




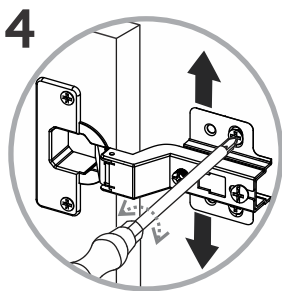
Ajuste de las bisagras  
Hinge adjustment



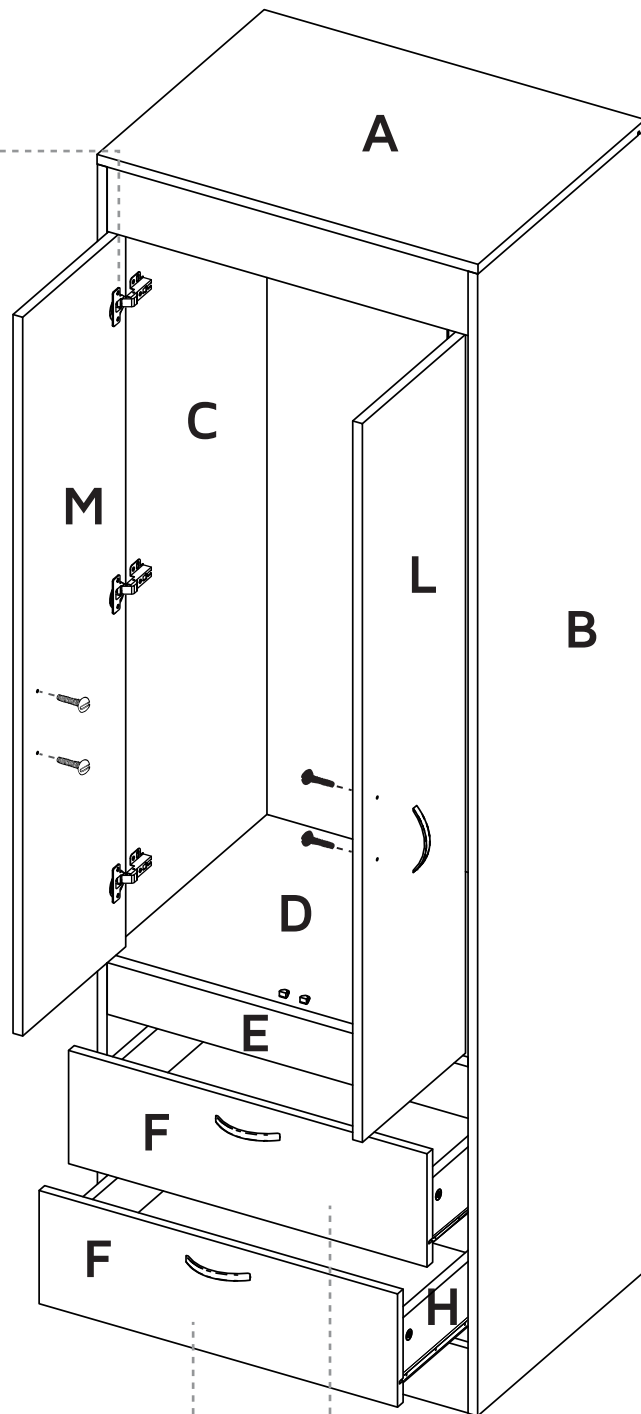
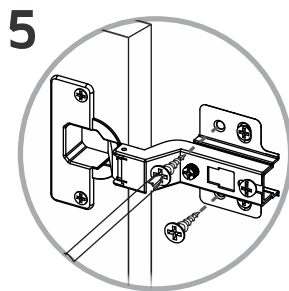
Ajuste de profundidad  
Depth adjustment



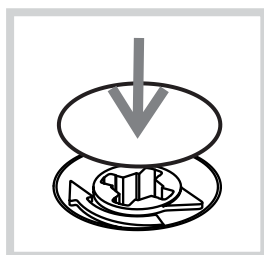
Side adjustment  
Ajuste lateral



Height adjustment  
Ajuste de altura

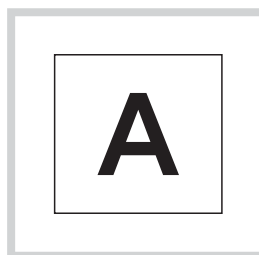


### Drawer installation Instalación de cajones



After you finish the adjustment of the cams, cover them with the cover caps.

Después de ajustar todas las cajas minifix, cúbralas con las tapas adhesivas.



After you finish assembling the cabinet, take off the adhesive letters.









Al terminar de armar, desprenda las letras adhesivas.

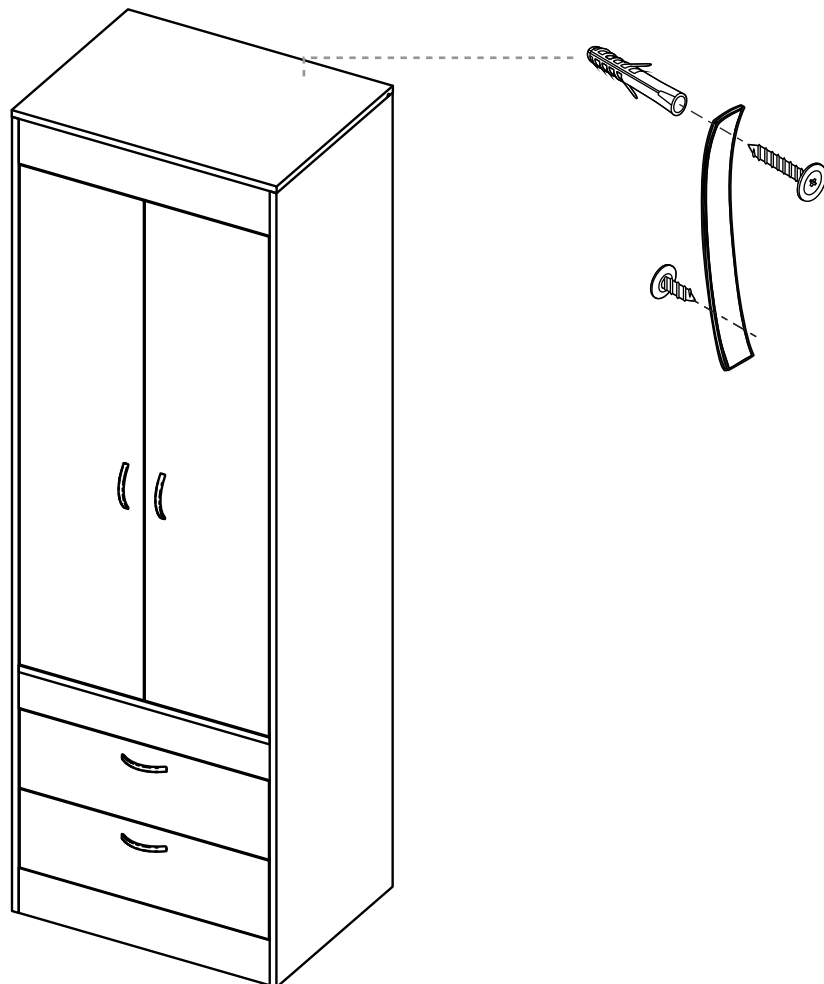
# 16

To prevent furniture tip-overs, it's important to properly install a tip-over device.

Here are the steps to secure the furniture to a wall:

Para evitar que los muebles se vuelquen, es importante instalar correctamente un dispositivo antivuelco. Estos son los pasos para asegurar los muebles a una pared:

- 1 Open the Tip-over prevention device that came with the product.  
Abra el dispositivo de prevención de vuelcos que viene con el producto. 
- 2 Measure the height of the furniture on the wall and mark it.   
Mide la altura de los muebles en la pared y márcalo.
- 3 Measure the distance from the top of the furniture to where you plan to attach the tip-over device.   
Mida la distancia desde la parte superior de los muebles hasta donde planea colocar el dispositivo de volcado.
- 4 Using a stud finder, locate the studs in the wall behind the furniture. Mark their location with a pencil.   
Usando un buscador de montantes, ubique los montantes en la pared detrás de los muebles. Marque su ubicación con un lápiz.
- 5 Hold the tip-over device in place on the furniture, aligning it with the marked location on the wall.   
Mark the position of the screw holes on the furniture.  
Sostenga el dispositivo antivuelco en su lugar sobre el mueble, alineándolo con la ubicación marcada en la pared. Marque la posición de los agujeros de los tornillos en los muebles.
- 6 Use a drill to make pilot holes in the furniture where you marked the screw holes.   
Use un taladro para hacer agujeros piloto en los muebles donde marcó los agujeros para los tornillos.
- 7 Secure the tip-over device to the furniture.   
Fije el dispositivo antivuelco al mueble.
- 8 Attach the tip-over device to the wall, making sure the screws go into the studs.   
Fije el dispositivo de vuelco a la pared, asegurándose de que los tornillos entren en los montantes.  
Test the tip-over device to ensure it's properly installed by pushing and pulling on the furniture.
- 9 If it's secure, it should not tip over or shift.  
Pruebe el dispositivo de vuelco para asegurarse de que esté correctamente instalado empujando y tirando de los muebles. Si está seguro, no debe volcarse ni moverse



# WARRANTY POLICY

## PÓLIZA DE GARANTÍA

Furniture has a 3 year warranty coverage in wooden parts and 1 year warranty coverage in hardware pieces since its manufacturing date, which you can see in the lot number printed on the product box and the assembly instructions leaflet.

Warranty covers materials and workmanship imperfections which impair the assembly or correct functioning of the cabinet.

This warranty is not valid if the defects or imperfections are caused by the incorrect following of the assembly instructions, warnings and recommendations, misuse, intentional damage, fire or flood, or after modifications or any kind of alteration, or repaired by someone not authorized, when it's been assembled 3 months after the date of purchase. These defects **MUST** be reported before the warranty coverage period ends. Once the product has been assembled, the company will not be responsible for defective and/or damaged parts.

This warranty is **ONLY** valid for the **ORIGINAL PURCHASER**, it doesn't apply if the product has been resold, rented, etc.

Furniture will take no liability for incidental or consequential damages caused to or by the product (This may not apply in your state).

To make this warranty valid you must write to our customer service email describing the product defect, lot number and submitting your sales receipt or proof of purchase, or contact us at our customer service line. Replaced parts will be under the product's original warranty coverage period. Damaged parts will become property of the company.

There are no other warranties applicable to this product.