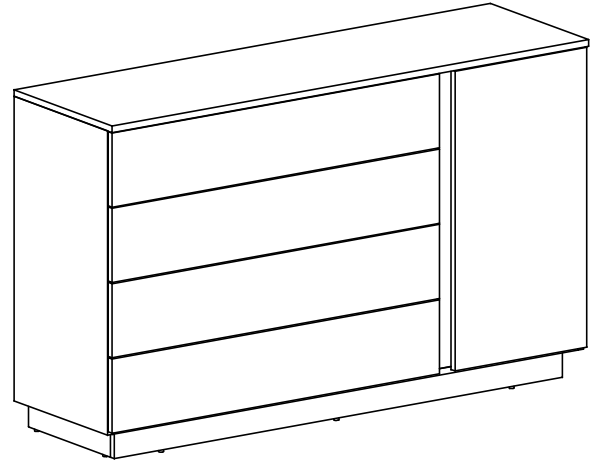
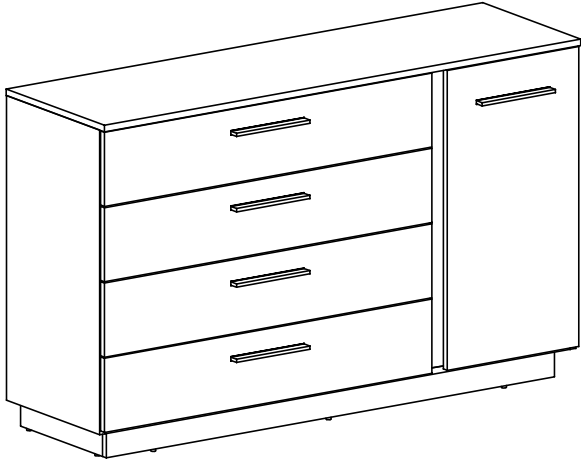
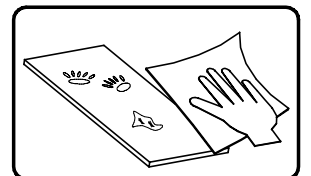
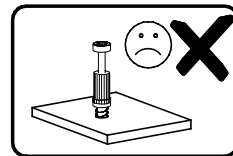
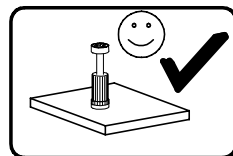
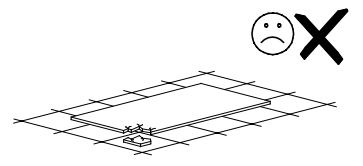
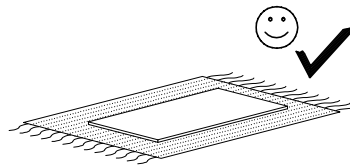
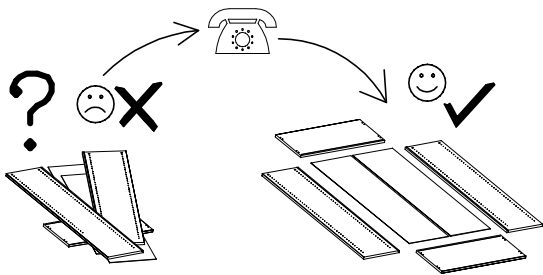
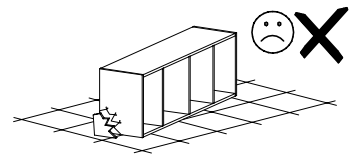
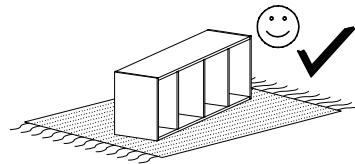
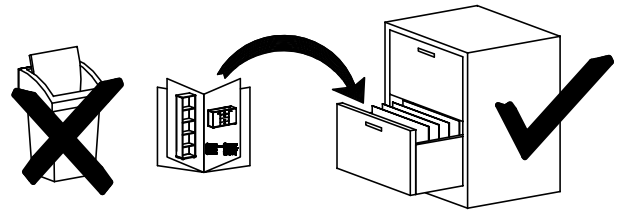
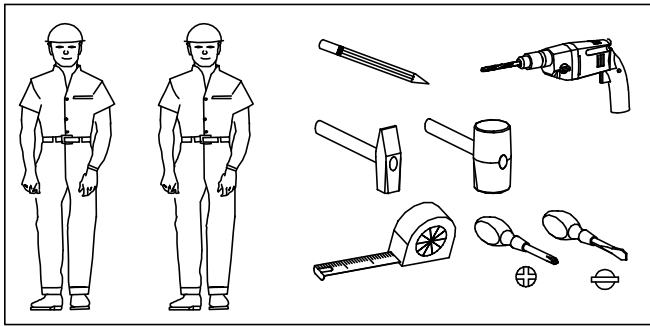
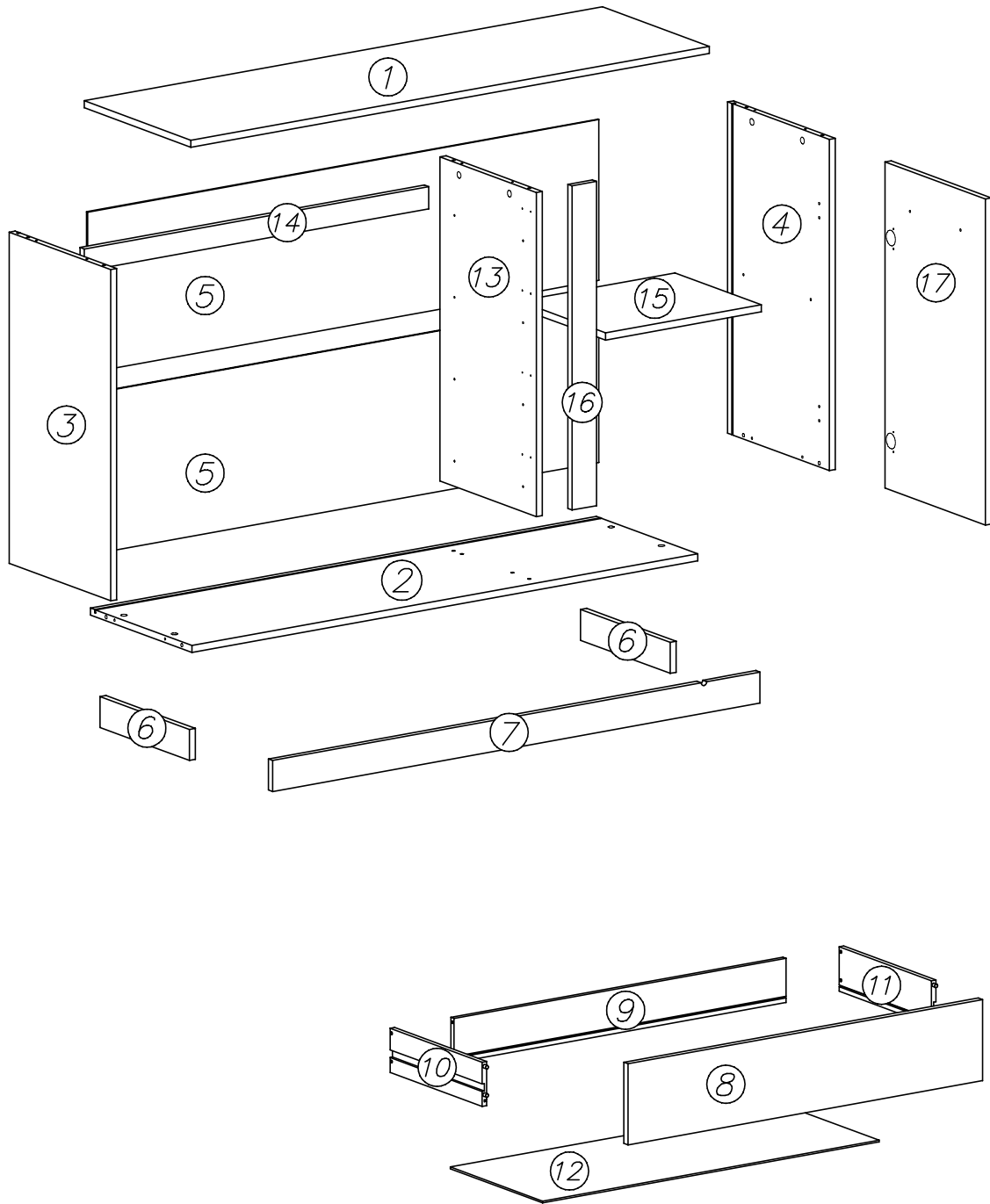
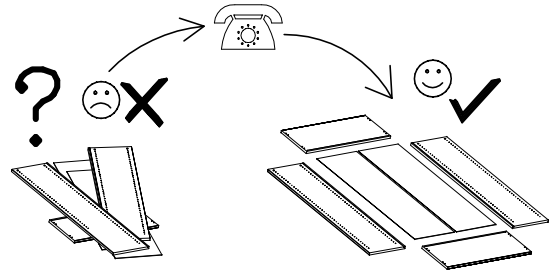
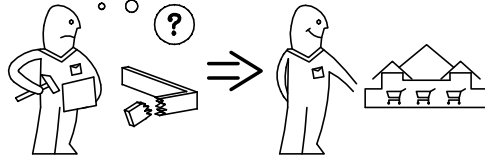
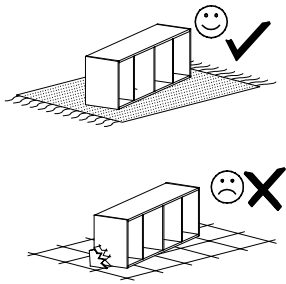


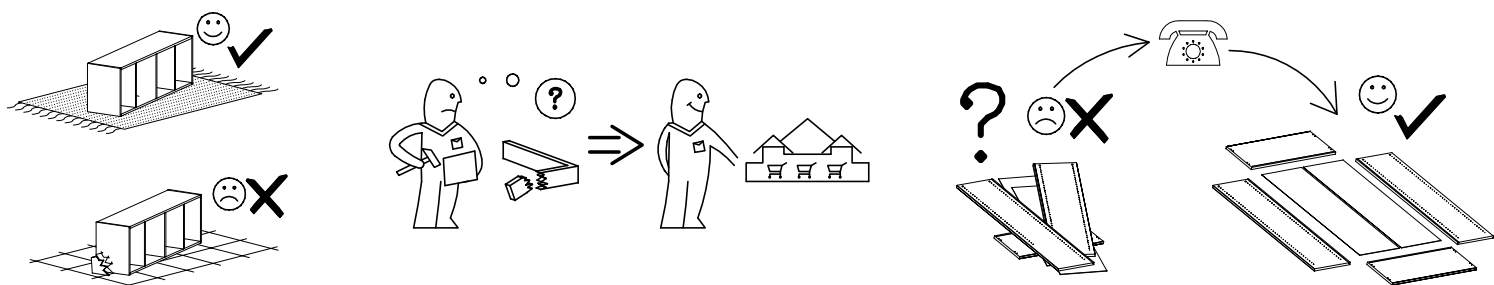
Installation & Assembly



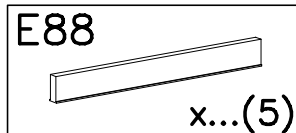
PUSH



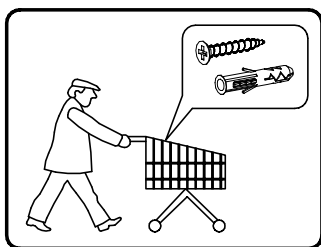
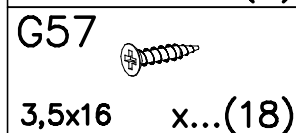
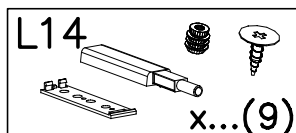
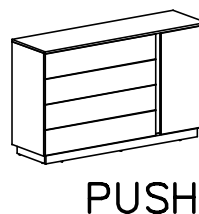




OPCJA A

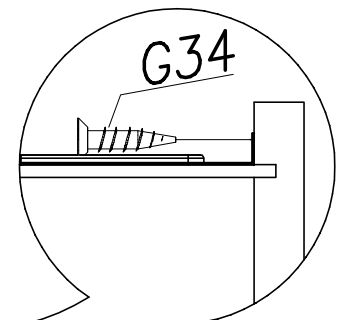
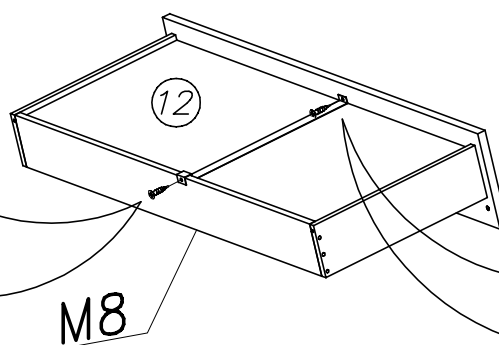
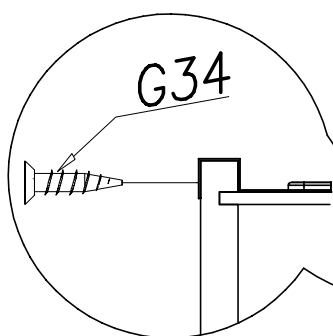
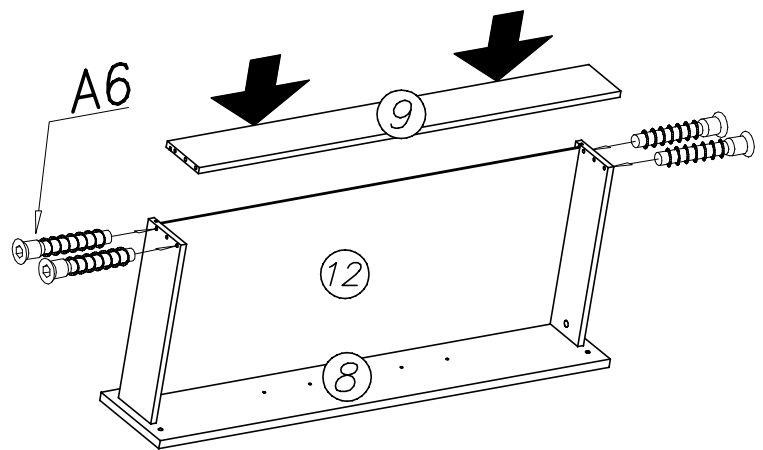
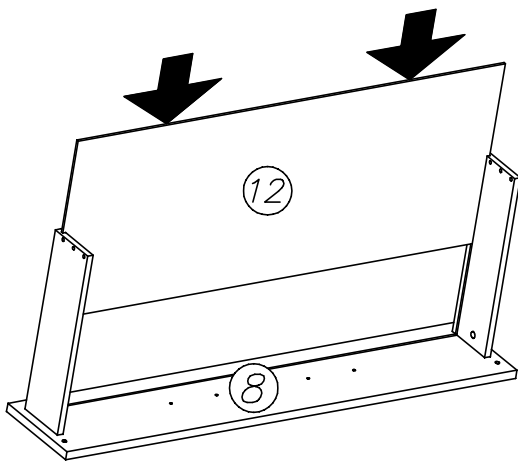
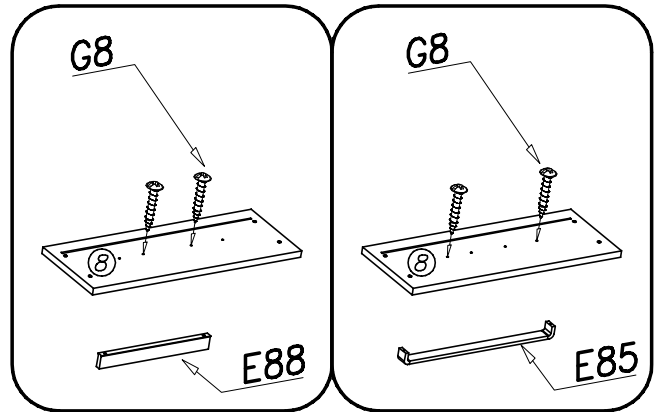
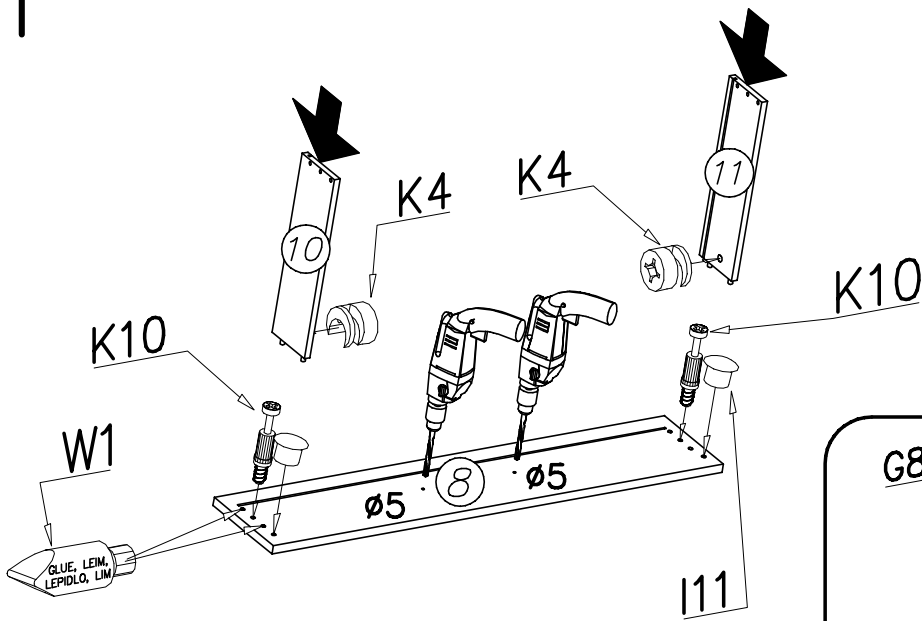


OPCJA B



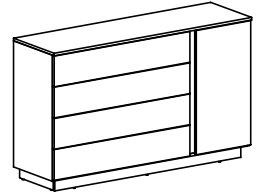
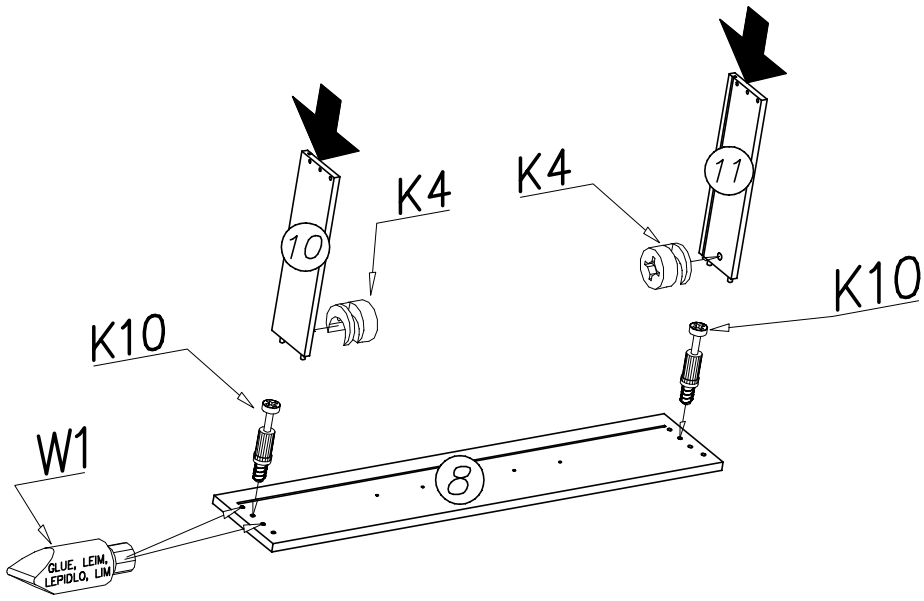
	S1 1346mm x...(1)	F2 x...(4)	I11 ø10 x...(8)	M11 x...(1)
C3 Z35PR x...(2)	D3 PZ35PR x...(2)	P28 x...(1)	M8 350mm x...(4)	
W2 x...(1)	H23 H27-350mm x...(4)	K4 ø12x10 x...(8)	A1 ø7x50 x...(2)	F15 x...(19)
A6 ø7x40 x...(16)		I1 x...(10)	W1 GLUE, LEIM, LEPIDLO, LIM x...(2)	W10 1000mm x...(1)
K1 ø15x12 x...(10)	G8 4x30 x...(10)	G20 5x13 x...(32)	G34 3,5x16 x...(97)	
K10 x...(18)	B1 ø8x35 x...(12)	I7 x...(10)	P4 x...(7)	

OPCJA A

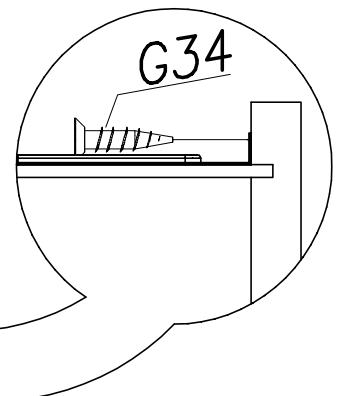
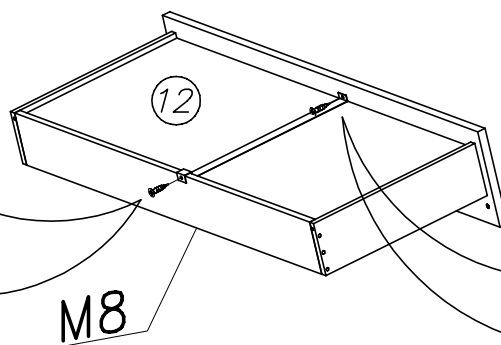
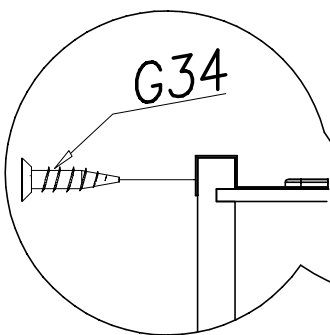
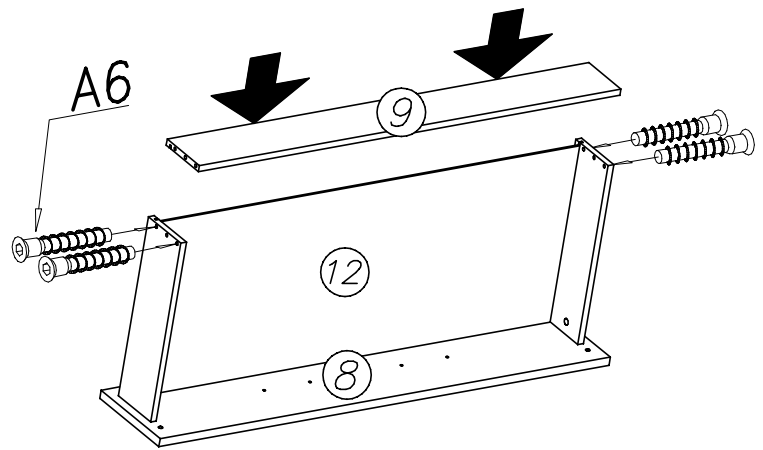
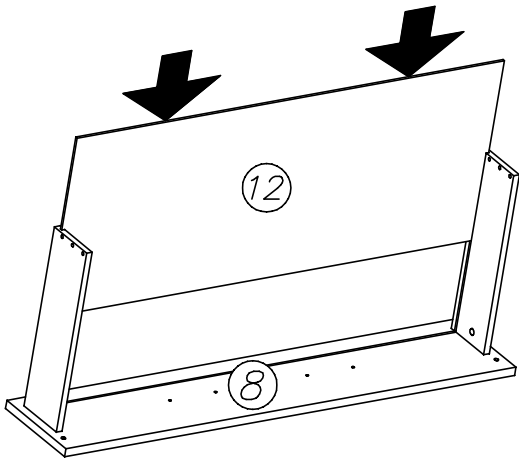


I

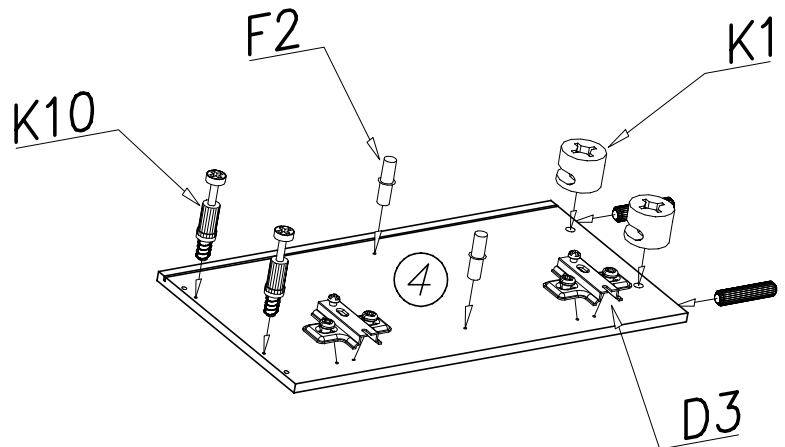
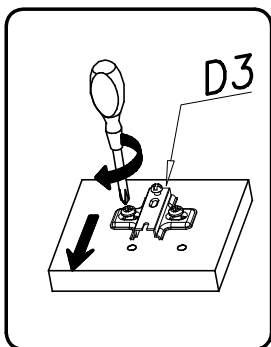
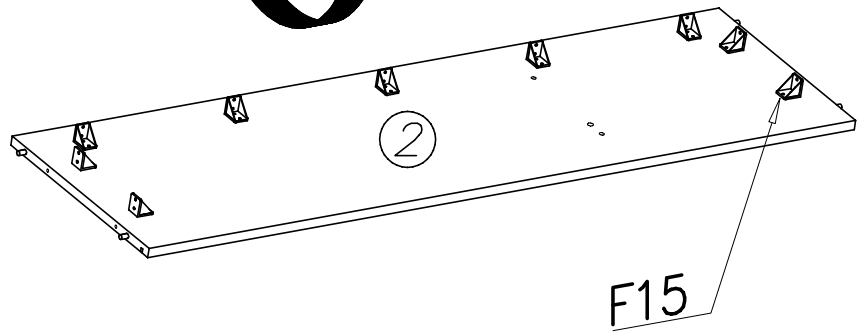
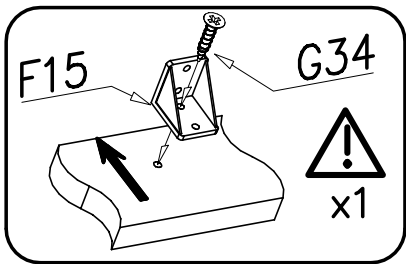
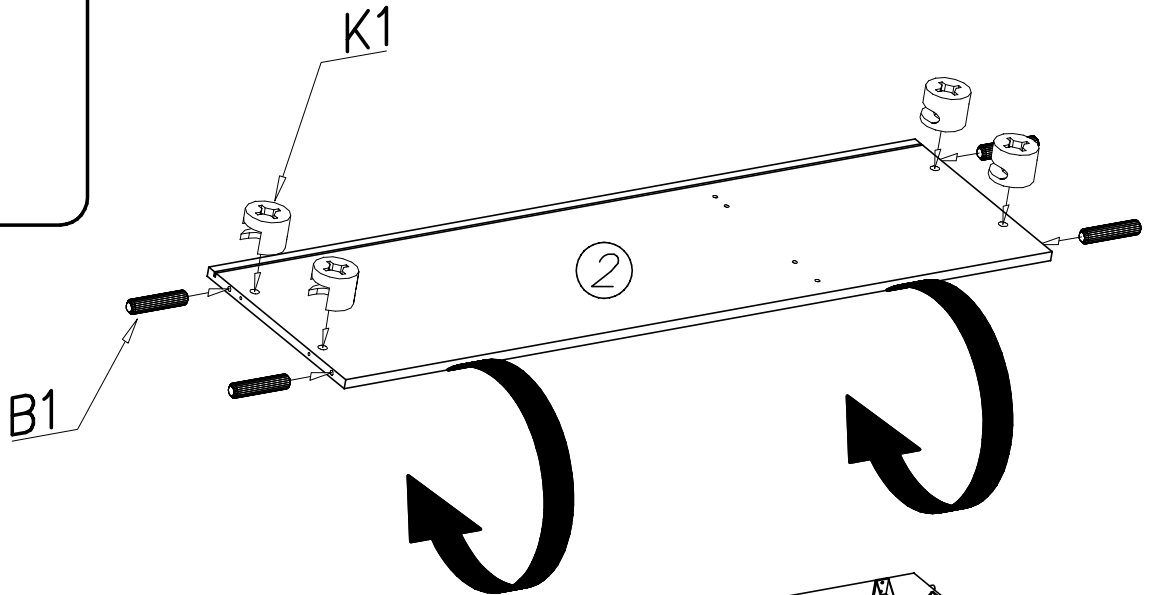
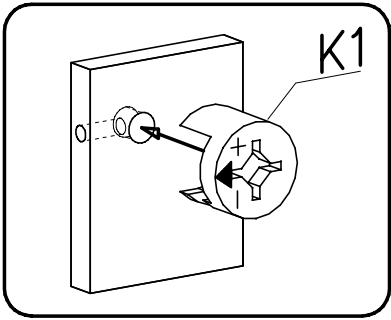
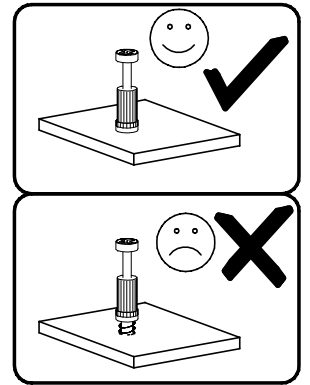
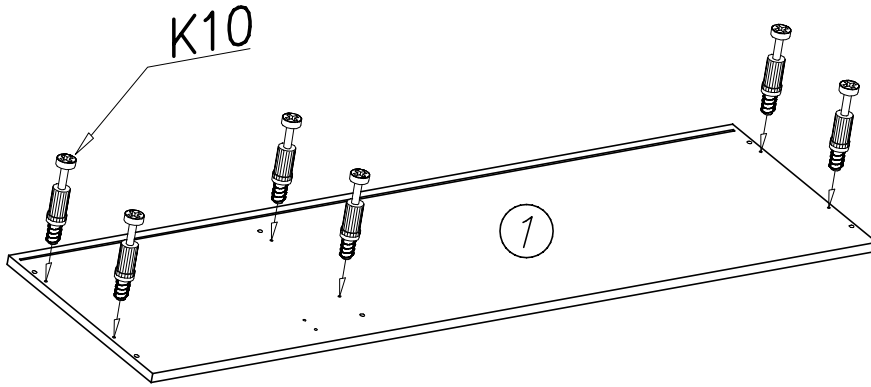
OPCJA B



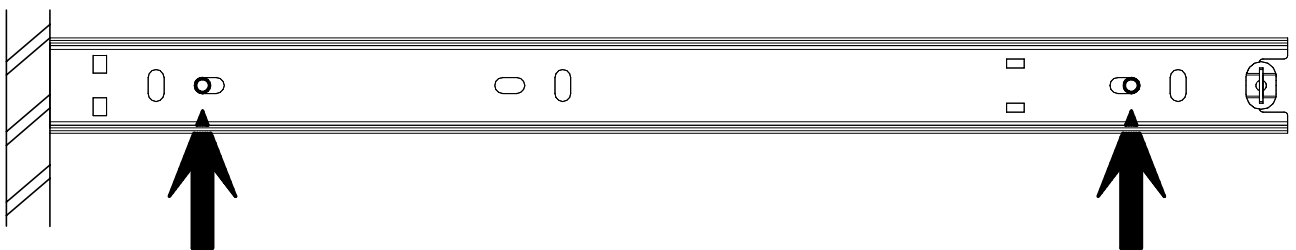
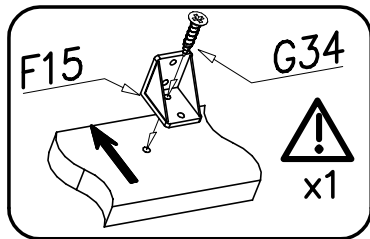
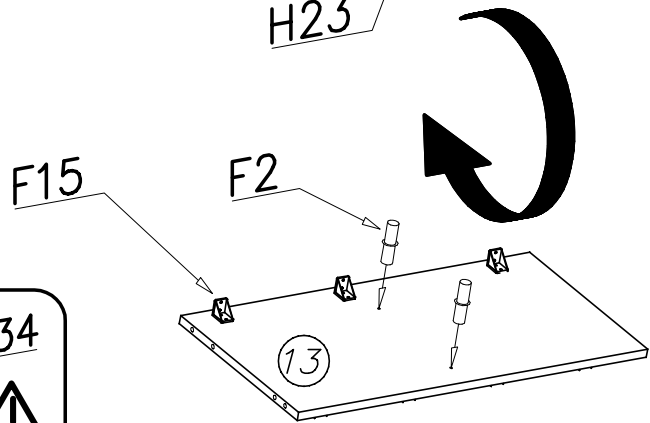
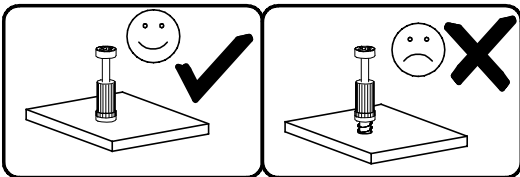
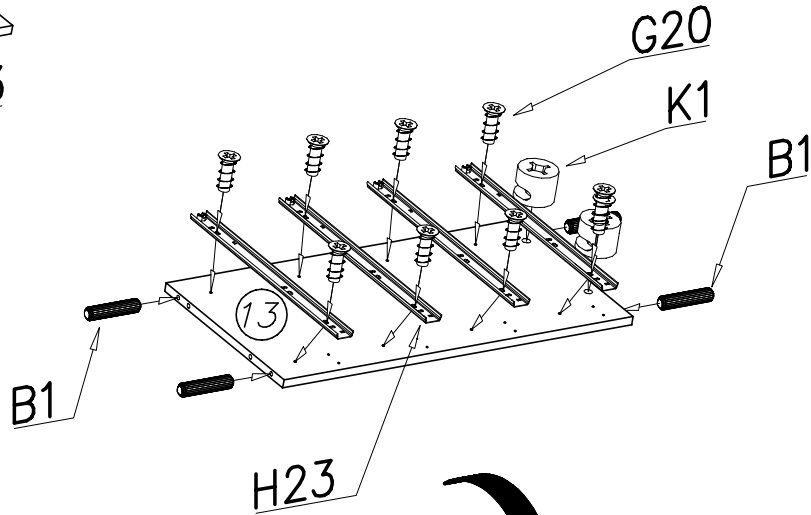
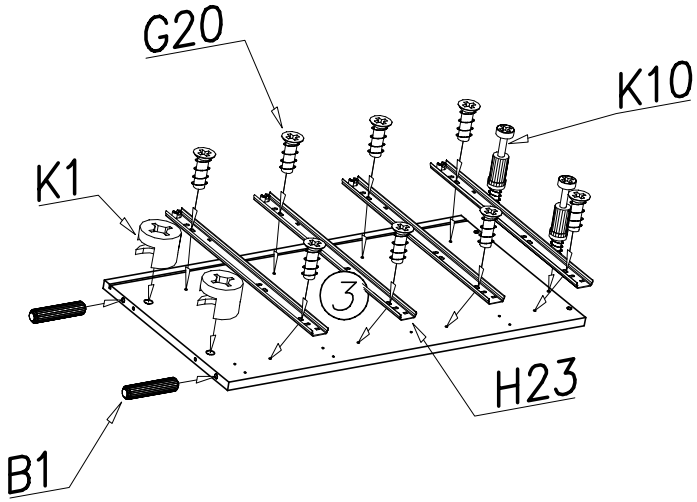
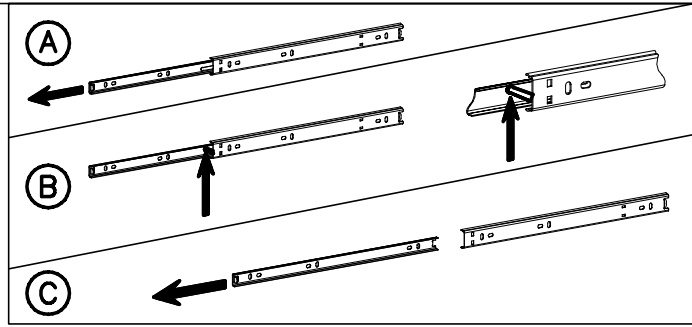
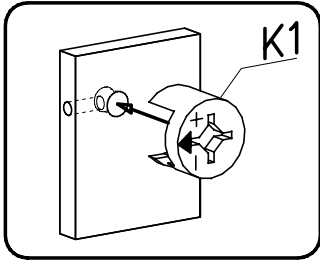
PUSH



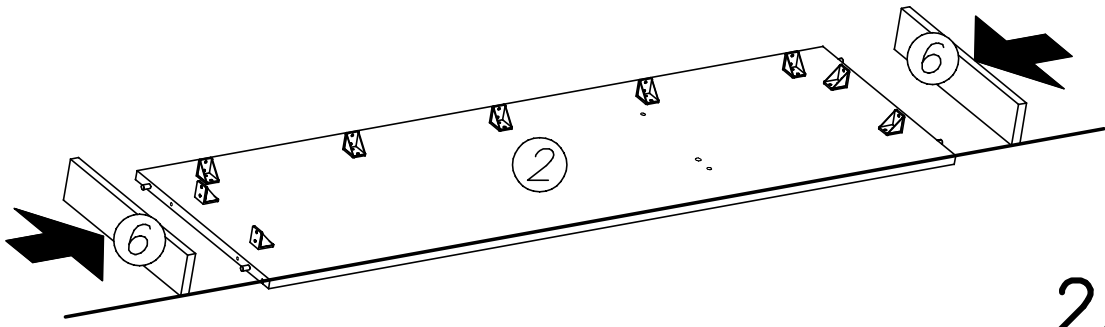
III



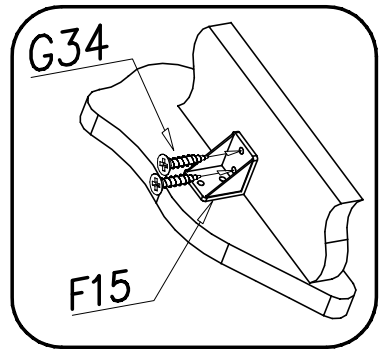
IV



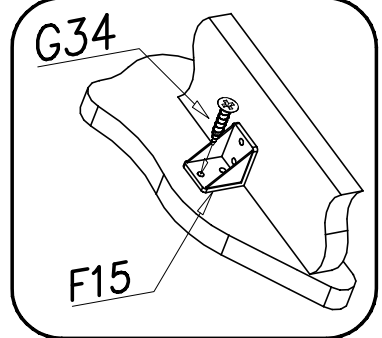
V



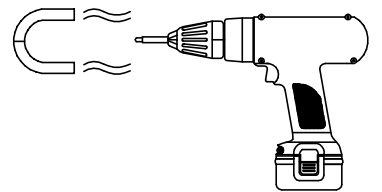
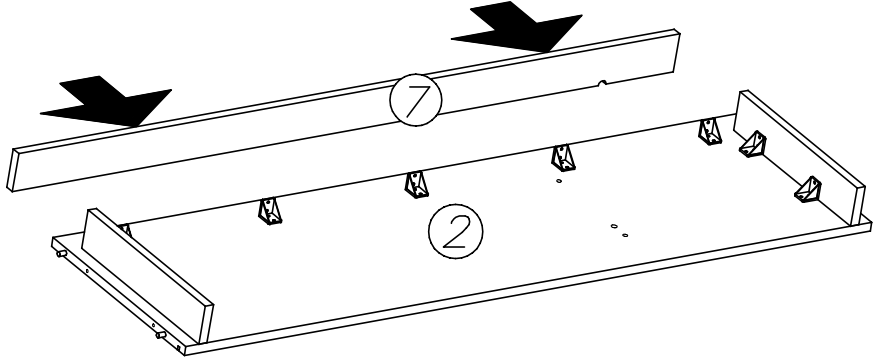
1.



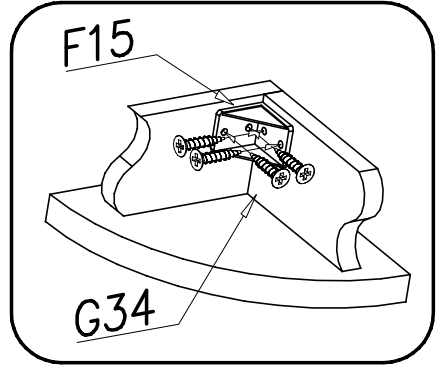
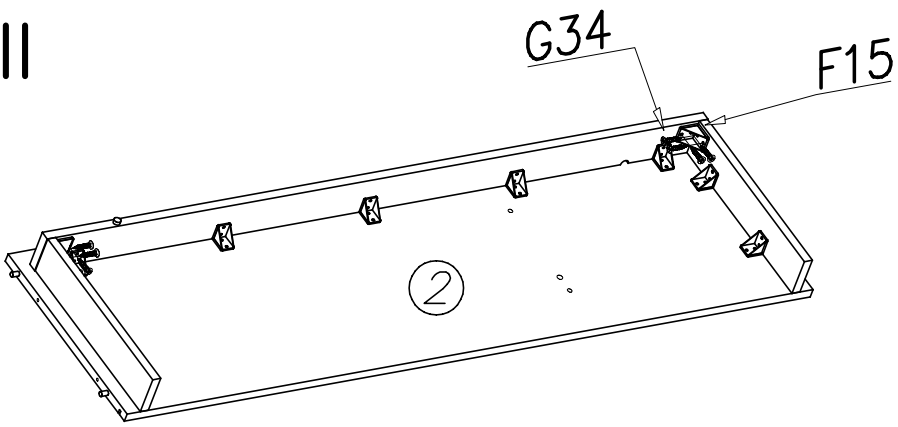
2.



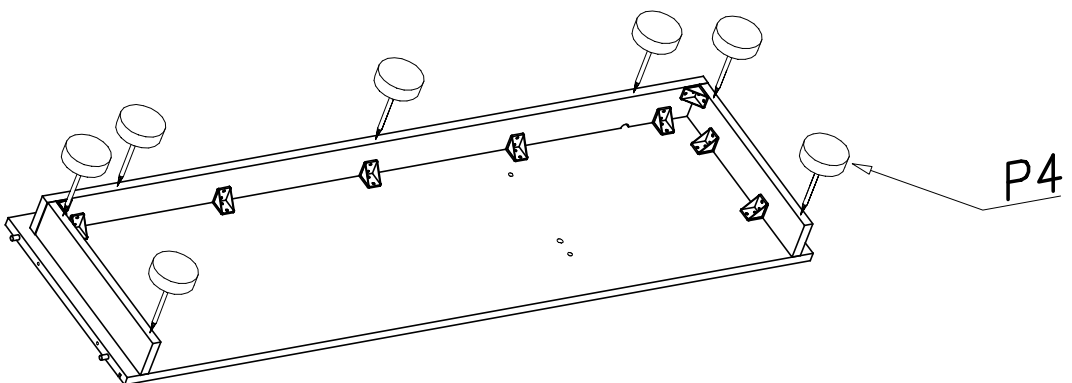
VI



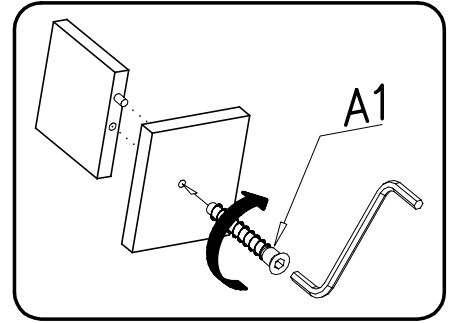
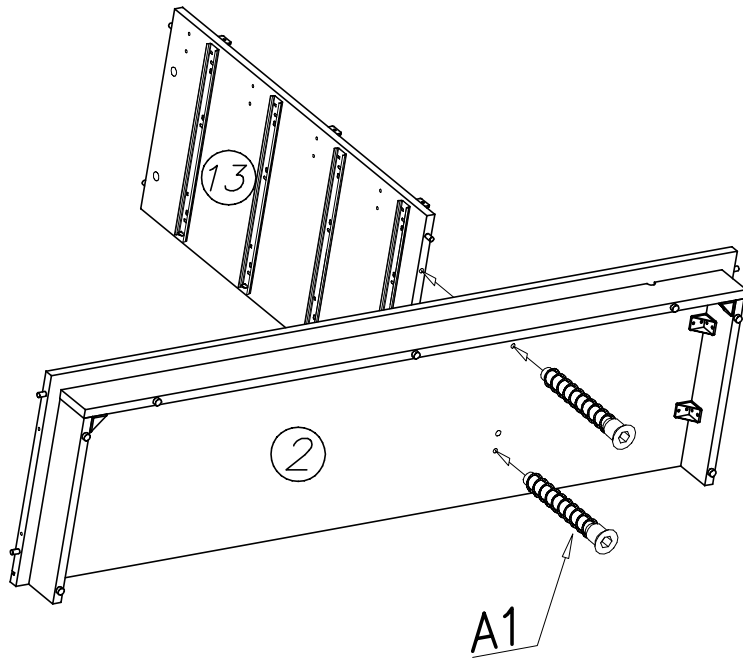
VII



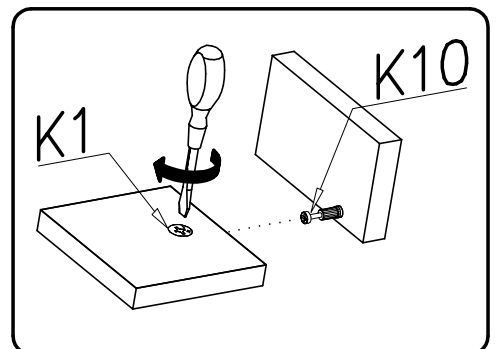
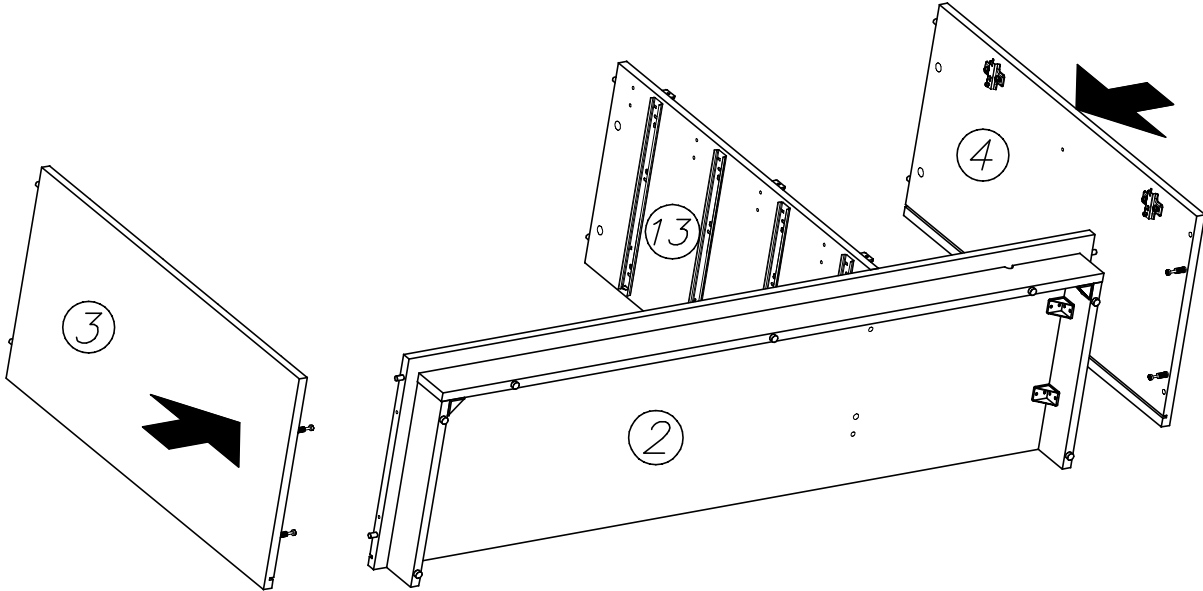
VIII



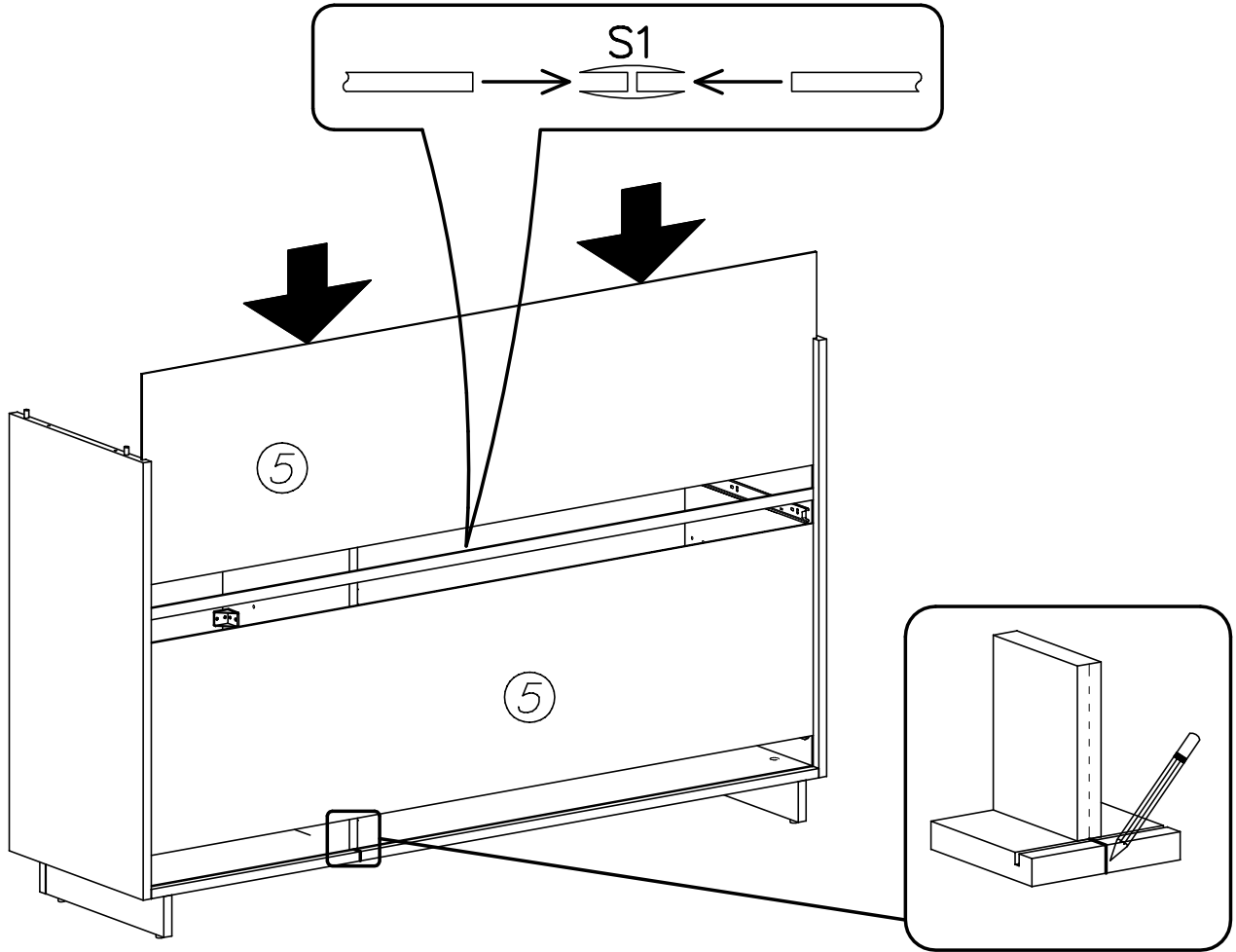
IX



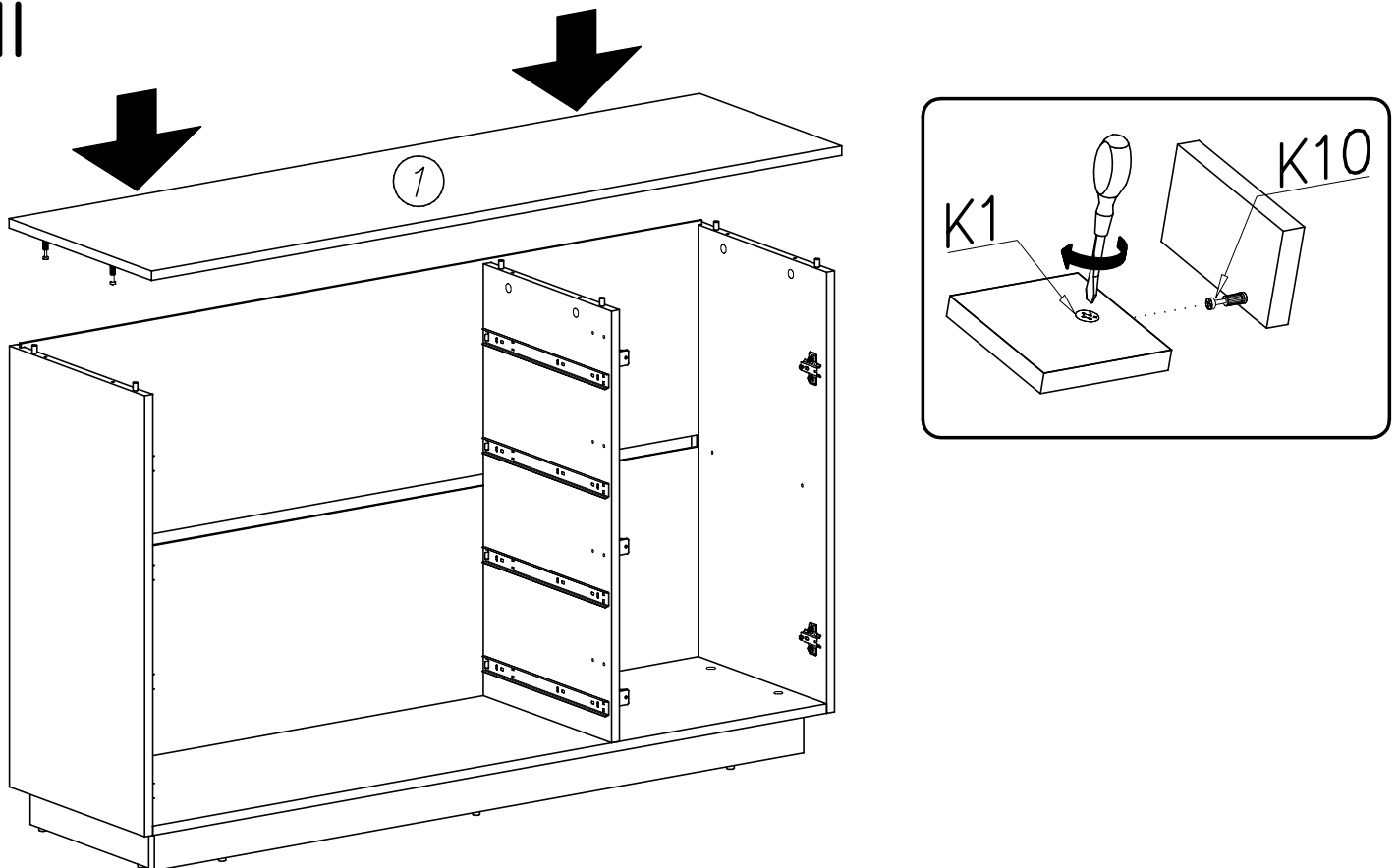
X



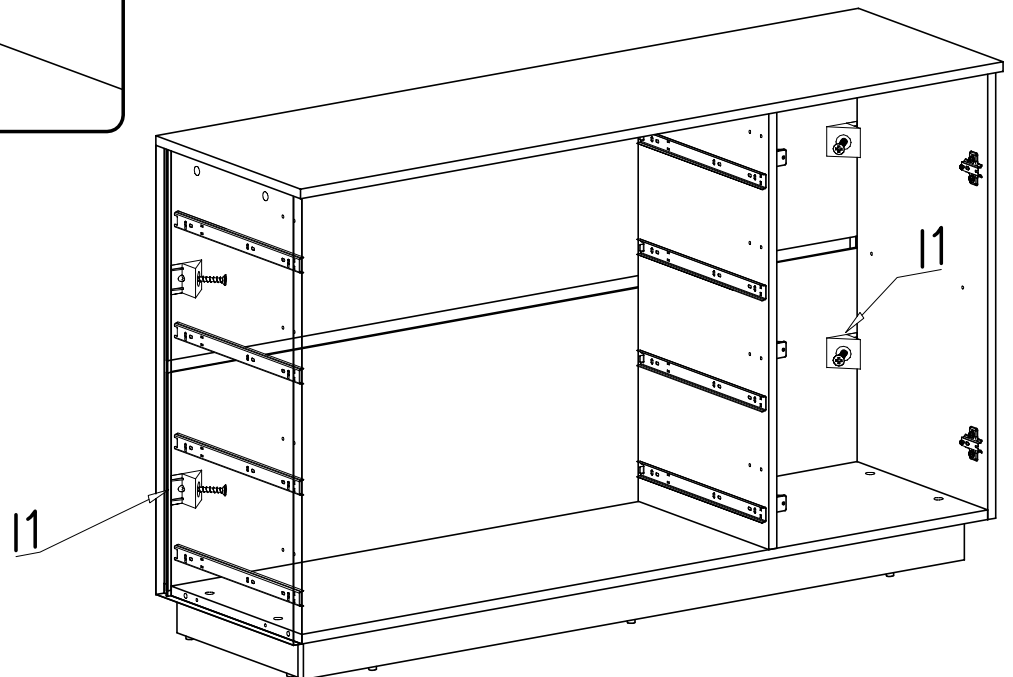
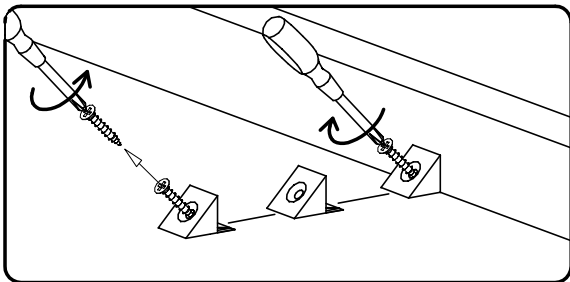
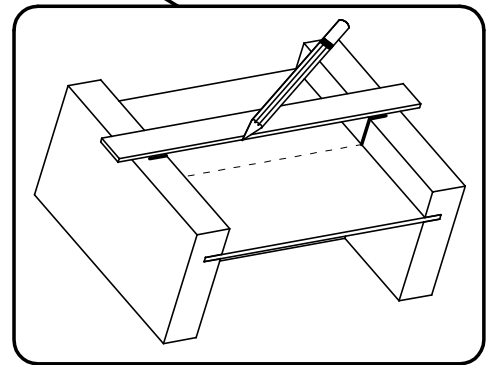
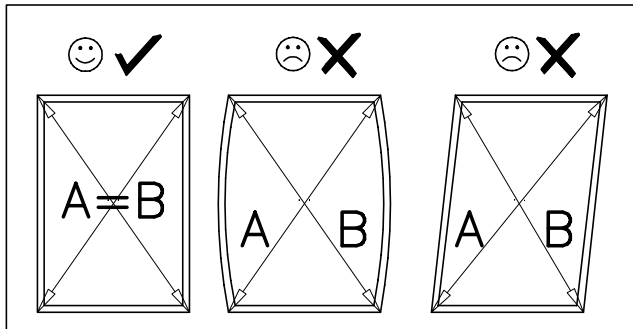
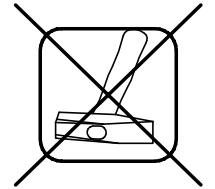
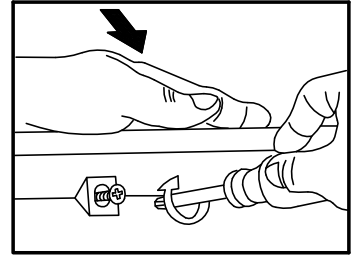
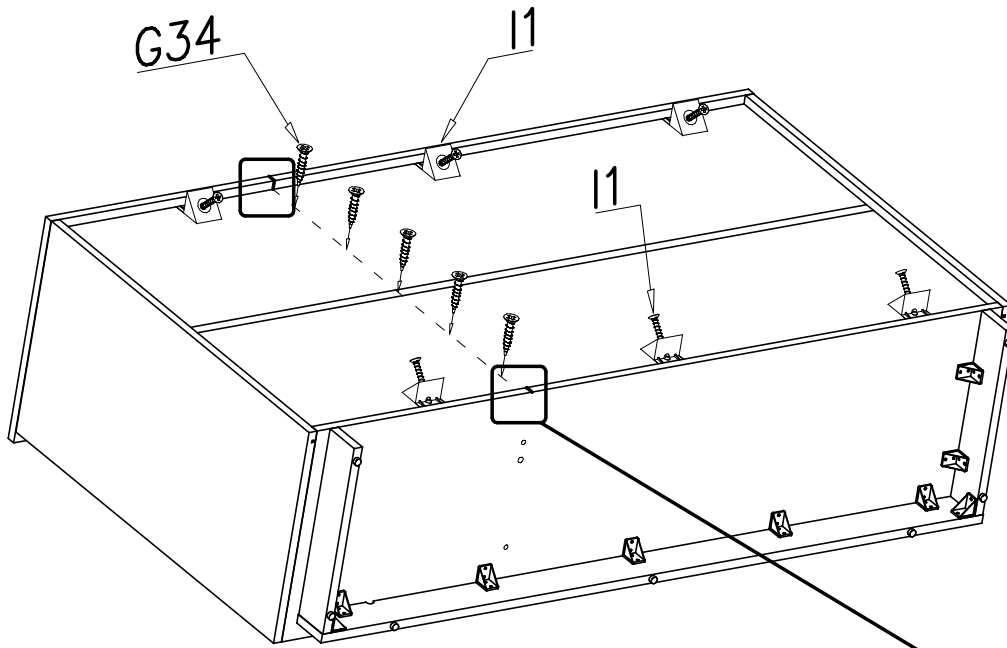
XI



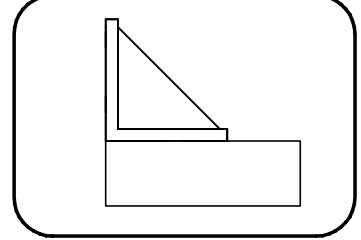
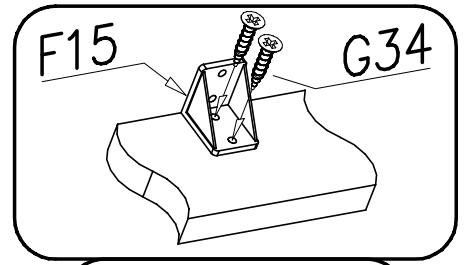
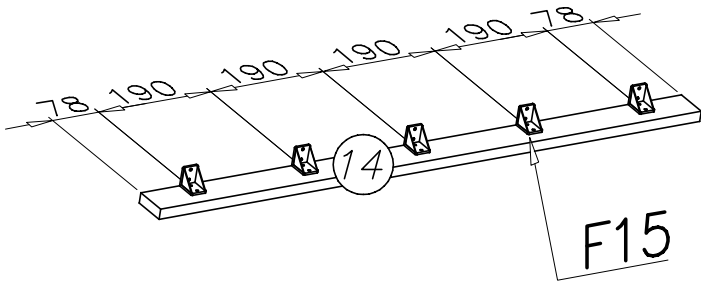
XII



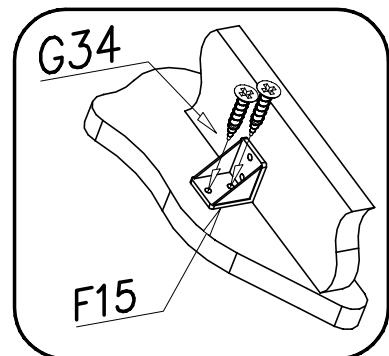
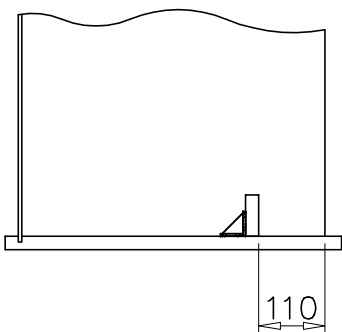
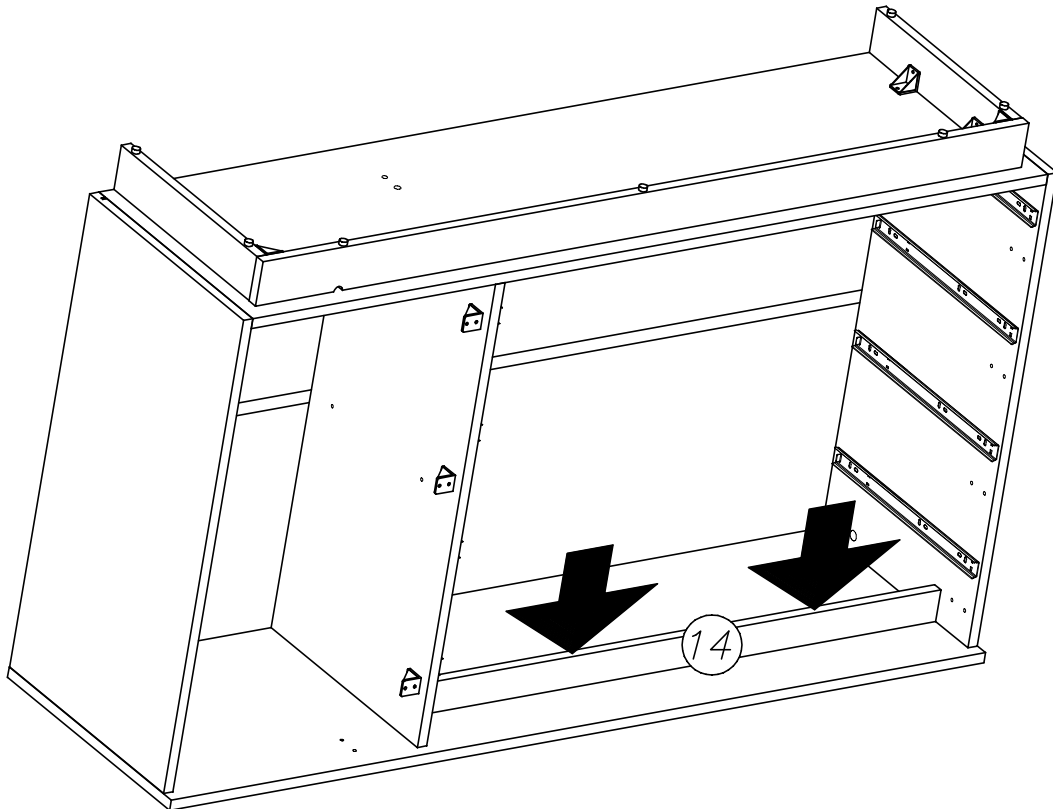
XIII



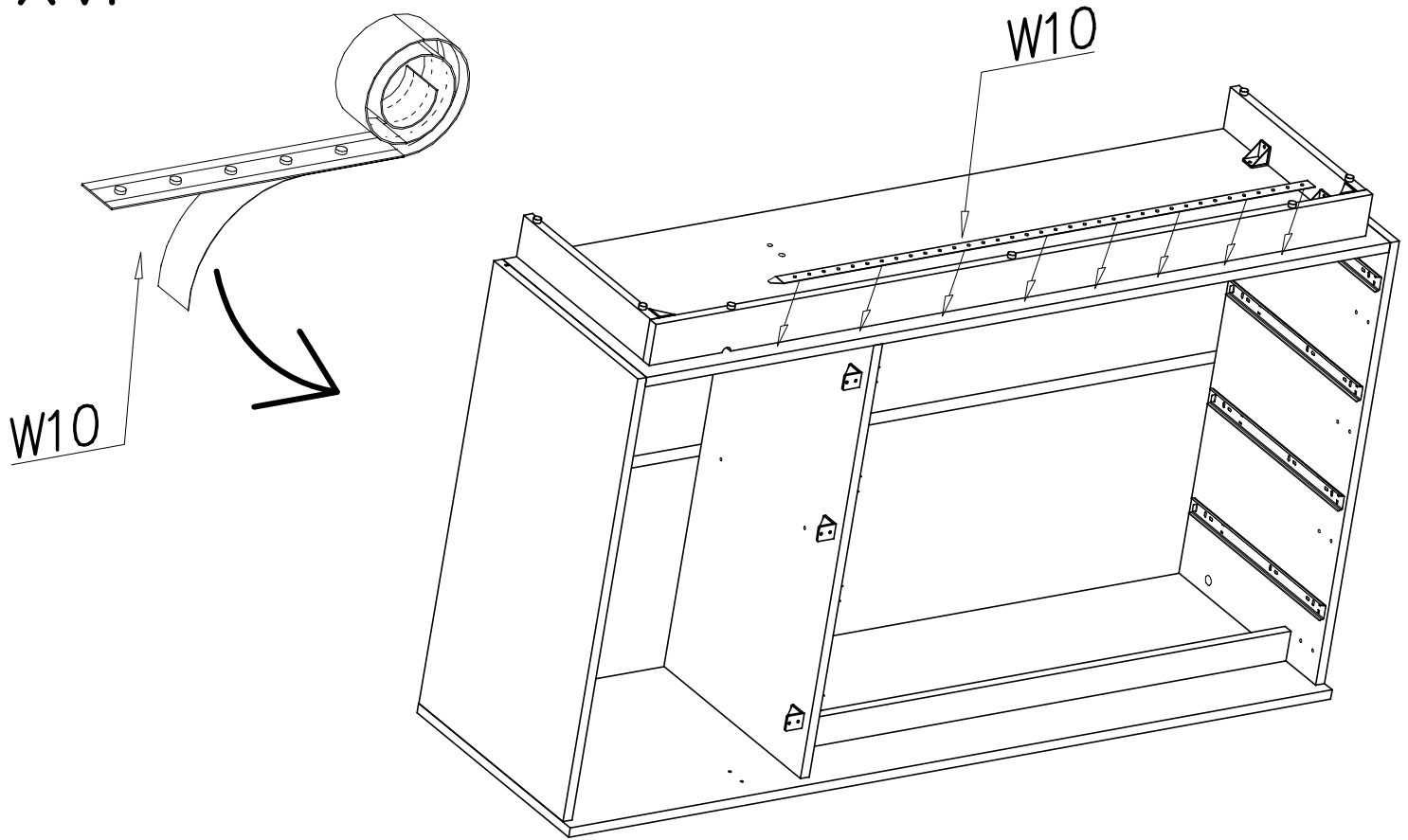
XIV



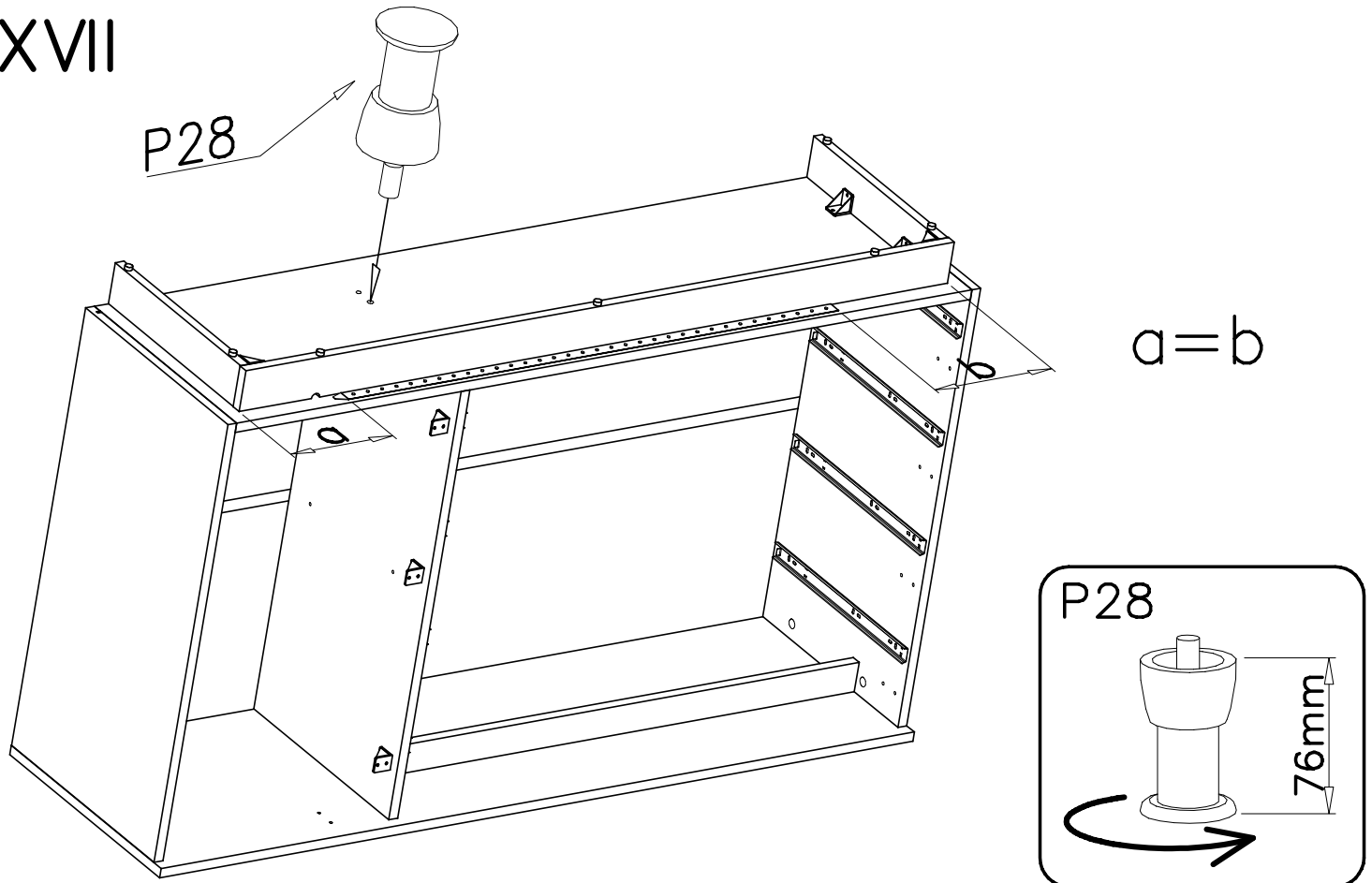
XV



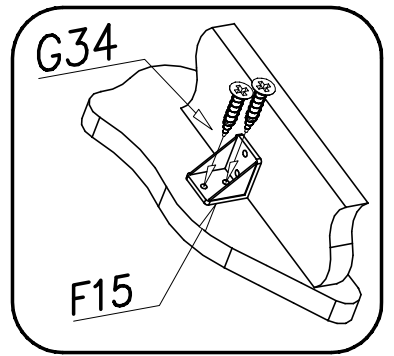
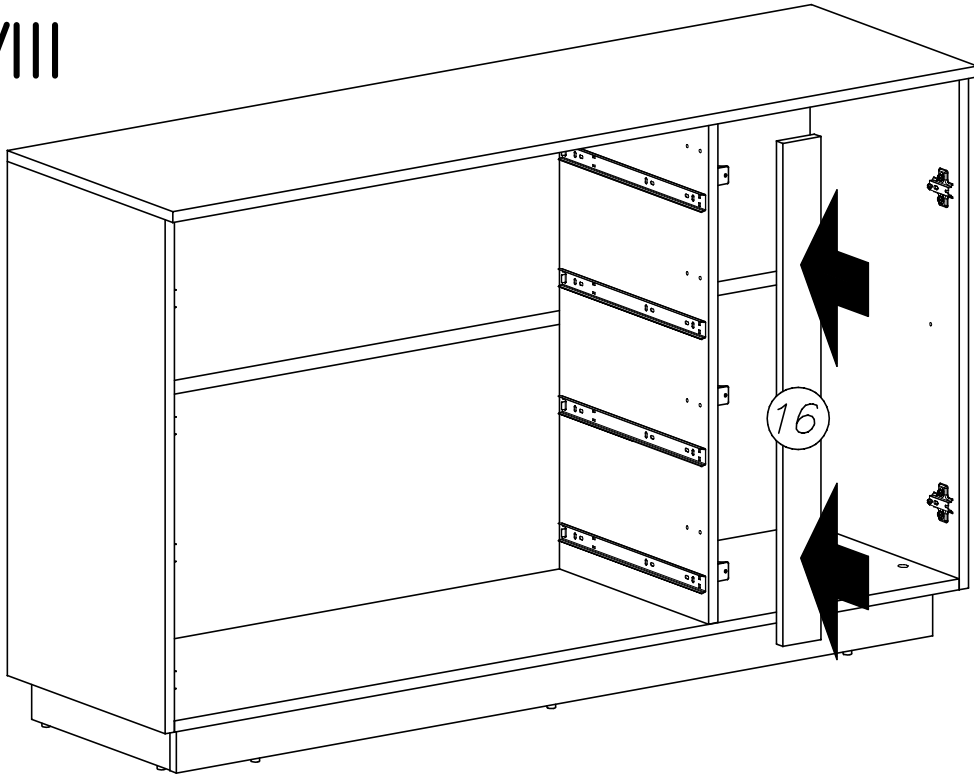
XVI



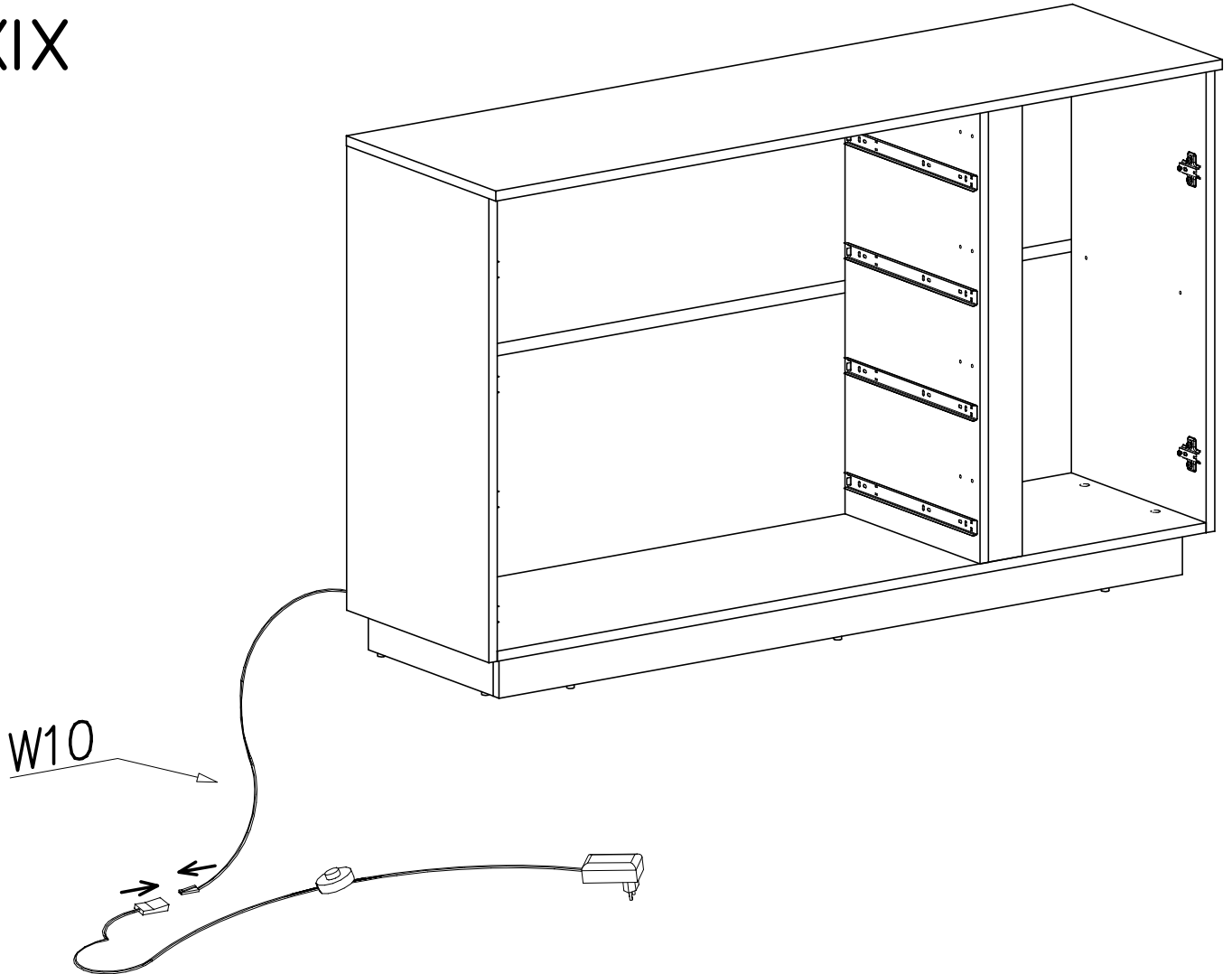
XVII



XVIII

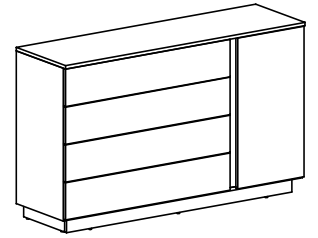
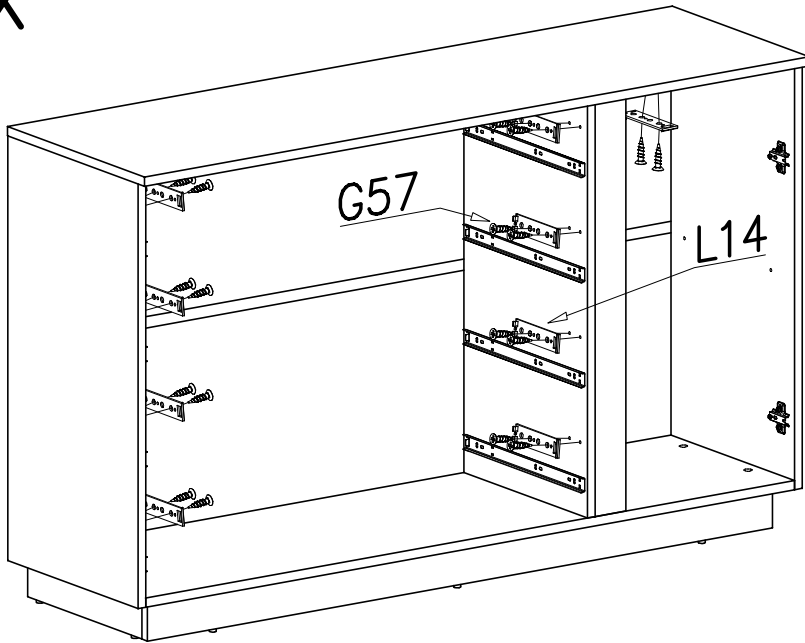


XIX

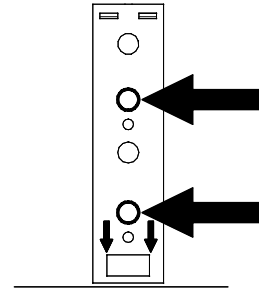


XX

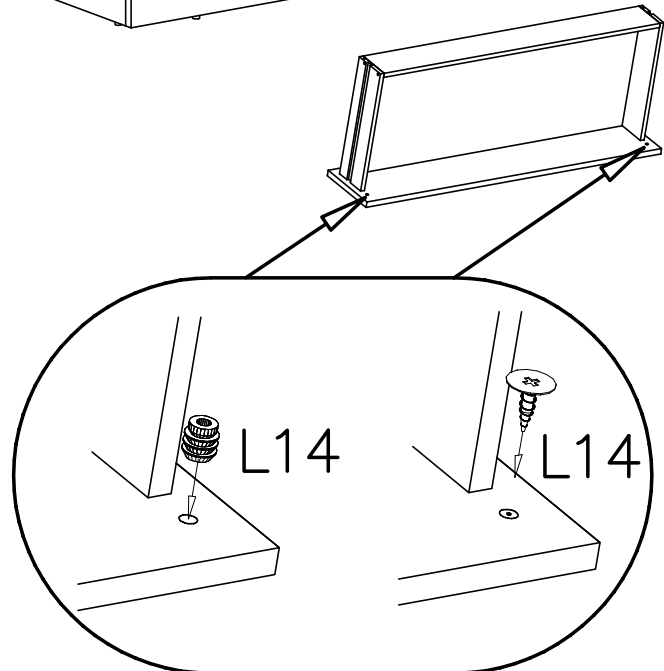
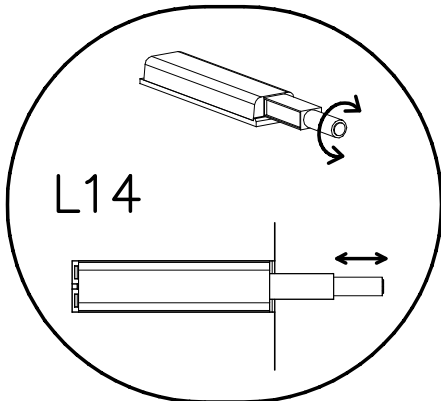
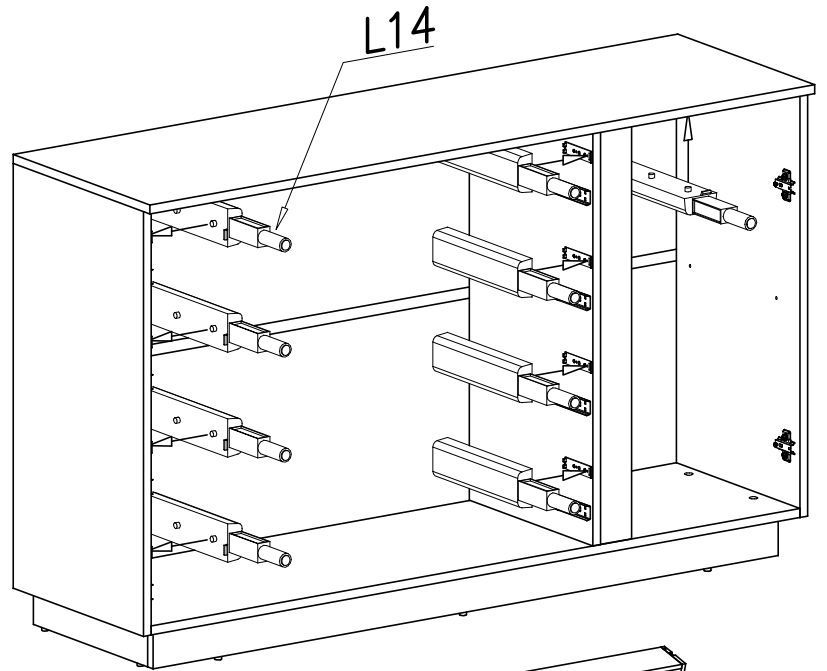
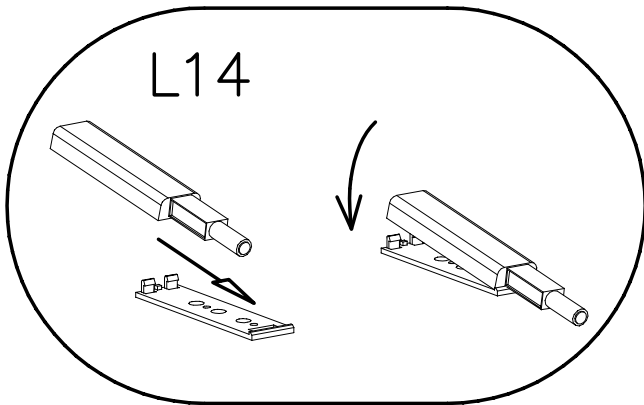
OPCJA B



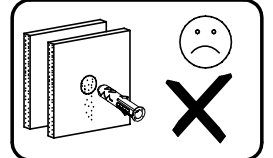
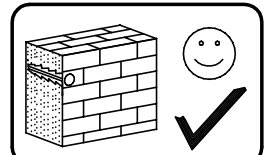
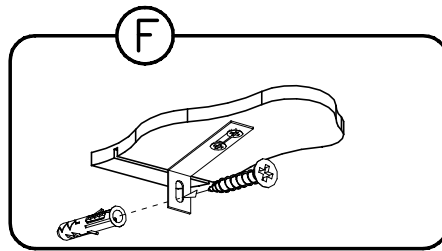
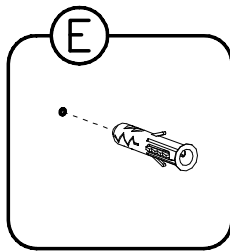
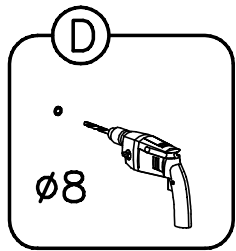
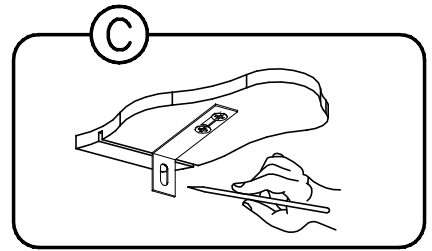
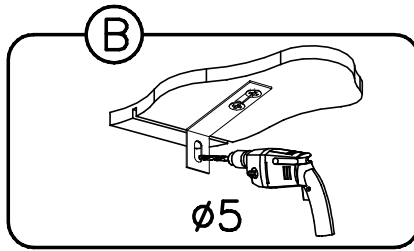
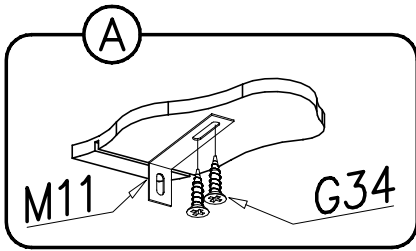
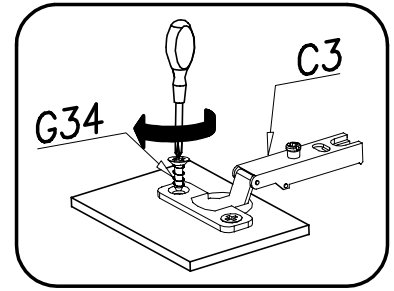
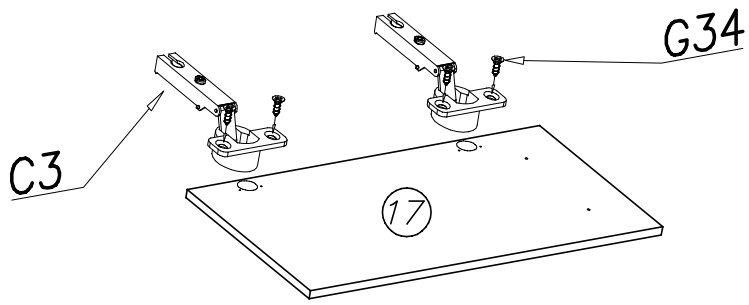
PUSH



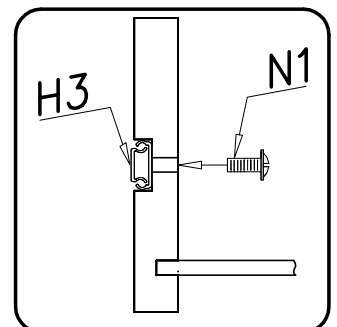
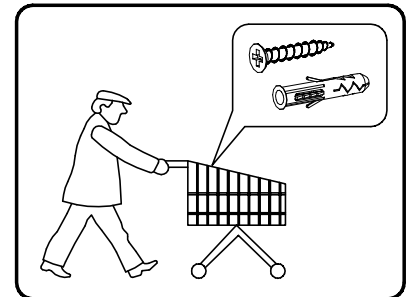
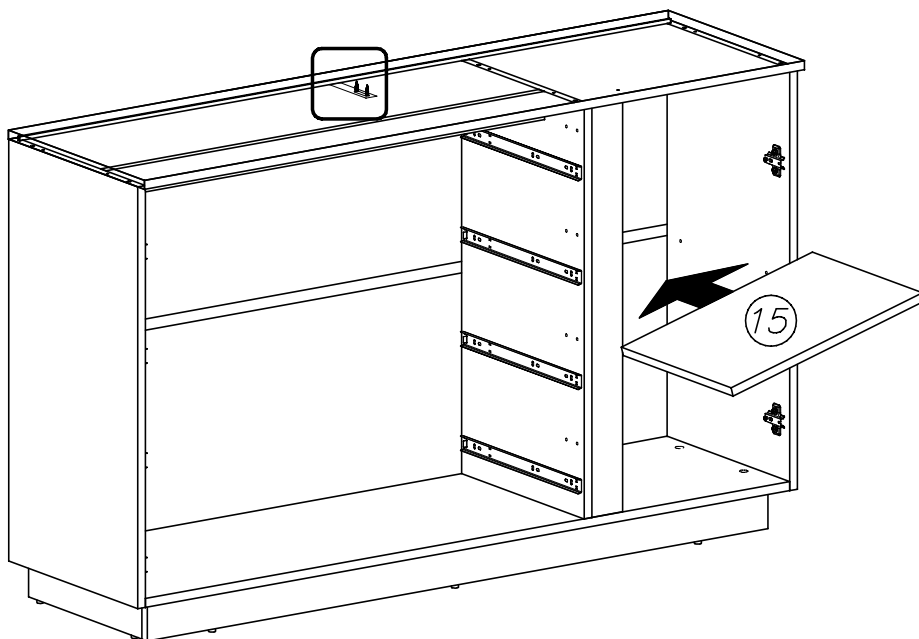
front



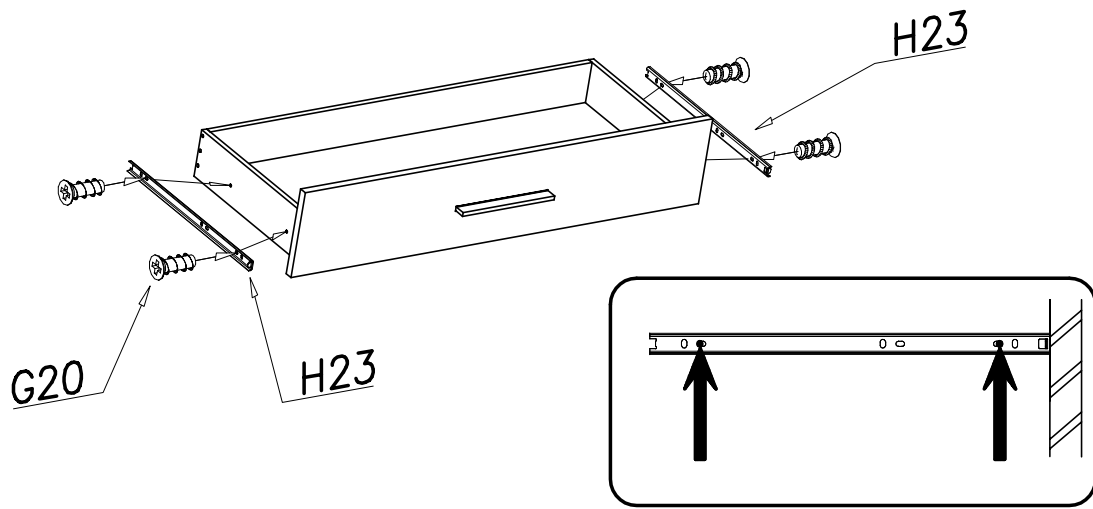
XXI



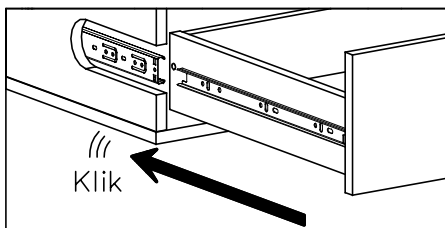
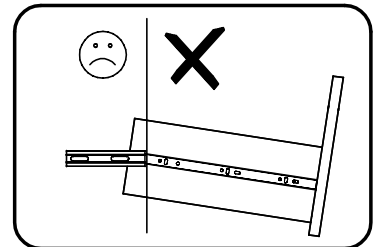
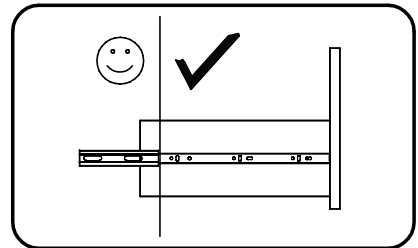
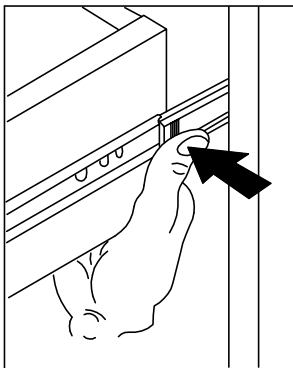
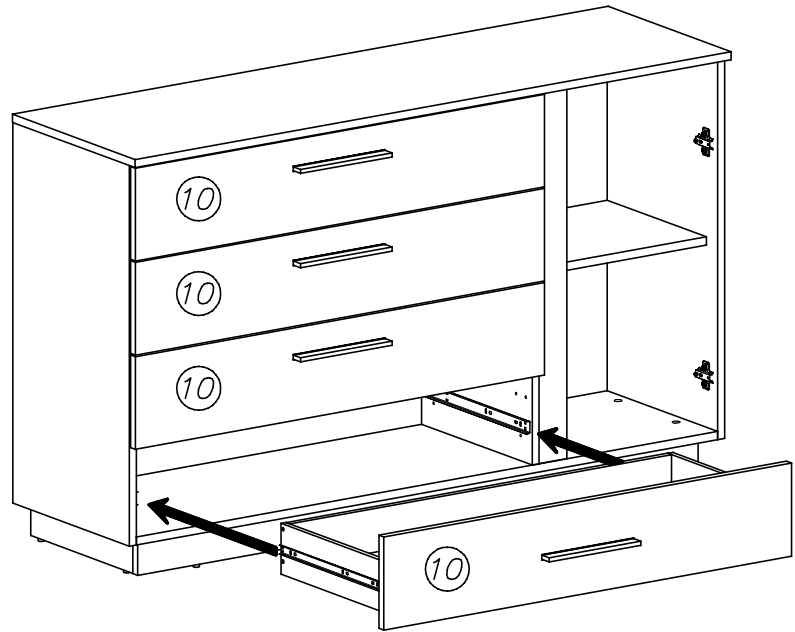
XXII



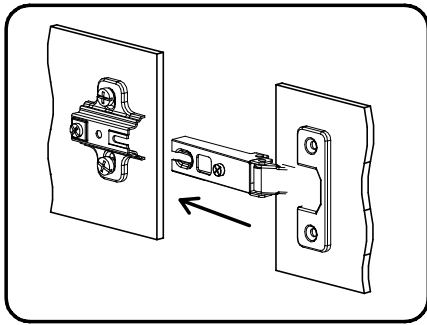
XXIII



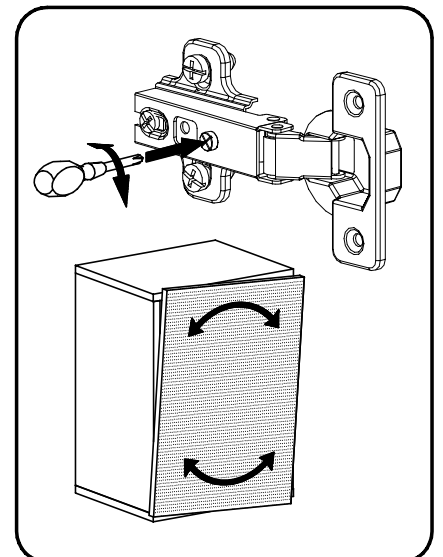
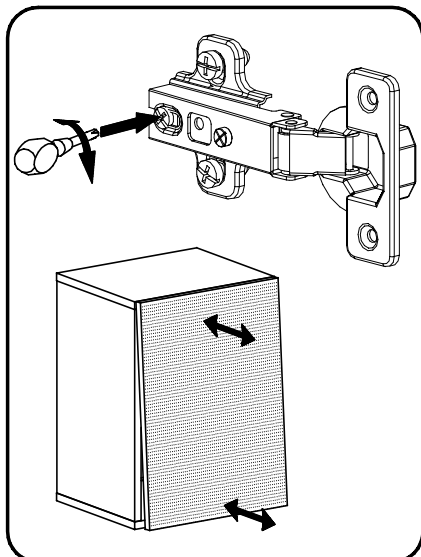
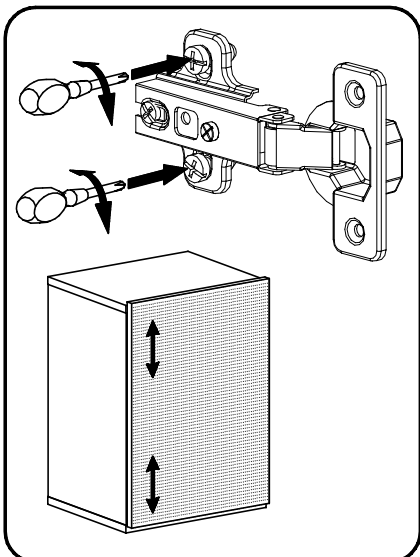
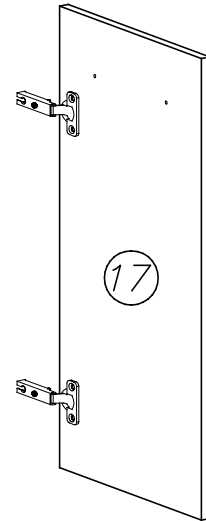
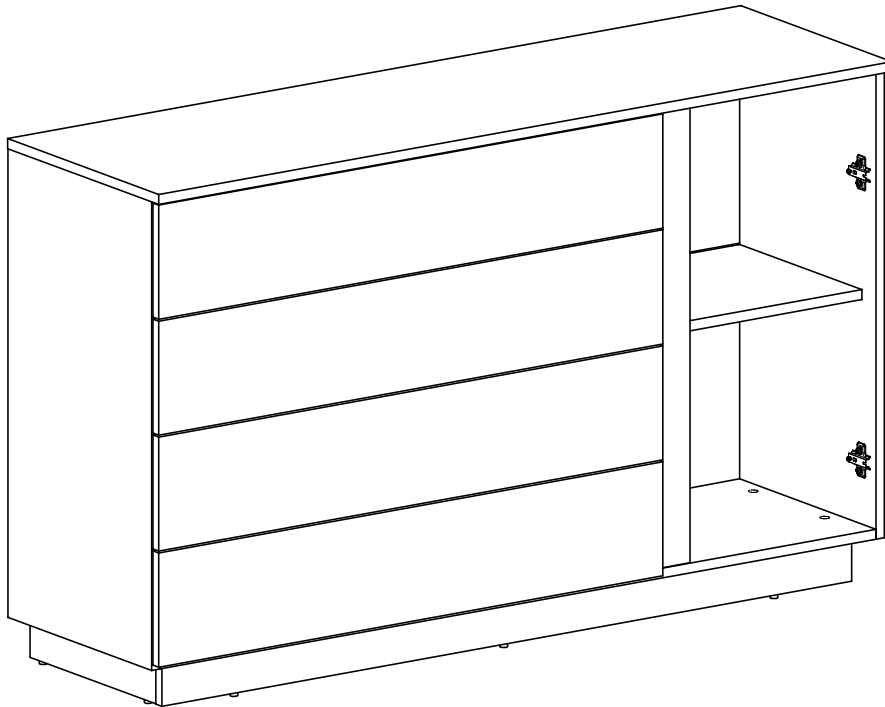
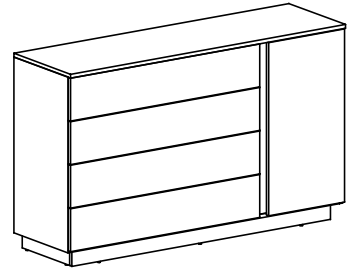
XXIV



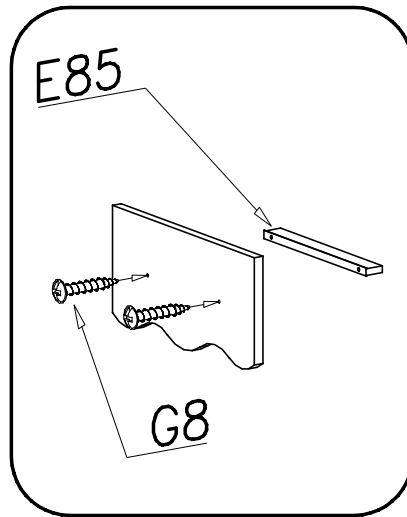
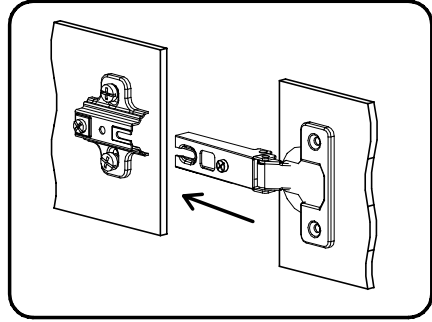
XXV



OPCJA B



XXVI



OPCJA A

