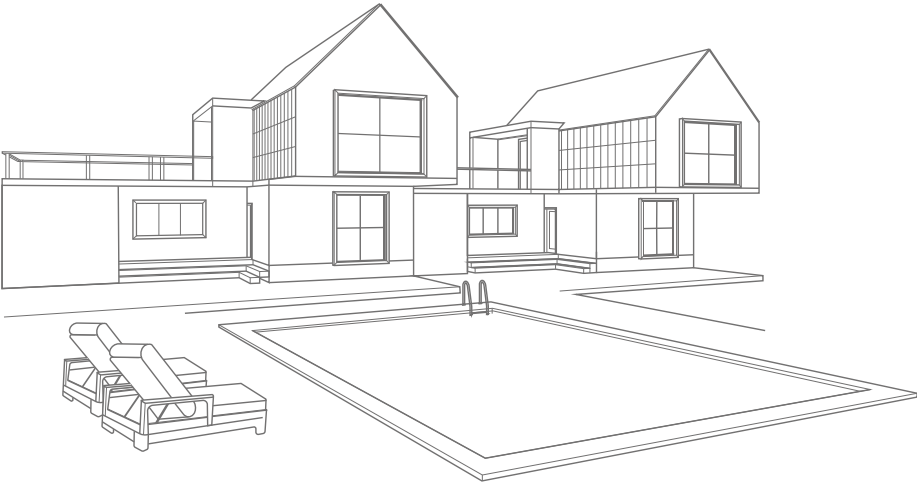


Shower Doors

Product ID. 70LJE



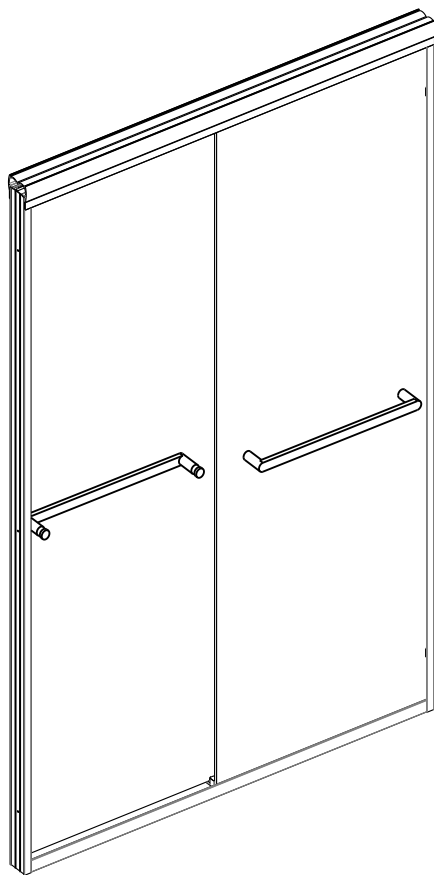
Scan for Support



Distributed by
GARVEE.com

support@garvee.com

INSTALLATION INSTRUCTIONS



Trouble shooting:

Missing / Wrong / Broken parts and installation issues



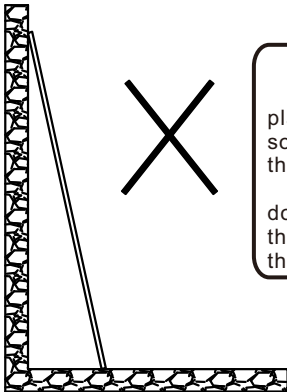
Send email with your question, pic and order NO. to
support@idealhouse.vip



Respond within 24 hours



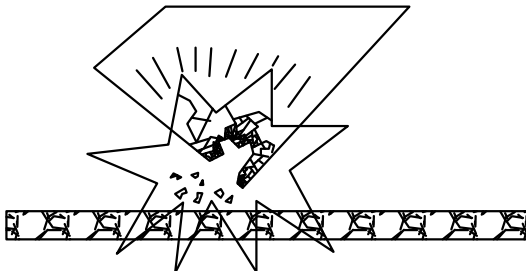
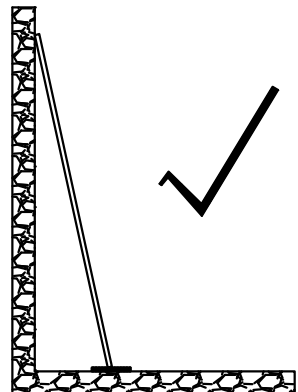
Issue resolved



WARNING

When the glass is placed upright, something soft should be placed on the bottom.

Tempered Glass, please don't hit the corners and the surrounding, otherwise the glass will burst.





Box Contents



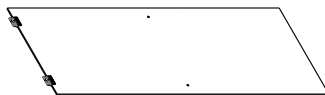
[01] x1
Top Horizontal
Rail



[02] x2
Wall Profile



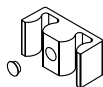
[03] x1
Bottom
Horizontal Rail



[04] x2
Door panel



[05] x2
Handle set



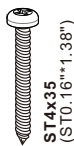
[06] x6
Glass Block



[07] x1
Glass Track



[08] x6
Wall Plug



[09] x6
Screw
ST4x35
(ST0.16**1.38")



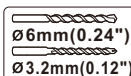
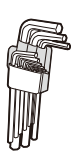
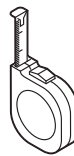
[10] x2
Screw
ST4x12
(ST0.16**0.47")

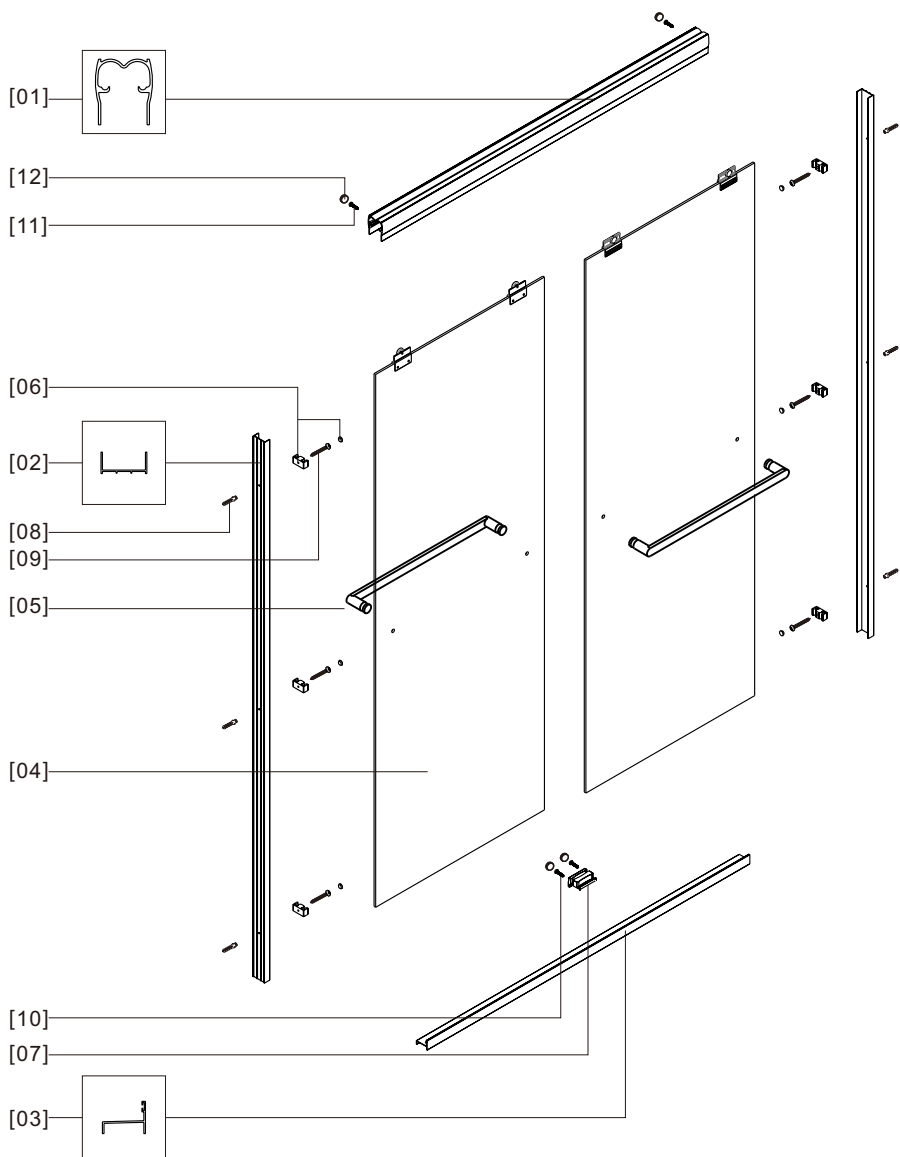


[11] x2
Screw
ST4x8
(ST0.16**0.31")



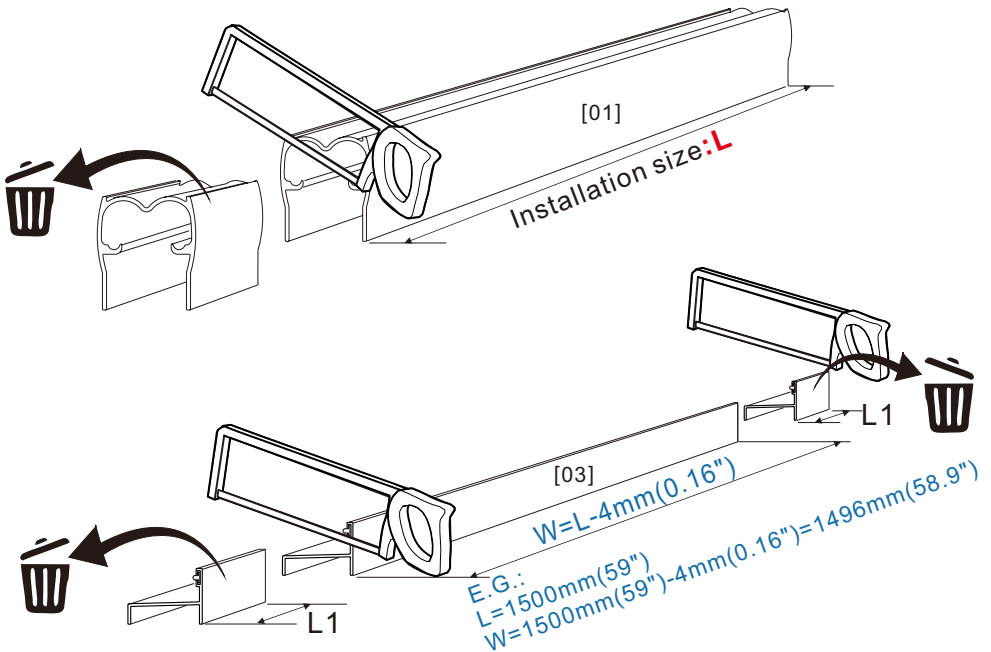
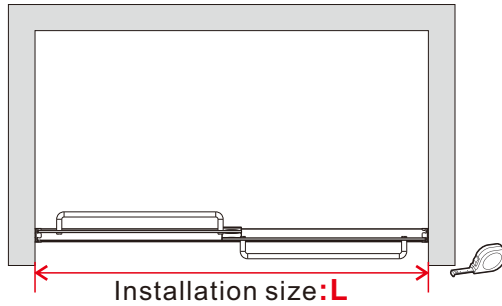
[12] x4
Screw cap







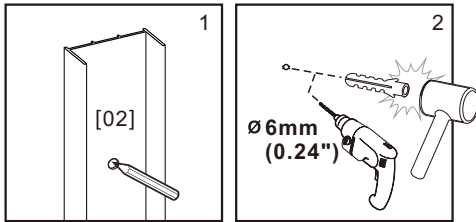
01



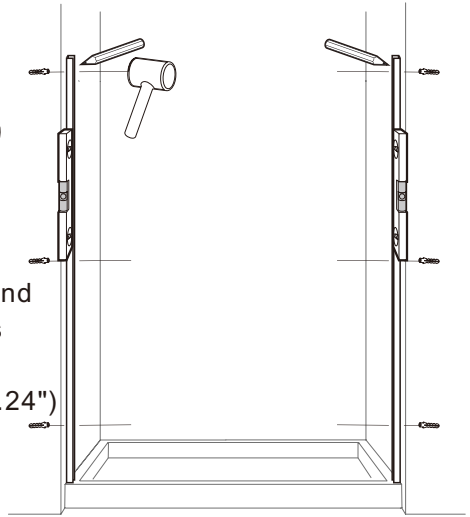
- ①. Measuring Installation size L.
- ②. Cut the top horizontal rail [01] to length: Installation size L.
- ③. Cut the bottom horizontal rail [03] 's length W is: Installation size L subtract 4mm (0.16") .

Note: When cutting the bottom horizontal rail, it needs to be cut in half at each end.

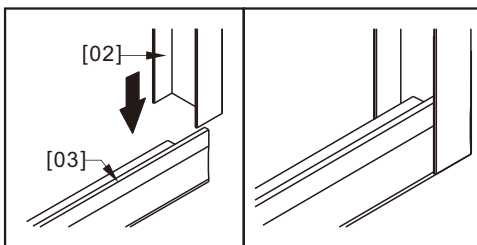
02



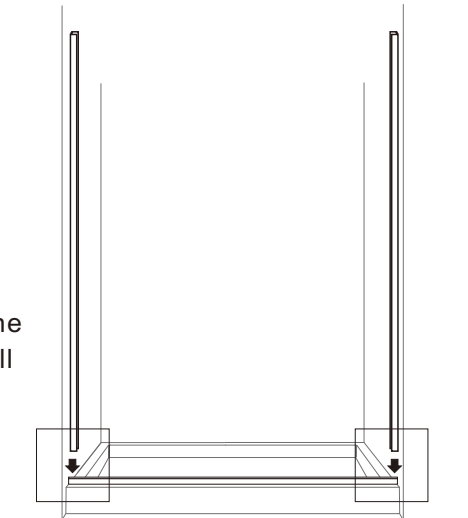
1. Place [02] wall profile against the wall and draw verticality with a ruler. Line the holes
2. A $\Phi 6\text{MM}$ (0.24") drill bit was used to drill holes, and an expansion sleeve of 6mm (0.24") was inserted.



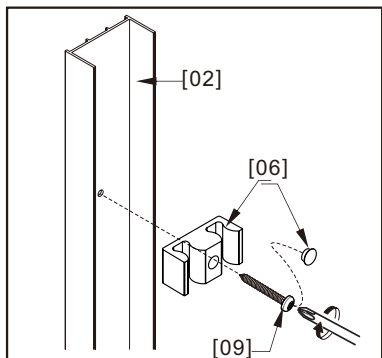
03



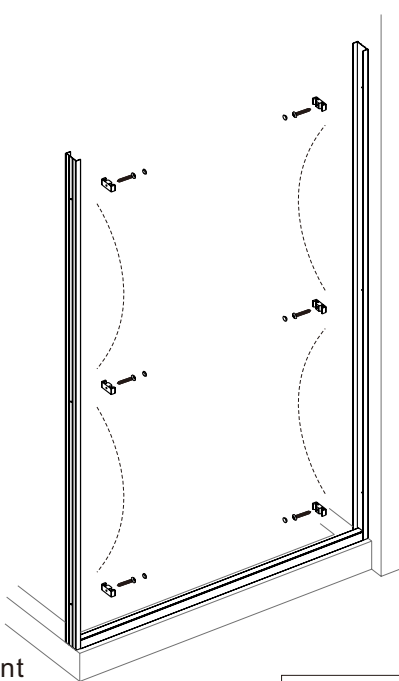
Place the bottom horizontal rail [03] on the ground or bottom basin and lower the wall profile [02] against the bottom horizontal rail (including the bottom horizontal rail).



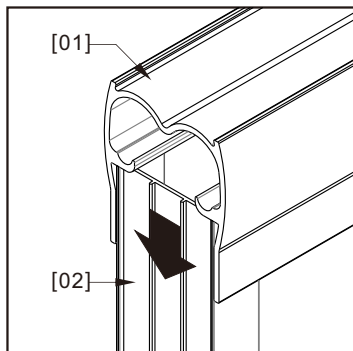
04



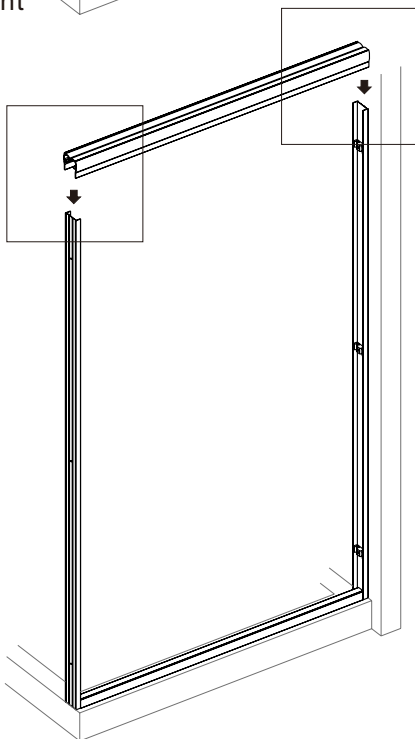
Screwing with ST4*35(St0.16"* 1.38") between the [06] block and wall profile and locking them in the expansion sleeve of the wall, and cover them. Pls note: For this step , firstly placing the moveable glass inside, so it is convenient for subsequent installation.




05

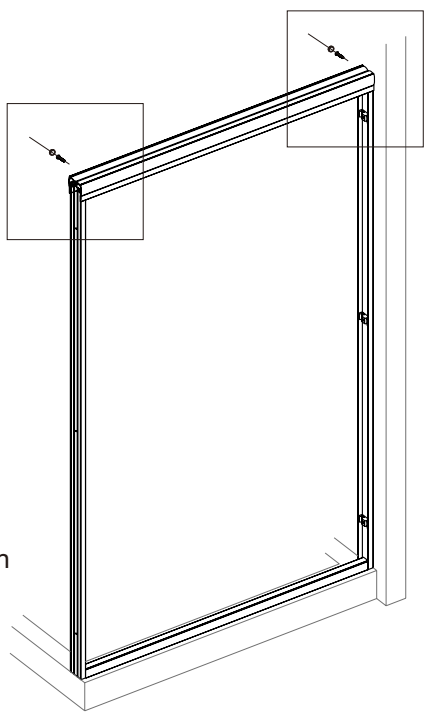
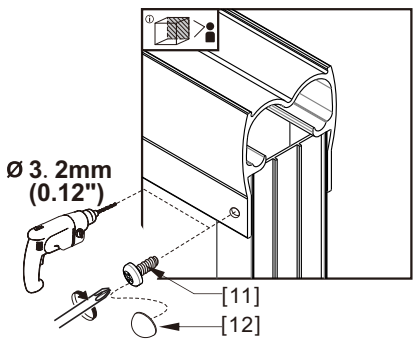


Put the top horizontal rail [01] down from the top of the wall profile and cover it, pls note that the side with hole should be put inside.



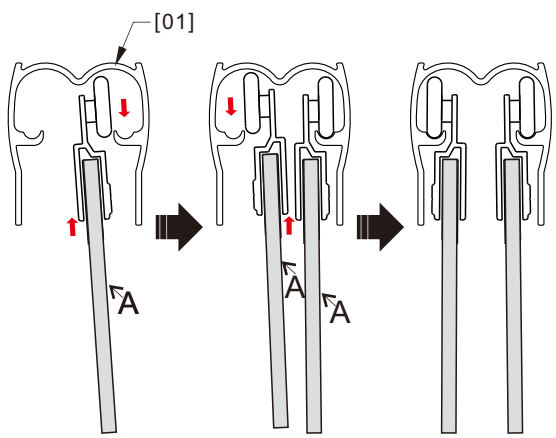
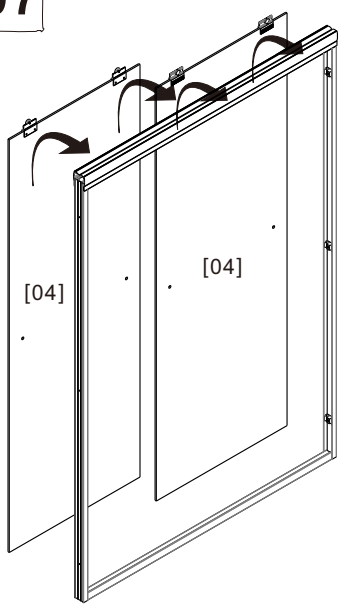
06

 View from inside



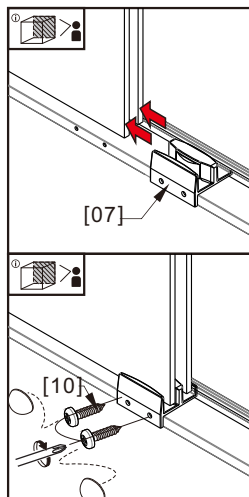
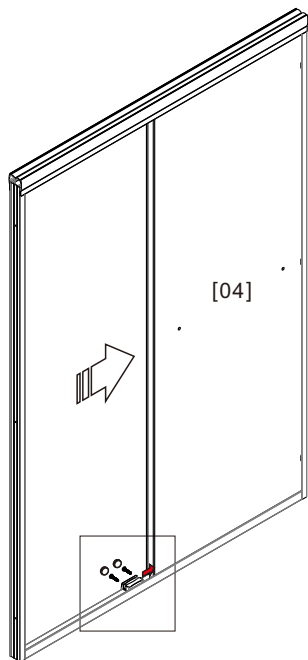
Use $\Phi 3.2\text{mm}$ (0.12") drill to drill through the holes at both ends of the upper rail, and use ST4*8(St0.16"* 0.31") screw to lock it, put the cover.

07



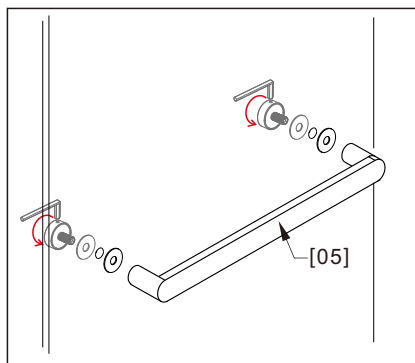
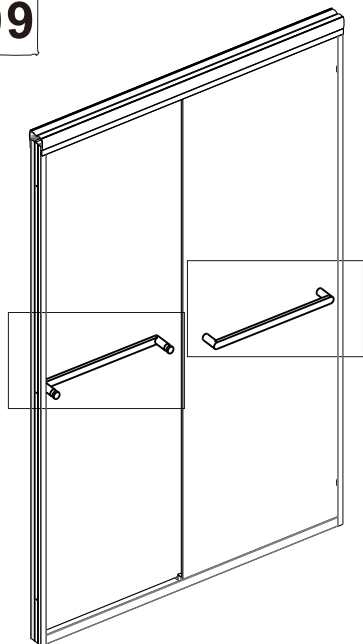
Hang the [04] door panel on the top rail respectively. Pls note that the A side be facing out, hanging on the outside glass at first, and then hanging inside glass.

08



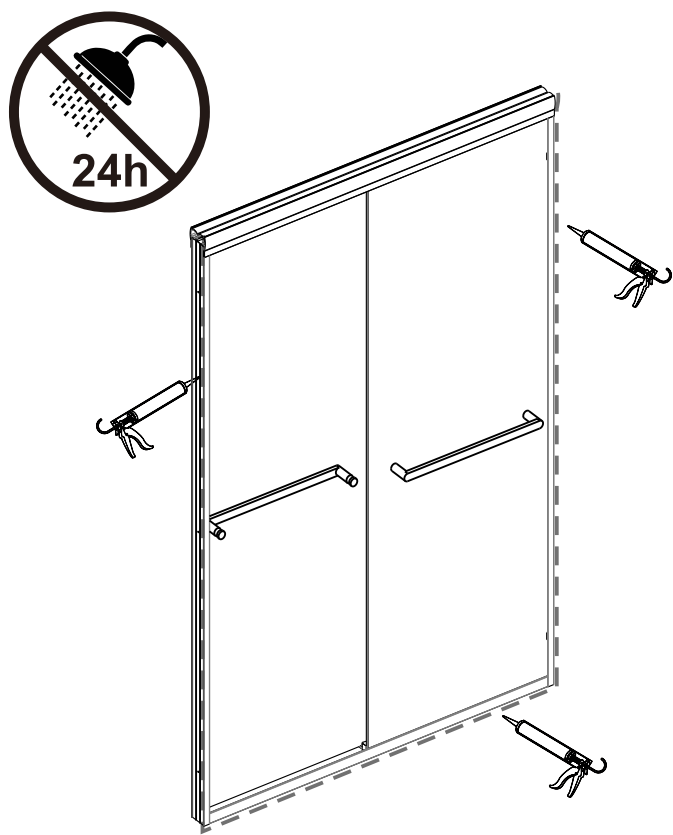
Push two pieces of movable glass to one side, insert the [07] lower guide block from the other side, align the holes on the lower track, lock with ST4*12(St0.16"*0.47") screw, and cover the cap.

09



Put the towel bar on the movable glass. Note: The inner movable glass towel bar faces inward and the outer movable glass towel bar faces outward.

10



Put the glue in the product edge and the ground wall joint (dotted line position), and do not spray and move the product within 24 hours.