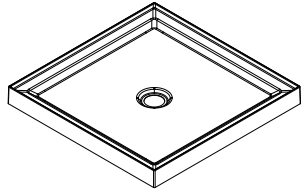


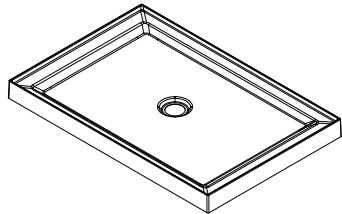
Installation Manual

Compatible Models:

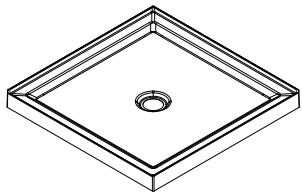
SBF36-3W
SBF36-3B



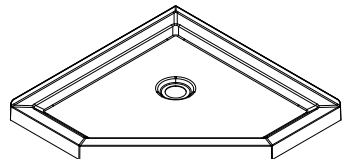
SBC48-3W



SBF36-2B
SBF36-2W



SBZ36-2W
SBZ36-2B



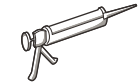
Pre-installation preparation



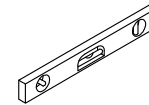
Tape Measure



Pencil



Sealant Gun



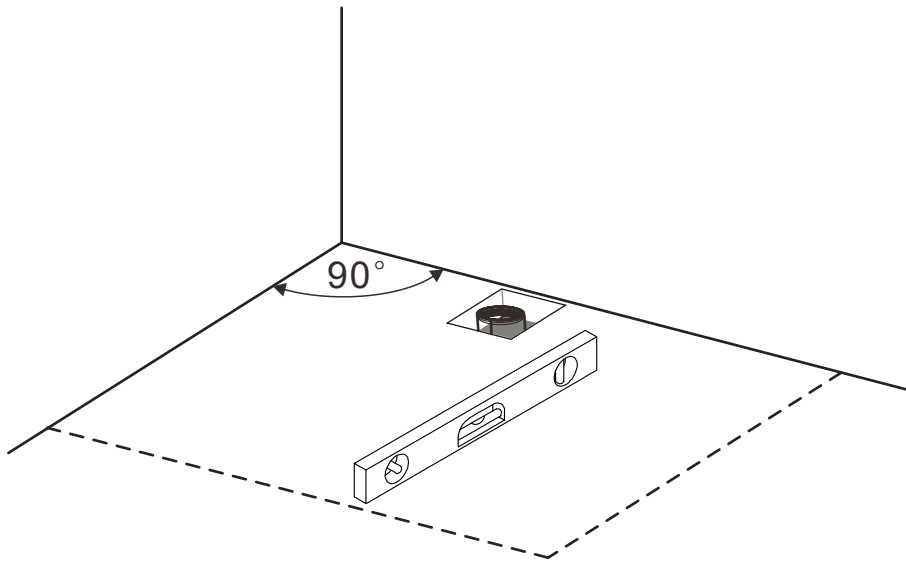
Level



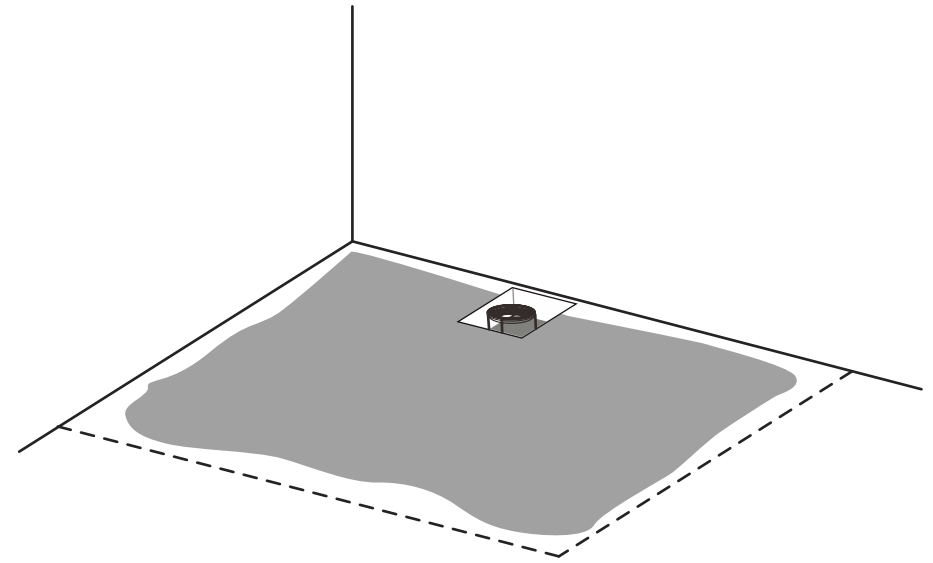
Cement or other material



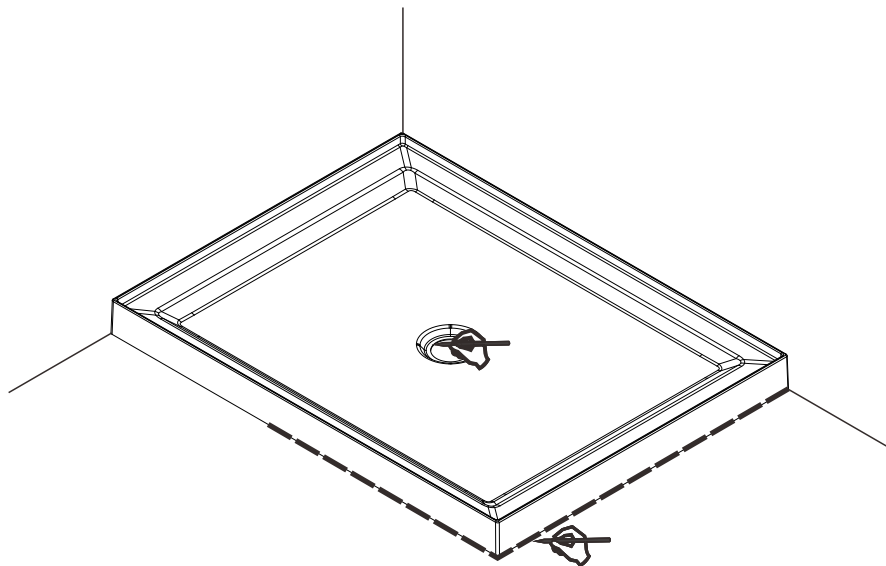
Ensure the floor is level and corners form 90-degree angles.



Pour concrete mortar at the shower pan installation location.



Use a tape measure and pencil to measure and mark the installation area.

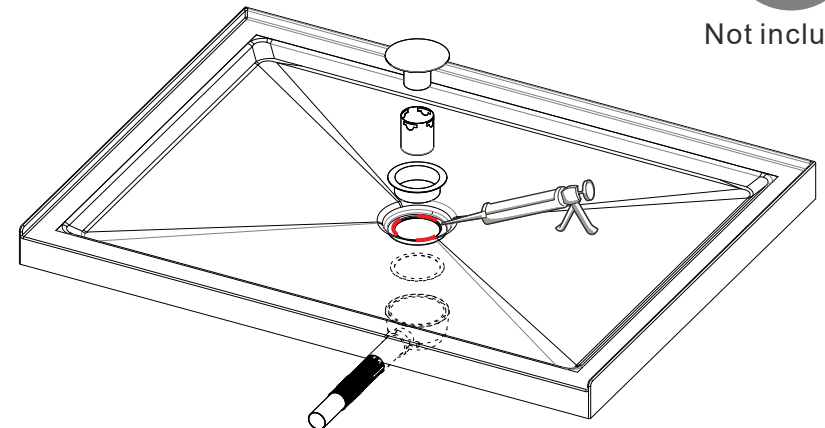


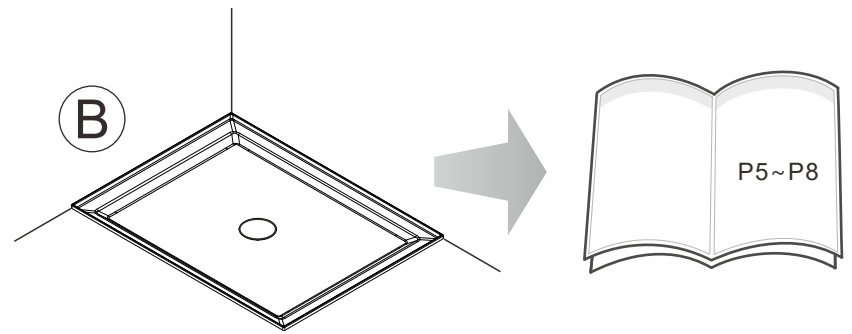
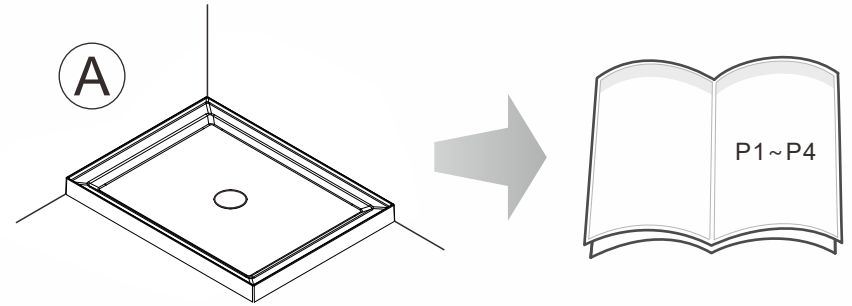
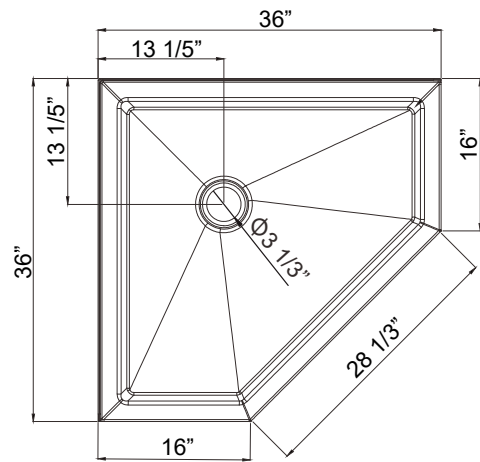
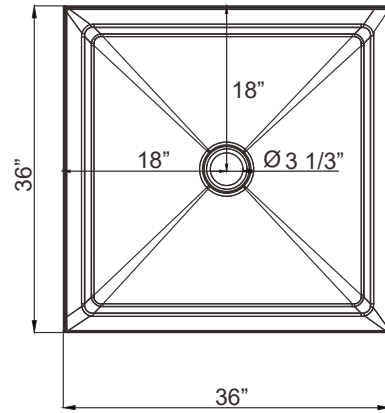
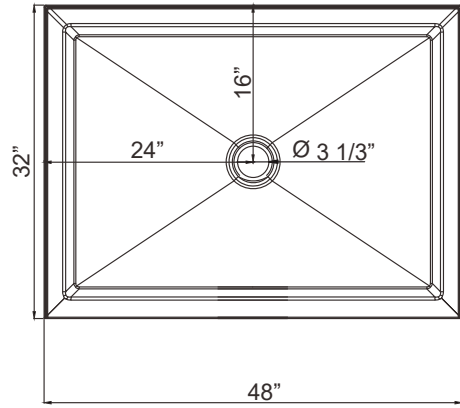
Install the drain assembly and plumbing pipes.

**The shower pan does not include a drain kit.
The drain hole diameter measures 3 1/3 inches.**



Not included



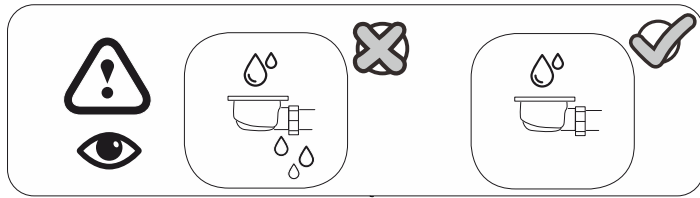
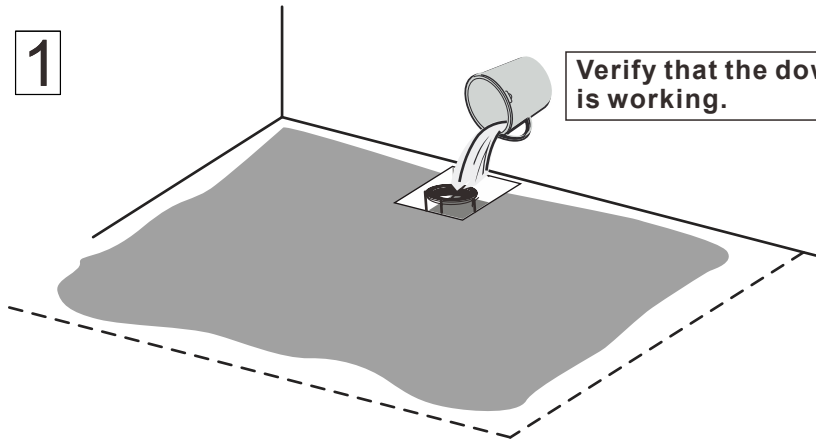


Select the installation method based on actual site conditions.

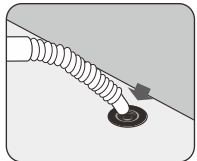
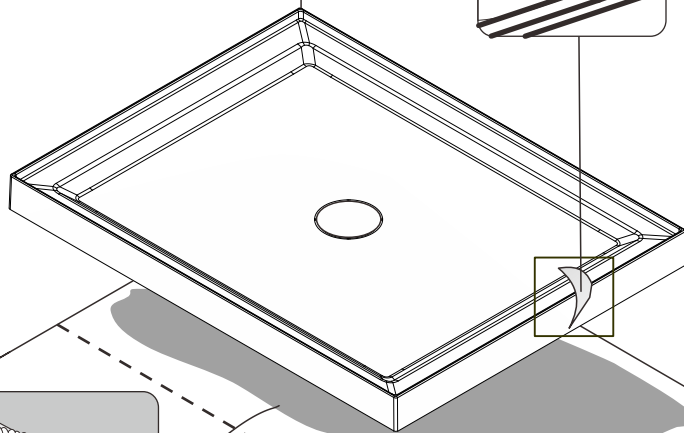
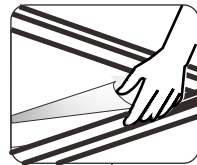
A

1

Verify that the downspout is working.



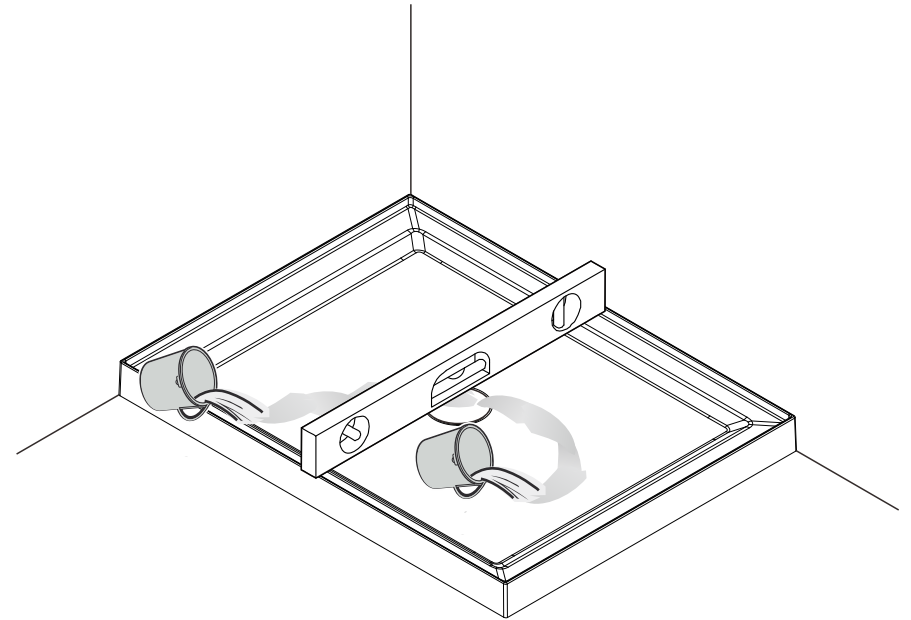
Place the assembled shower pan into the wet concrete mortar.



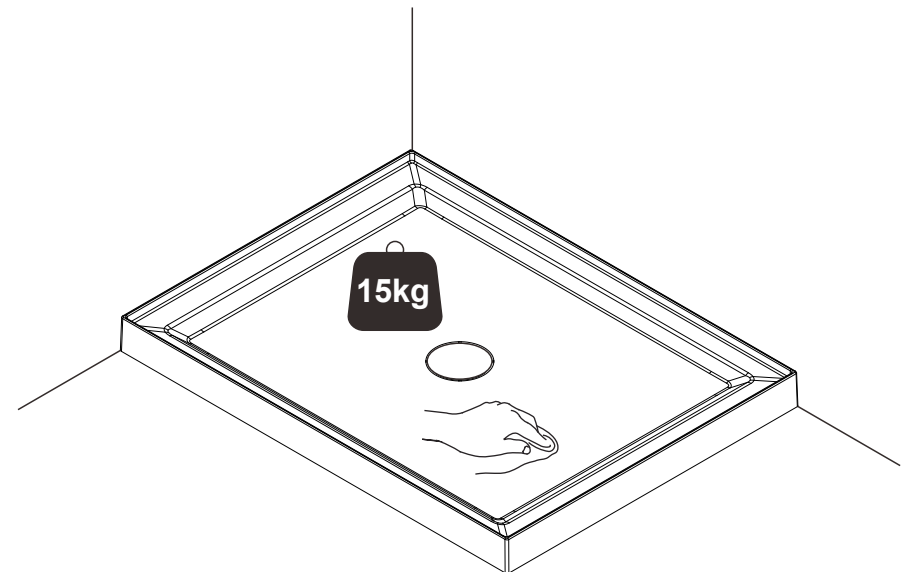
1

2

Use a level to ensure the shower pan is installed perfectly flat.



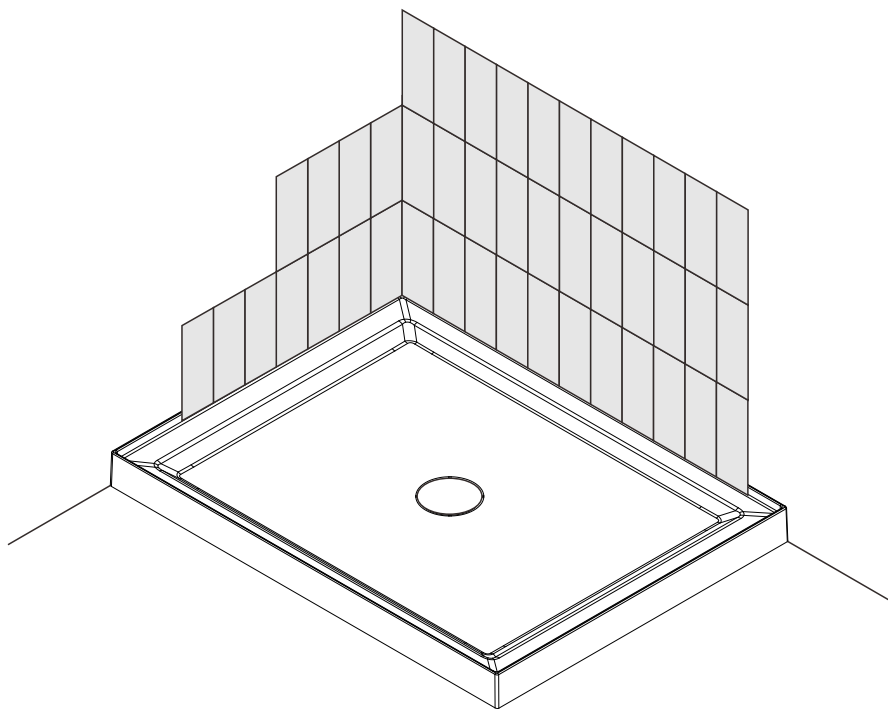
Test drainage by running water or rolling a small ball to check for proper flow and ensure no standing water remains.



2

3

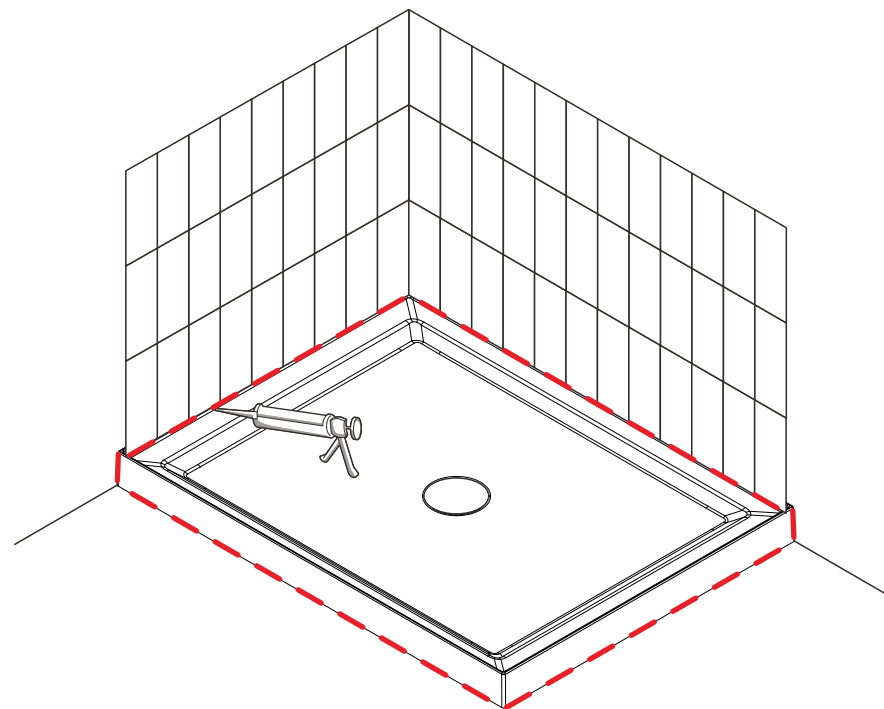
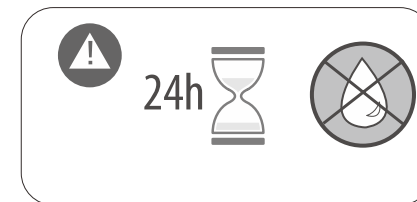
Install wall tiles over the shower pan edge, ensuring full overlap for waterproof sealing.



3

4

Dry the installed shower pan thoroughly, apply sealant along the edges, and allow 24 hours of curing time before use.

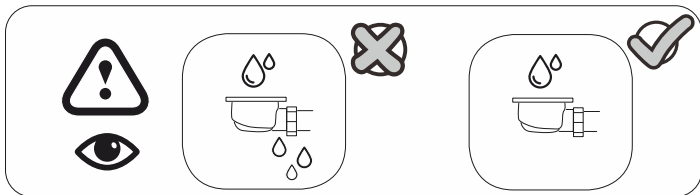
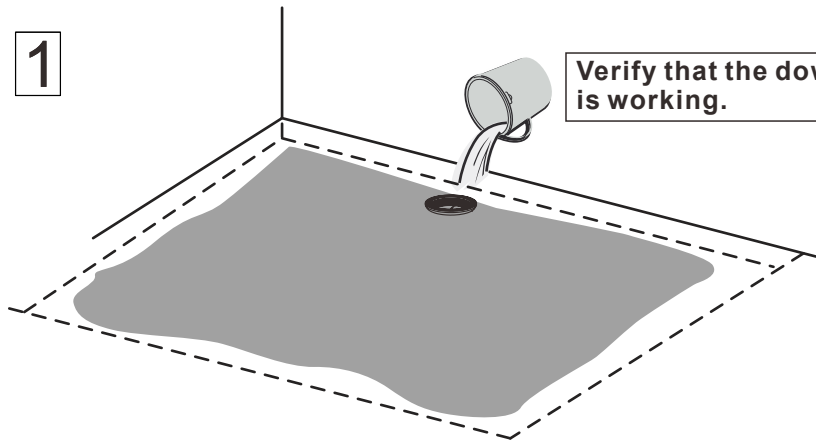


4

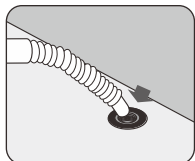
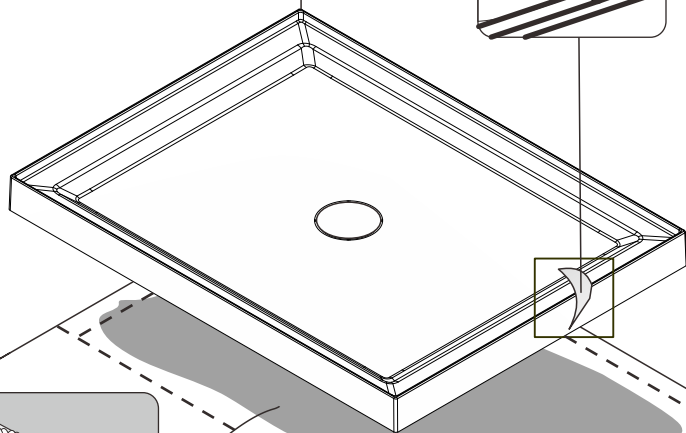
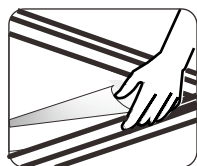
B

1

Verify that the downspout is working.

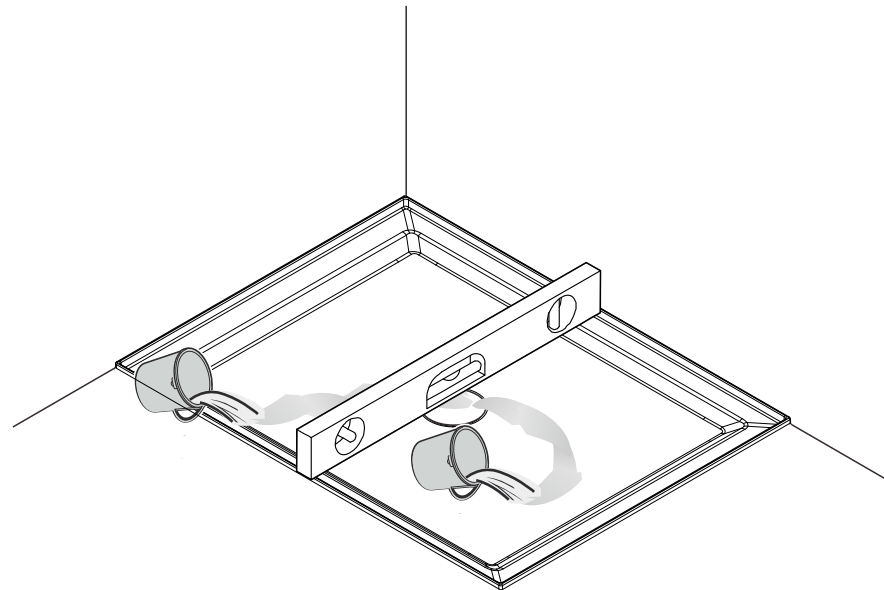


Place the assembled shower pan into the wet concrete mortar.

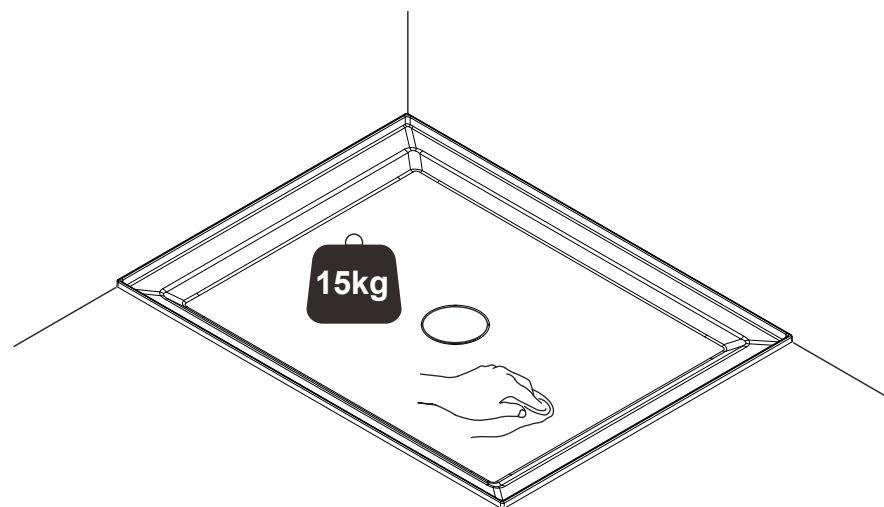


5

Use a level to ensure the shower pan is installed perfectly flat.



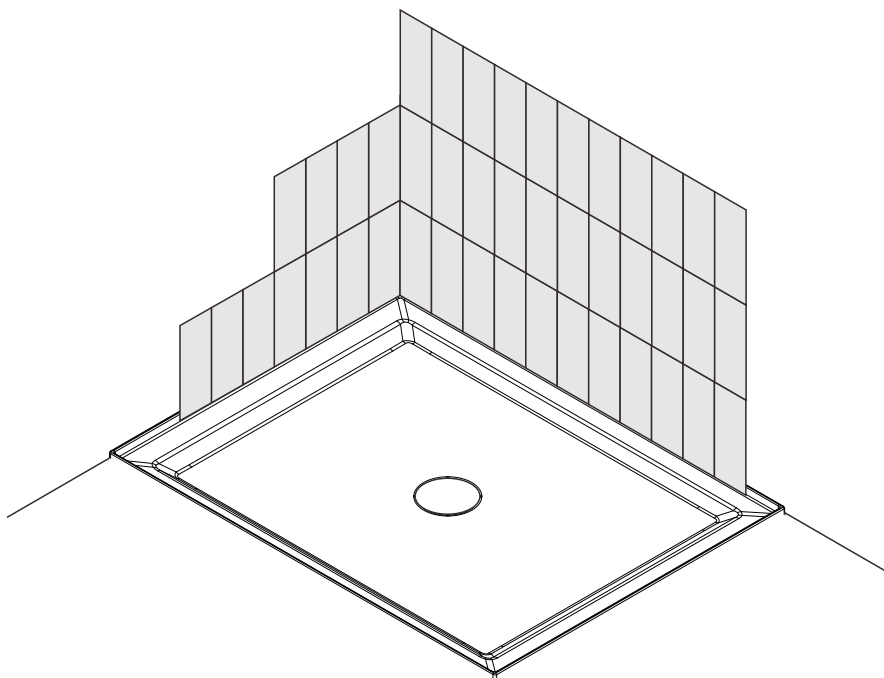
Test drainage by running water or rolling a small ball to check for proper flow and ensure no standing water remains.



6

3

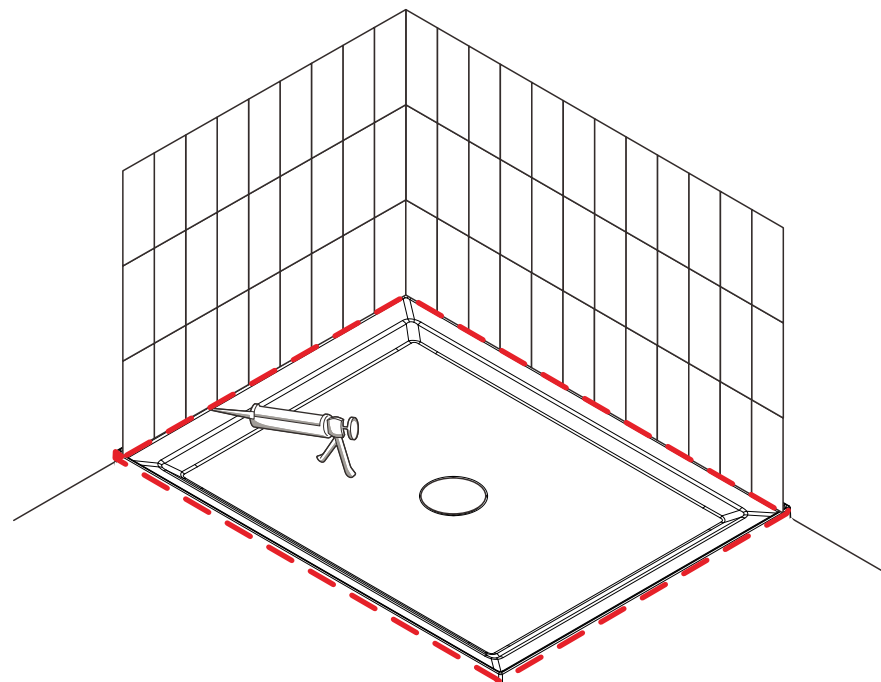
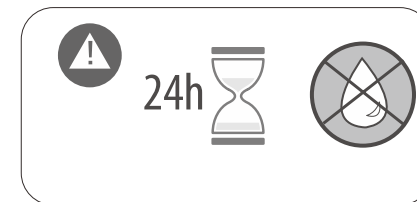
Install wall tiles over the shower pan edge, ensuring full overlap for waterproof sealing.



7

4

Dry the installed shower pan thoroughly, apply sealant along the edges, and allow 24 hours of curing time before use.



8