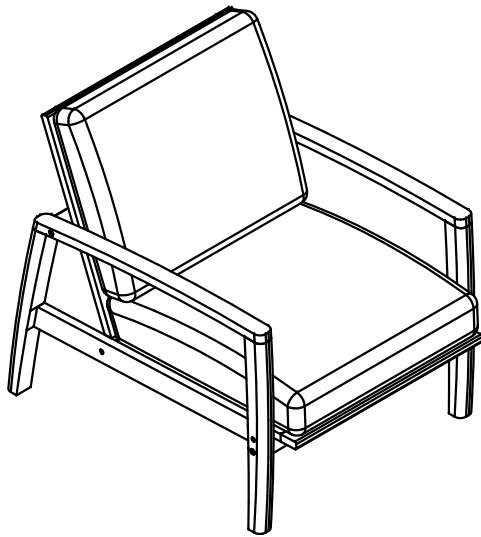


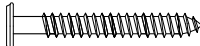

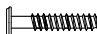


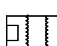

-LGR CHAIR

Thank you for purchasing the **CHAIR!** Before you start, here are some helpful advice:

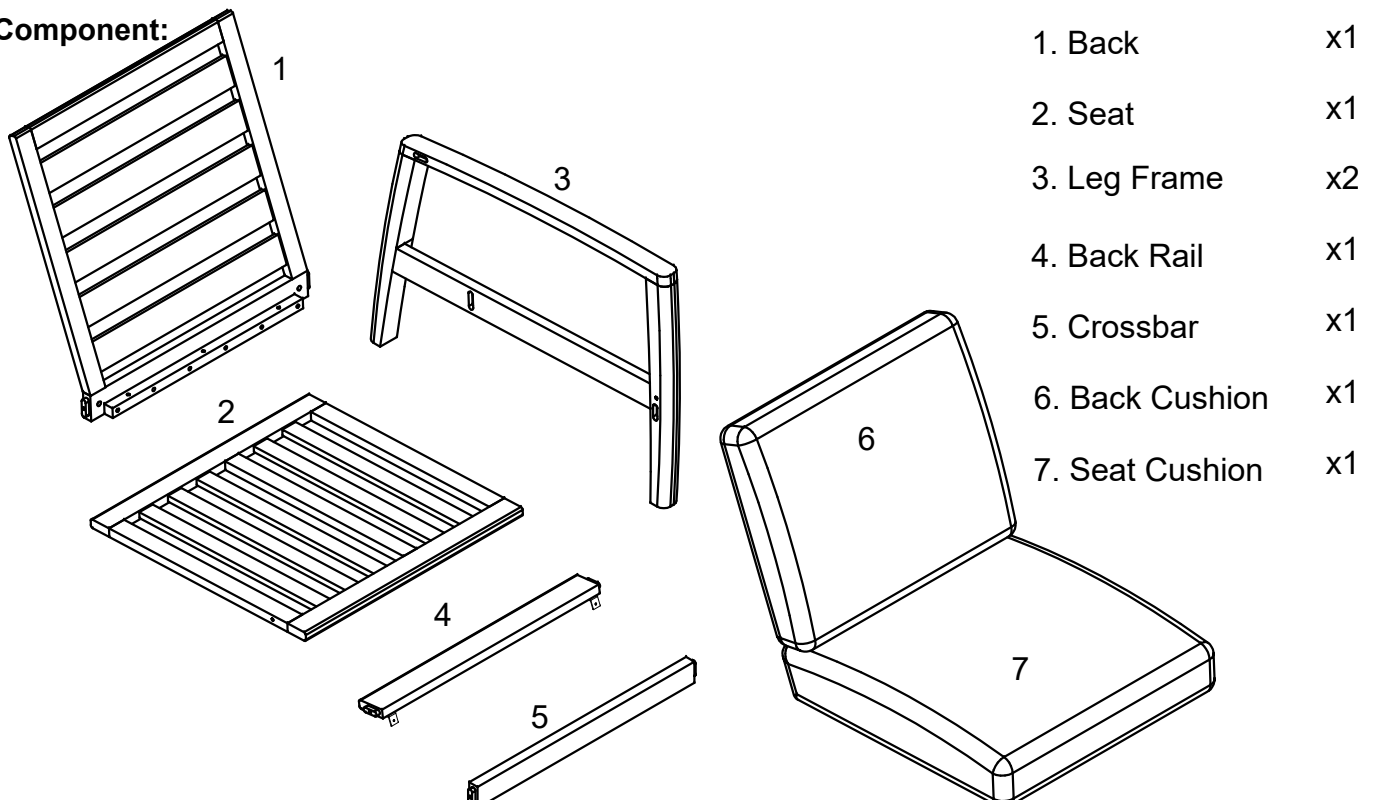
1. We suggest you spend a short time reading through this leaflet and then follow the simple step by step instructions.
2. Owing to the size and weight of the chair, we recommend that it is assembled by two adults, on a carpeted or padded area, in the room that it is intended for. Approximate assembly time: 30 minutes.
3. Please do not use any tools other than those provided or recommended in these instructions.
4. Please do not throw away any of the packaging or instructions until you have checked all the components and hardware and the furniture is fully assembled.
5. Assemble all components loosely until advised to tighten. Depending on use, it may be necessary to tighten the components from time to time, so please save the tools that have been provided.
6. Please keep all pieces out of reach of children.



Hardware:

A		Screw M6x70mm	x 2
B		Screw M6x40mm	x 2
C		Screw M4x15mm	x 2
D		Bolt M6x90mm	x 4
E		Bolt M6x70mm	x 2
F		Nut M6	x 6
G		Allen Wrench M4	x 2

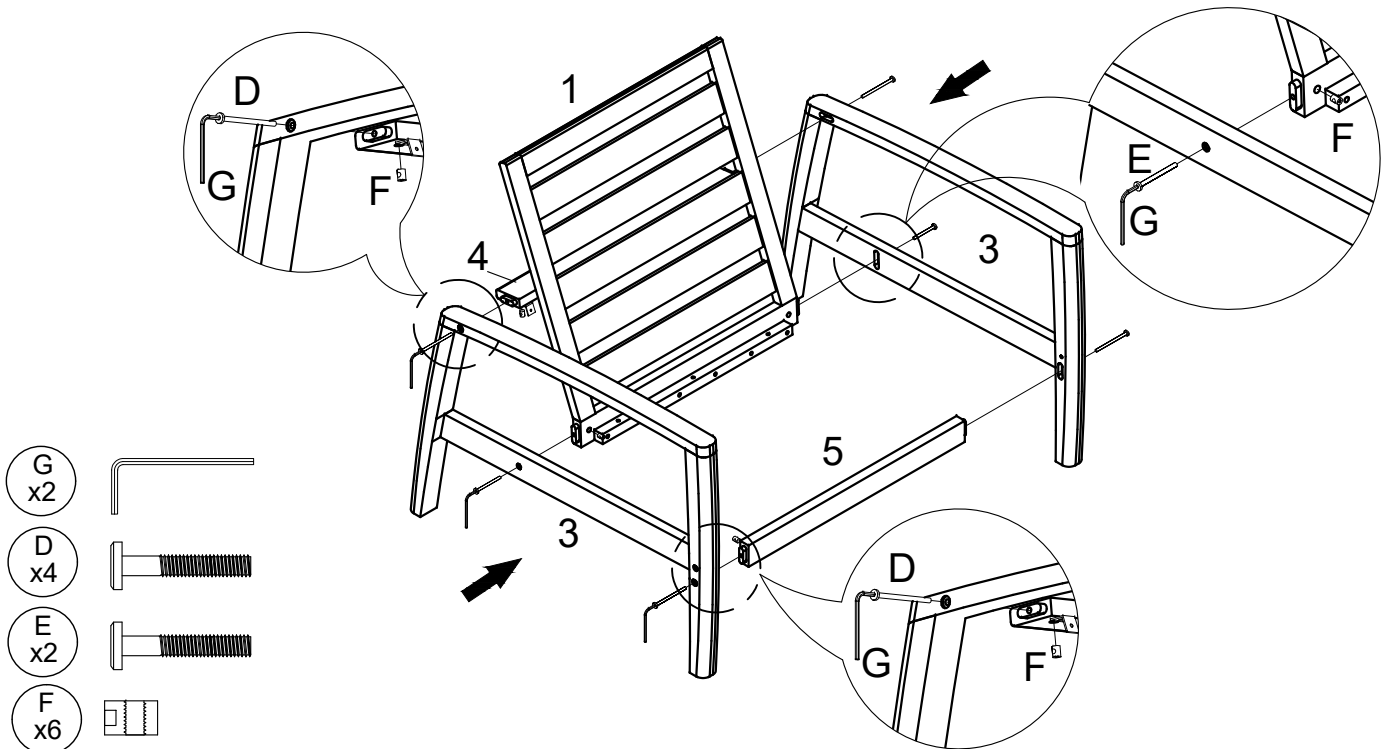
Component:



CHAIR

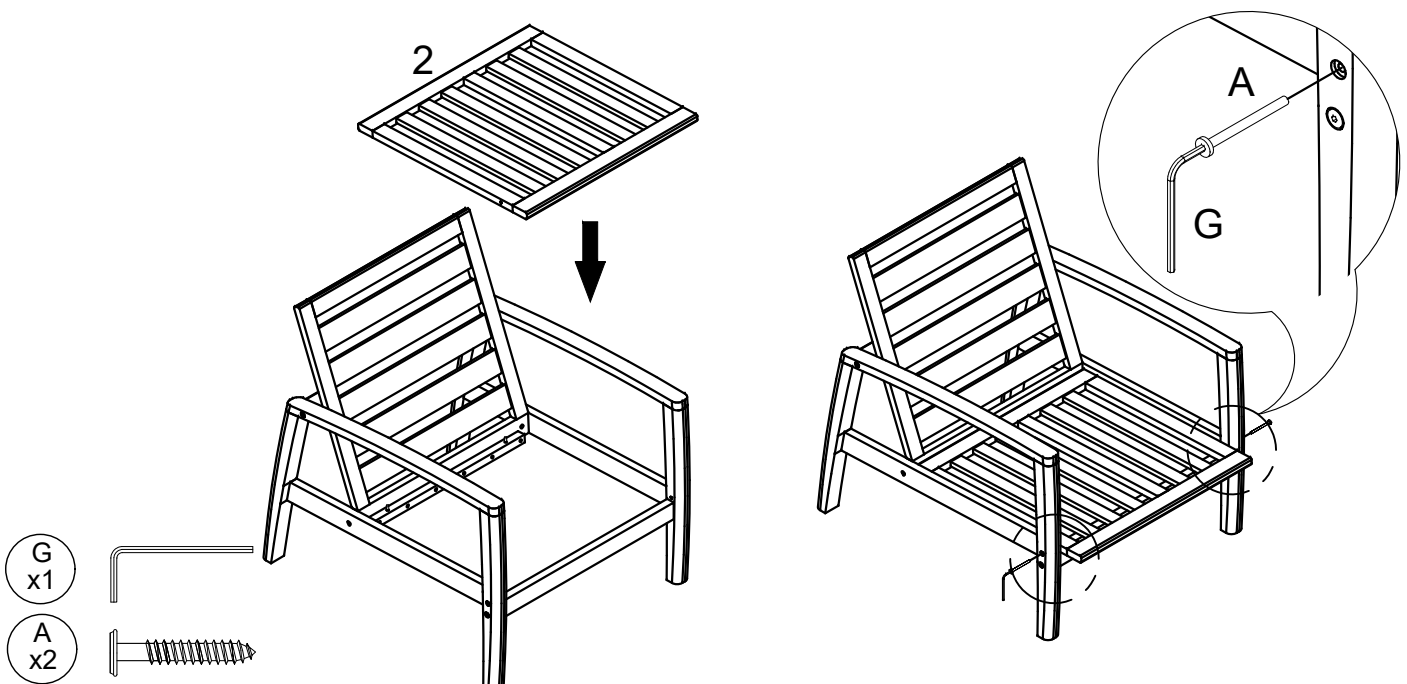
STEP 1:

Attach 1 piece of **Leg Frame (3)** to the **Back (1)**, **Back Rail (4)** and **Crossbar (5)** as shown. Then insert 2 pieces of **Bolts (D)** and 1 piece of **Bolt (E)** through **Back (3)** into **Leg Frame (3)**. Use **Allen Wrench (G)** to tighten **Bolts (D&E)**. Repeat the same steps for the remaining **Leg Frame (3)**.



STEP 2:

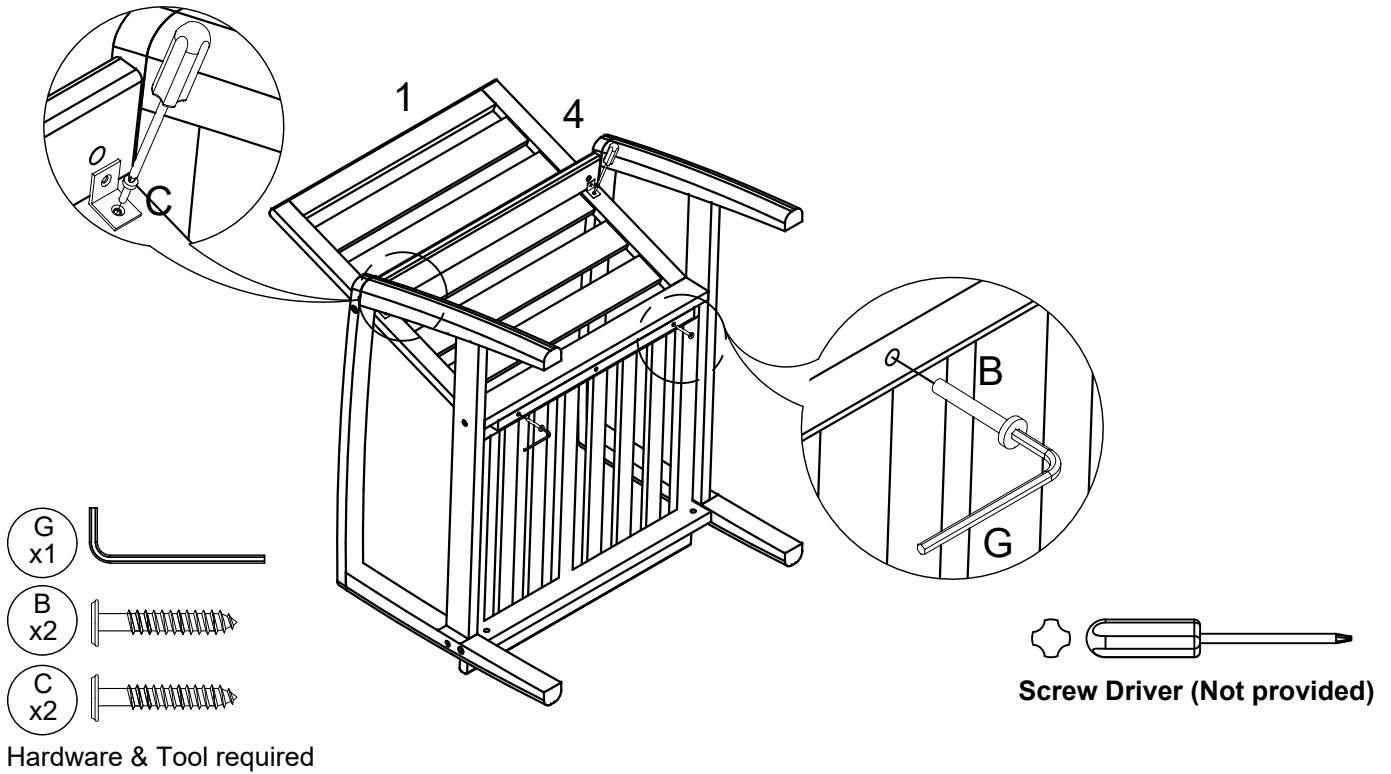
Attach **Seat (2)** to **Legs Frame (3)** and **Back (1)** as shown. Then insert 2 pieces of **Screws (A)** through **Seat (2)** into **Legs Frame (3)**. Use **Allen Wrench (G)** to tighten **Screws (A)**.



CHAIR

STEP 3:

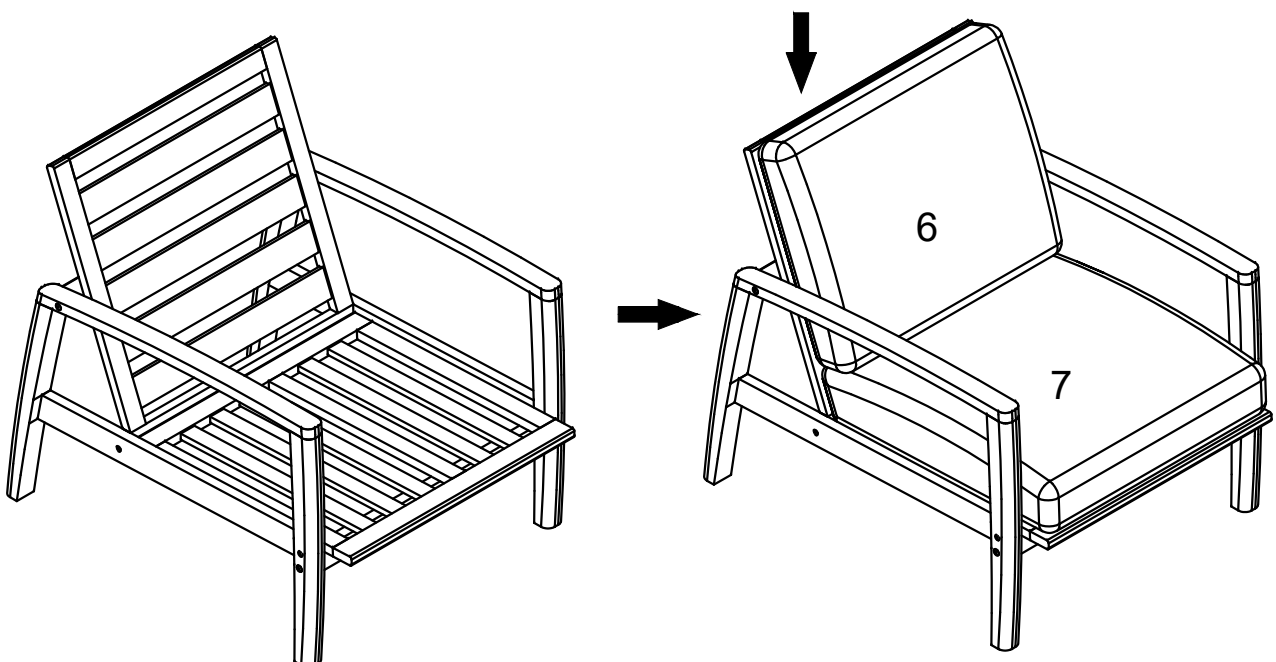
Insert 2 pieces of **Screws (C)** through **Back Rail (4)** into **Back (1)**. Tighten with **Screw Driver (Not provided)**.
Insert 2 pieces of **Screws (B)** through **Seat (2)** into **Back (1)**. Tighten with **Allen Wrench (G)**.



STEP 4:

Carefully position the assembled chair to the desired location.

Put 1 piece of the **Back Cushion (6)** and 1 piece of the **Seat Cushion (7)** into the assembled chair as shown.



Assembly is complete. Your chair is ready to be used now!