
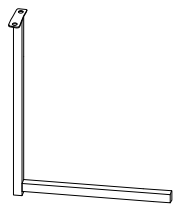
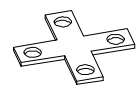
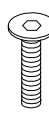
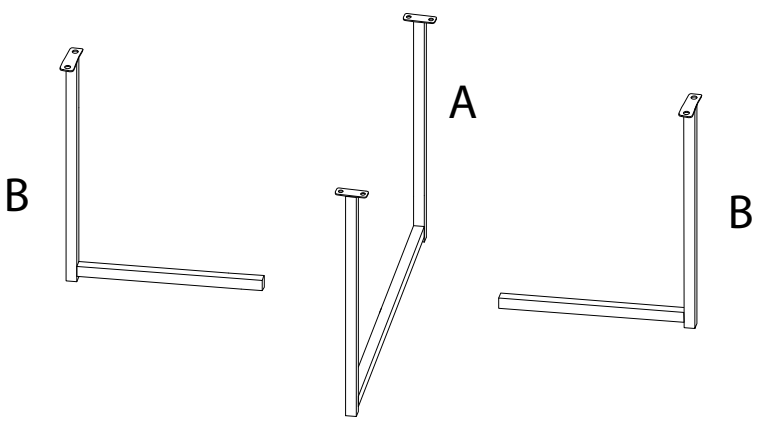
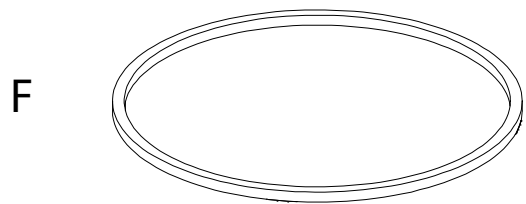
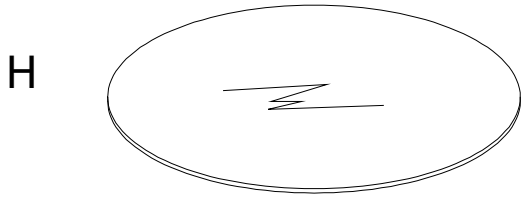
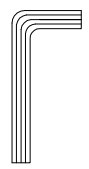
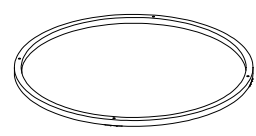




Diagram illustrating safety instructions for table assembly:

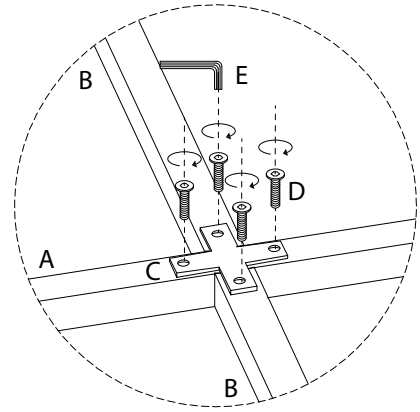
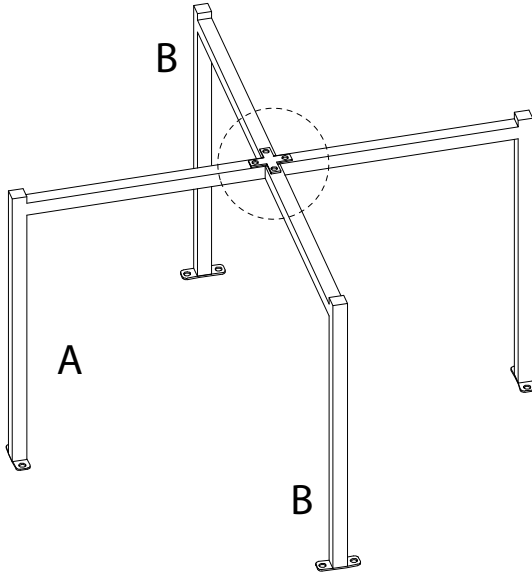
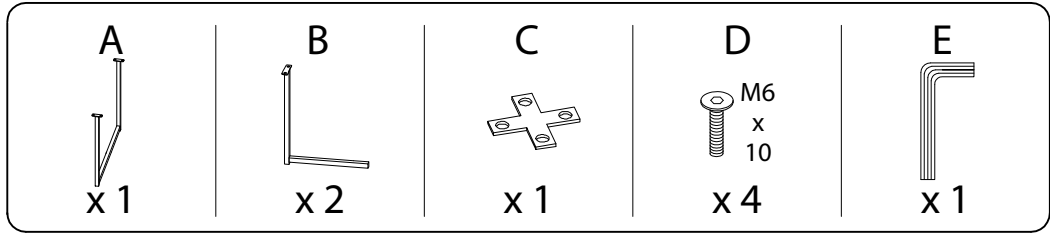
- Top Section:** Shows a warning symbol (exclamation mark in a triangle) next to a circular icon containing an L-shaped metal bracket and a crossed-out power drill. To the right is a clock icon with the text **30'** below it.
- Bottom Section:** Shows a warning symbol (exclamation mark in a triangle) next to a circular icon containing a rectangular block on a base with a crossed-out screwdriver. To the right is a person icon with the text **1** below it.

<p><b>A</b></p>  <p><b>x 1</b></p>	<p><b>B</b></p>  <p><b>x 2</b></p>	<p><b>C</b></p>  <p><b>x 1</b></p>	<p><b>D</b></p>  <p>M6 x 10</p> <p><b>x 12</b></p>
---	---	--	---

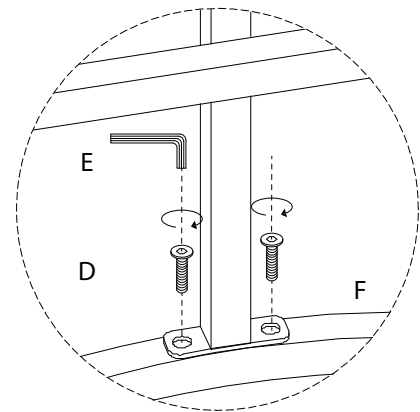
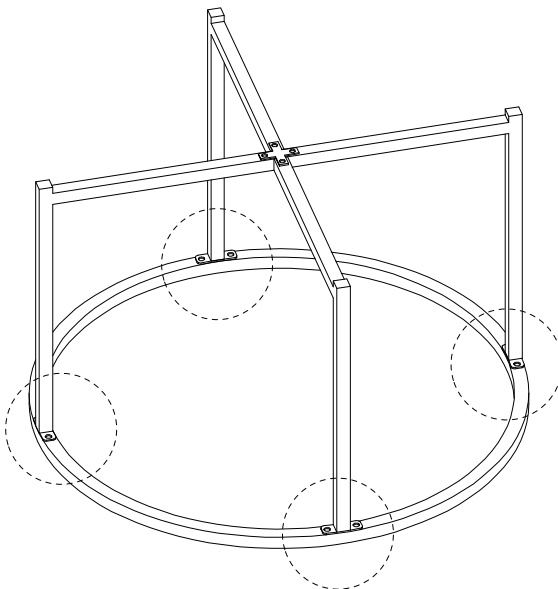
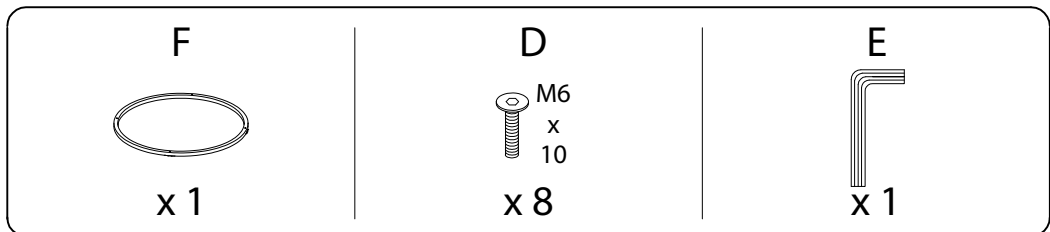


<p><b>E</b></p>  <p><b>x 1</b></p>	<p><b>F</b></p>  <p><b>x 1</b></p>	<p><b>G</b></p>  <p><b>x 4</b></p>	<p><b>H</b></p>  <p><b>x 1</b></p>
---	---	--	---

1



2

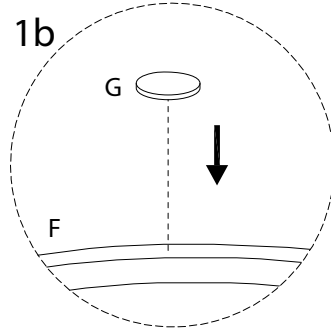
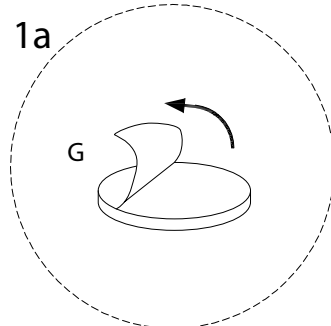
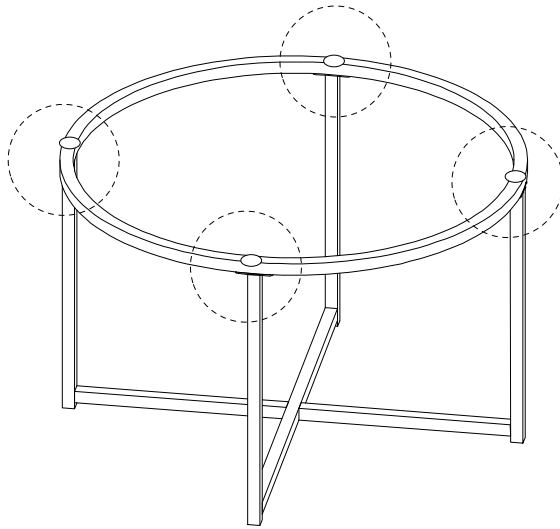


3

G



x 4



4

H



x 1

