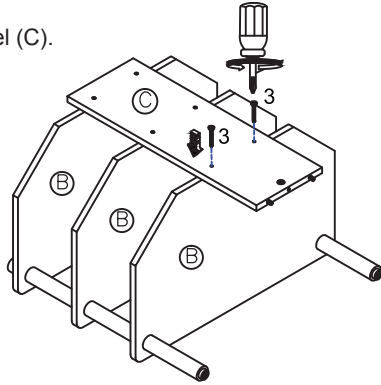


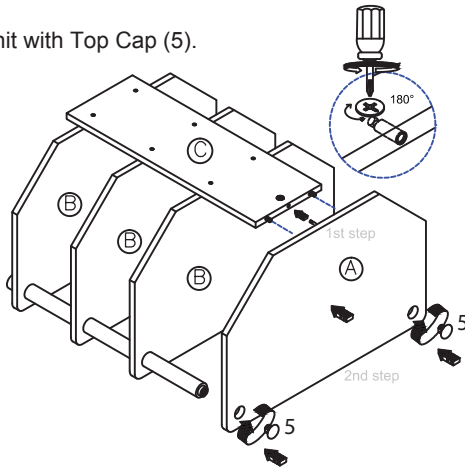
STEP 6

Install another two of Screw (3) on the Back Panel (C).

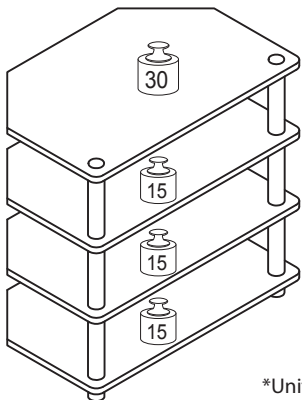


STEP 7

Attach Top Panel (A) to the assembled unit with Top Cap (5) and lock with mini fix cam (2) as shown.



Recommended Maximum Weight



*Unit in Pound(lbs)

WARNING:

>This unit has been designed to support the maximum loads shown. Exceeding these load limits could cause sagging, instability, product collapse, and/or serious injury.

>DO NOT allow children to climb on unit.

>Put heavier items on lower shelves.

Assembly Instruction

Easy Assembly 3-Tier Petite TV Stand

00:20

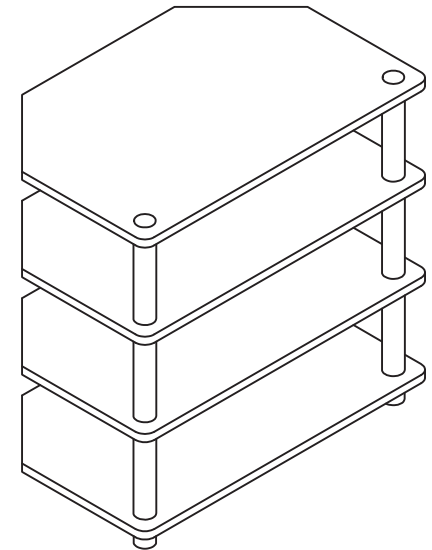
Approx. 20 minutes



Recomm. 1 Person

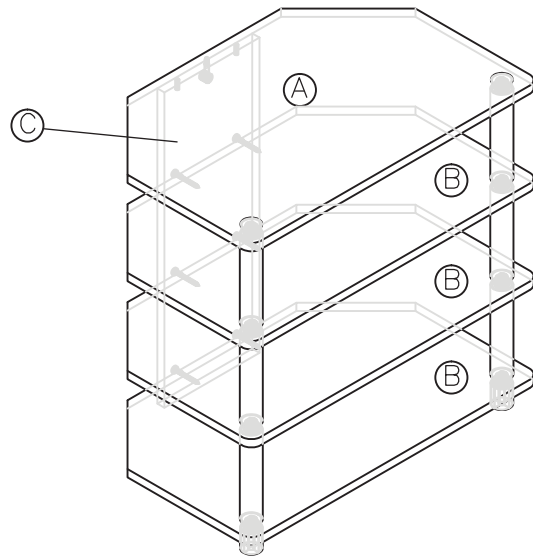


Tool Required



No	Hardware List	Qty
1	Mini Fix Bolt	1pc
2	Mini Fix Cam	1pc
3	Screw	6pcs
4	Short Round Pole	6pcs
5	Top Cap	2pcs
6	Round Leg	2pcs
7	Dowel	2pcs

No	Parts List	Qty
A	Top Panel	1pc
B	Shelf / Bottom Panel	3pcs
C	Back Panel	1pc

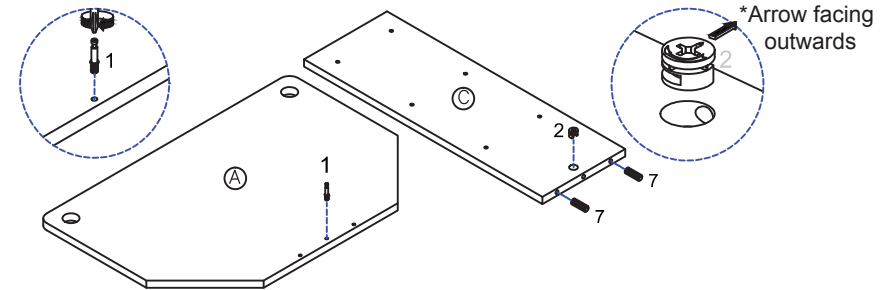


USEFUL HINTS BEFORE YOU START:

1. Read each step carefully before starting.
2. It is important that each step is performed in correct order to avoid difficulties.
3. Identify, sort and count the parts before assembly.
4. Assemble your furniture on packaging cardboard to prevent scratch or damage.
5. Clean the product with mild cleanser using soft damped cloth. Do not use harsh or abrasive cleanser.
6. Using incompatible hardware might cause damage to product.

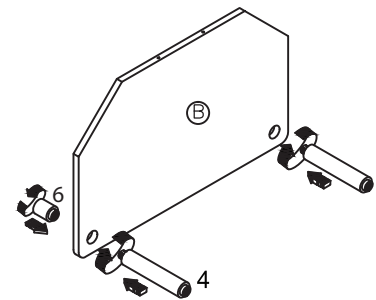
STEP 1

- 1.1 Insert Mini Fix Bolt (1) to Panel (A).
- 1.2 Insert Mini Fix Cam (2) and Dowel (7) to Panel (C), as shown.



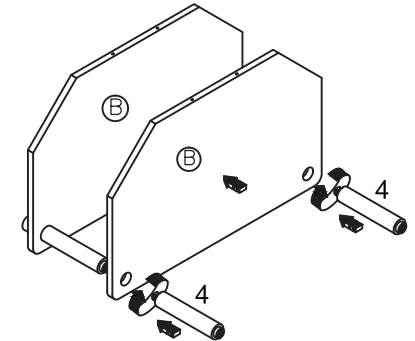
STEP 2

Attach Short Round Pole (4) and Round Leg (6) with Shelf Panel (B), as shown.



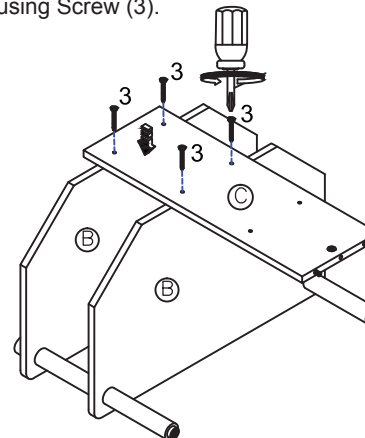
STEP 3

Attach another Shelf Panel (B) with Short Round Pole (4), as shown.



STEP 4

Install Back Panel (C) to the back of assembled unit using Screw (3).



STEP 5

Repeat Step 3 with Shelf Panel (B) and Short Round Pole (4).

