

Clamp-on Cat Bed

LF-CCB1

Assembly Manual



WARNING



If you do not understand these directions, or if you have any doubts about the safety of the installation, please contact our product support team at 309-278-5303 ex. 1 or help@life-finds.com for further assistance. Check carefully to make sure there are no missing or defective parts. Failure to report missing parts within 30 days may result in denial of free replacement. Improper installation may cause damage or serious injury. Do not use this product for any purpose that is not explicitly specified in this manual. Do not exceed weight capacity. We cannot be liable for damage or injury caused by improper mounting, incorrect assembly or inappropriate use.



WARNING: CHOKING HAZARD

SMALL PARTS - NOT FOR CHILDREN UNDER 3 YEARS. ADULT SUPERVISION IS REQUIRED.



DO NOT EXCEED WEIGHT CAPACITY

FAILURE TO DO SO MAY RESULT IN SERIOUS INJURY.

Need Help? We're Here For You

US-Based Customer Support from Trained Professionals

Monday-Friday from 7am-7pm CST

Saturday 8am-4pm CST



Email Us

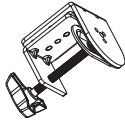
help@life-finds.com



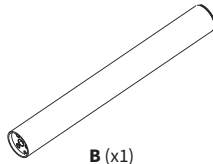
Give Us a Call

309-278-5303 ext. 1

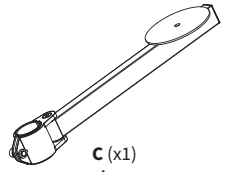
Package Contents



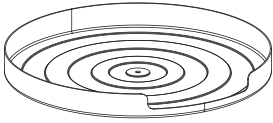
A (x1)
Clamp



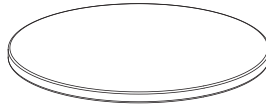
B (x1)
Pole



C (x1)
Arm



D (x1)
Tray



E (x1)
Pad



F (x1)
Cable Clip



G (x1)
Knob



H (x1)
Plastic
Bushing

Included Hardware & Tools



S-A (x1)
M8x60mm
Screw



S-B (x3)
M6x16mm
Screw



T-A (x1)
5mm Allen
Wrench



T-B (x1)
3mm Allen
Wrench

Weight Capacity:



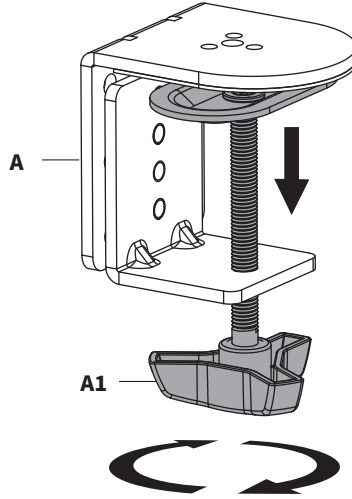
Assembly Steps

STEP 1

Loosen the Clamp Bolt (**A1**) on Clamp (**A**).

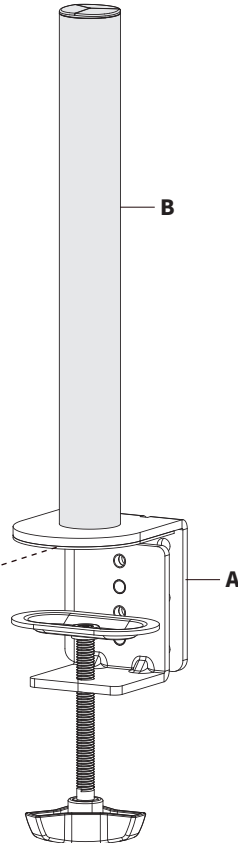
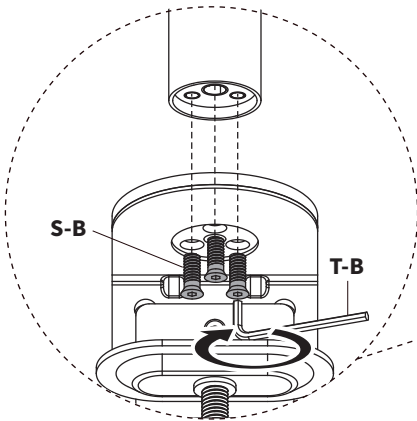


Clamp fits on **0.4-2.76"**(10-70mm)
thick mounting surface.



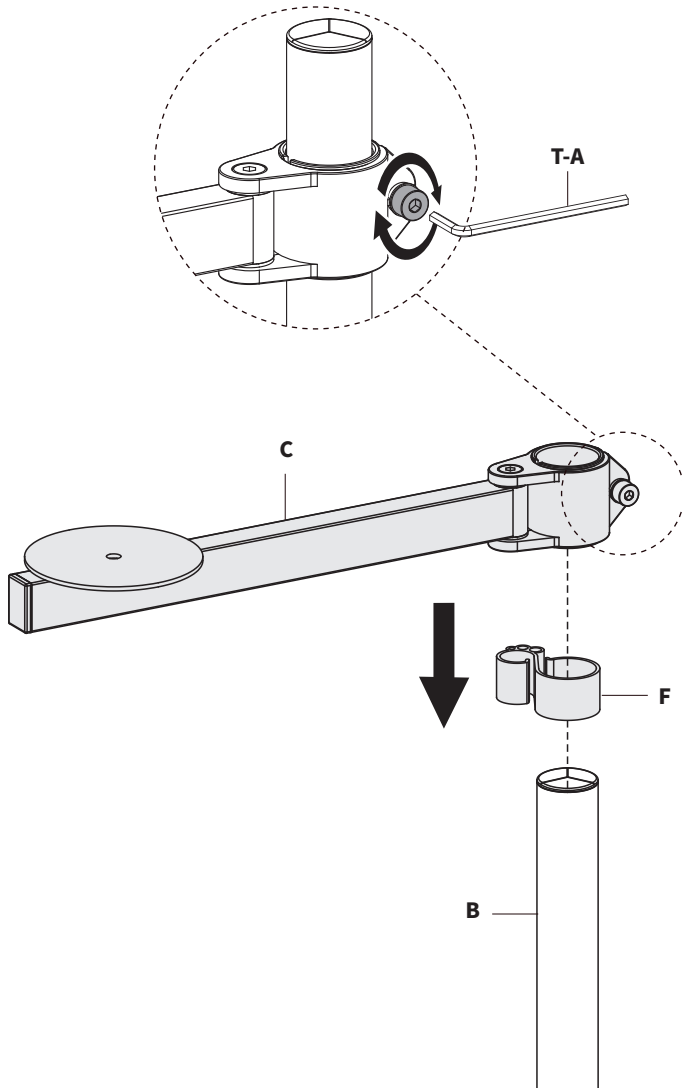
STEP 2

Attach Pole (**B**) to Clamp (**A**) using M6x16mm
Screws (**S-B**) and 3mm Allen Wrench (**T-B**).



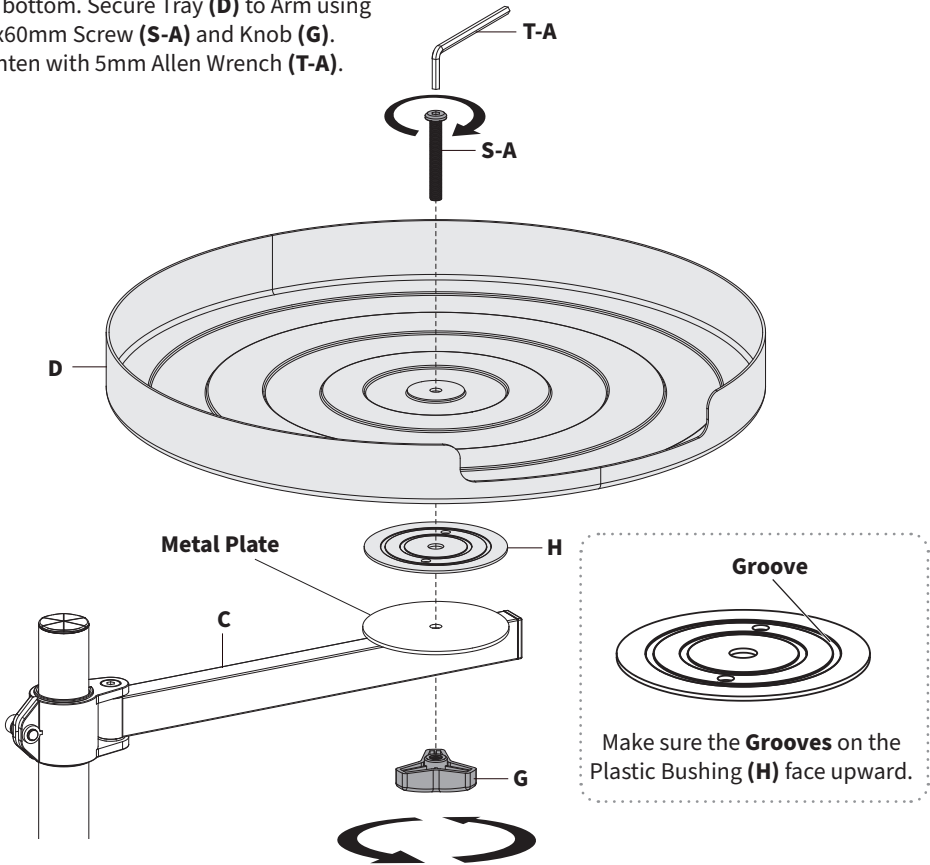
STEP 3

Slide Cable Clip (**F**) and Arm (**C**) onto Pole (**B**) at the desired height. Tighten Arm using 5mm Allen Wrench (**T-A**).



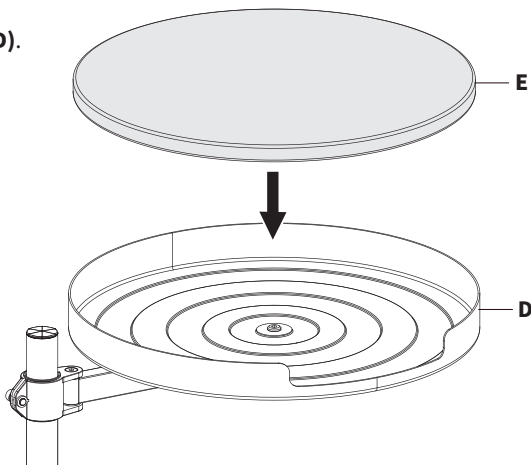
STEP 4

Center Plastic Bushing (**H**) on the **Metal Plate** on Arm (**C**) with the flat side on the bottom. Secure Tray (**D**) to Arm using M8x60mm Screw (**S-A**) and Knob (**G**). Tighten with 5mm Allen Wrench (**T-A**).



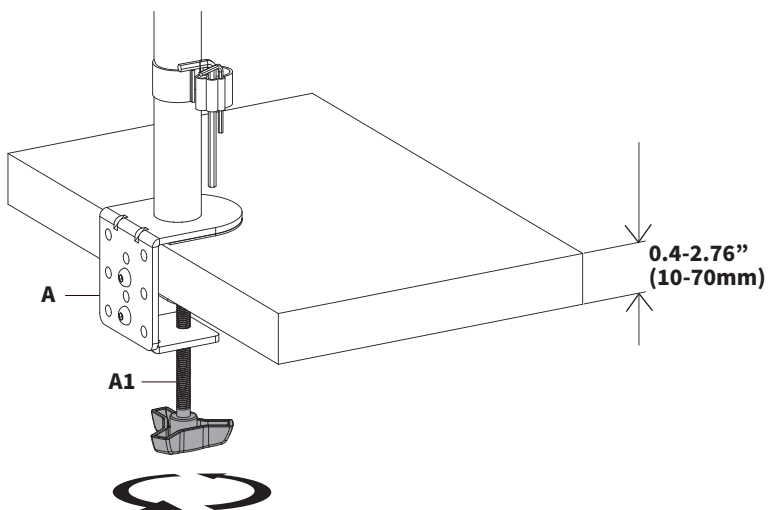
STEP 5

Place Pad (**E**) onto Tray (**D**).



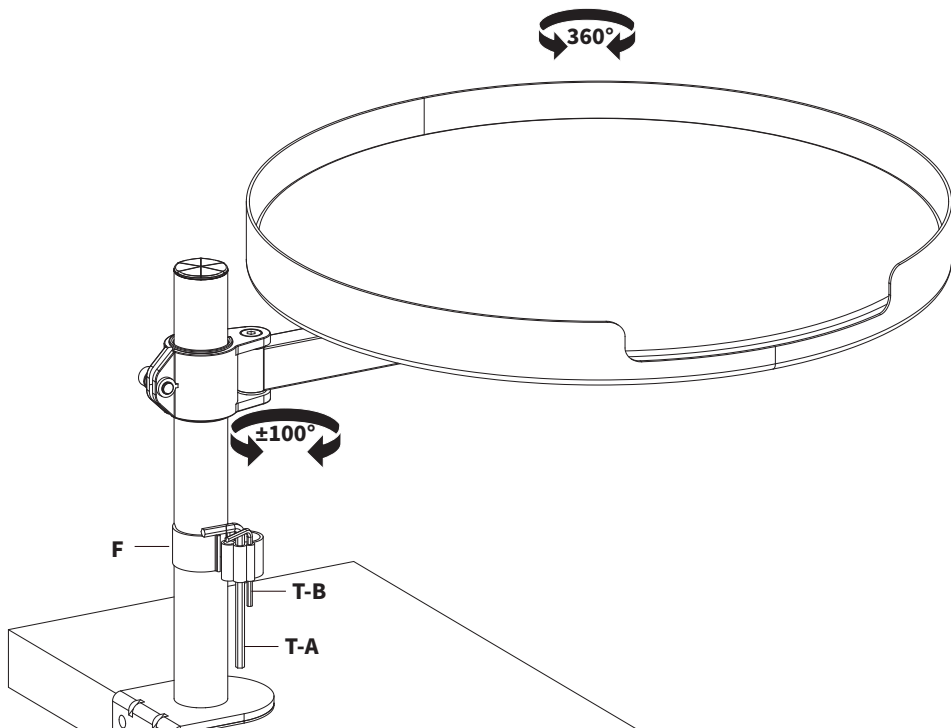
STEP 6

Attach Clamp (A) to mounting surface by turning the Clamp Bolt (A1).



STEP 7

Adjust as desired. Store Allen Wrenches (T-A, T-B) in Cable Clip (F).





Need Help? **We're Here For You**

Monday-Friday from 7am-7pm CST

Saturday 8am-4pm CST



Email Us

help@life-finds.com



Give Us a Call

309-278-5303 ext. 1