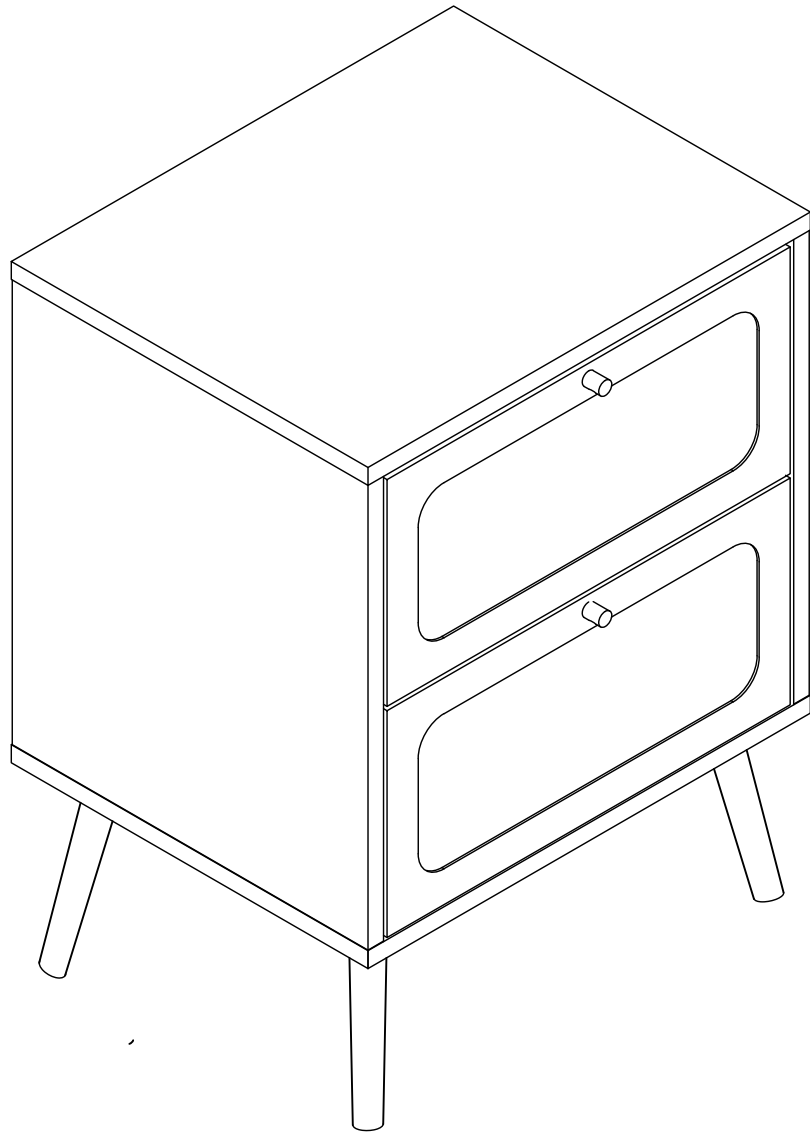


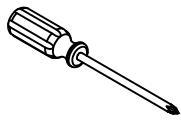
Installation Instruction



Assembling

What you need

- Use the packaging carton as a working surface to prevent product damage during assembly
- Phillips head screwdriver



Weight Limitation

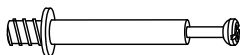


What' included

Code Description	Qty
A Cam Bolt M6X35MM	12
B Cam Lock 15X10MM	12
C Wooden Dowel M6X30MM	8
D Screw M4X40MM	12
E Screw M4X18MM	2
F Shake hands	2
G Plastic Angle code	8
H Screw M3.0X12MM	24
I Hole position sticker	12
J Mats	4
K Five hole iron sheet	4
L Screw M3.5X12MM	20
CL Left mother extended orbit	2
CR Right mother extended orbit	2
DL Left public extension track	2
DR Right public extends track	2

The Hardwares

A



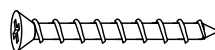
B



C



D



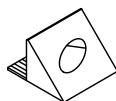
E



F



G



H



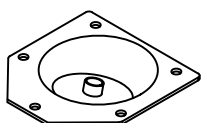
I



J



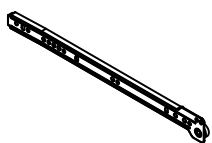
K



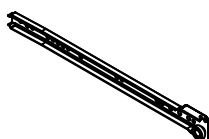
L



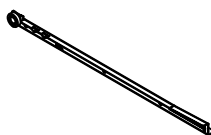
CL



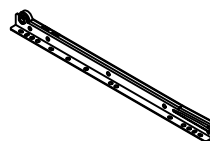
CR



DL



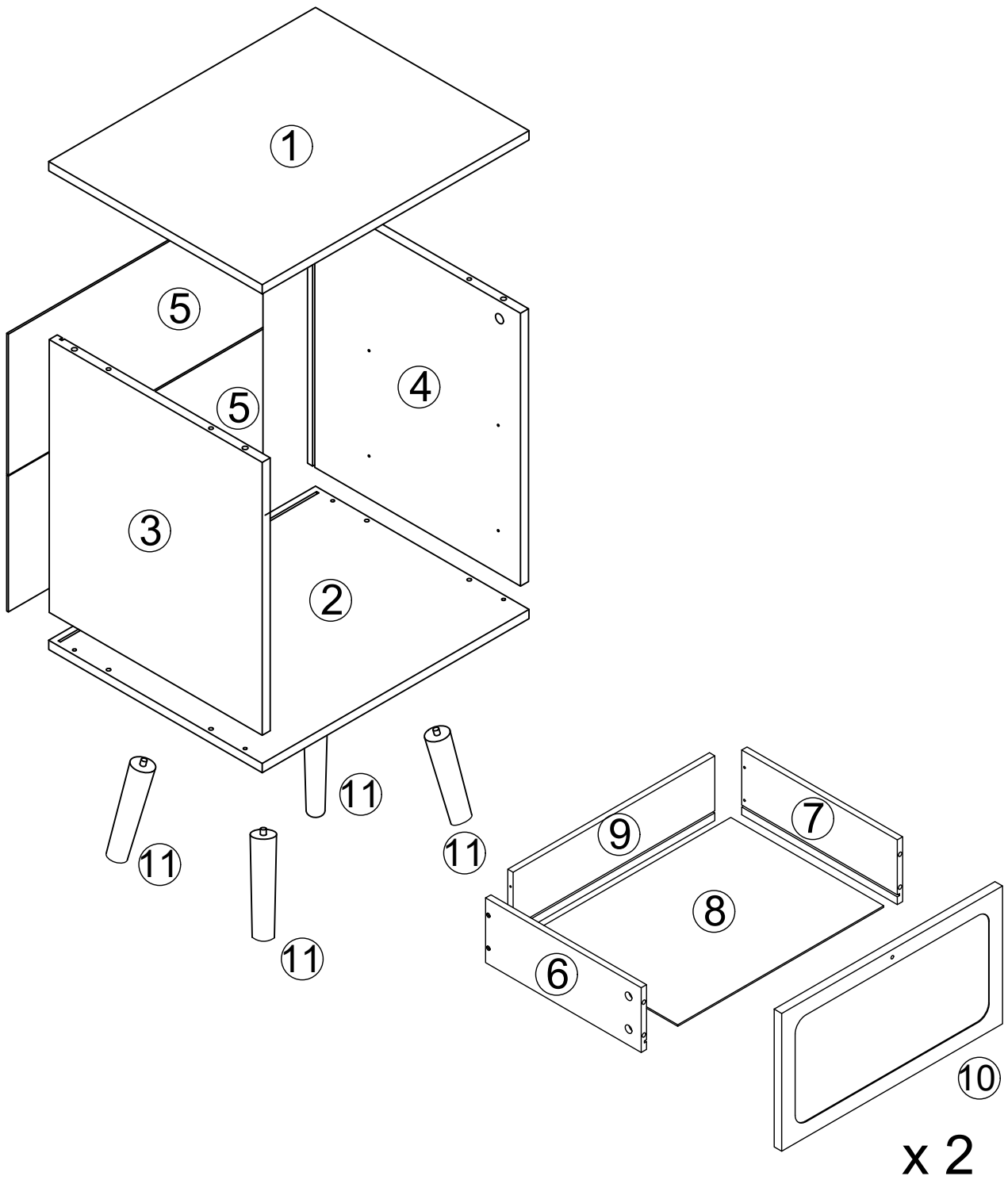
DR



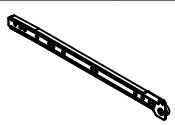
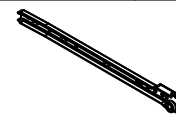
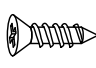
Included Accessories

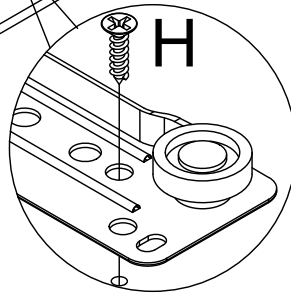
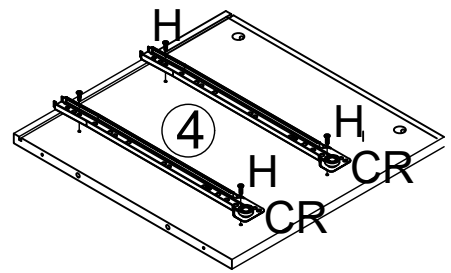
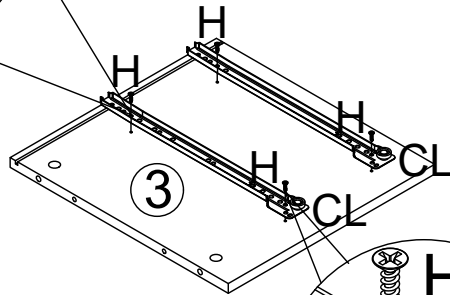
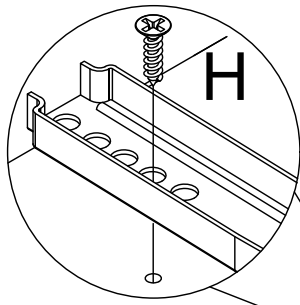
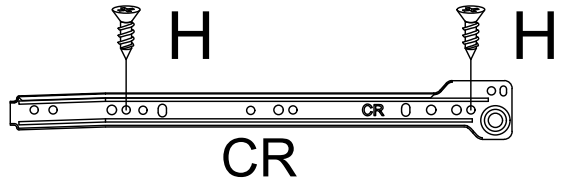
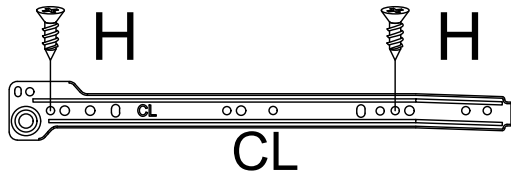
Code	Description	Qty
1	Cabinet Top	1
2	Bottom Panel	1
3	Left Side Panel	1
4	Right Side Panel	1
5	Back Panel	2
6	Drawer left panel	1
7	Drawer right side panel	1
8	The drawer bottom	1
9	After the drawer board	1
10	The drawer face	1
11	Solid wood feet	4

The Accessoriess

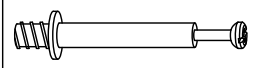


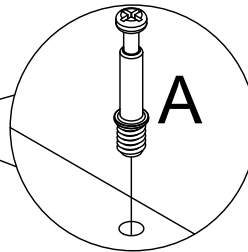
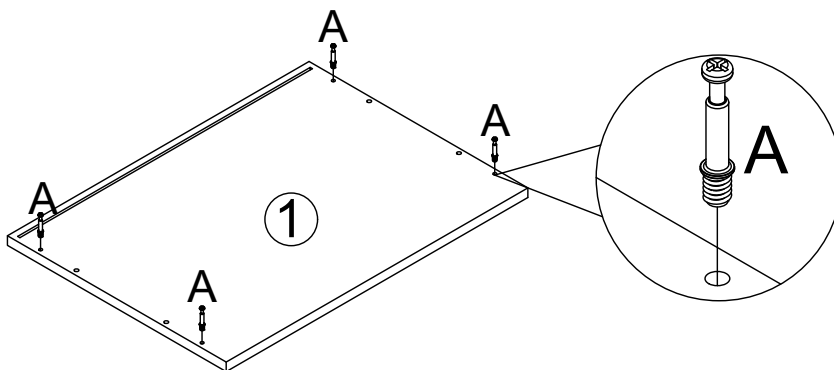
Step 1

CL	x 2	CR	x 2	H	x 8
					

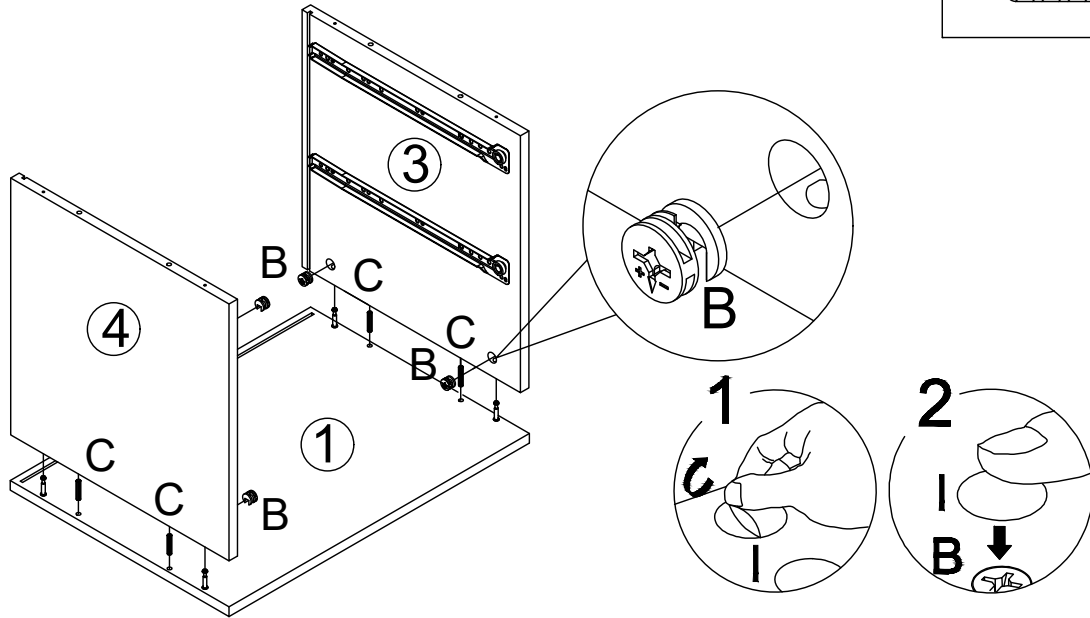
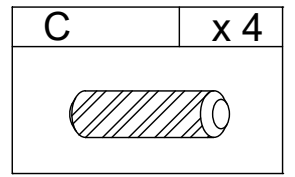
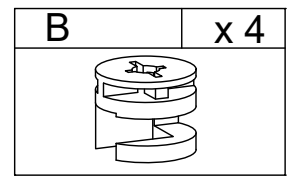
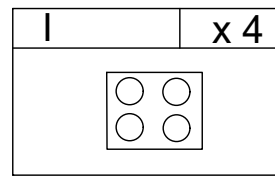


Step 2

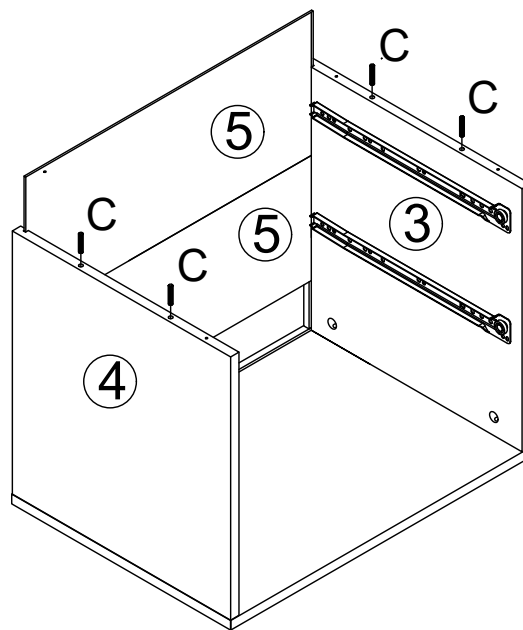
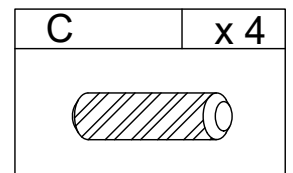
A	x 4
	



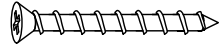
Step 3

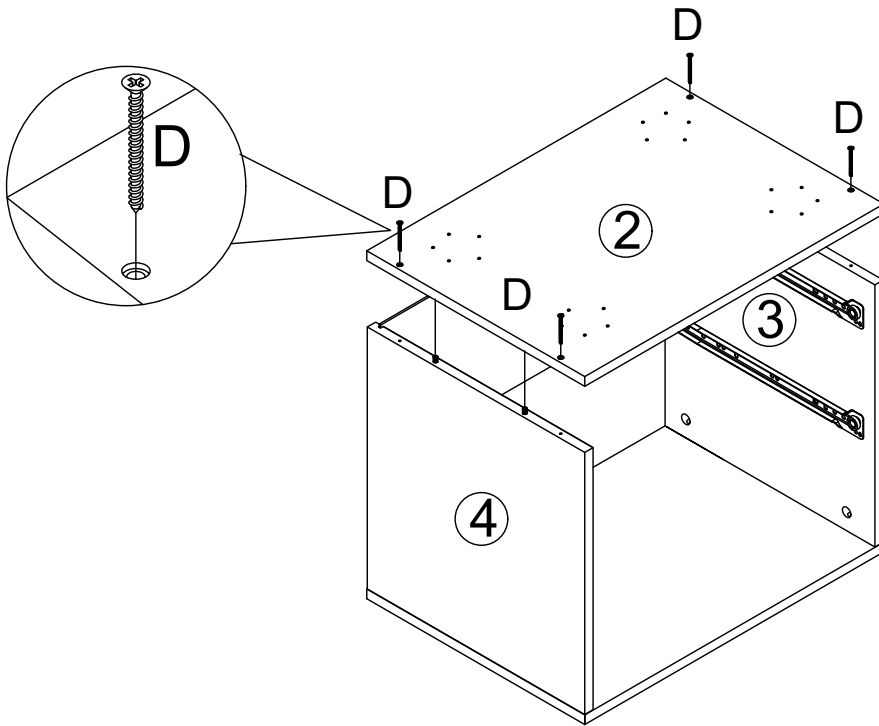


Step 4




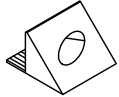
Step 5

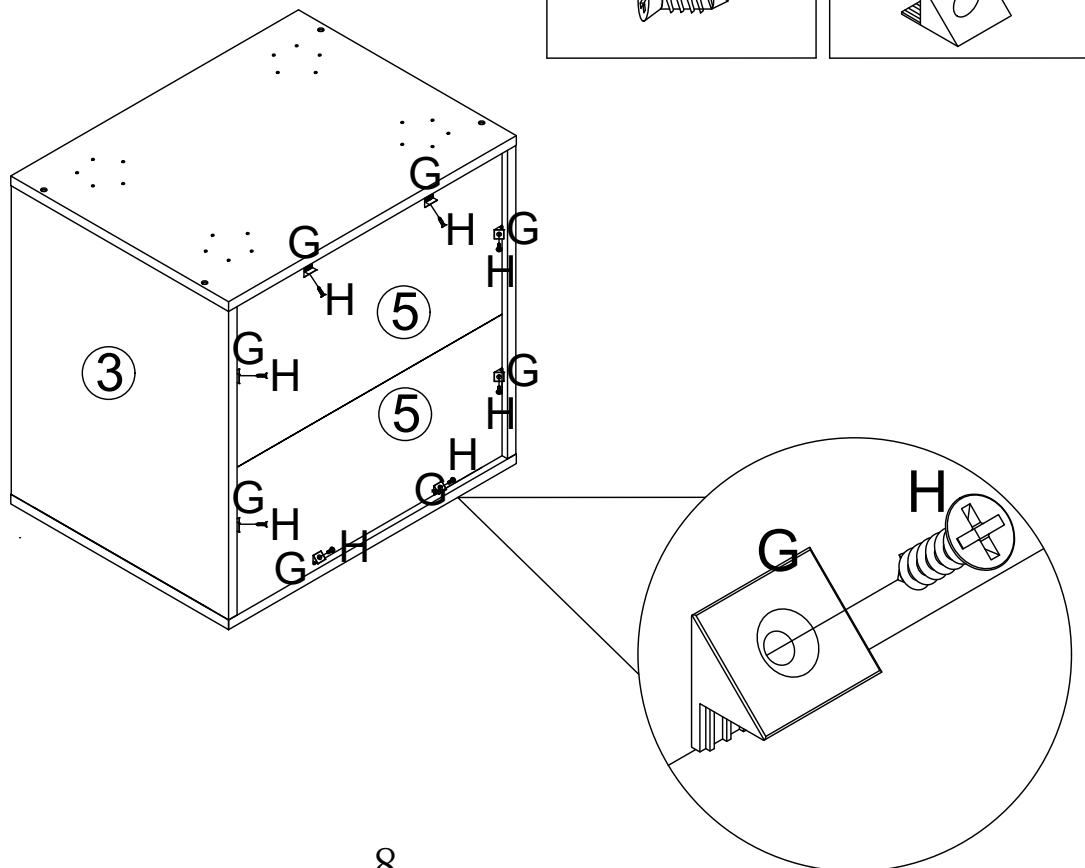
D	x 4
	



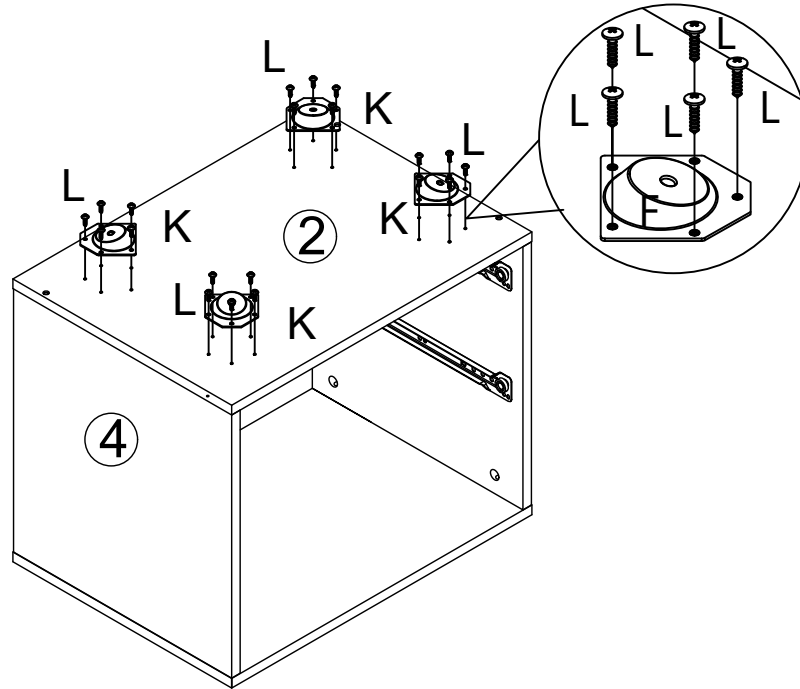
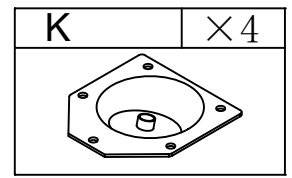
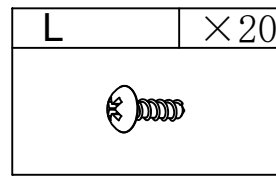
Step 6

H	x 8
	

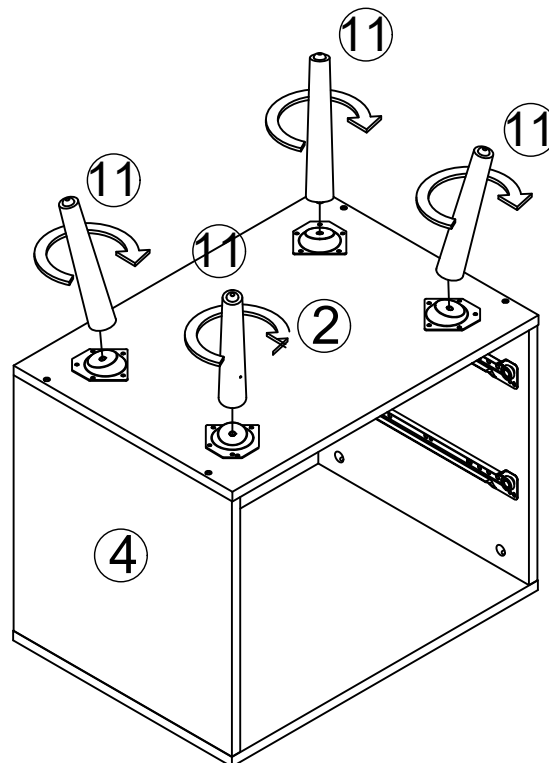
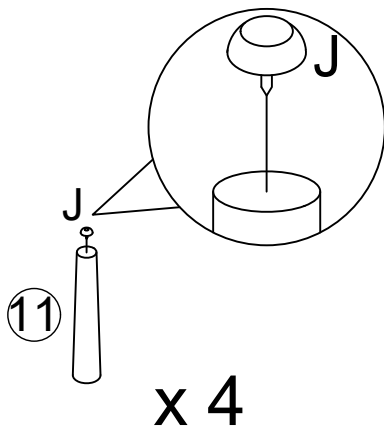
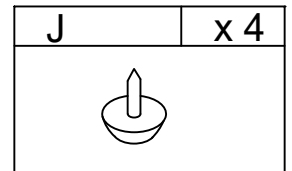
G	x 8
	



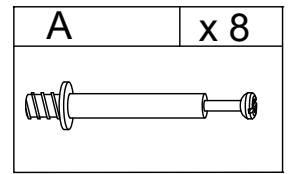
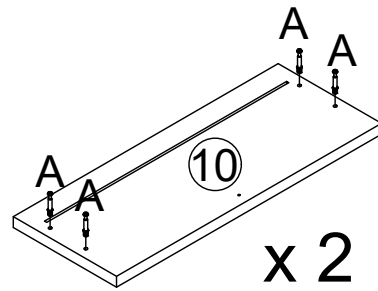
Step 7



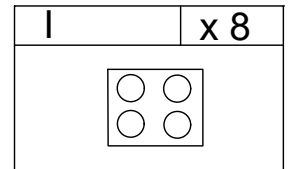
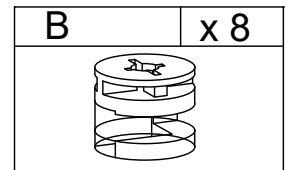
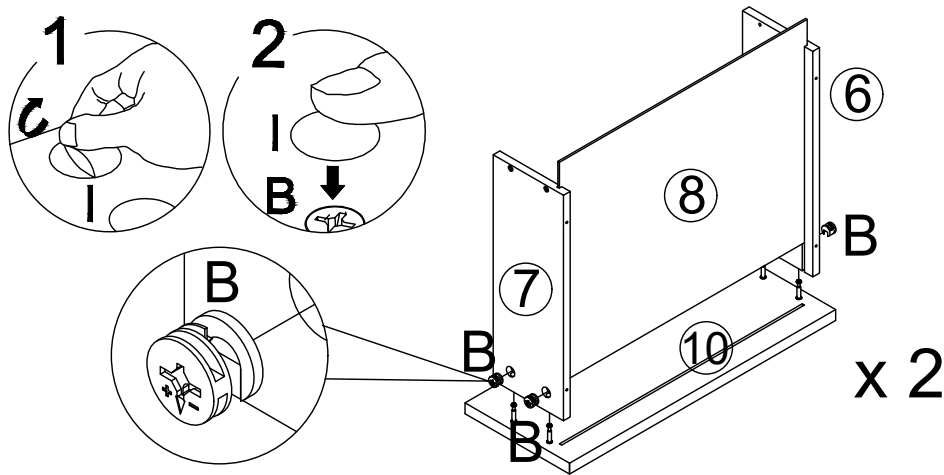
Step 8



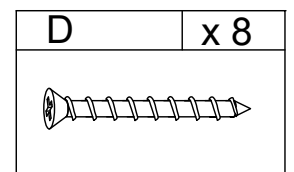
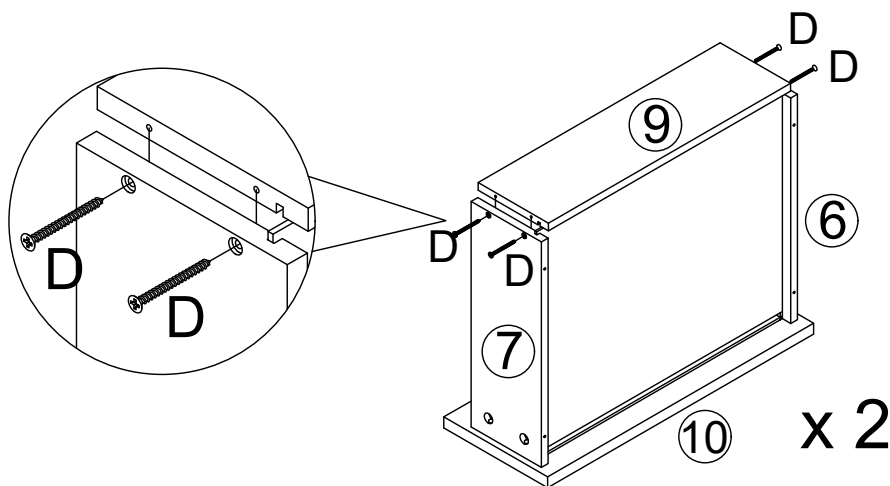
Step 9



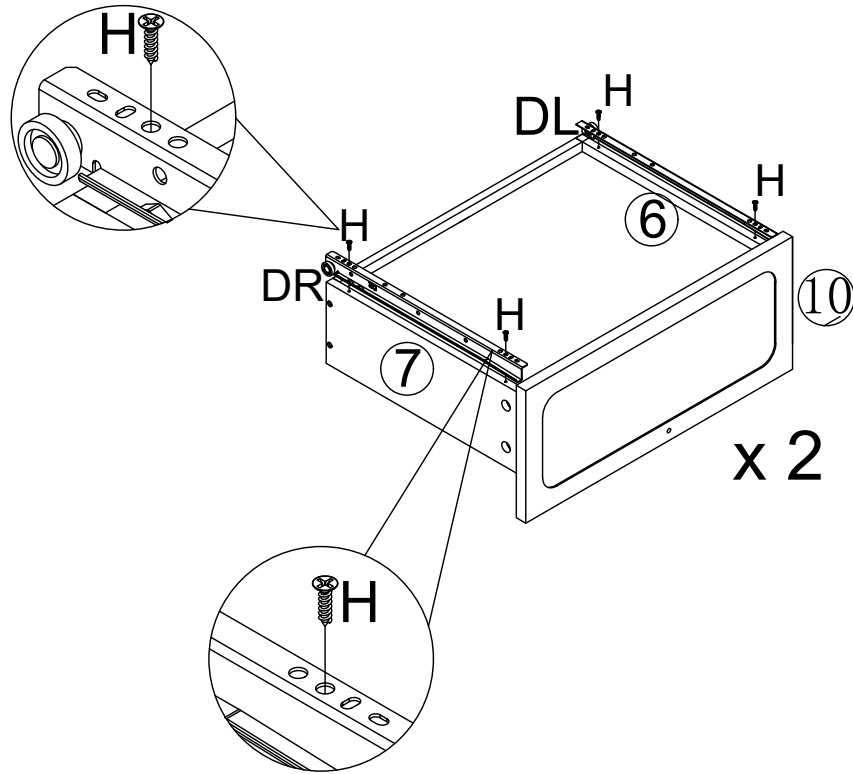
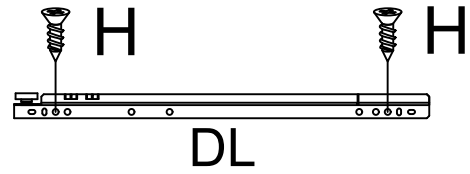
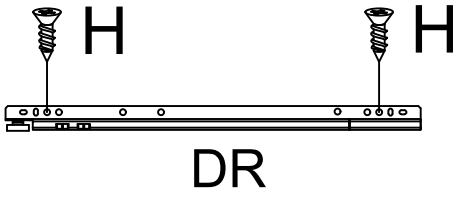
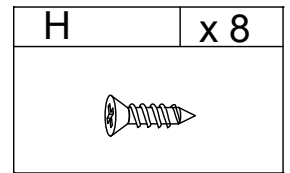
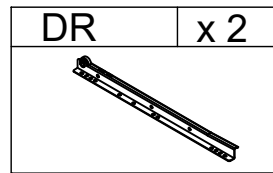
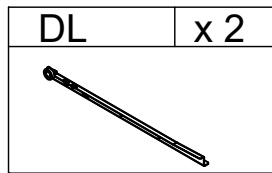
Step 10



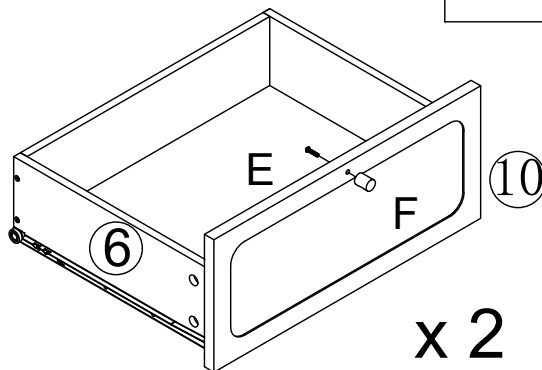
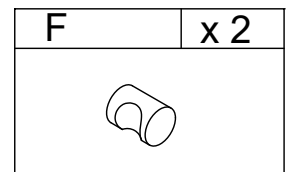
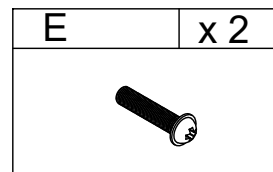
Step 11



Step 12



Step 13



Step 14

