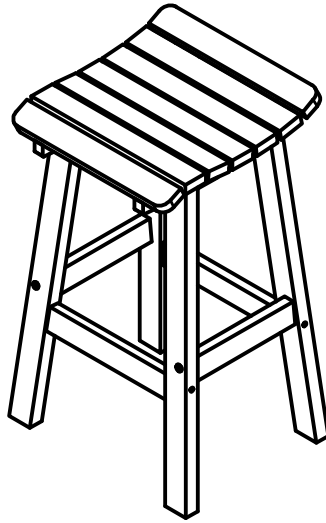


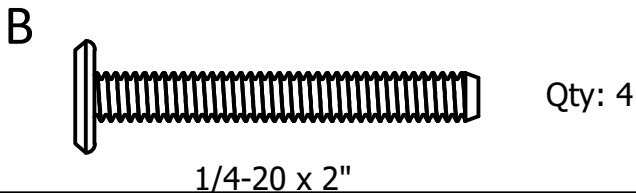
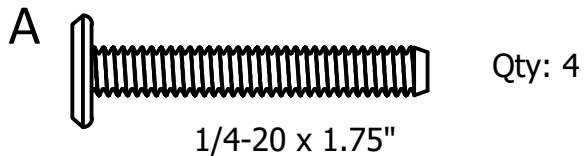
Bar Stool

Assembly Guide



*Actual Style May Vary from the One Pictured in this Guide

HARDWARE INCLUDED

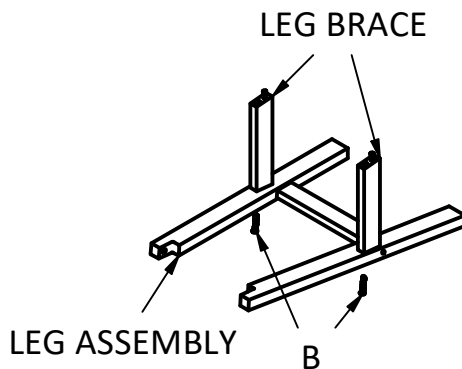


TOOLS INCLUDED



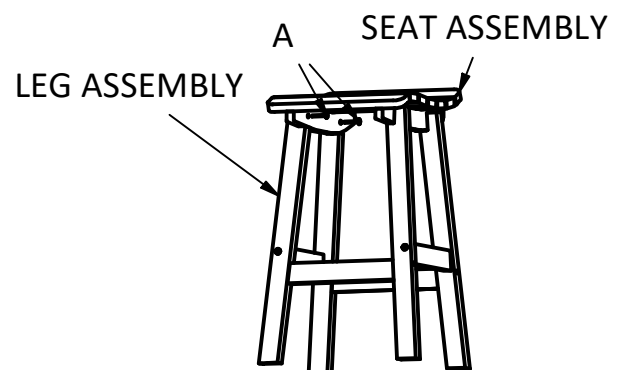
IMPORTANT!

DO NOT fully tighten bolts until all bolts are started.



1) Attach the 2 Leg Braces to the Leg Assembly as shown with (2) B Bolts.

2) Repeat Step 1 on the other side.



1) Attach the Seat Assembly to the Leg Assembly as shown with (2) A Bolts.

2) Repeat Step 1 on the other side.