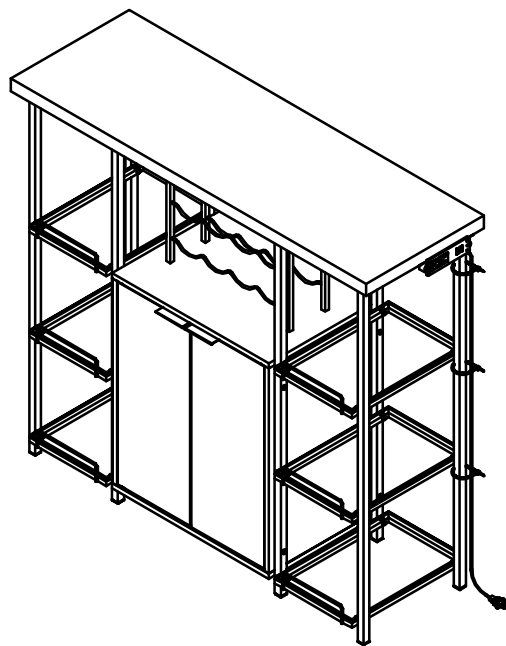


ASSEMBLY INSTRUCTIONS



BAR CABINET

ASSEMBLY INSTRUCTIONS

ASSEMBLY TIPS:

1. Remove hardware from box and sort by size.
2. Please check to see that all hardware and parts are present prior to start of assembly.
3. Please follow attached instructions in the same sequence as numbered to assure fast & easy assembly.



WARNING!

1. Don't attempt to repair or modify parts that are broken or defective. Please contact the store immediately.
2. This product is for home use only and not intended for commercial establishments.



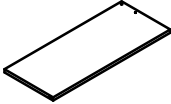
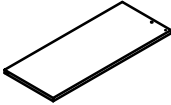
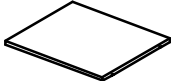
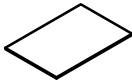


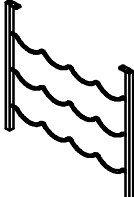
ASSEMBLY TIME 80 MINUTES

PARTS IDENTIFICATION

A	TOP PANEL		1PC
B	DRAWER TOP PANEL		1PC
C	DRAWER BOTTOM PANEL		1PC
D	DRAWER BACK PANEL		1PC
E	DRAWER LEFT PANEL		1PC
F	DRAWER RIGHT PANEL		1PC

ASSEMBLY INSTRUCTIONS

PARTS IDENTIFICATION

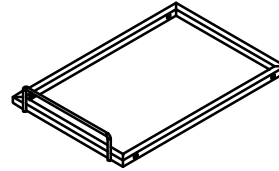
G	DRAWER LEFT DOOR		1PC
H	DRAWER RIGHT DOOR		1PC
I	DRAWER SHELF PANEL		1PC
J	SHELF GLASS		6PCS
K	DRAWER CROSSBAR		4PCS
L	SIDE CROSSBAR		4PCS
M	BOTTLE RACK		2PCS

ASSEMBLY INSTRUCTIONS

PARTS IDENTIFICATION

N

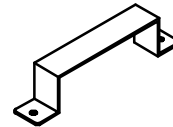
SHELF FRAME



6PCS

O

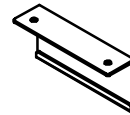
POWER OULET FIXED METAL



1PC

P

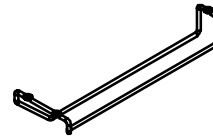
DOOR KNOB



2PCS

Q

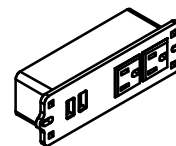
GLASS HOLDER



2PCS

R

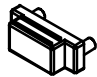















POWER OUTLET



1PC

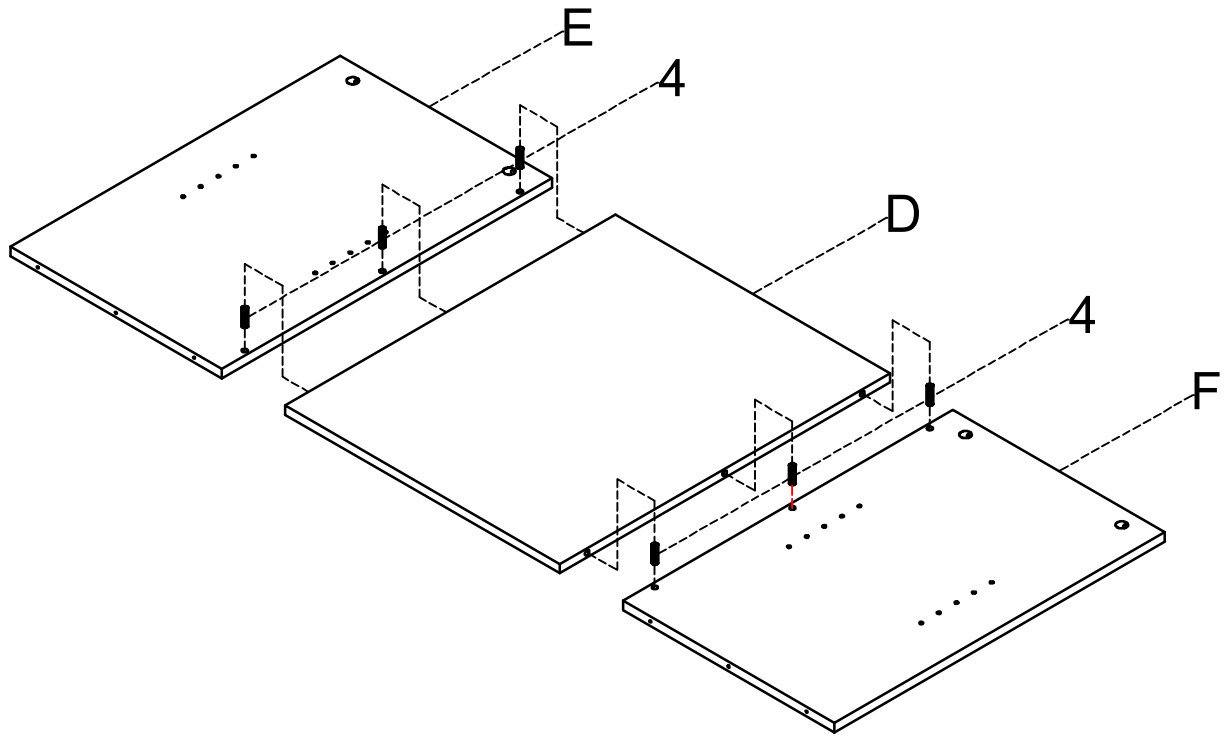
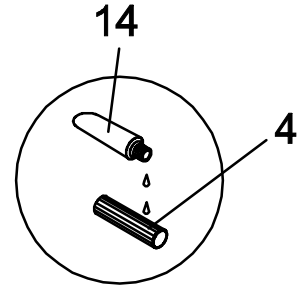
ASSEMBLY INSTRUCTIONS

HARDWARE IDENTIFICATION

1	PLASTIC MAGNET		1PC	9	SHORT SCREW ($\phi 4$ x 12mm)		16PCS
2	HINGE		4PCS	10	SHORT BOLT (1/4" x 12mm SR)		8PCS
3	HINGE INSERT		4PCS	11	LONG BOLT (1/4" x 28mm SR)		36PCS
4	WOOD DOWEL (8 x 30mm)		10PCS	12	SUCTION CUP ($\phi 10$ x 2mm)		24PCS
5	SHELF BOLT		4PCS	13	CAP (20 x 20mm)		8PCS
6	CAM-LOCK ($\phi 15$ mm)		4PCS	14	GLUE		1PC
7	CAM-BOLT (38.5mm)		4PCS	15	RESTRAINT STRAP		3PCS
8	LONG SCREW ($\phi 4$ x 38mm)		6PCS	16	ALLEN WRENCH (4mm)		1PC

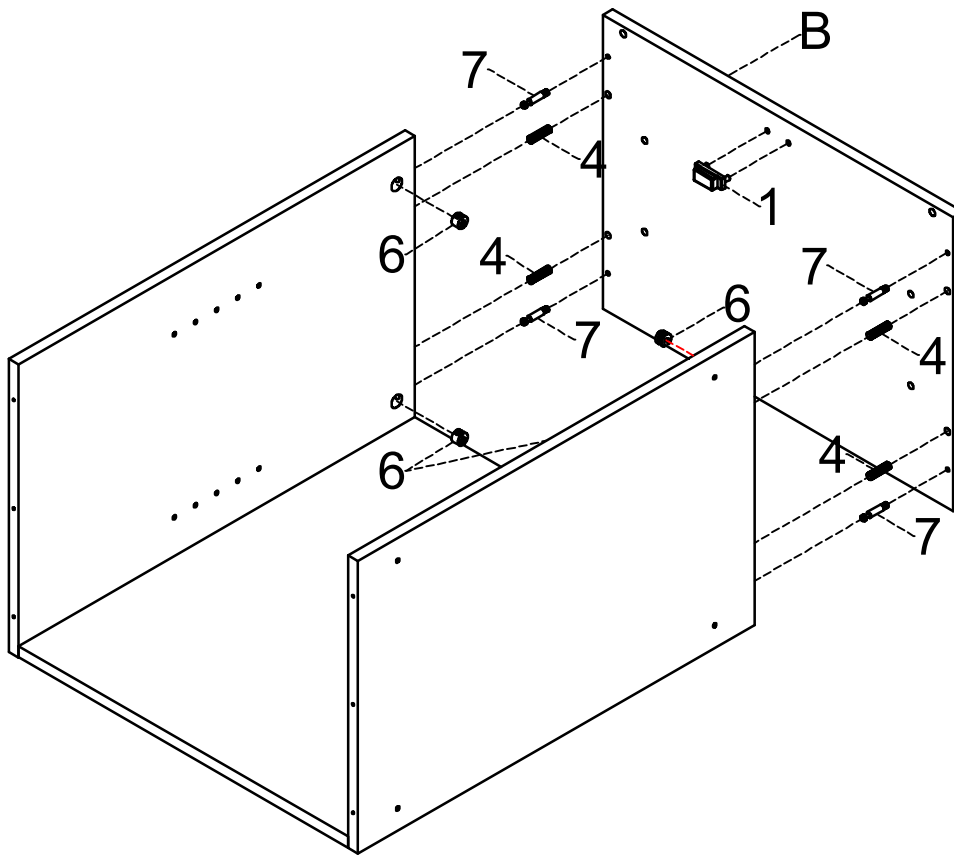
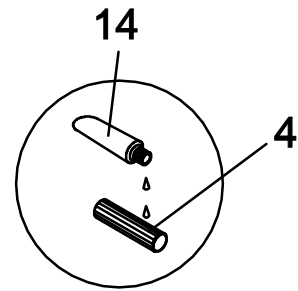
ASSEMBLY INSTRUCTIONS

STEP 1 Do not tighten until each step is completed or instructed.



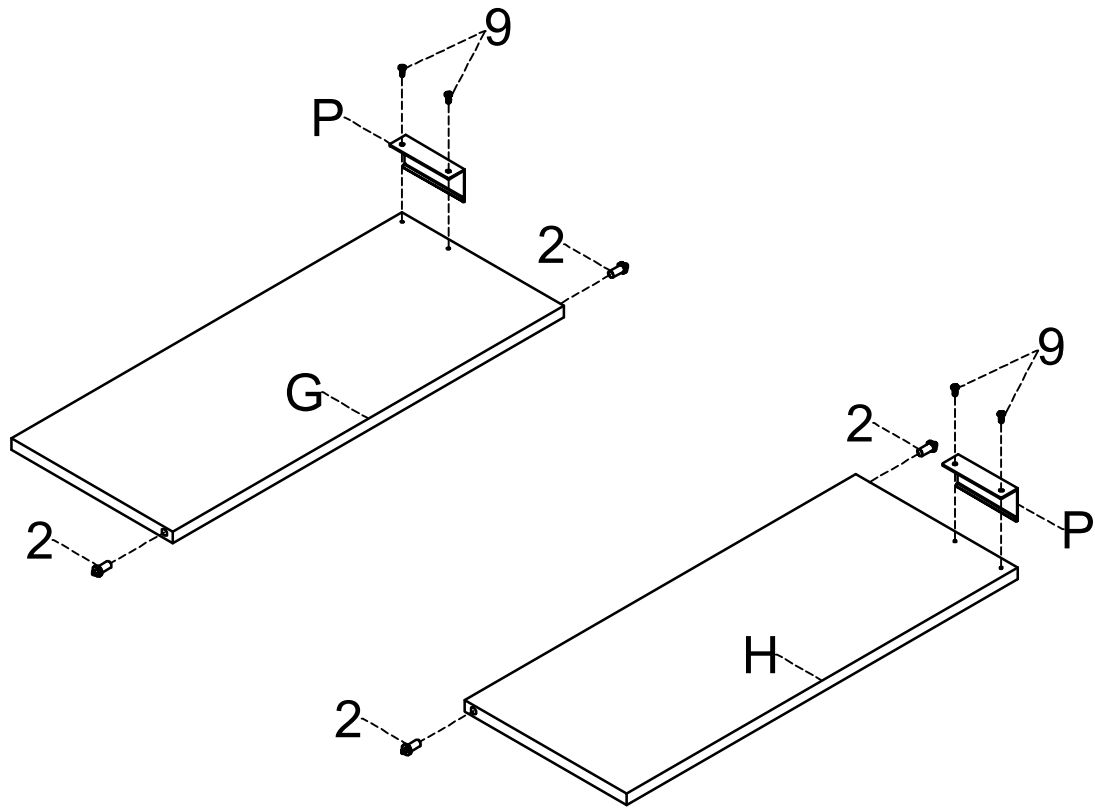
ASSEMBLY INSTRUCTIONS

STEP 2



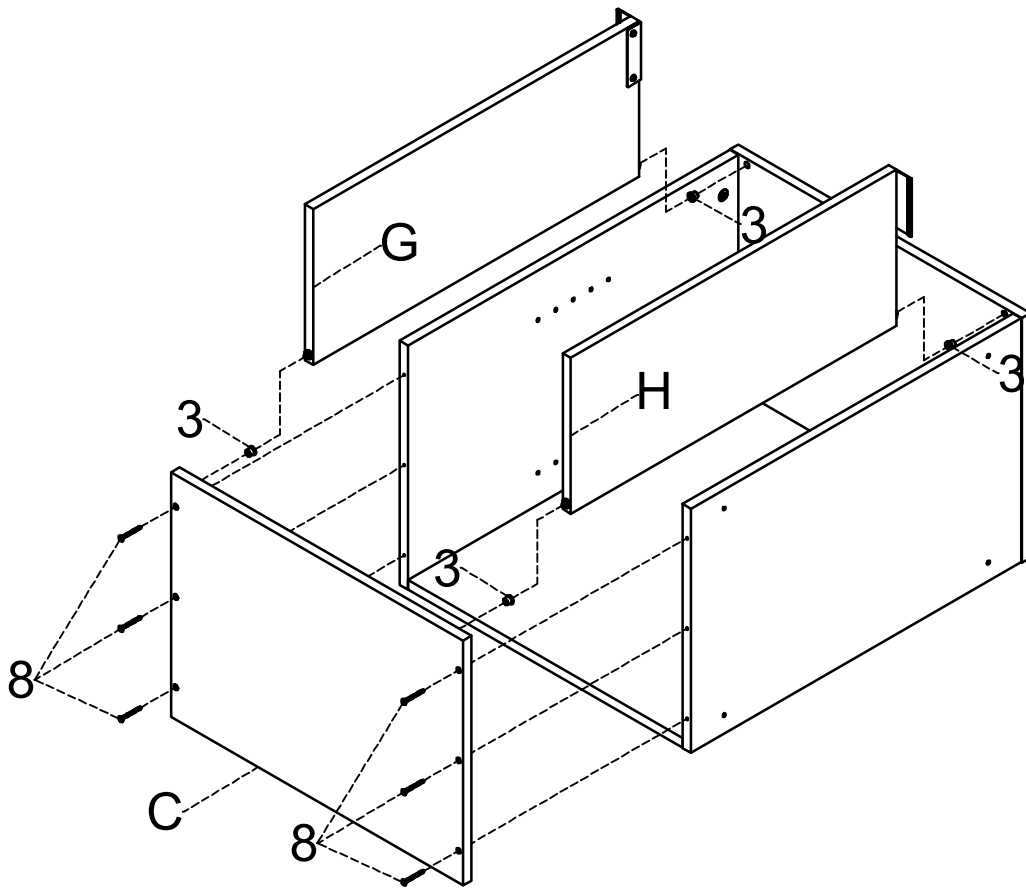
ASSEMBLY INSTRUCTIONS

STEP 3



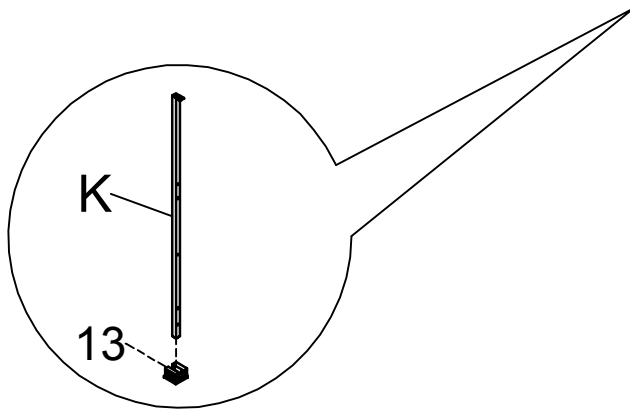
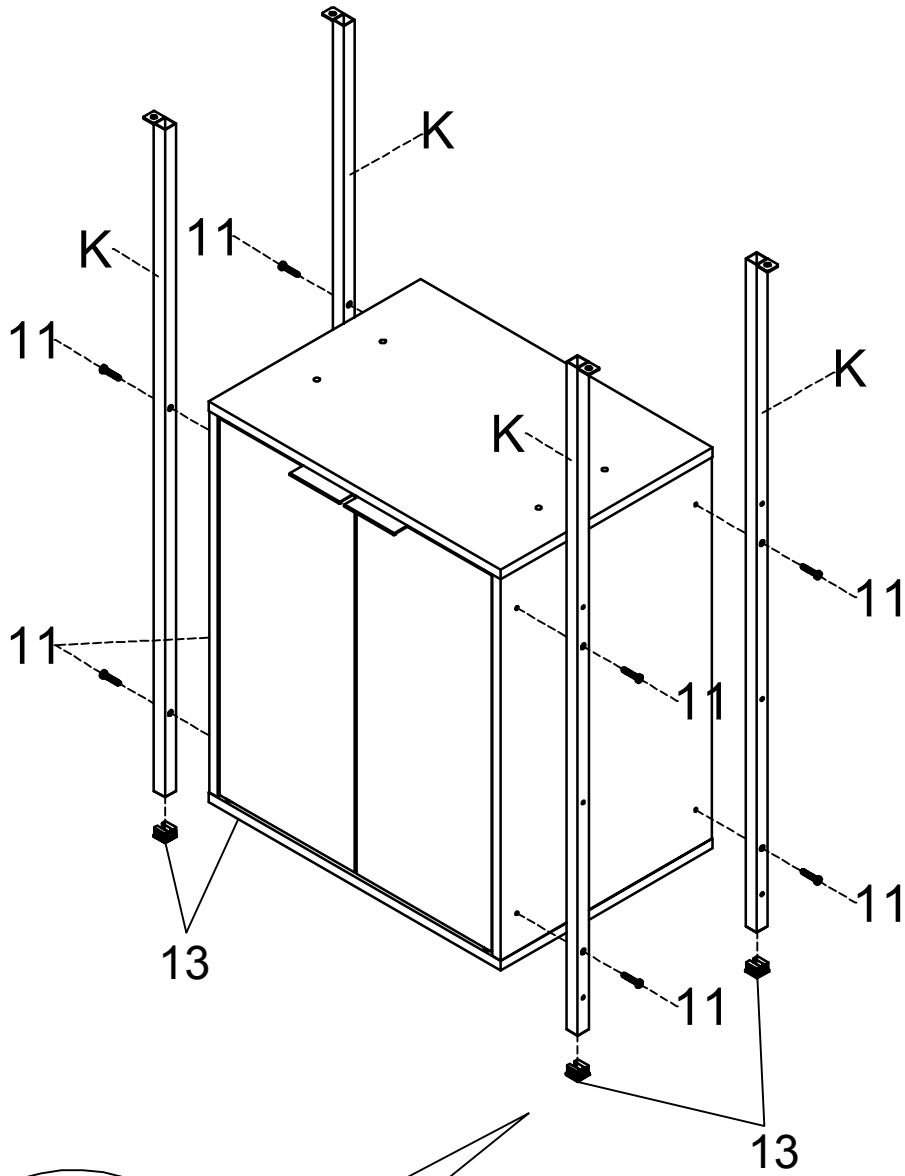
ASSEMBLY INSTRUCTIONS

STEP 4



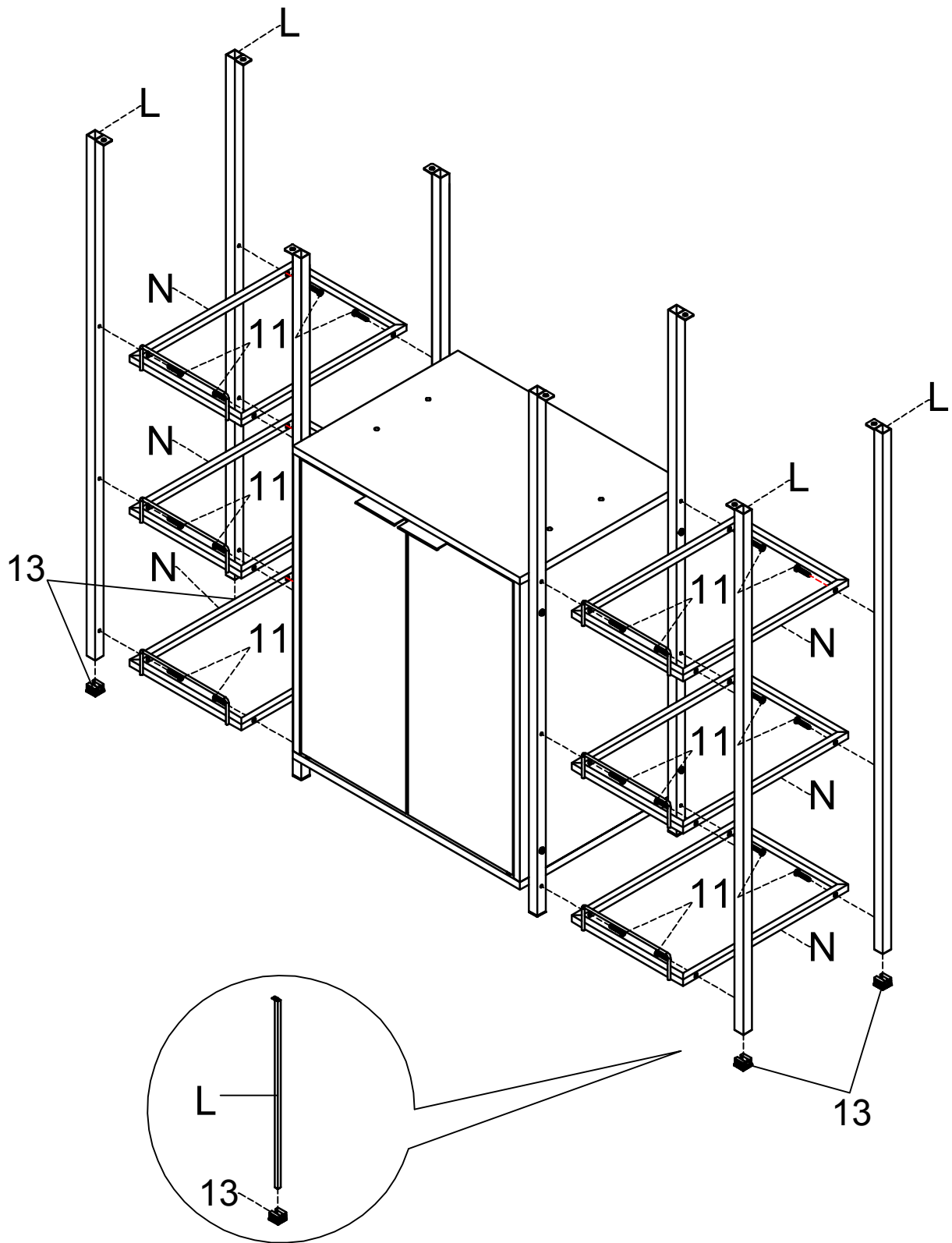
ASSEMBLY INSTRUCTIONS

STEP 5



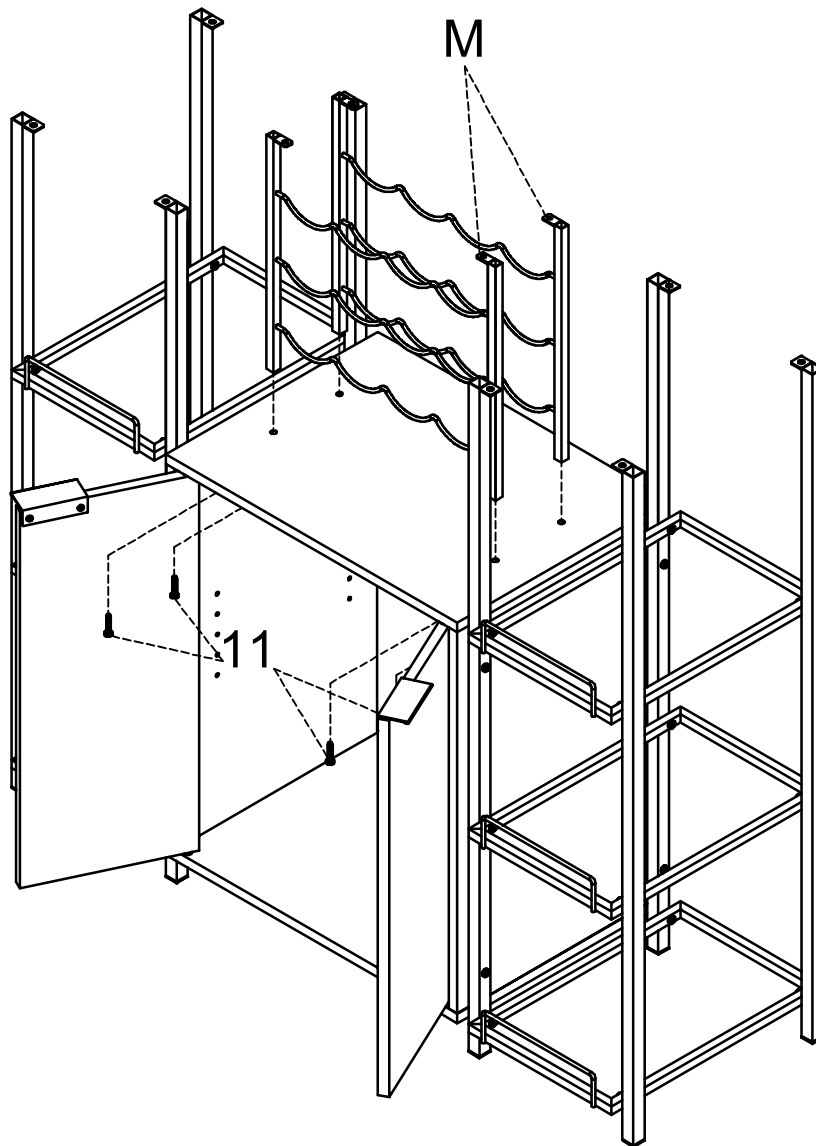
ASSEMBLY INSTRUCTIONS

STEP 6



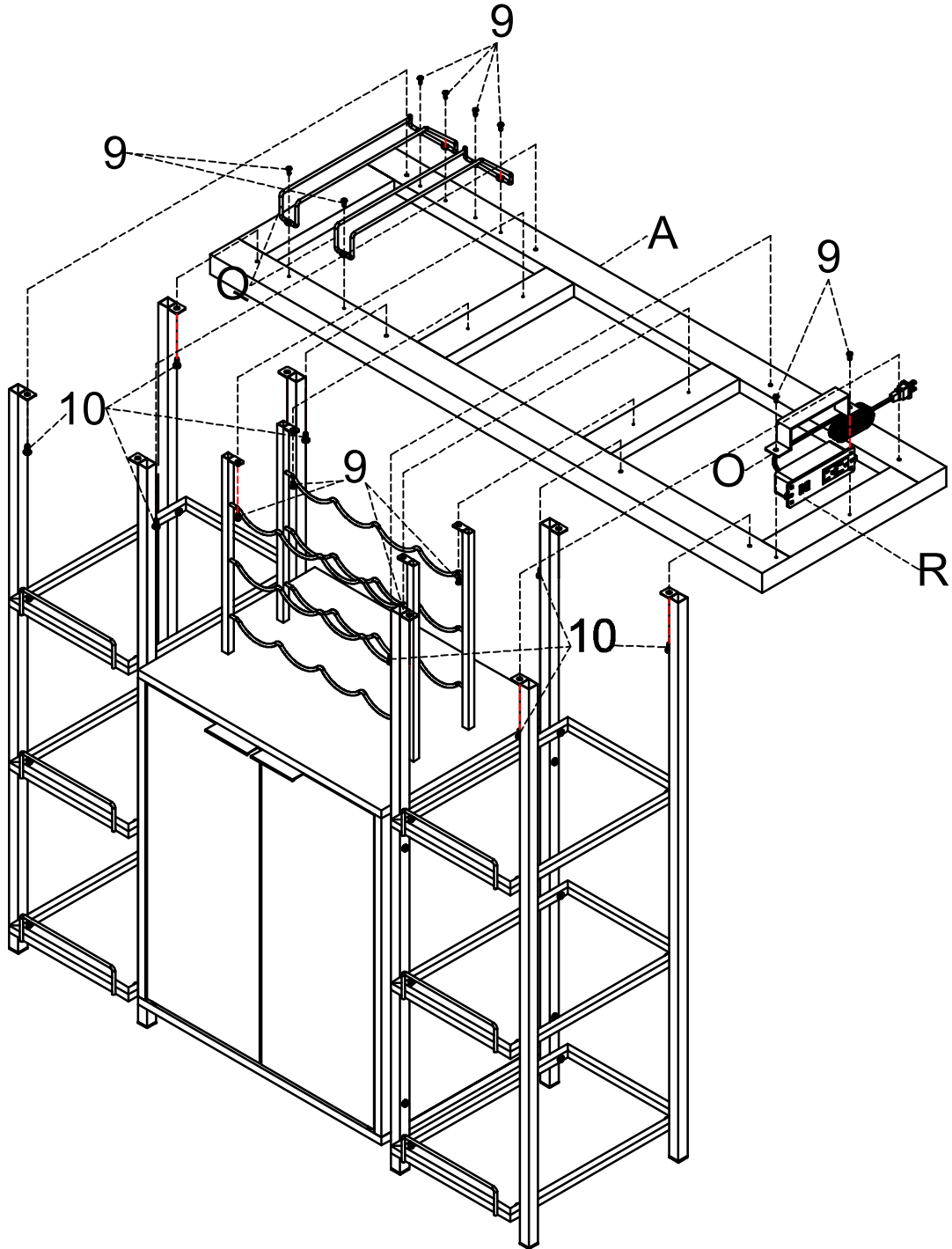
ASSEMBLY INSTRUCTIONS

STEP 7



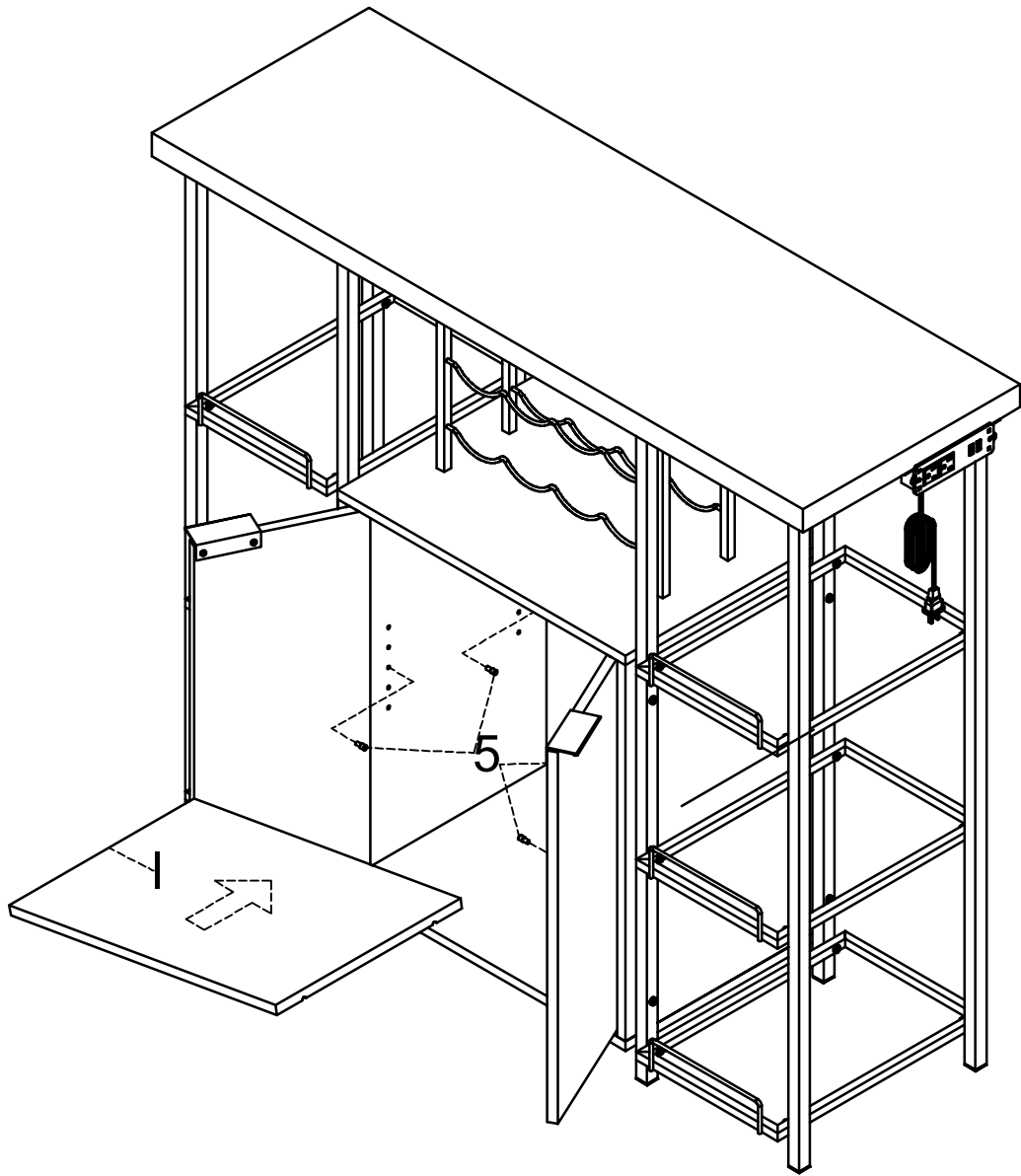
ASSEMBLY INSTRUCTIONS

STEP 8



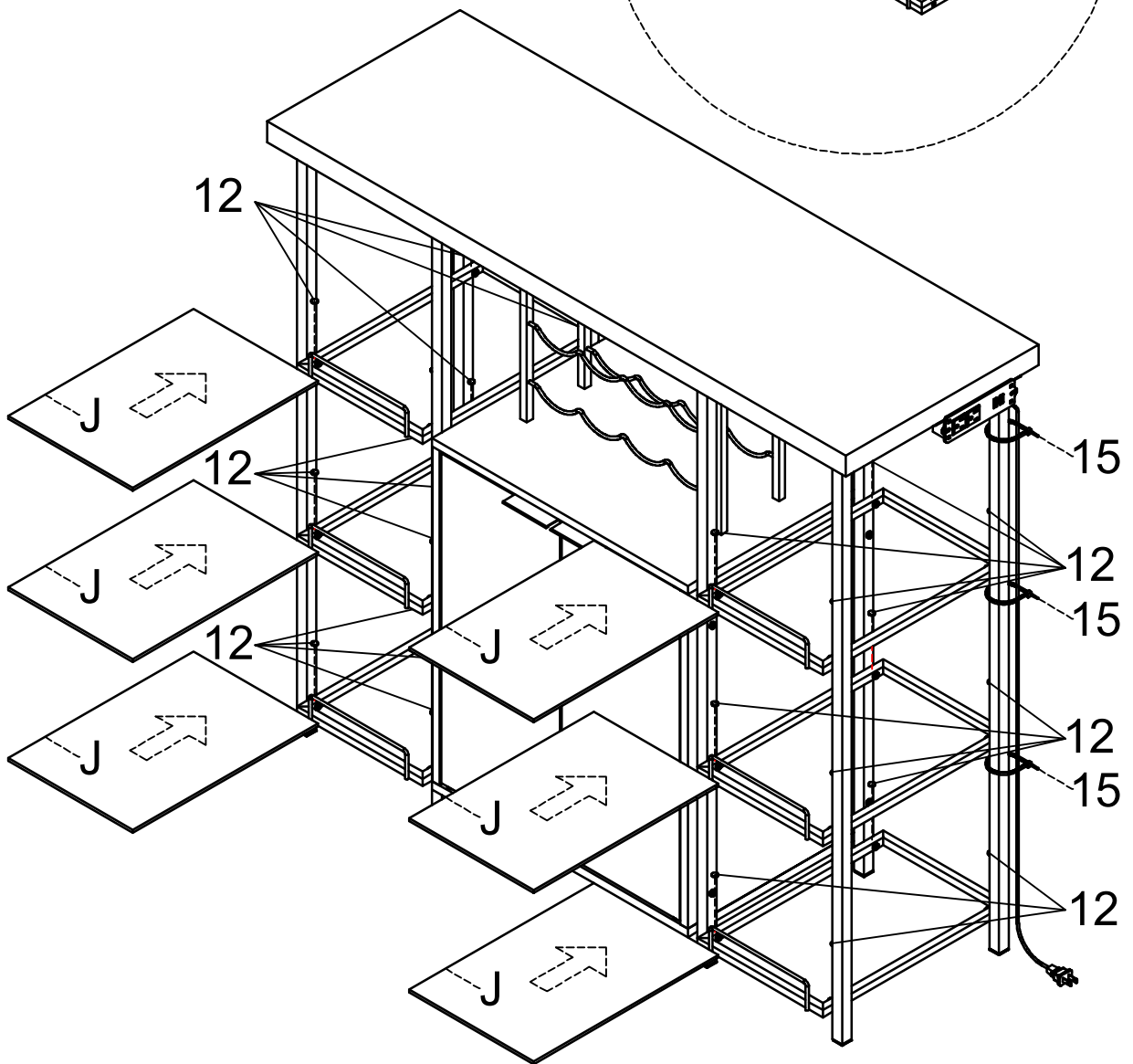
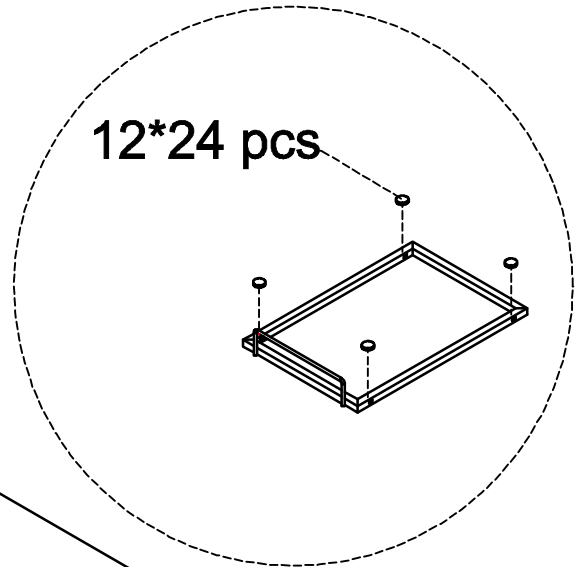
ASSEMBLY INSTRUCTIONS

STEP 9



ASSEMBLY INSTRUCTIONS

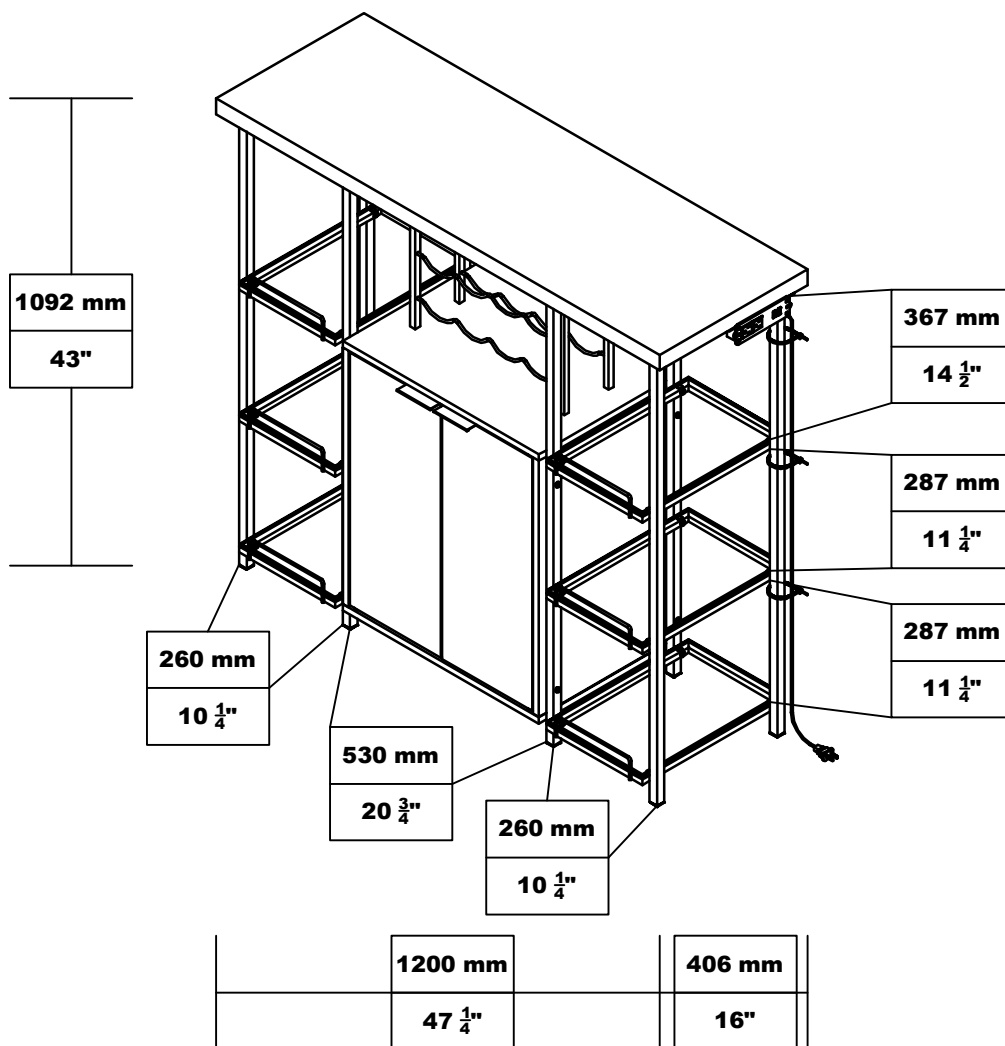
STEP 10



ASSEMBLY INSTRUCTIONS

Product Size : 1200 X 406 X 1092 H (MM)

Product Size : 47 $\frac{1}{4}$ " X 16" X 43"



Note : Dimension tolerance $\pm 5\%$

ANTI-TIPPING INSTALLMENT INSTRUCTIONS

FURNITURE TIPPING RESTRAINT

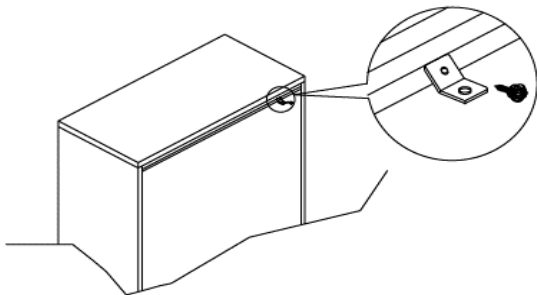
WARNING

Injury may result from tipping furniture.
This restraint may protect against tipping furniture.
Do not allow children to climb on furniture.
This restraint is not a substitute for proper adult supervision.
Failure to detach this restraint before moving the furniture may result in injury and damage.

This tip restraint must be attached to a wall stud using long screw enclosed.

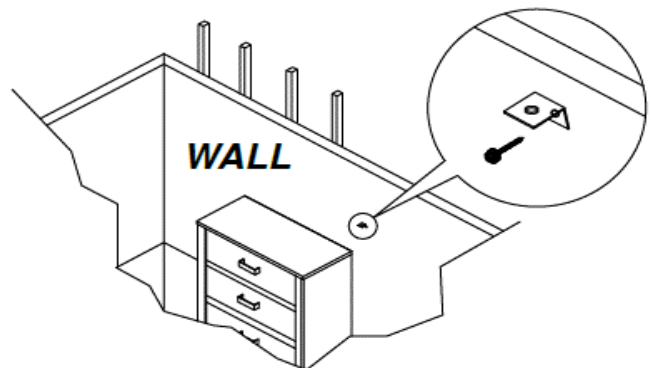
STEP 1

Attach a bracket securely to the back top rail of the furniture using short screw provided, through the smaller hole.



STEP 2

Locate the other bracket on the wall over a plastic wall stud and two inches below the mounting bracket secured to the back of the furniture. Attach the wall stud using the long screw provided, through the smaller hole.



STEP 3

Place the furniture into position so both mounting brackets are vertically in line. Lace the end of the restraint strap through the larger hole in each mounting bracket. Bring both ends together and slide the flat end through the locking end and draw it through until all slack is removed. Confirm that the strap is securely laced and locked.

