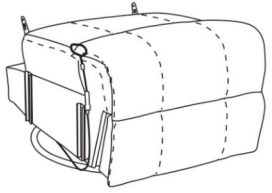


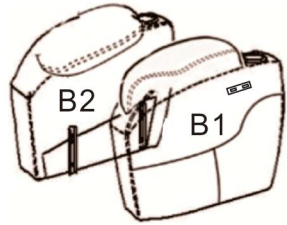
Power Lift Recliner Assembly Instruction

A



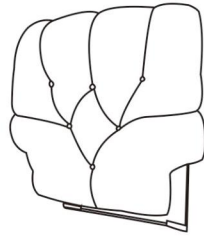
Chair base

B



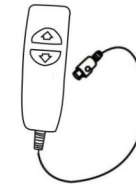
Armrest

C



Backrest

D



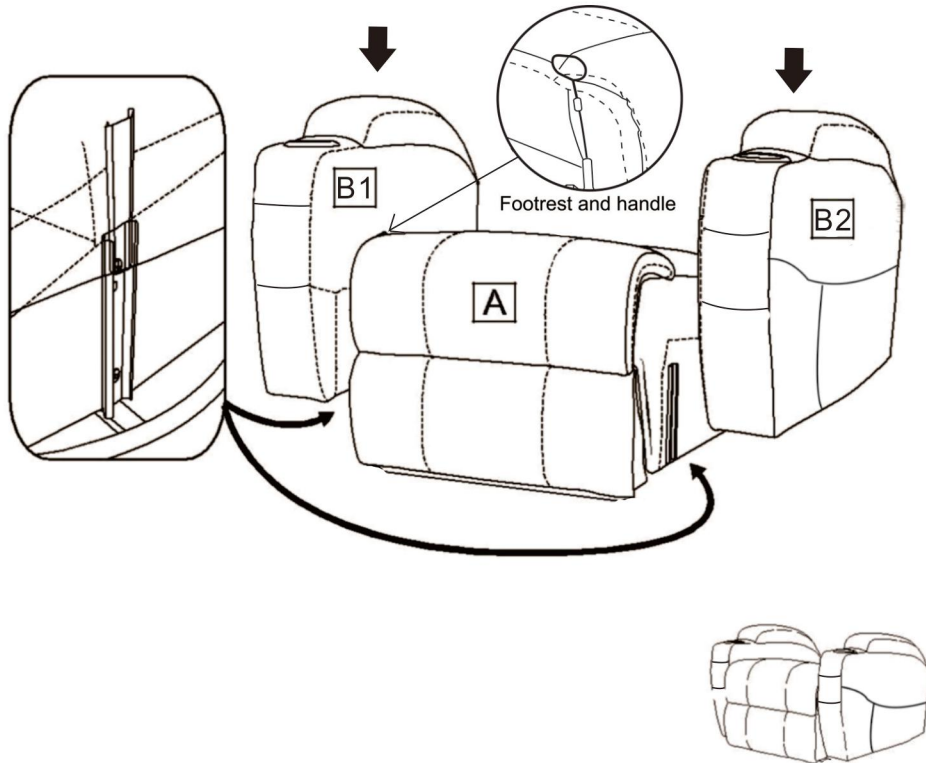
Lift control

E

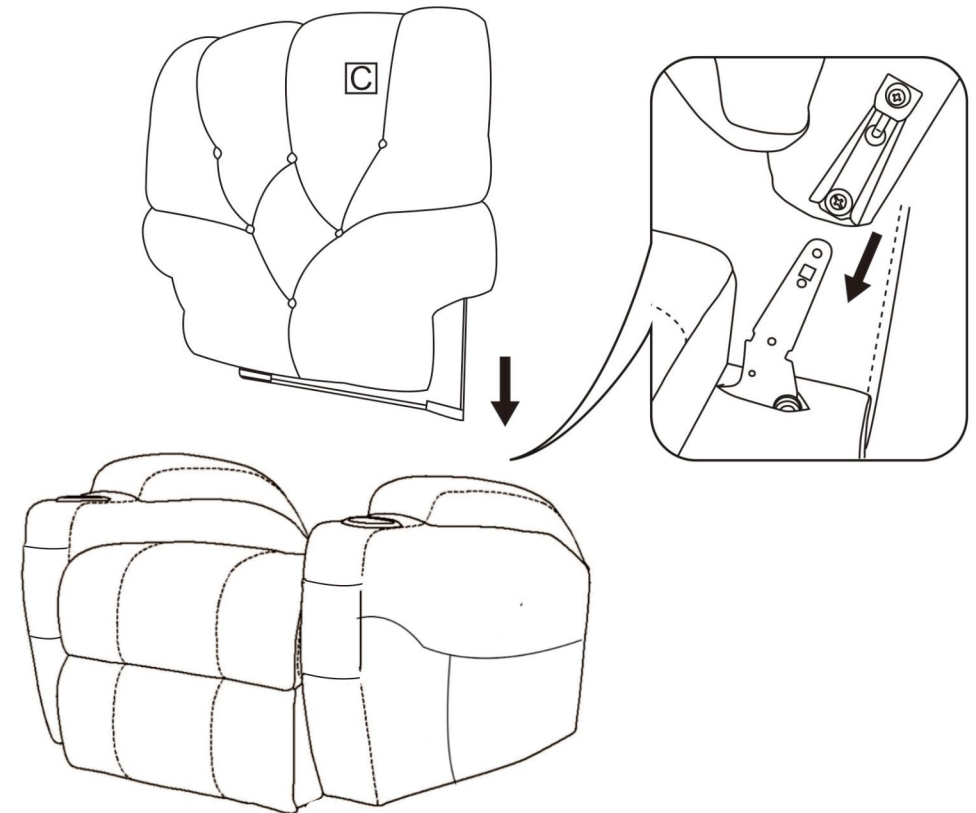


Power source

step1



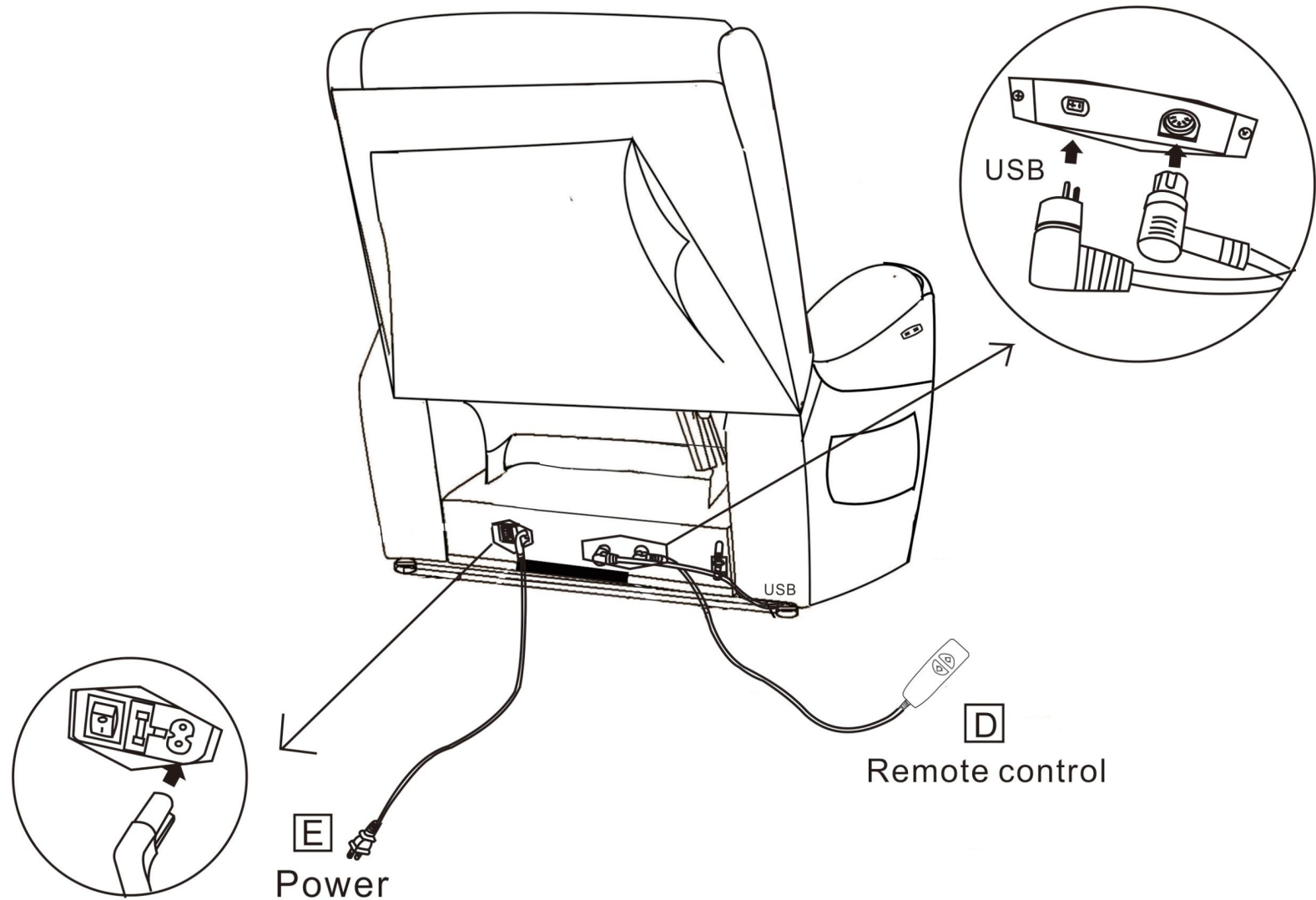
step2



Power Lift Recliner Assembly Instructions

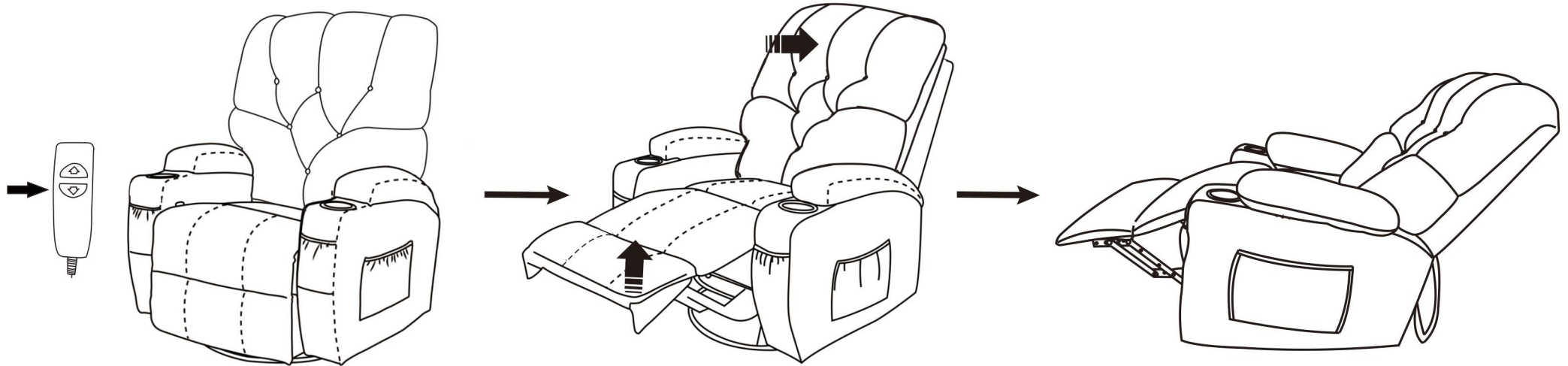
STEP 3

The USB socket in the bottom of the sofa armrest.



Power Lift Recliner Assembly Instruction

How to recline?

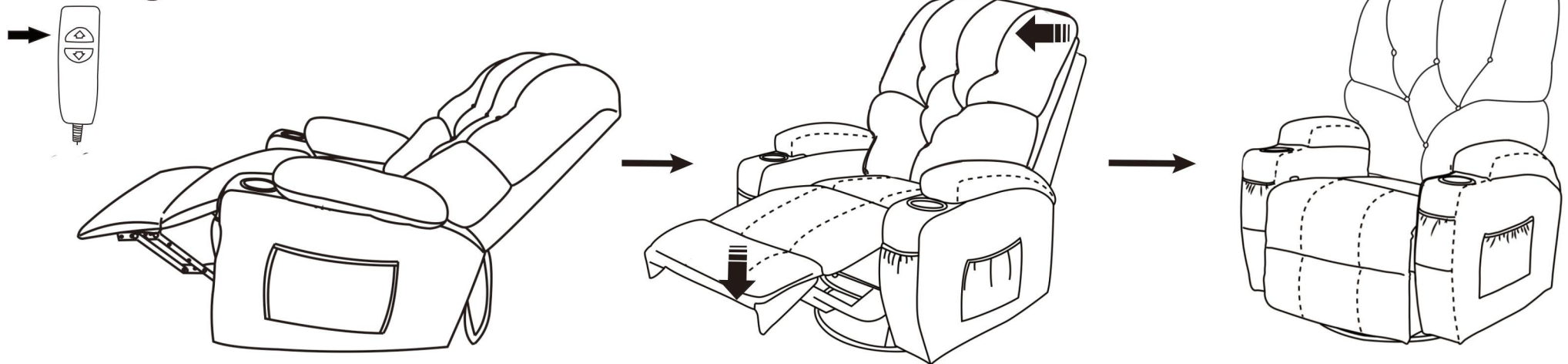


1. Lift the handle up to release footrest

2. Sit deeper on the chair, put hands on armrests, lie down and use both head and back strength to recline

3. Have a relax on chair

How to get footrest latch down?



1. Sit on the chair (not recline), backrest will be back.
NOTE : footrest will not close in reclined position.

2. Press the bottom of footrest with some strength (with feet), try some times to get footrest latch down.

3. The chair will be in seated position