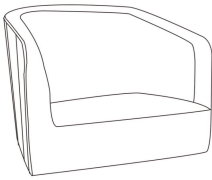
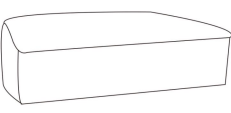
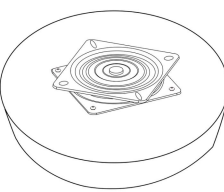
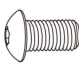
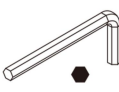
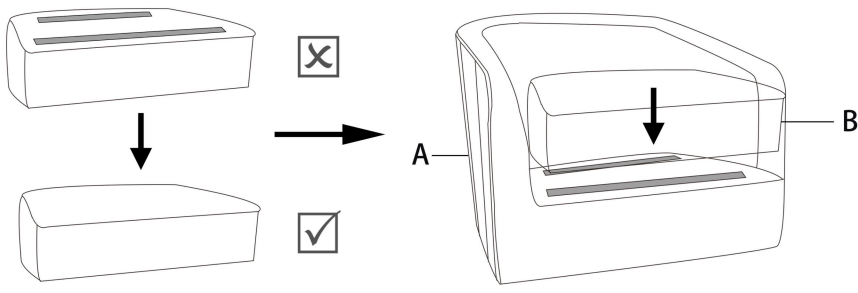


# ASSEMBLING INSTRUCTION

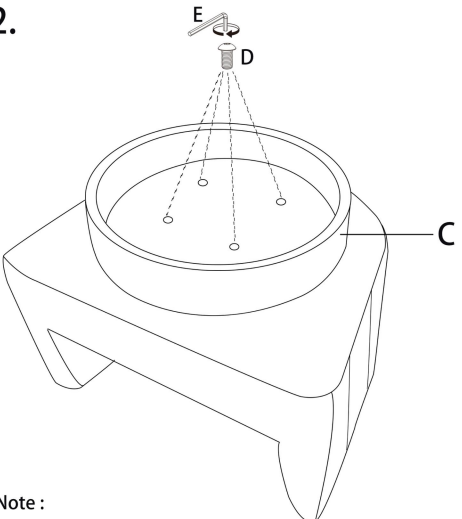
Ax1 	Bx1 	Cx1 	Dx4 (M6x45mm)  Ex1 
--	--	---	--

1.



1.Filp the part (B) and install it on top of (A).

2.



Note :  
The Plate on the part (C) can rotate .  
Please align it with the screw holes during installation!

3.

