

CORINTHIAN

CONCRETE WALL LIGHT

The exquisite Corinthian fixture is crafted from Ultra High Performance Concrete (UHPC). While UHPC boasts superior density and strength compared to regular concrete, Euri has ingeniously employed proprietary technology to imbue it with a softer, finer texture reminiscent of ancient Greek Temple Pillars. When you encounter the Corinthian fixture, it not only captivates the eye but also elevates the entire surrounding ambiance, exuding luxury.

The light fixture is equipped with an E26 base socket, and it does not come with a light bulb



Cream White

Electrical Specifications

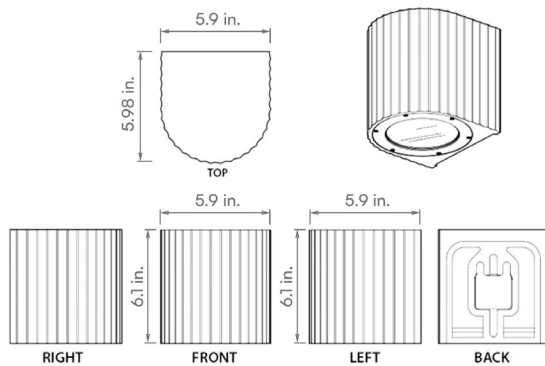
Model No.	Socket	Input Power	Input Voltage	Rating	Operational Temperature	Warranty
	E26	Max 20W	110-230V	Wet Rated	5°F - 104°F	3 Yrs.

Product Material	Components
Concrete, EGI(Electro Galvanized Iron)	Main Fixture, Bracket, Bolt, Screw

Mechanical Specifications

Origin	Inner Box QTY.	Master Box QTY.	Weight(lbs)	Dimensions(in.)	UPC Code
South Korea	1 pc	3 pcs	5.7 lbs	5.9"(L) x 5.98"(W)x 6.1"(H)	

Product Dimensions



Color Option

