
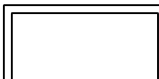
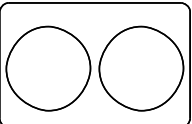




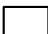


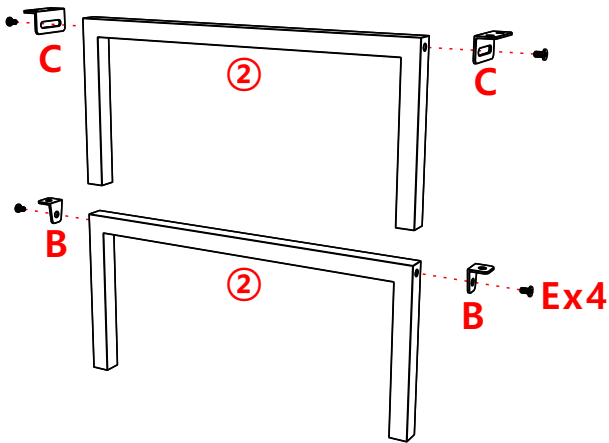


# Iron Wood Dog Bowl Holder

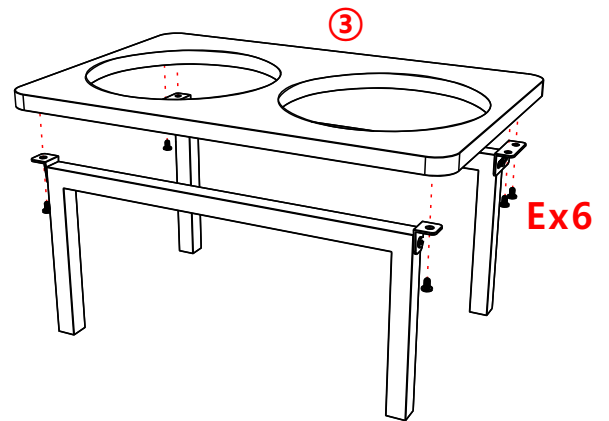
## Parts list

① (x 2pc)	② (x 2pc)	③ (x 1pc)	④ (x 2pc)	A (x 4pc)	B (x 2pc)	C (x 2pc)
						
				D (x 4pc)	E (x 10pc)	F (x 1pc)
						

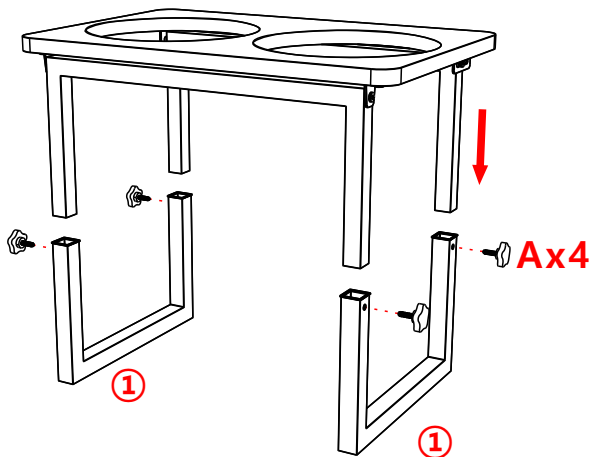
### Step 1



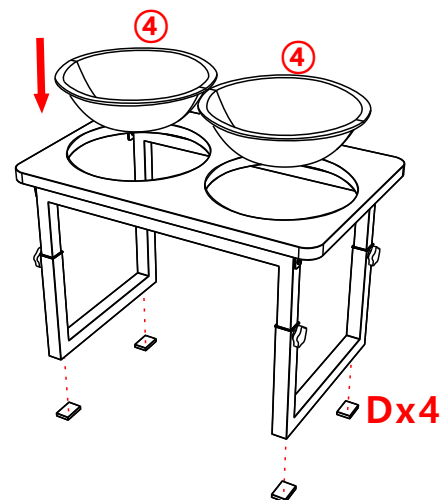
### Step 2



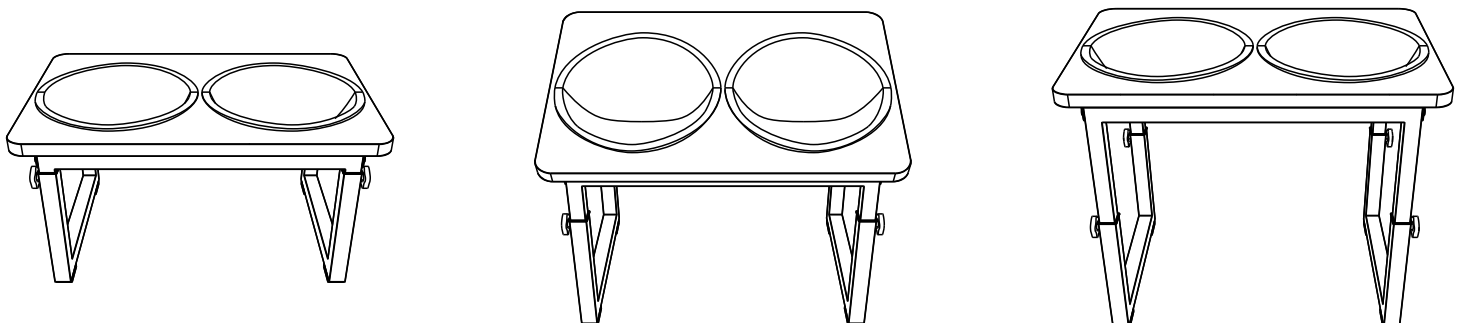
### Step 3



### Step 4



### Finished



You can freely adjust the height and tilt angle.

▲ : For any problems with the product, feel free to contact the manufacture technical support: [service@uyoyous.com](mailto:service@uyoyous.com)