

# Assembly Instruction for

## WOOD BACK DINING SIDE CHAIR

### D-7570-5-SC / D-7570-5-SC2 / D-7570-5-SC3

**CAUTION:** Please read instructions thoroughly before unpacking assembly parts. Sharp, exposed staple tips can cause injury, therefore, for your protection, please remove any exposed staples used in packing.

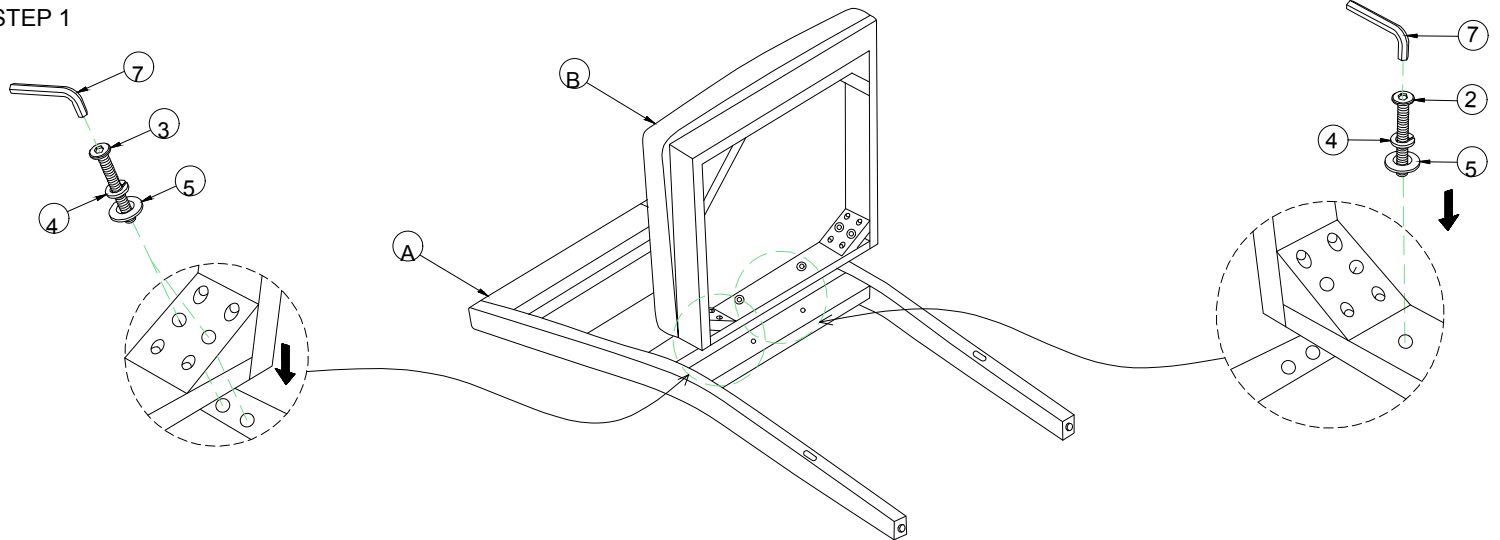
1. We recommend that you should assemble this product with the assistance of another person; this will make assembly easier, and will help to eliminate damage the product or injury to persons during assembly.
2. Be sure to check all packing materials carefully for small parts that may have come loose inside the carton during shipment.
3. Please do not over tighten screws or bolts.
4. Please put all parts on a non-abrasive floor before assembly, and follow the assembly steps to assemble your newly purchased product correctly and efficiently.

PART LIST			
NO.	PART DESC	CODE	Q'TY
A	Wooden Back Frame	PD-7570-5-BFR	1
B	Seat Cushion	PD-7570-5-SCSEC PD-7570-5-SC2SEC PD-7570-5-SC3SEC	1
C	LHF Front Leg	PD-7570-5-LLEG	1
D	RHF Front Leg	PD-7570-5-RLEG	1
E	LHF Stretcher	PD-7570-5-LSTR	1
F	RHF Stretcher	PD-7570-5-RSTR	1

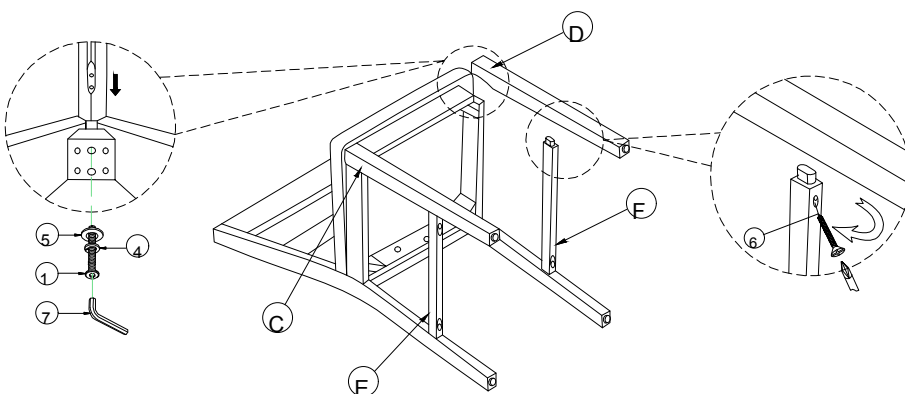
HARDWARE LIST			
NO.	HARDWARE DESC	CODE	Q'TY
1	BOLT Ø5/16"x2"	PD-7570-5-HW	4
2	BOLT Ø5/16"x1"3/8		2
3	BOLT Ø5/16"x3"		4
4	LOCK WASHER 5/16"xØ13		10
5	FLAT WASHER 5/16"xØ22		10
6	Screw Ø4x1"3/4		4
7	ALLEN KEY M5		1

Only tighten all bolts when all bolts aligned with bolt inserts.

#### STEP 1



#### STEP 2



#### COMPLETED

