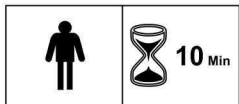
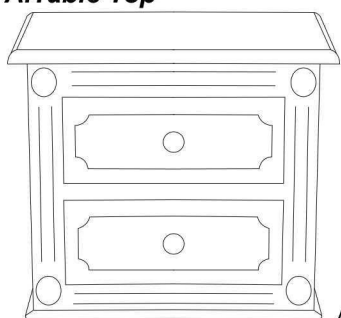


# Assembly instructions



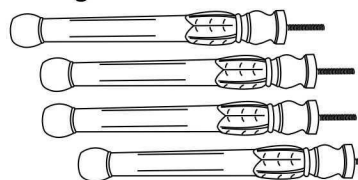
## Component List:

### A. Table Top



A = (1 pcs)

### B. Legs



B = (4 pcs)

## Assembly:

