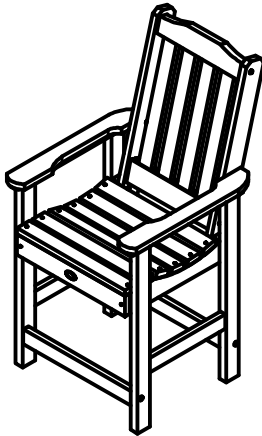


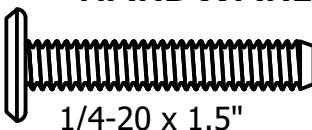
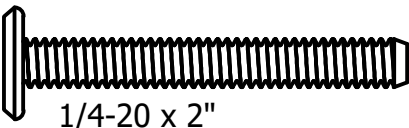
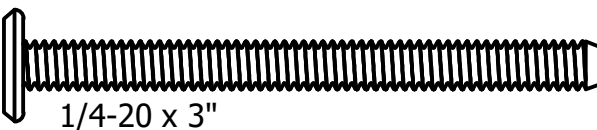
# Counter Height Armchair

## Assembly Guide

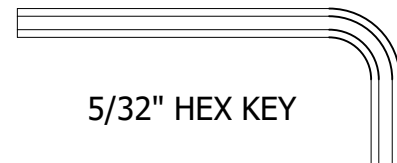


\*Actual Style May Vary from the One Pictured in this Guide

### HARDWARE INCLUDED

- A**  Qty: 2  
1/4-20 x 1.5"
- B**  Qty: 8  
1/4-20 x 2"
- C**  Qty: 4  
1/4-20 x 3"

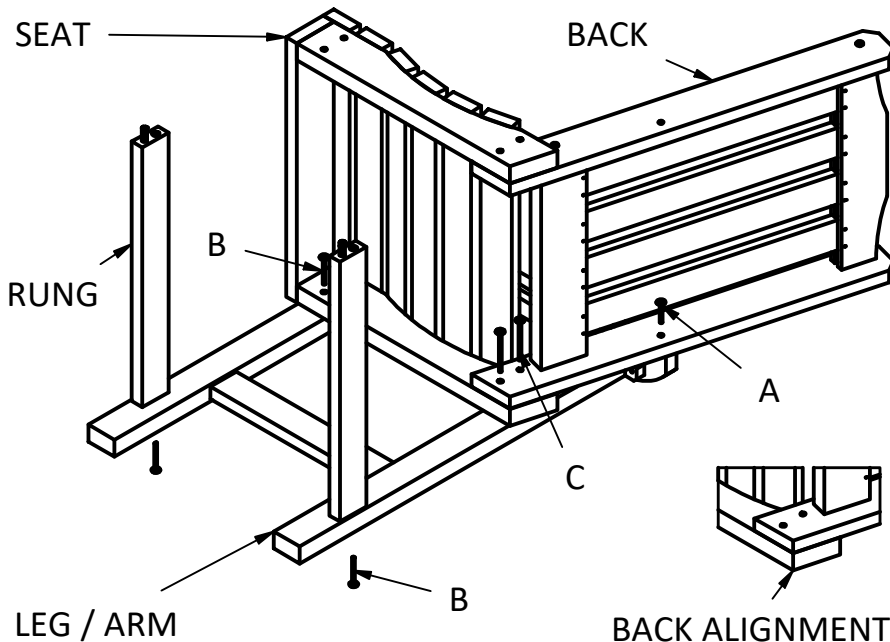
### TOOLS INCLUDED



5/32" HEX KEY

### IMPORTANT!

DO NOT fully tighten bolts until all bolts are started.



- 1) Attach Seat to Leg/Arm using (2) B bolts and (2) C bolts. (Align Back as shown for C bolts)
- 2) Attach Back to Leg/Arm using (1) A bolt
- 3) Attach Rungs to Leg/Arm using (2) B bolts per Leg/Arm assembly.
- 4) Repeat on other Side.

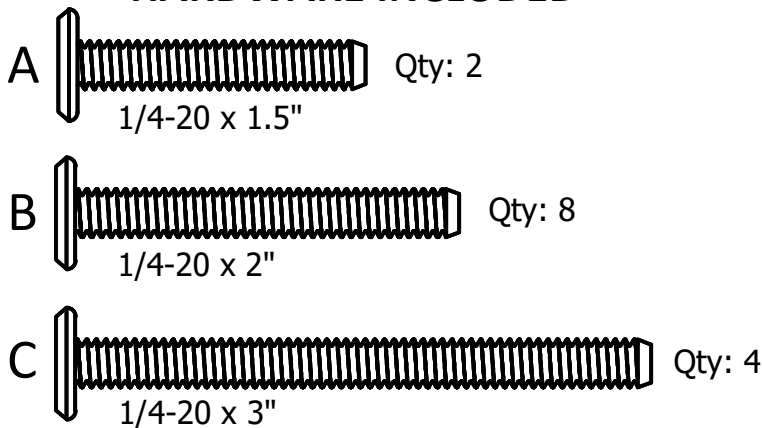
# Counter Height Armchair

## Assembly Guide



\*Actual Style May Vary from the One Pictured in this Guide

### HARDWARE INCLUDED



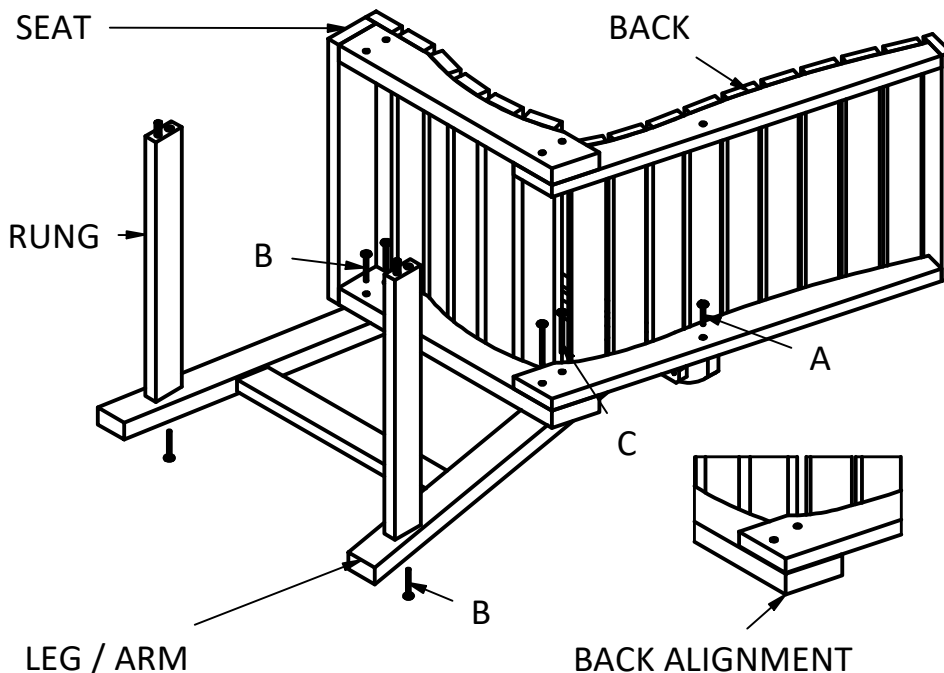
### TOOLS INCLUDED



5/32" HEX KEY

### IMPORTANT!

DO NOT fully tighten bolts until all bolts are started.



- 1) Attach Seat to Leg/Arm using (2) B bolts and (2) C bolts. (Align Back as shown for C bolts)
- 2) Attach Back to Leg/Arm using (1) A bolt
- 3) Attach Rungs to Leg/Arm using (2) B bolts per Leg/Arm assembly.
- 4) Repeat on other Side.