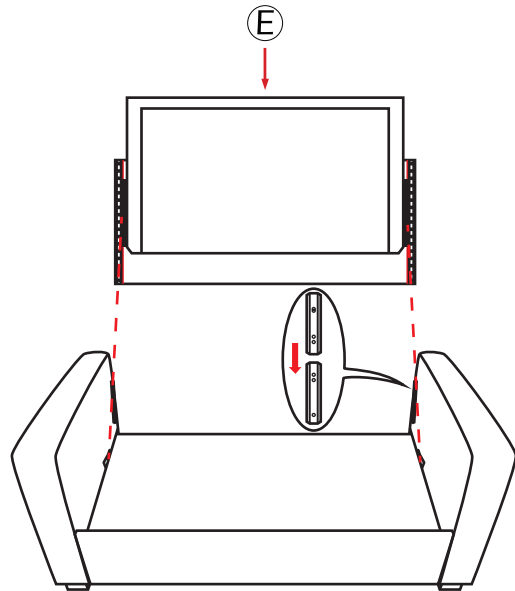


Model: \_\_\_\_\_

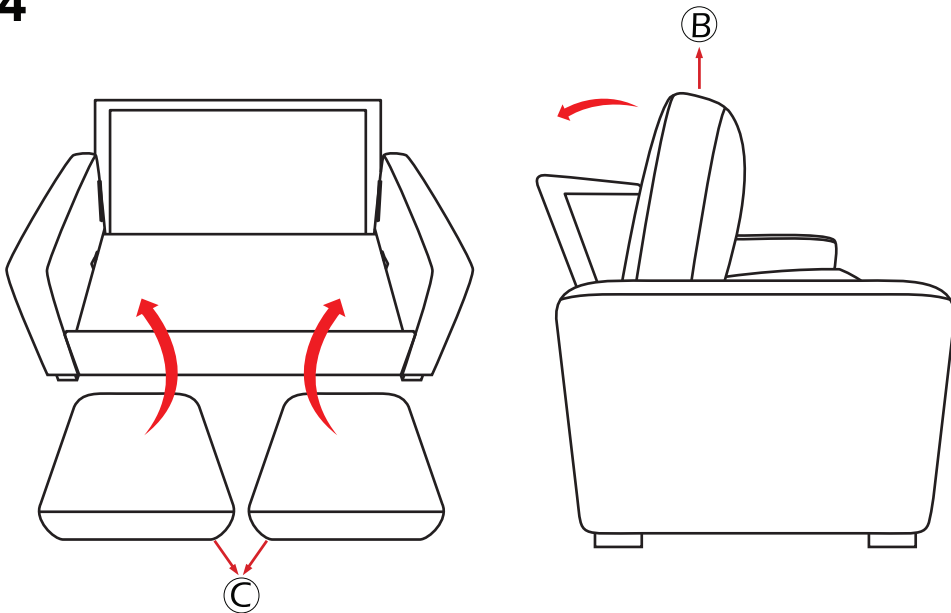
Lot No: \_\_\_\_\_

Date of Purchase: \_\_\_\_\_

3



4



## SOFA WITH PILLOWS



### ADULT ASSEMBLY REQUIRED

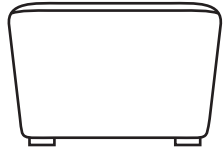
If you are missing any parts or have any questions regarding assembly, do not return this item to the retailers store. Please call our toll-free customer service number and have this assembly manual open to the parts list ready to provide the model name, and part name or number.



**WARNING:** This product may contain small components, please ensure they are kept away from small children.

## PARTS AND HARDWARE

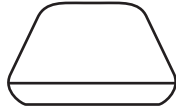
Avoid using sharp objects such as a knife to cut open packing as you may accidentally damage the upholstery.



A. Arms

2x

(\*packed in separate box)



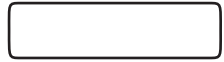
B. Back Cushion

2x



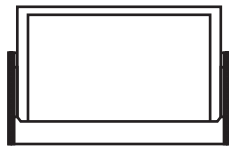
C. Seat Cushion

2x



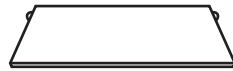
D. Base Connector

1x



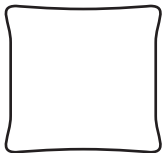
E. Backrest

1x



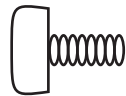
F. Seat Base

1x



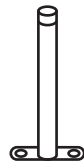
G. Pillow

1x



H. Hand Threaded Bolt

2x



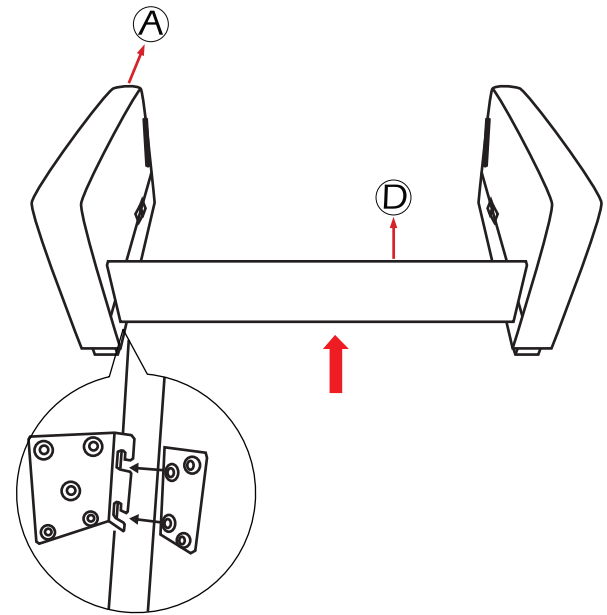
I. Center Support Leg

1x

## ASSEMBLY INSTRUCTIONS

Do not fully tighten bolts until assembly is complete.

# 1



# 2

