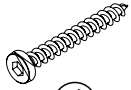
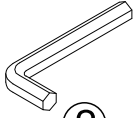


ASSEMBLY INSTRUCTIONS

Attention: Do not tighten the screws until the assembly setup is completed.



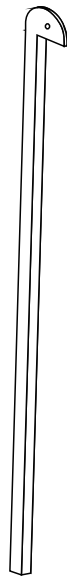
① x6



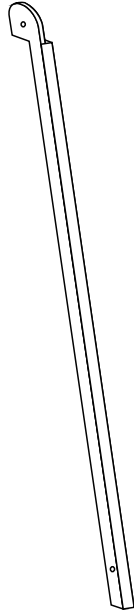
② x1



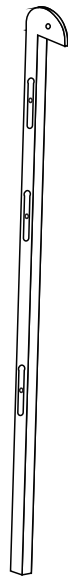
Ex3



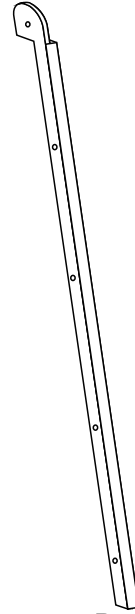
AX1



Bx1



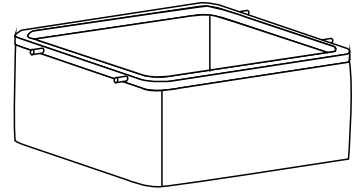
Cx1



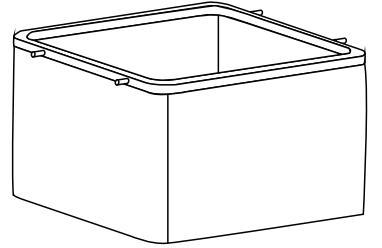
Dx1



Ix1

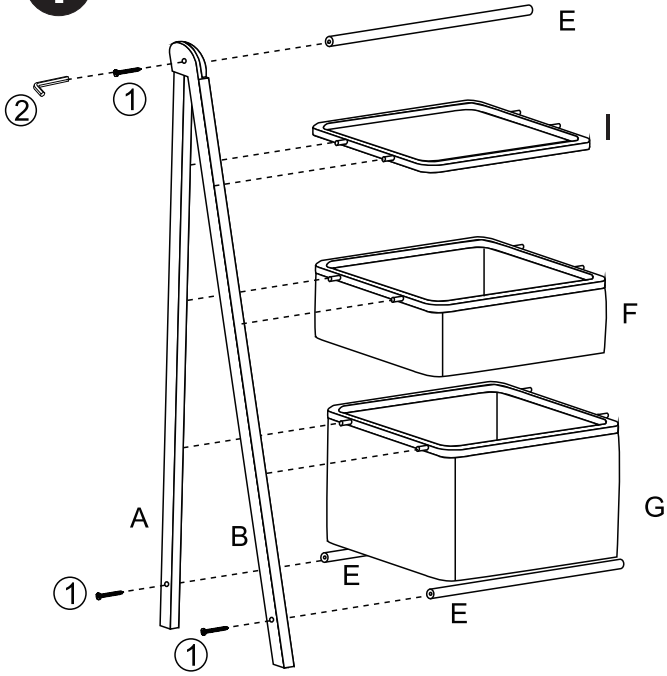


Fx1

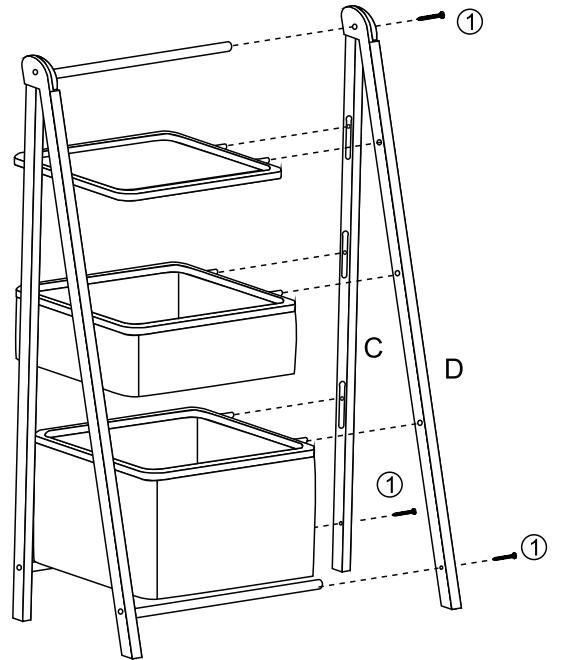


Gx1

1



2



3

