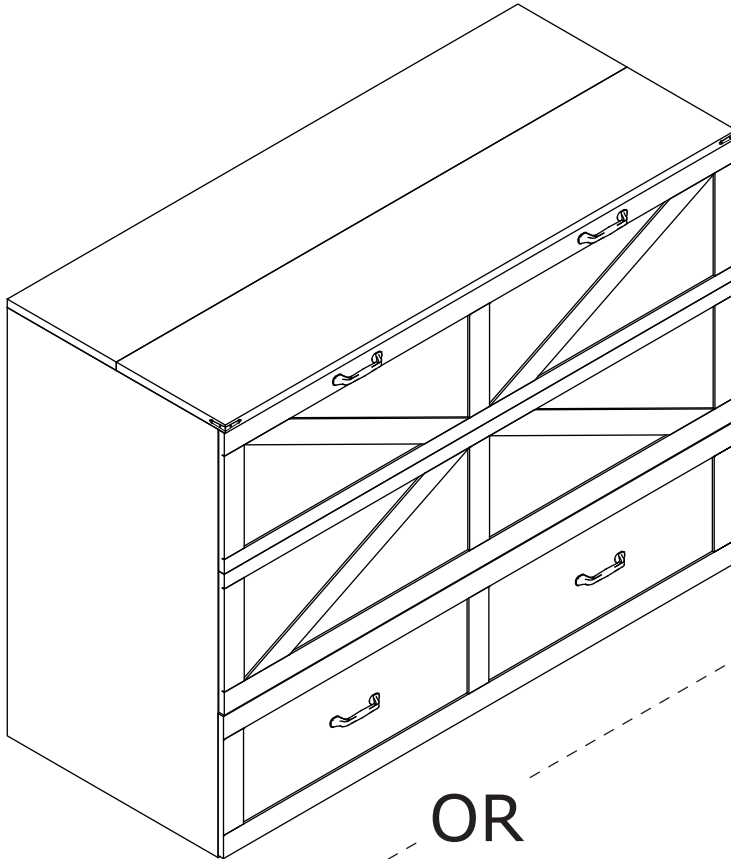
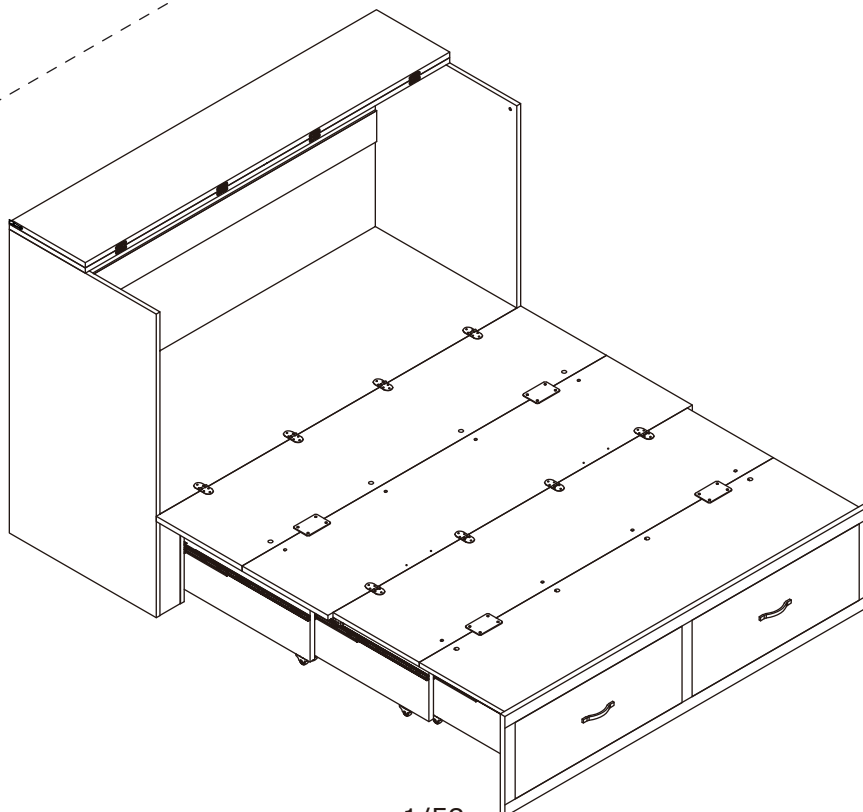


Installation & Assembly

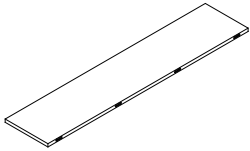
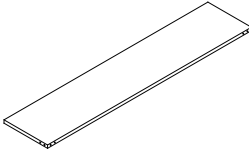
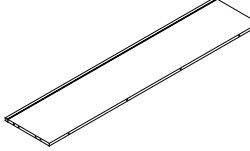
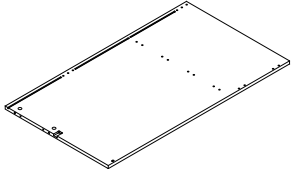
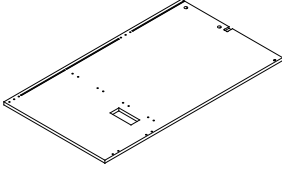
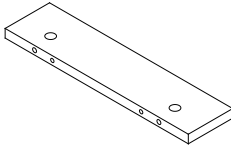
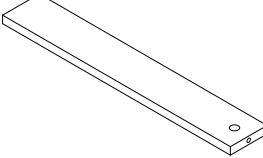
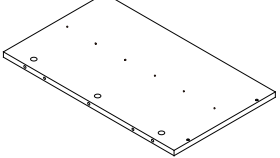
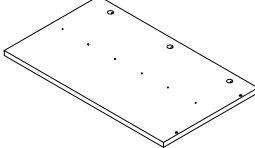
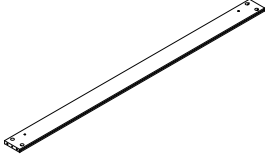
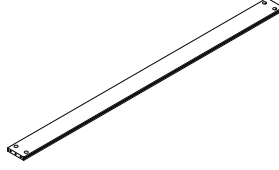
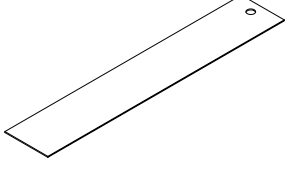
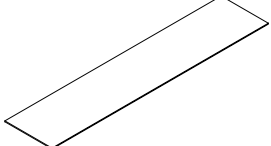
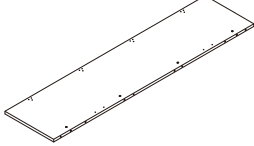
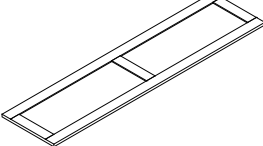
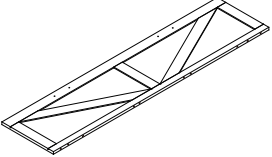
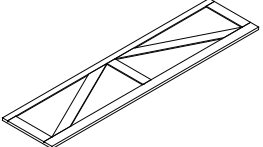
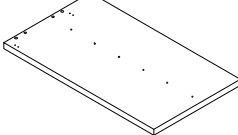
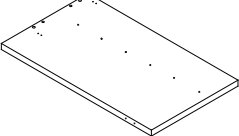
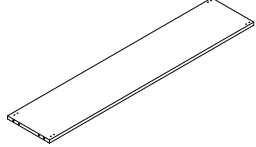
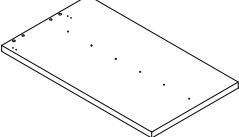
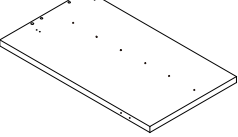
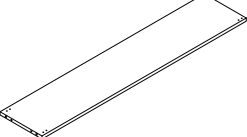
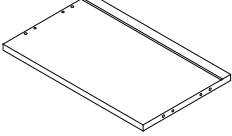
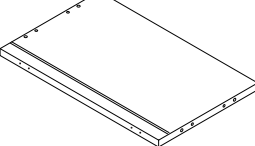
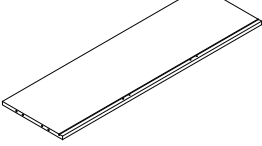
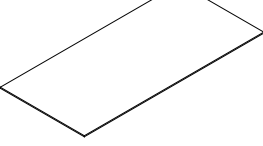
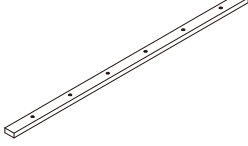
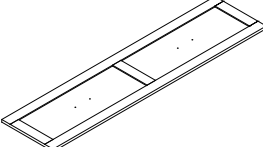
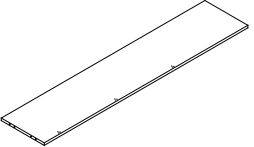
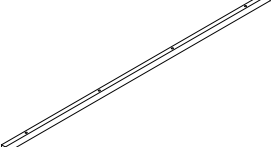
Our products are divided into two packages, box A and box B. If you only receive one package, please wait patiently. This is a list of parts for each box of products. If you have any questions, please contact us in time.



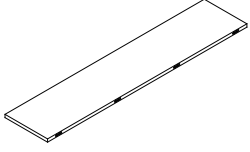
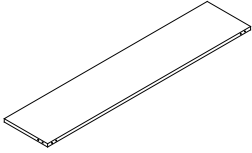
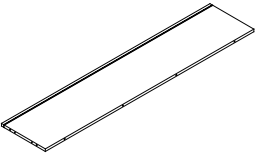
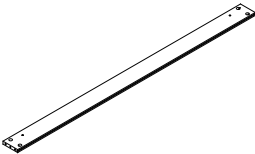
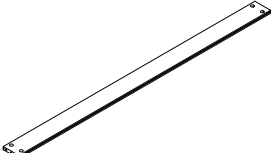
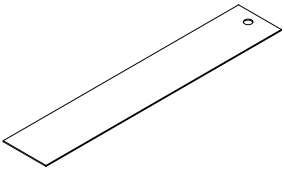
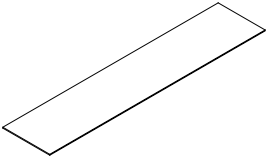
OR

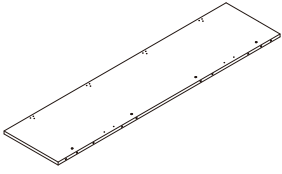
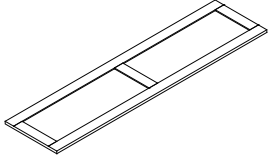
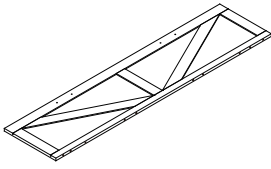
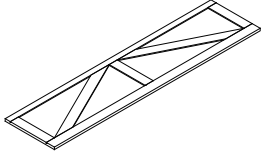
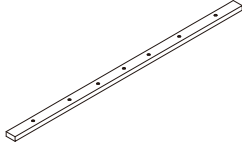
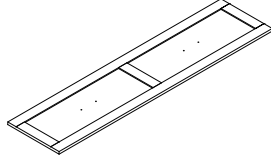
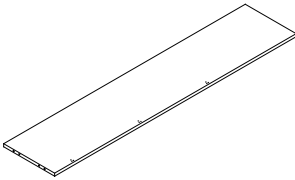
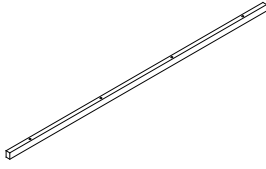


Parts and Operation Elements

			
① 1pc	② 1pc	③ 1pc	④ 1pc
			
⑤ 1pc	⑥ 2pcs	⑦ 2pcs	⑧ 1pc
			
⑨ 1pc	⑩ 1pc	⑪ 1pc	⑫ 1pc
			
⑬ 2pcs	⑭ 1pc	⑮ 1pc	⑯ 1pc
			
⑰ 1pc	⑱ 1pc	⑲ 1pc	⑳ 1pc
			
㉑ 1pc	㉒ 1pc	㉓ 1pc	㉔ 1pc
			
㉕ 1pc	㉖ 1pc	㉗ 1pc	㉘ 1pc
			
㉙ 1pc	㉚ 1pc	㉛ 1pc	

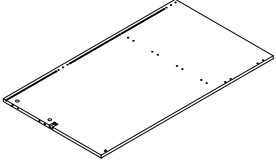
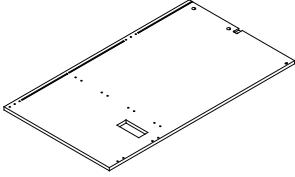
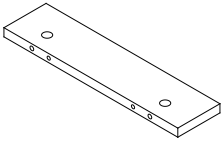
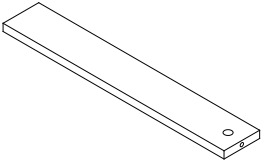
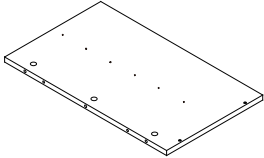
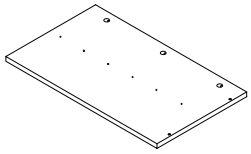
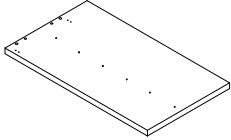
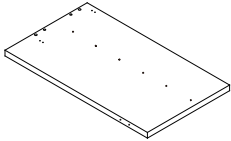
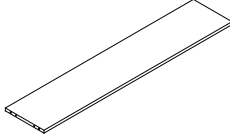
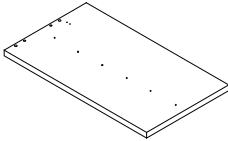
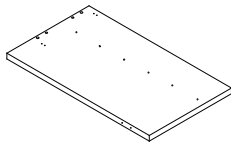
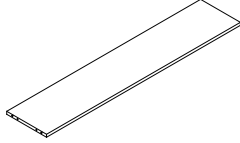
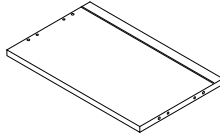
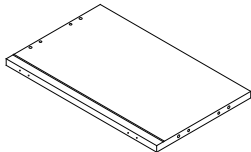
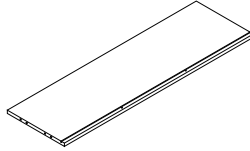
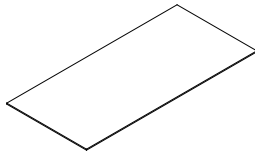
Installation & Assembly

①		x1
②		x1
③		x1
⑩		x1
⑪		x1
⑫		x1
⑬		x2

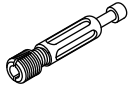

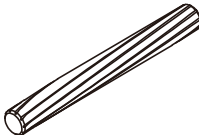
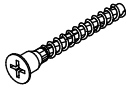

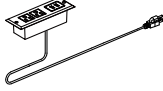
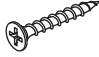
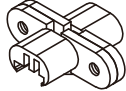
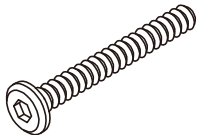

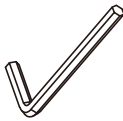
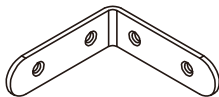
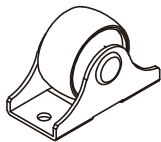
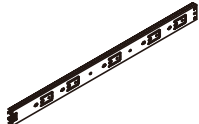




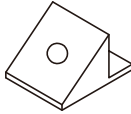


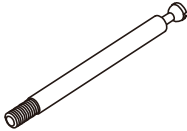
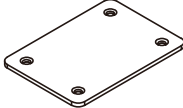
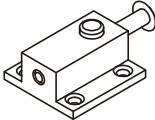
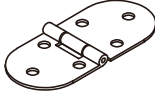

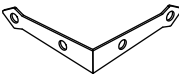

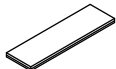
⑭		x1
⑮		x1
⑯		x1
⑰		x1
⑳		x1
㉑		x1
㉒		x1
㉓		x1

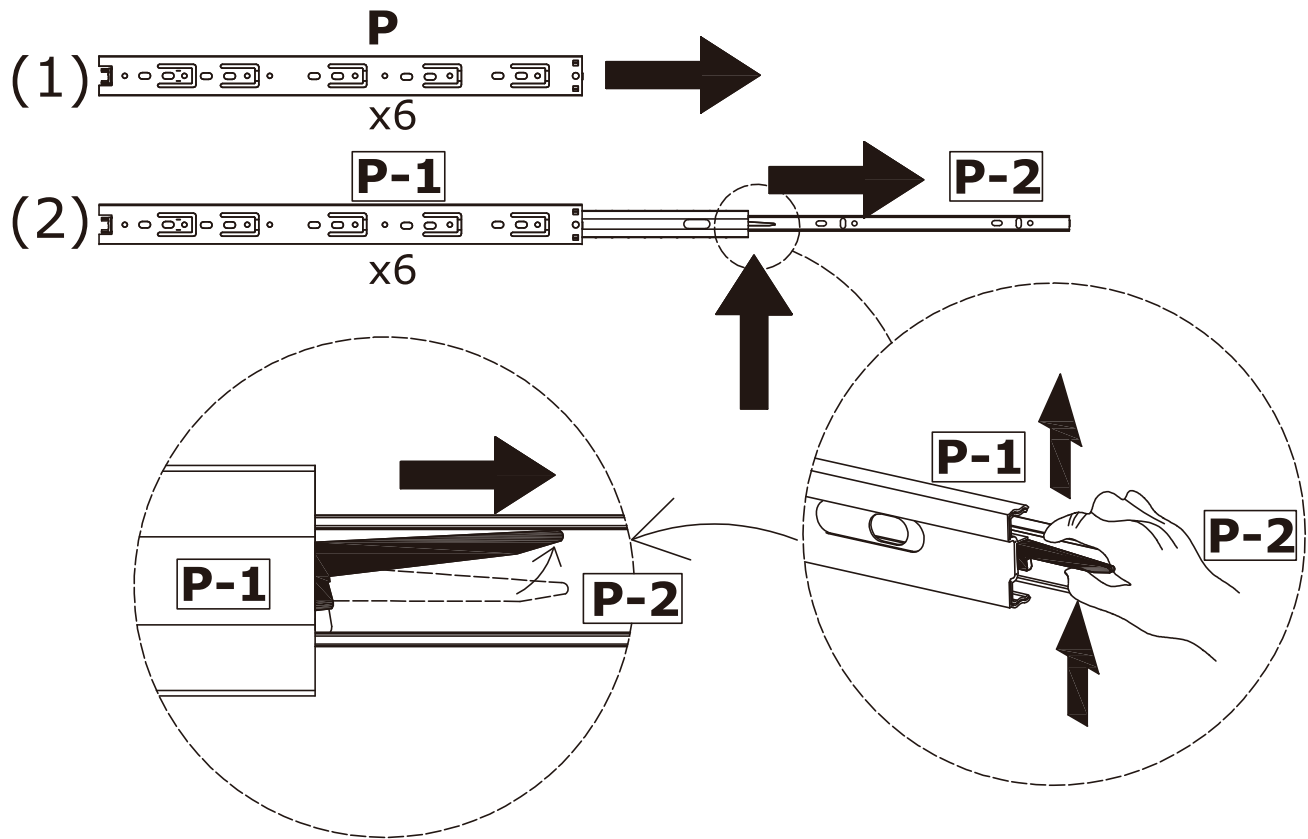
Installation & Assembly

Our products are divided into two packages, box A and box B. If you only receive one package, please wait patiently. This is a list of parts for each box of products. If you have any questions, please contact us in time.

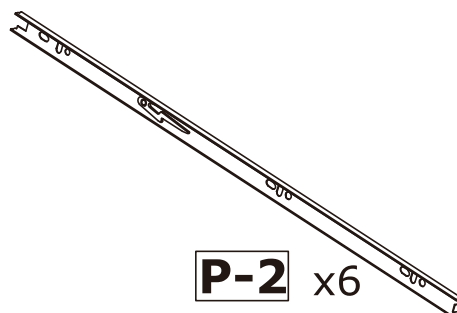
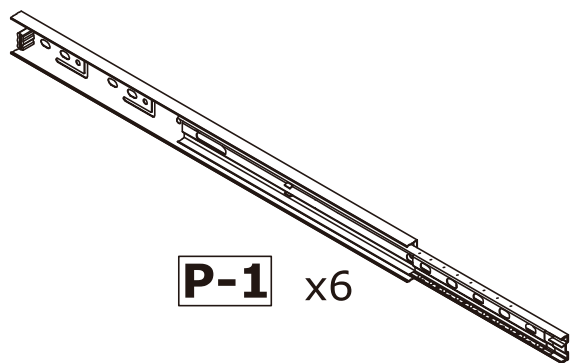
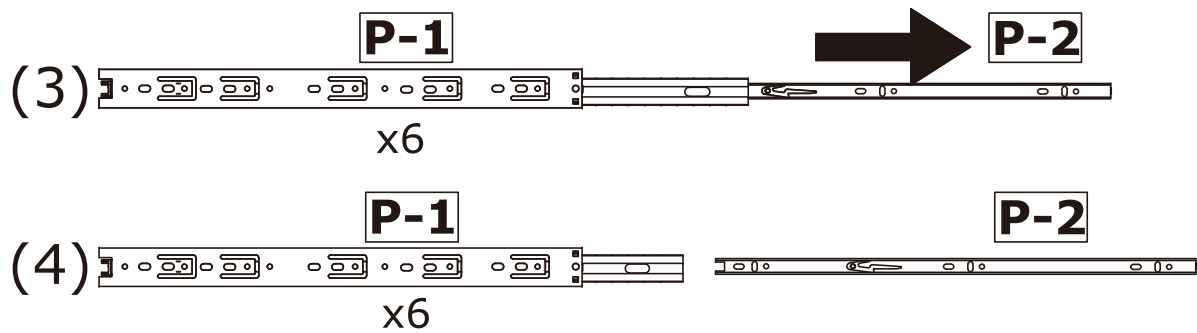
④		x1
⑤		x1
⑥		x2
⑦		x2
⑧		x1
⑨		x1
⑱		x1
⑲		x1
Hardware box		x1
⑳		x1
㉑		x1
㉒		x1
㉓		x1
㉔		x1
㉕		x1
㉖		x1
㉗		x1

Hardware




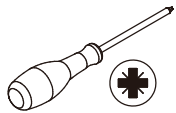
			
Cam Bolt	15x12mm Cam Lock	Ø8x40mm Dowel	M5x40mm Screw
(A) 36pcs ^{+2pcs}	(B) 48pcs ^{+2pcs}	(C) 62pcs ^{+2pcs}	(D) 8pcs ^{+2pcs}
			
Ø3.5 x 14 mm		Ø3.5 x 30 mm	
(E) 158pcs ^{+2pcs}	(F) 1pc	(G) 16pcs ^{+2pcs}	(H) 4pcs
			
Ø6 x 40 mm			
(J) 16pcs ^{+2pcs}	(K) 24pcs ^{+2pcs}	(L) 1pc	(M) 8pcs
			
		Ø4 x 25 mm	
(N) 8pcs	(P) 6pcs	(Q) 7pcs	(R) 4pcs
			
Ø4 x 16 mm	Ø3 x 16 mm		Ø4 x 22 mm
(S) 4pcs	(T) 18pcs ^{+2pcs}	(U) 18pcs ^{+2pcs}	(V) 4pcs
			
(W) 48pcs ^{+2pcs}	(X) 12pcs ^{+2pcs}	(Z) 4pcs	(a) 2pcs
			
	Ø3 x 12 mm		M4x14mm Screw
(b) 8pcs	(e) 2pcs	(f) 2pcs	(g) 24pcs ^{+2pcs}
			
(h) 16pcs ^{+2pcs}			

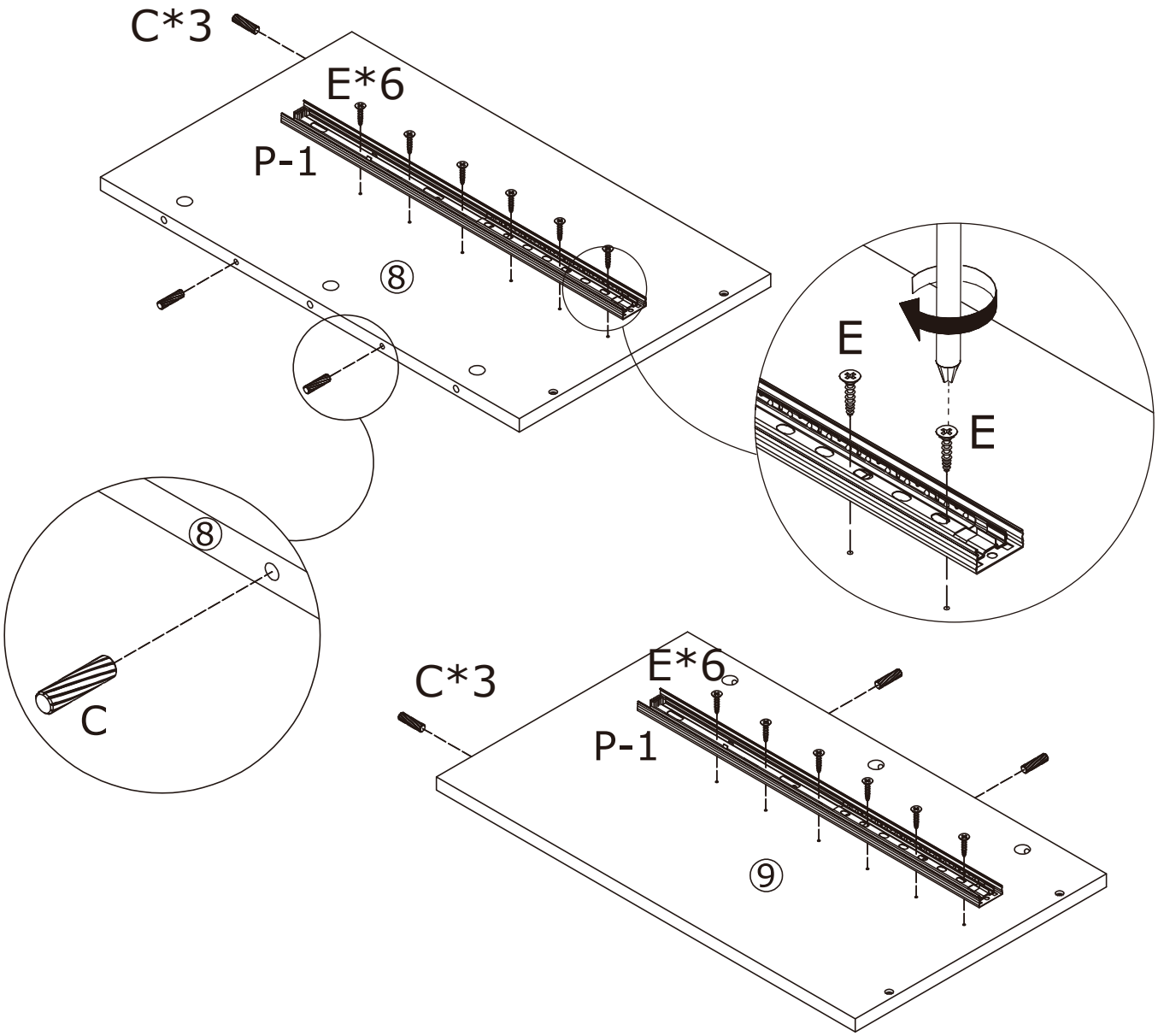
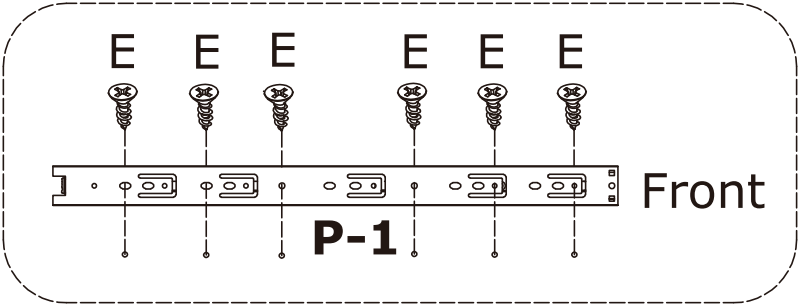
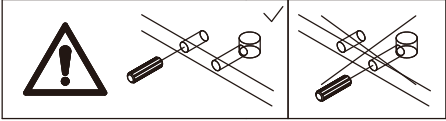


Move the black paddle upward and pull out (P-2) to the right.

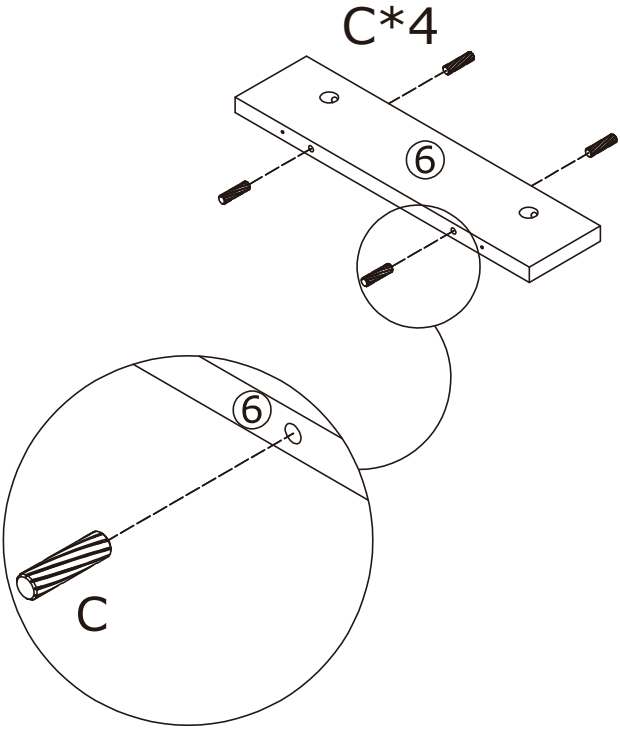
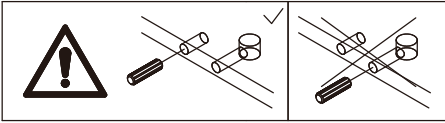
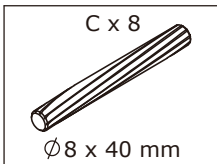


1

<p>C x 6</p>  <p>Ø8 x 40 mm</p>	<p>E x 12</p>  <p>Ø3.5 x 14 mm</p>	<p>(P-1) x 2</p> 	
--	---	--	---

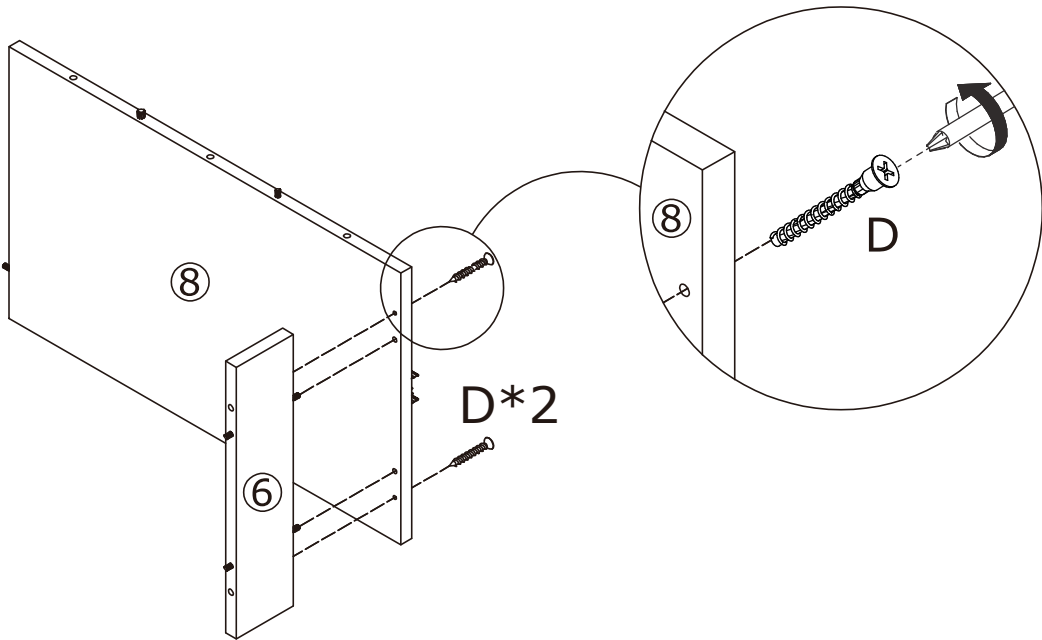
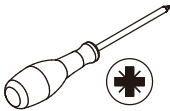
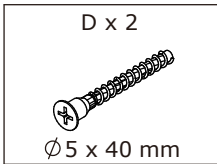


2

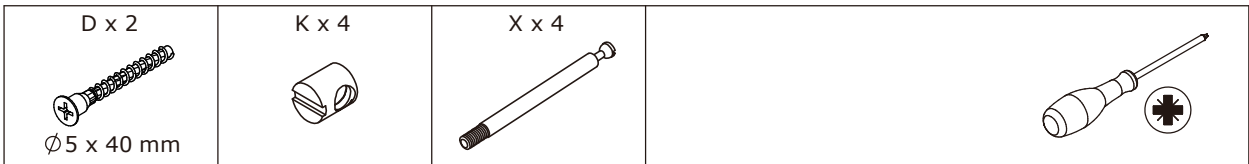


X2

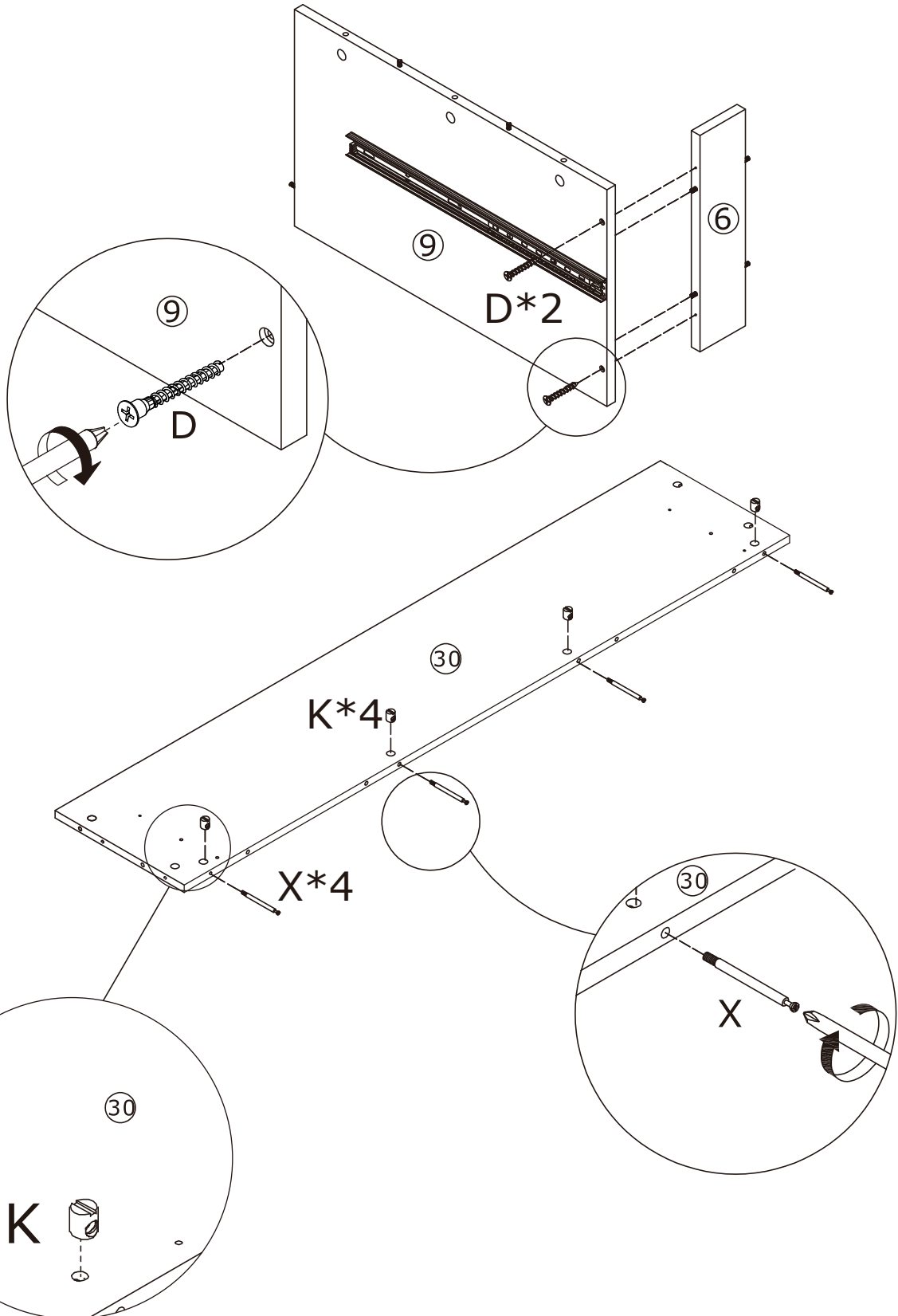
3



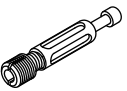



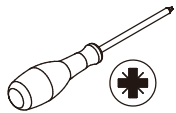
4

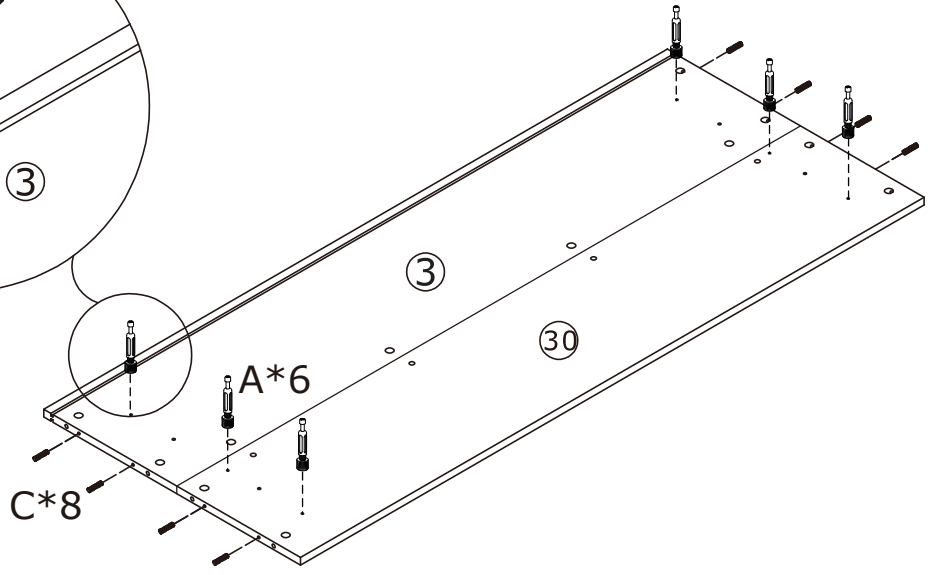
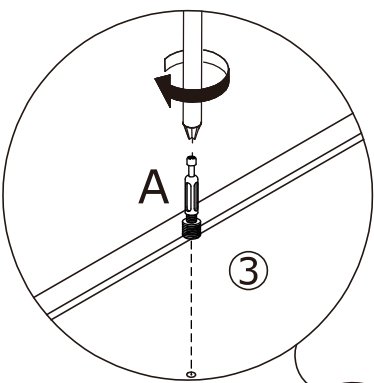
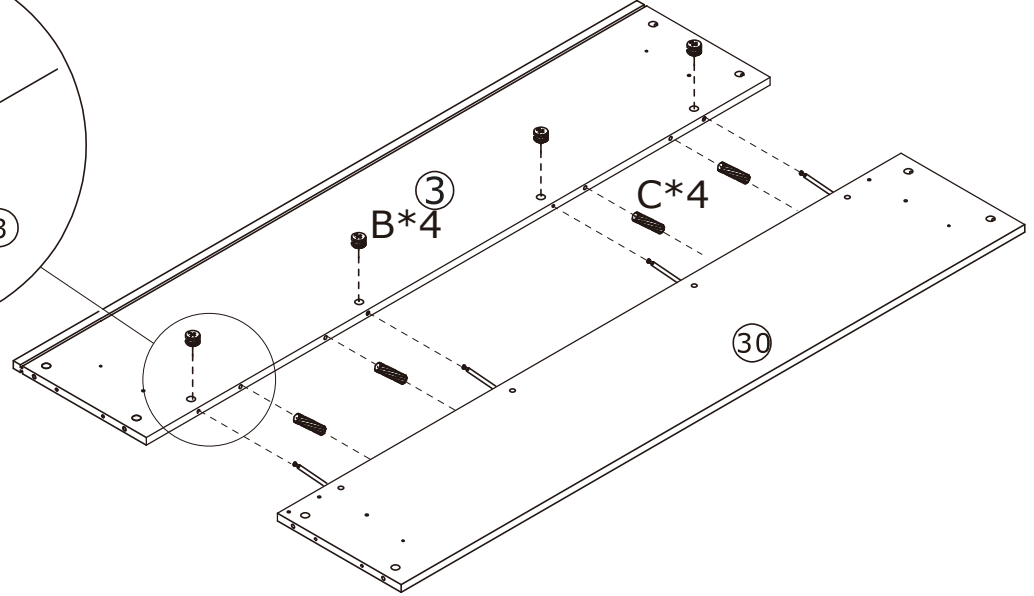
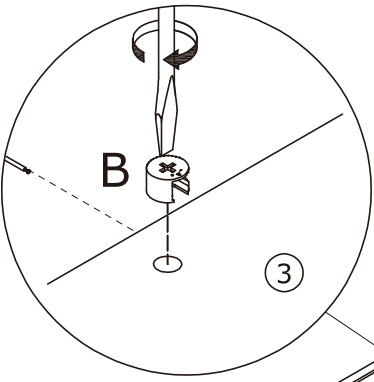
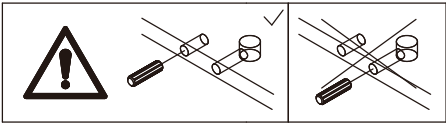
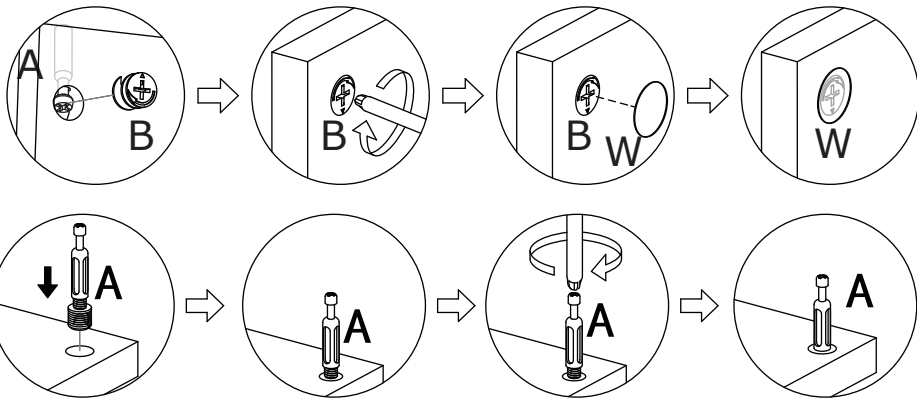


X Screw rotates to the right until dead



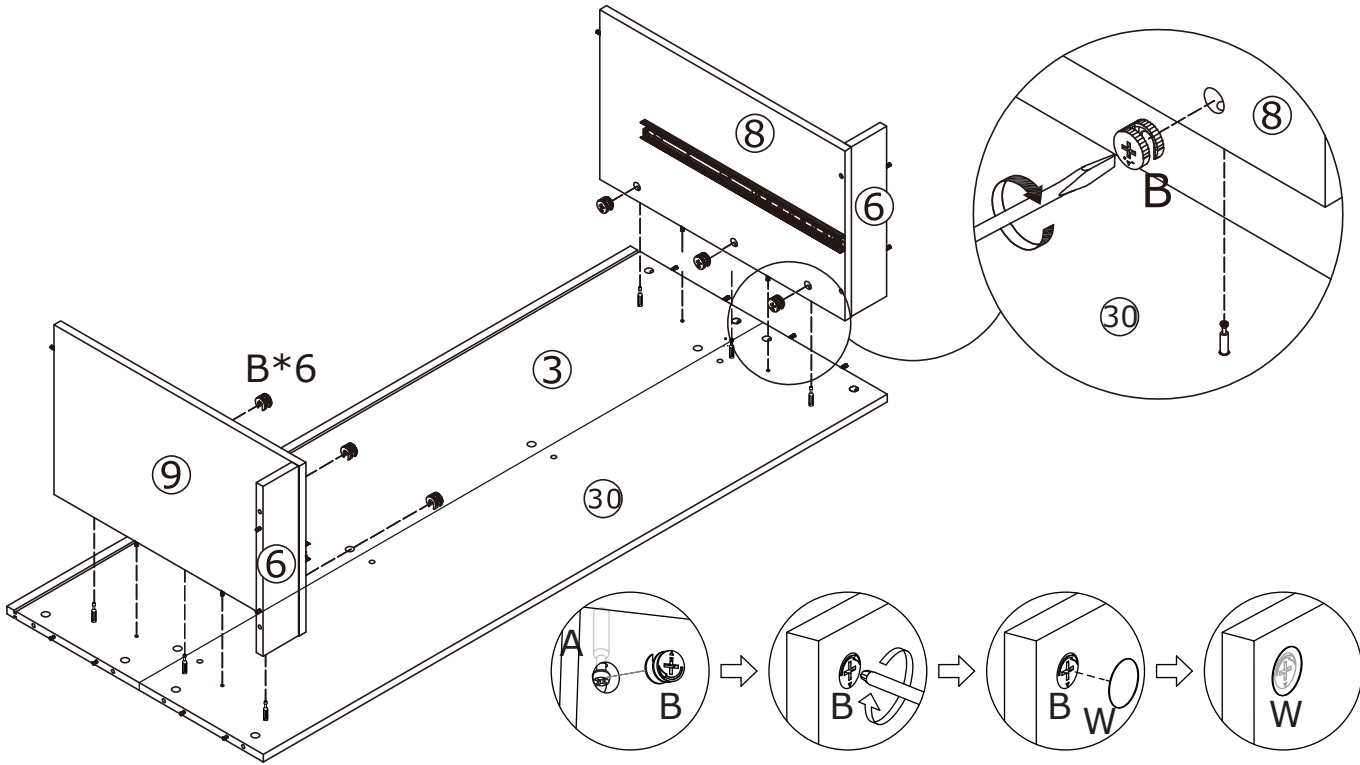
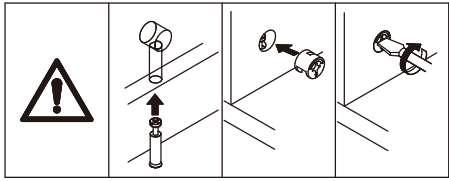
5

A x 6 	B x 4  Ø15 x 12 mm	C x 12  Ø8 x 40 mm	W x 4 	
--	---	---	--	---



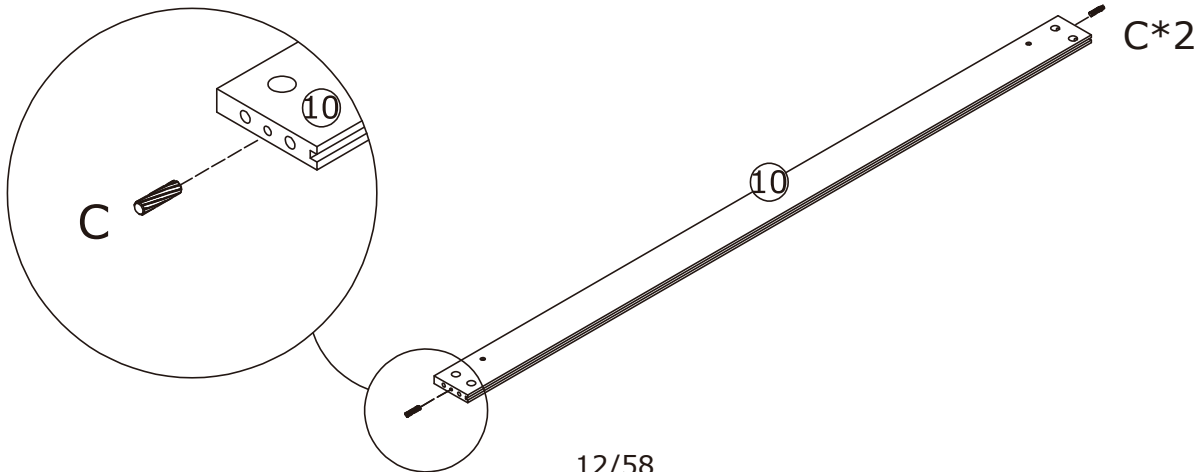
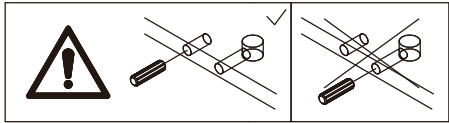
6

<p>B x 6</p>  <p>Ø15 x 12 mm</p>	<p>W x 6</p> 	 
---	--	---



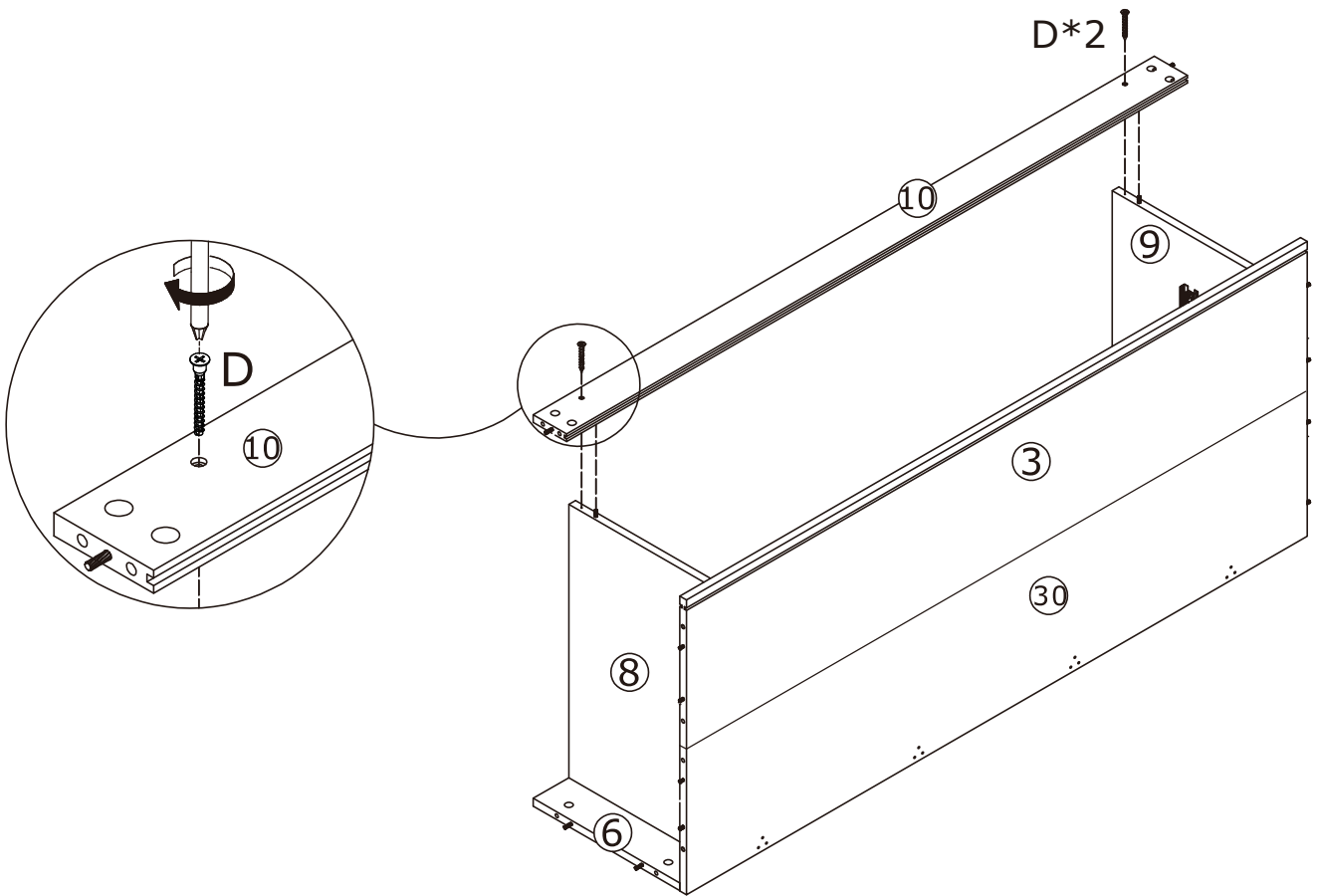
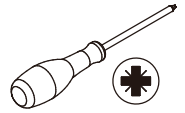
7

<p>C x 2</p>  <p>Ø8 x 40 mm</p>	
--	--



8

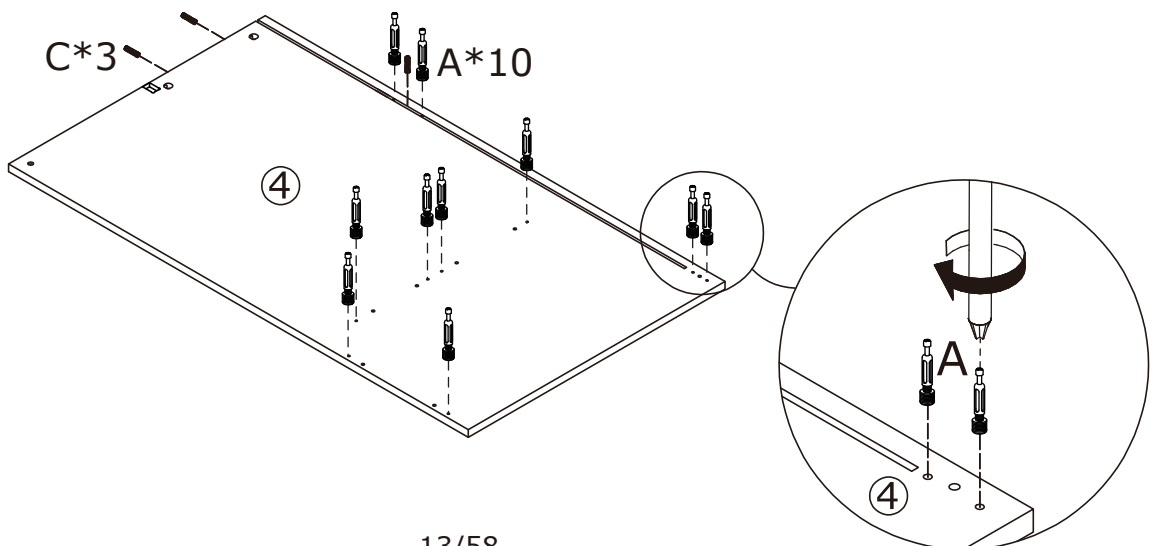
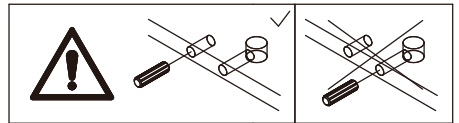
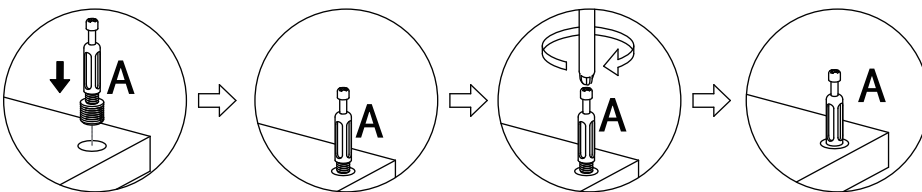
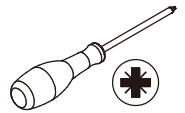
D x 2
Ø 5 x 40 mm



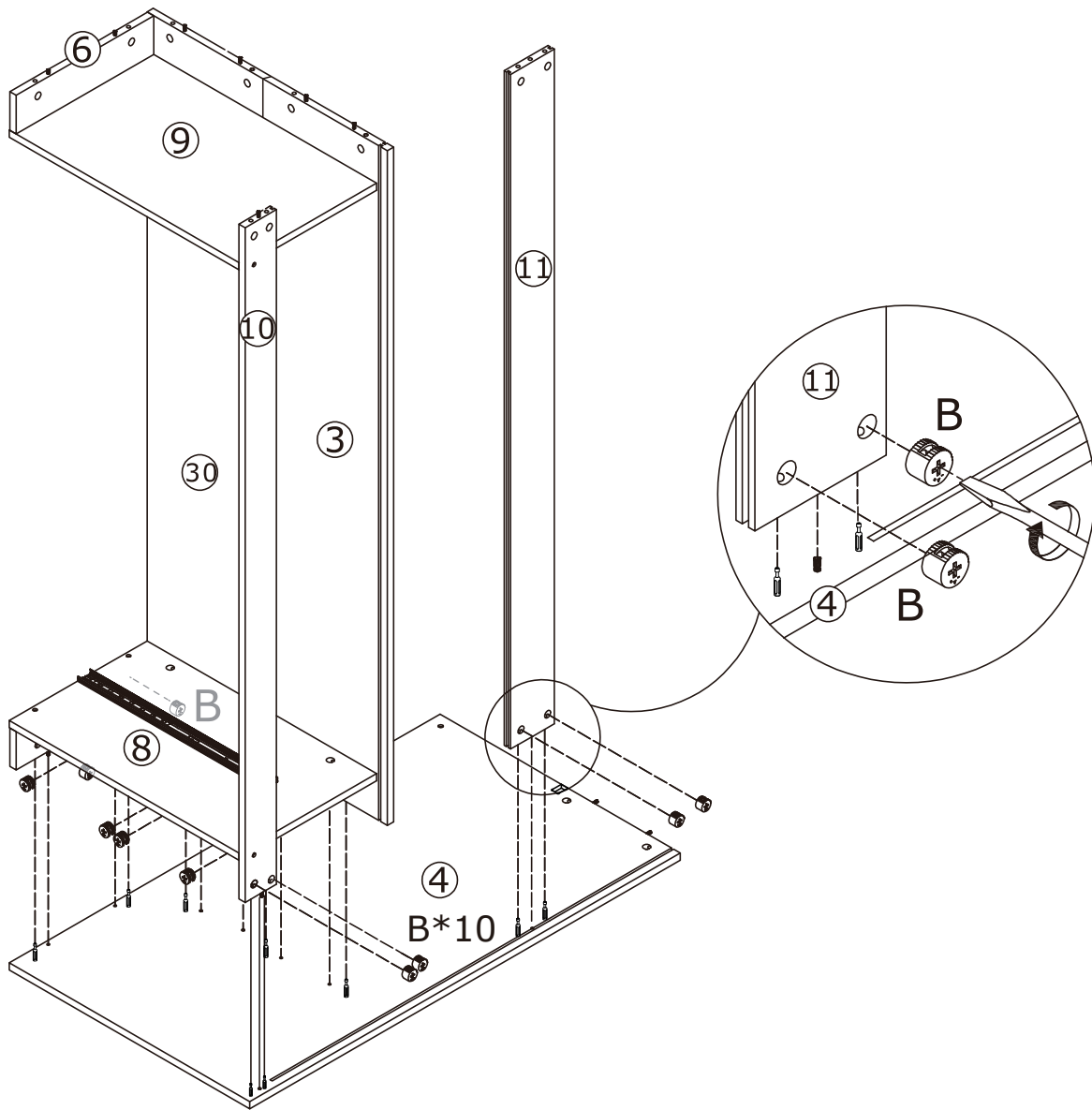
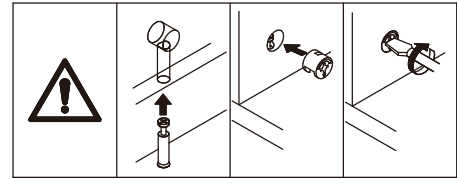
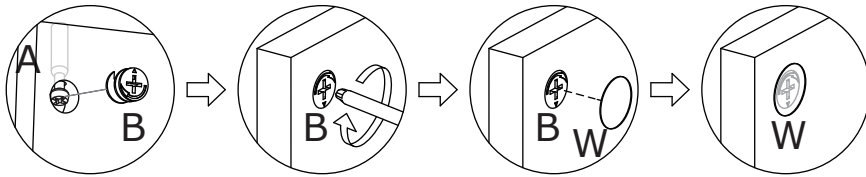
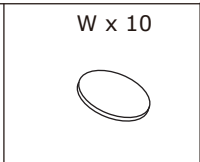
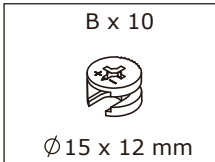
9

A x 10

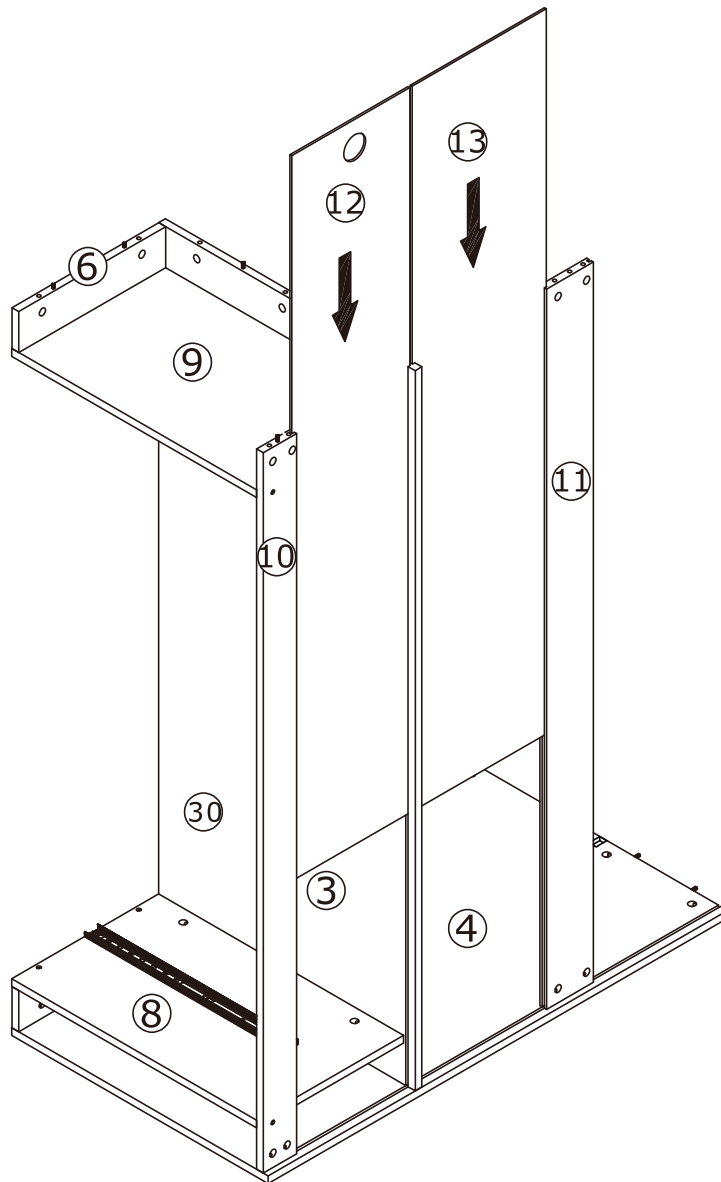
C x 3
Ø 8 x 40 mm



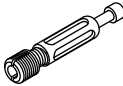



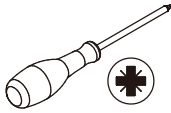
10

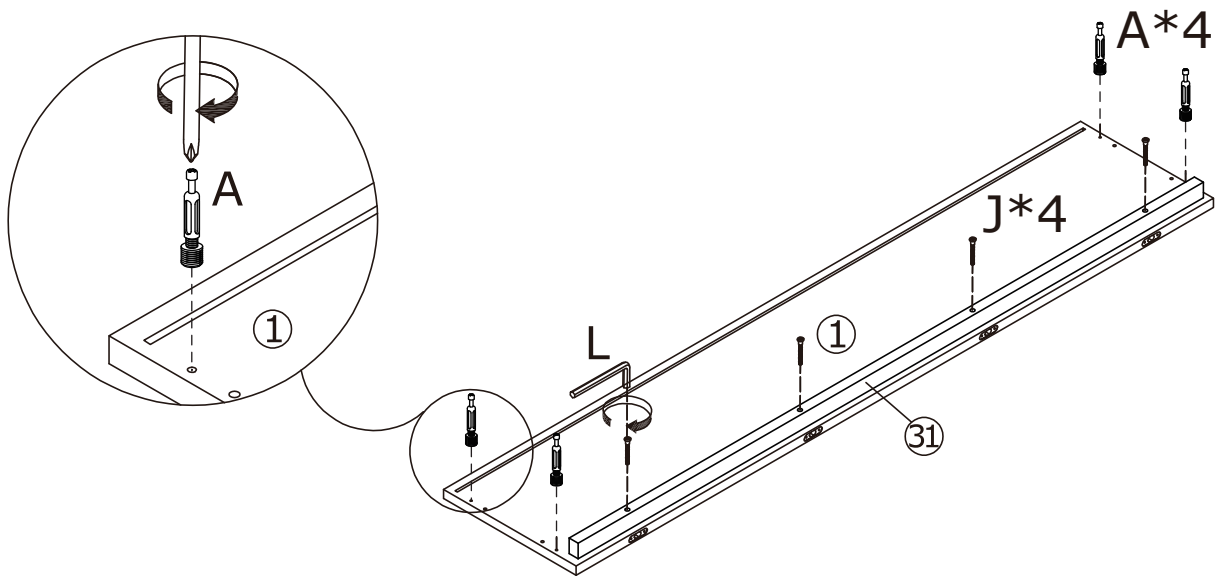
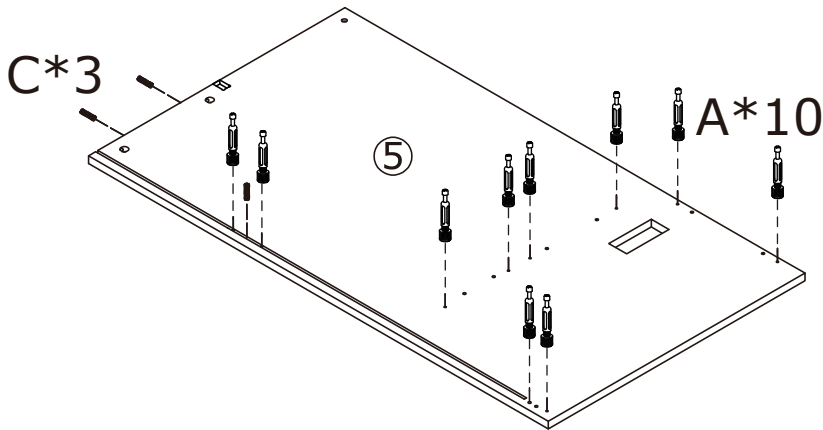
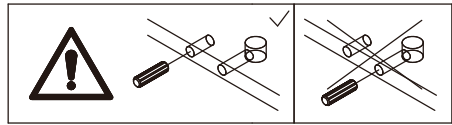
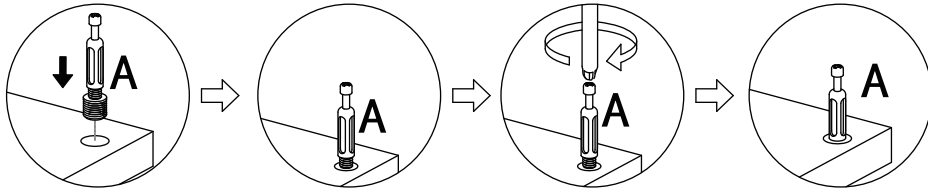


11

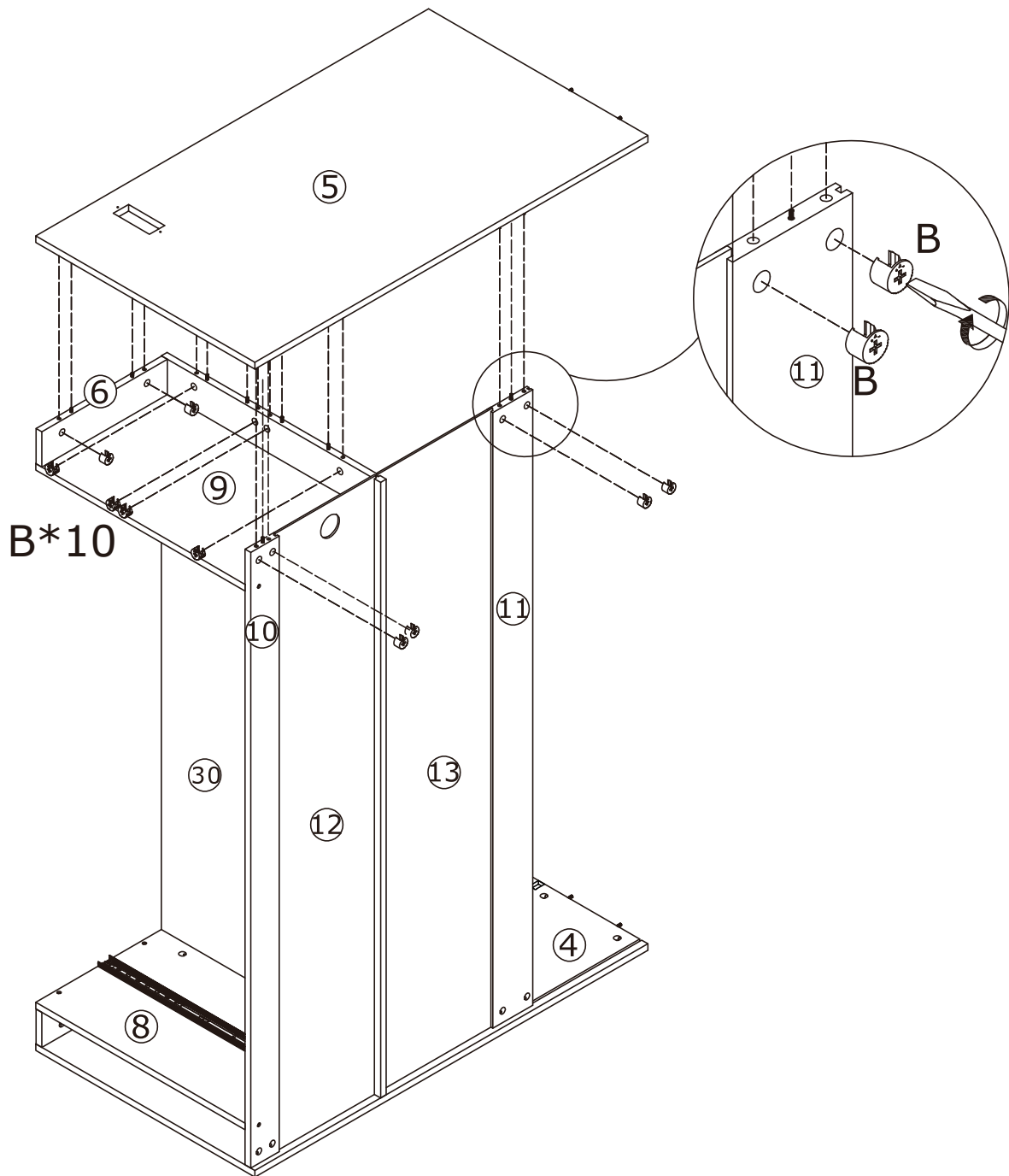
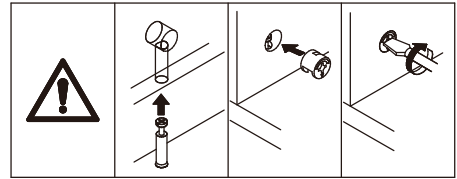
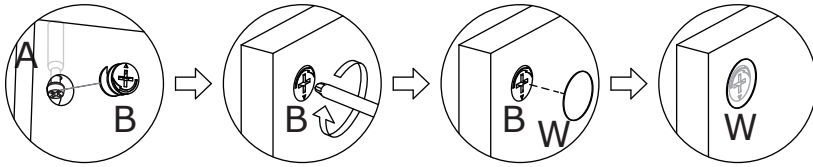
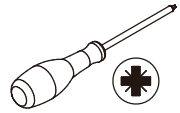
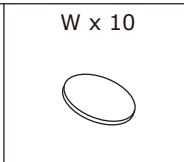
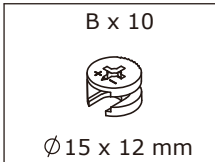


12


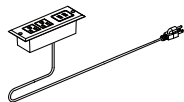
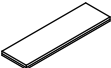
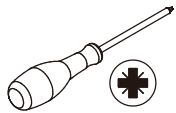
<p>A x 14</p> 	<p>C x 3</p> <p>Ø8 x 40 mm</p> 	<p>J x 4</p> <p>Ø6 x 40 mm</p> 	<p>L x 1</p> 	
---	--	--	---	---

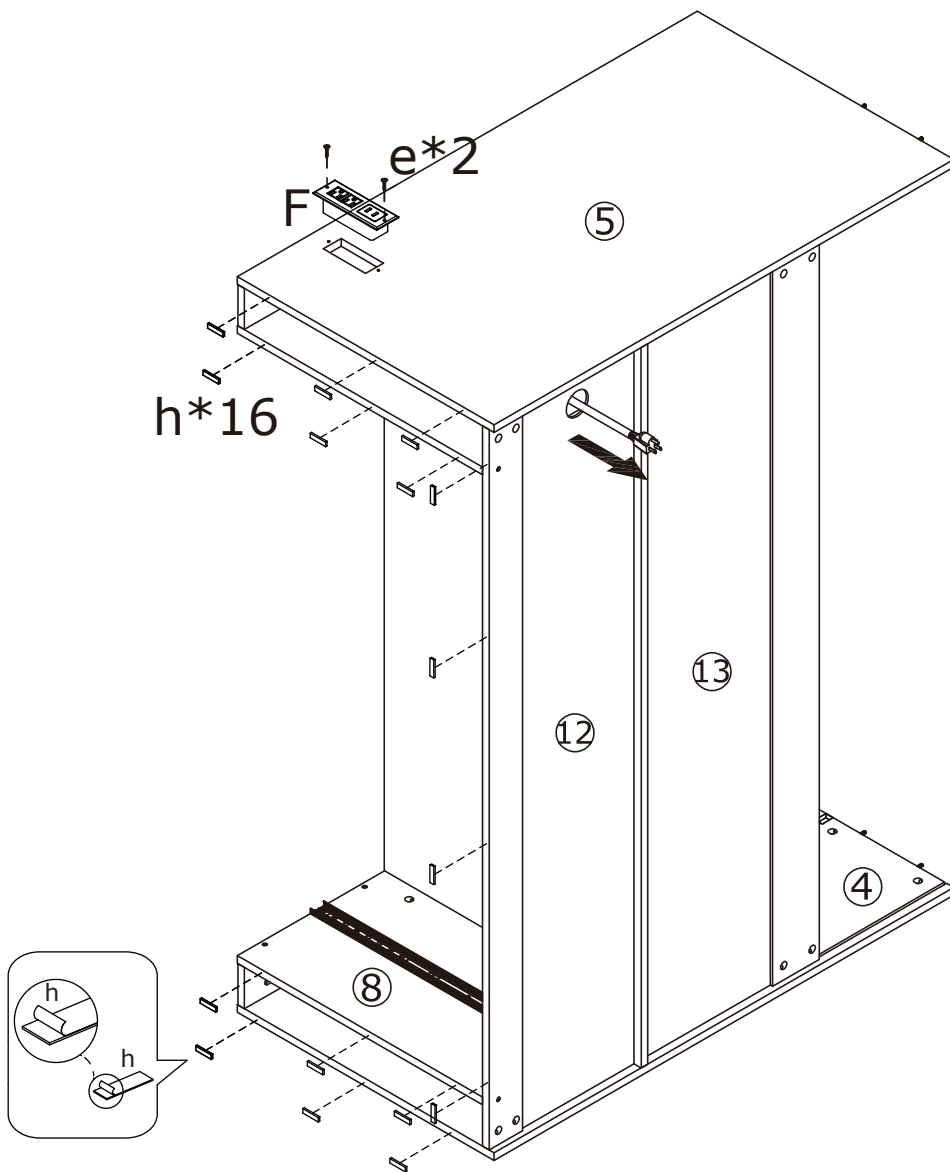


13

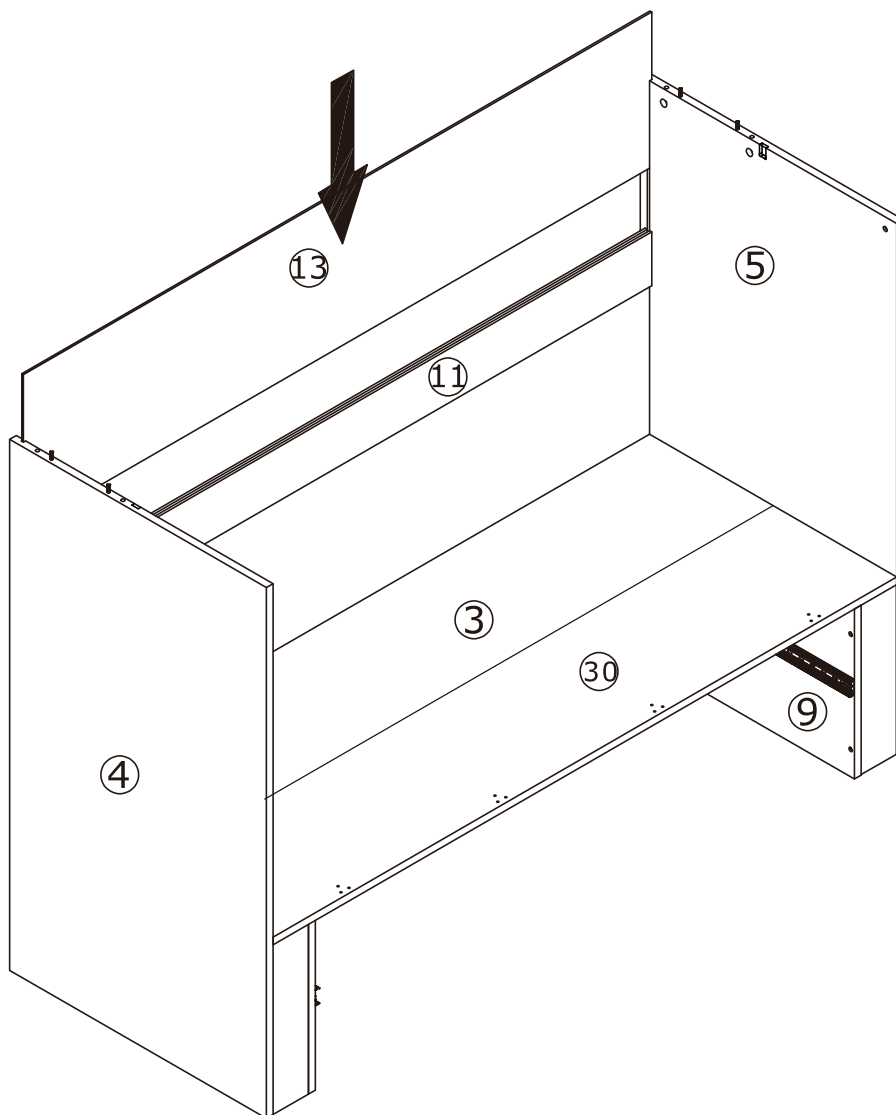


14




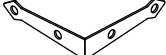
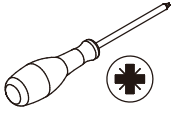
<p>e x 2</p>  <p>Ø3 x 12 mm</p>	<p>F x 1</p> 	<p>h x 16</p> 	
--	--	---	---

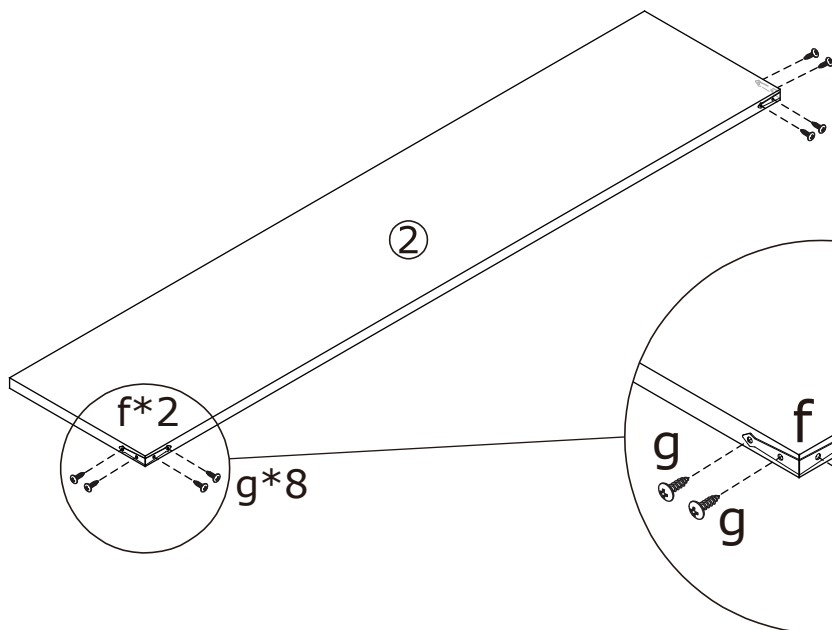
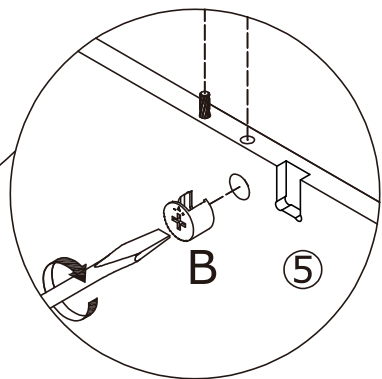
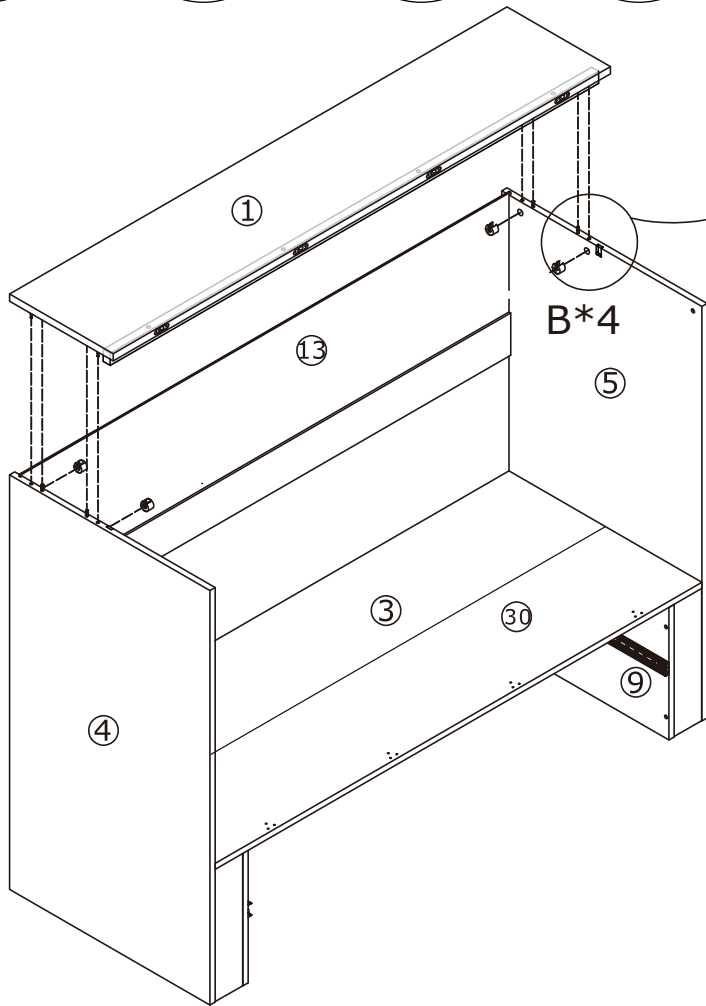
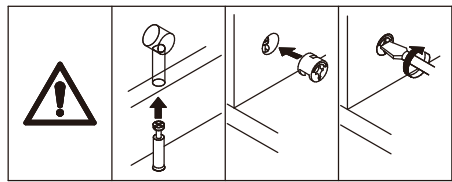
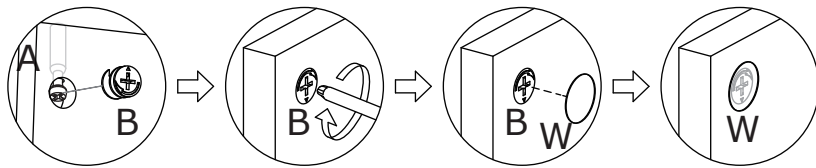


15

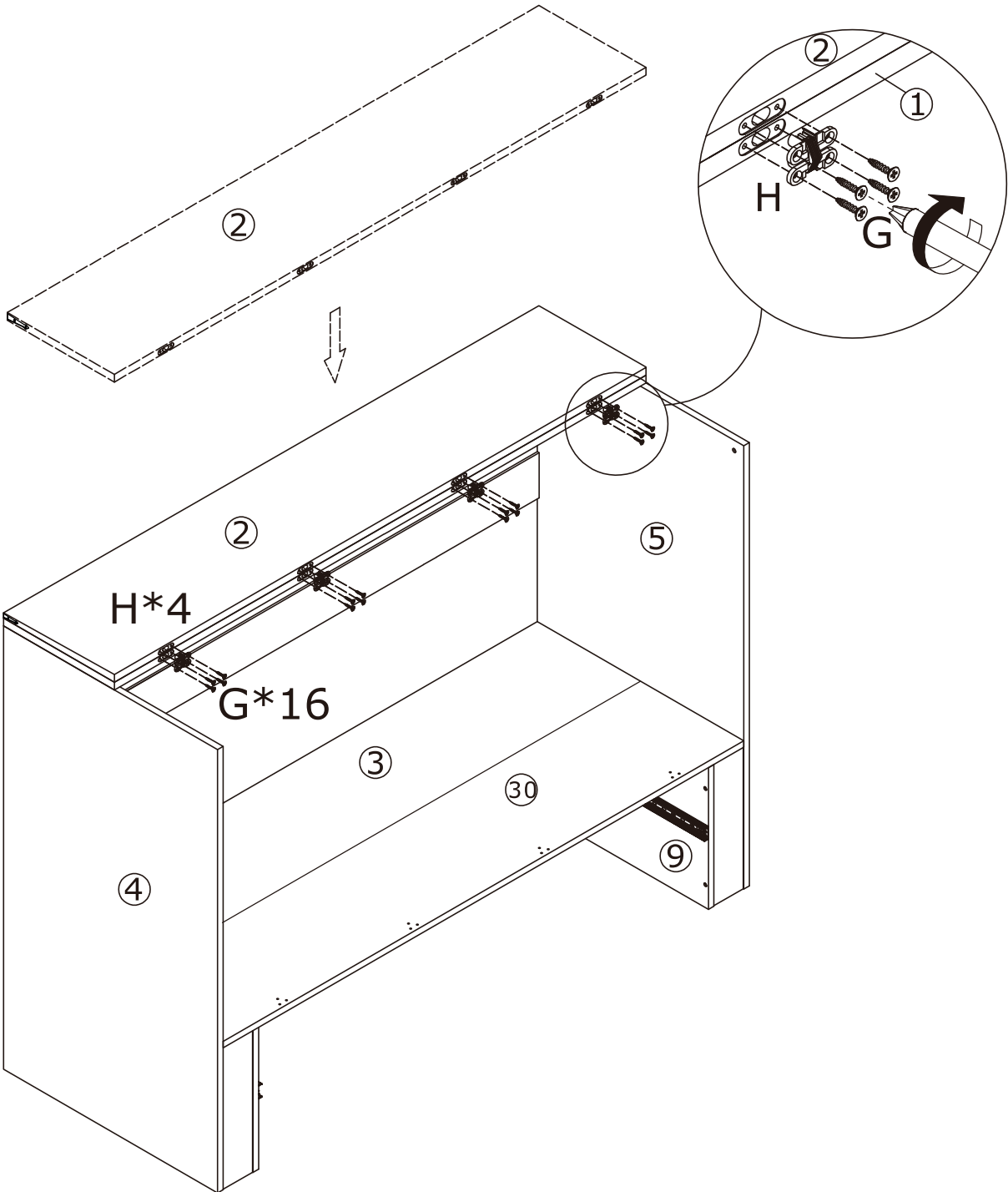
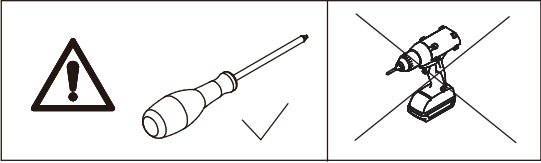
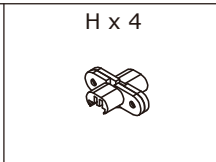
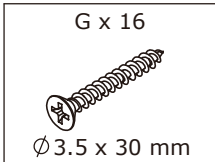


16

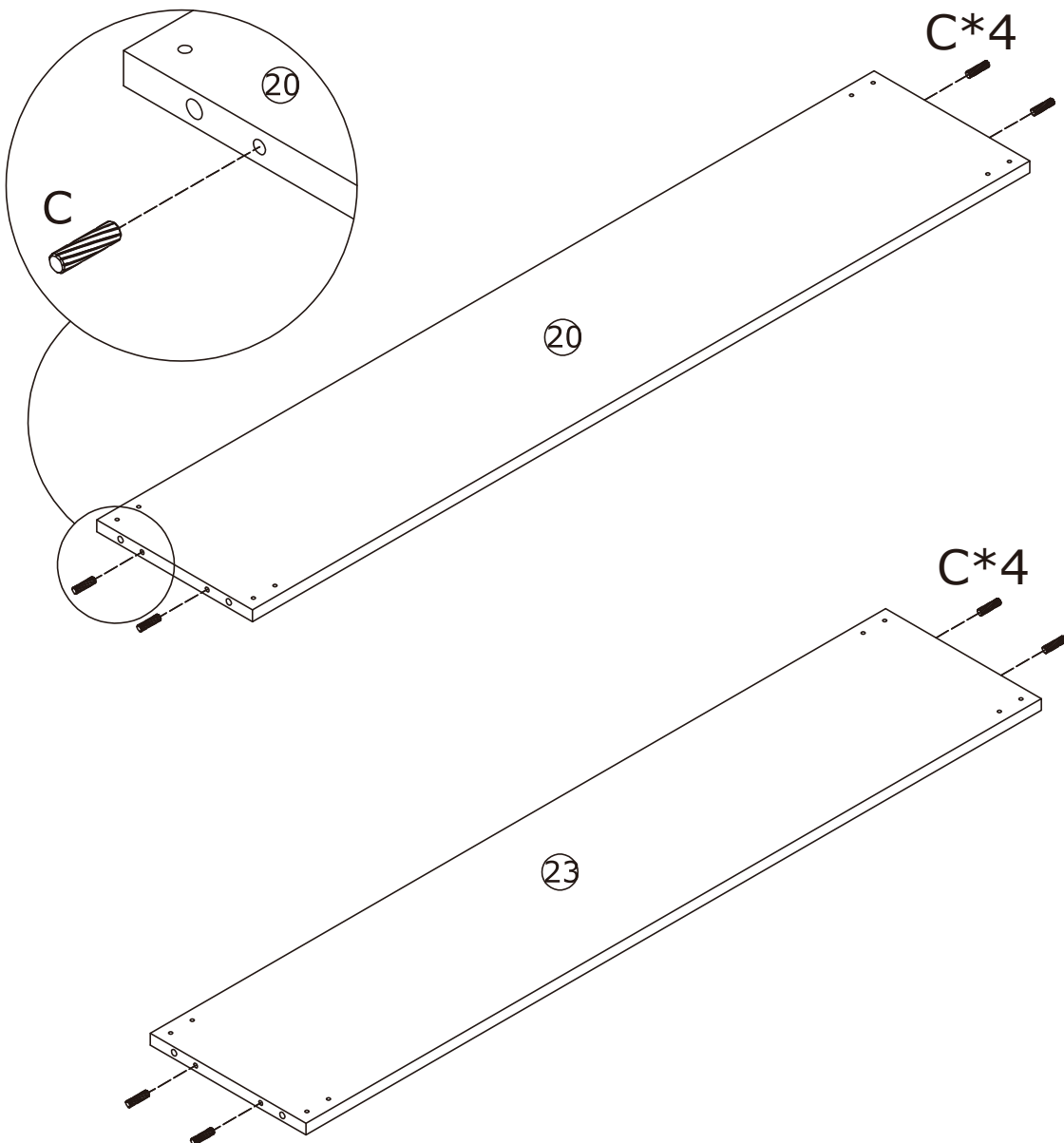
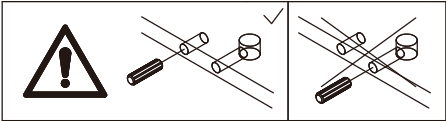
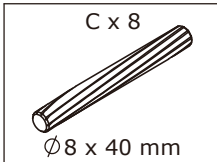
$B \times 4$  $\varnothing 15 \times 12 \text{ mm}$	$W \times 4$ 	$g \times 8$  $\varnothing 4 \times 14 \text{ mm}$	$f \times 2$ 	
--	---	---	--	---



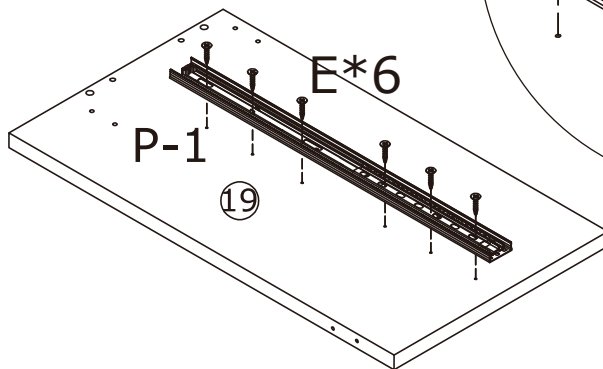
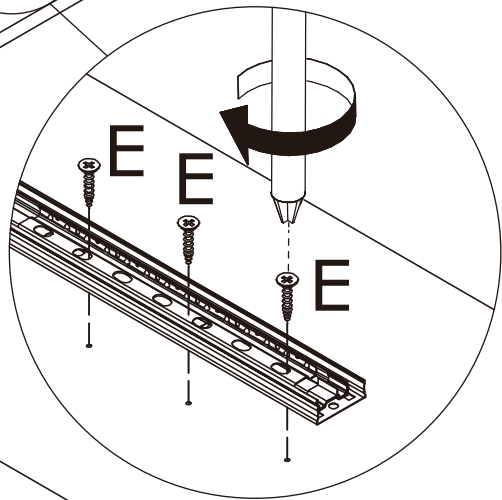
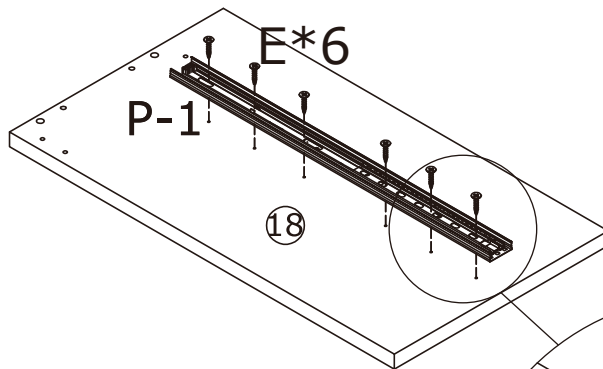
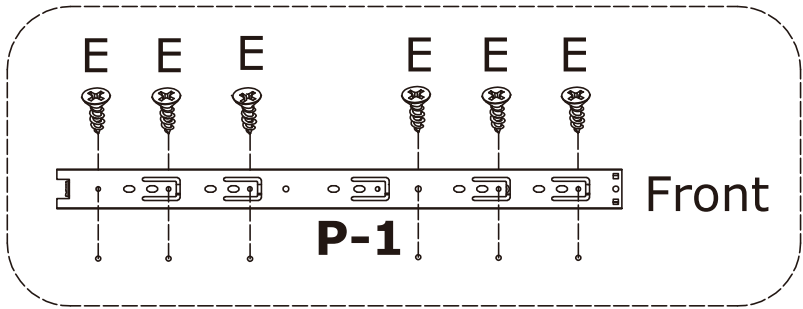
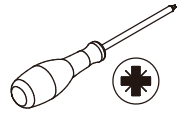
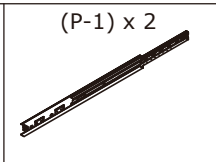
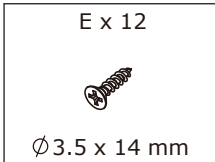
17



18

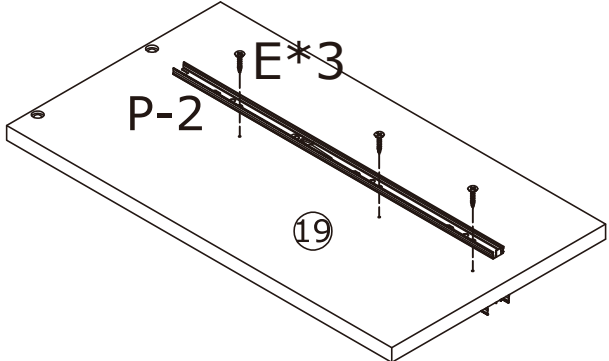
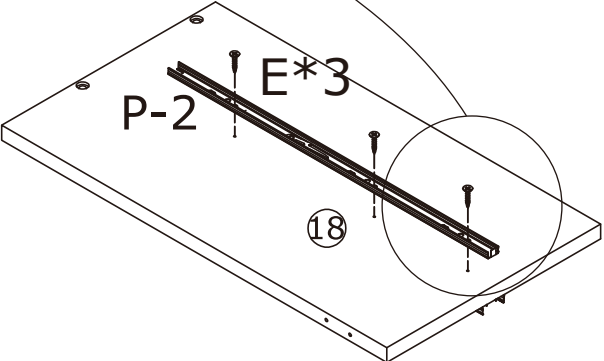
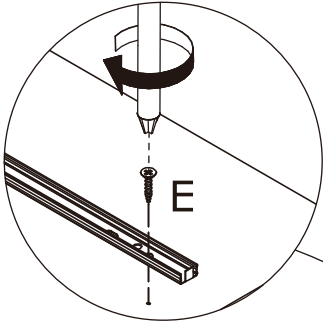
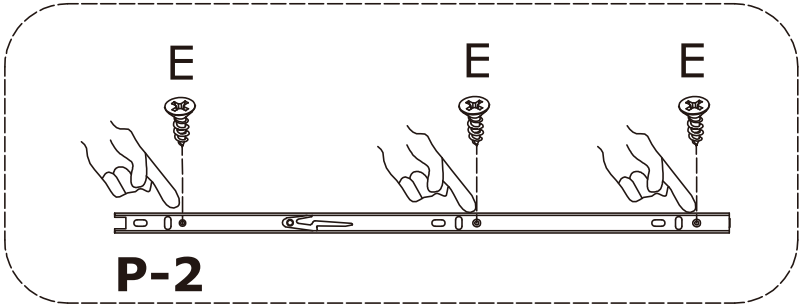


19




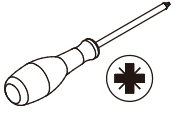


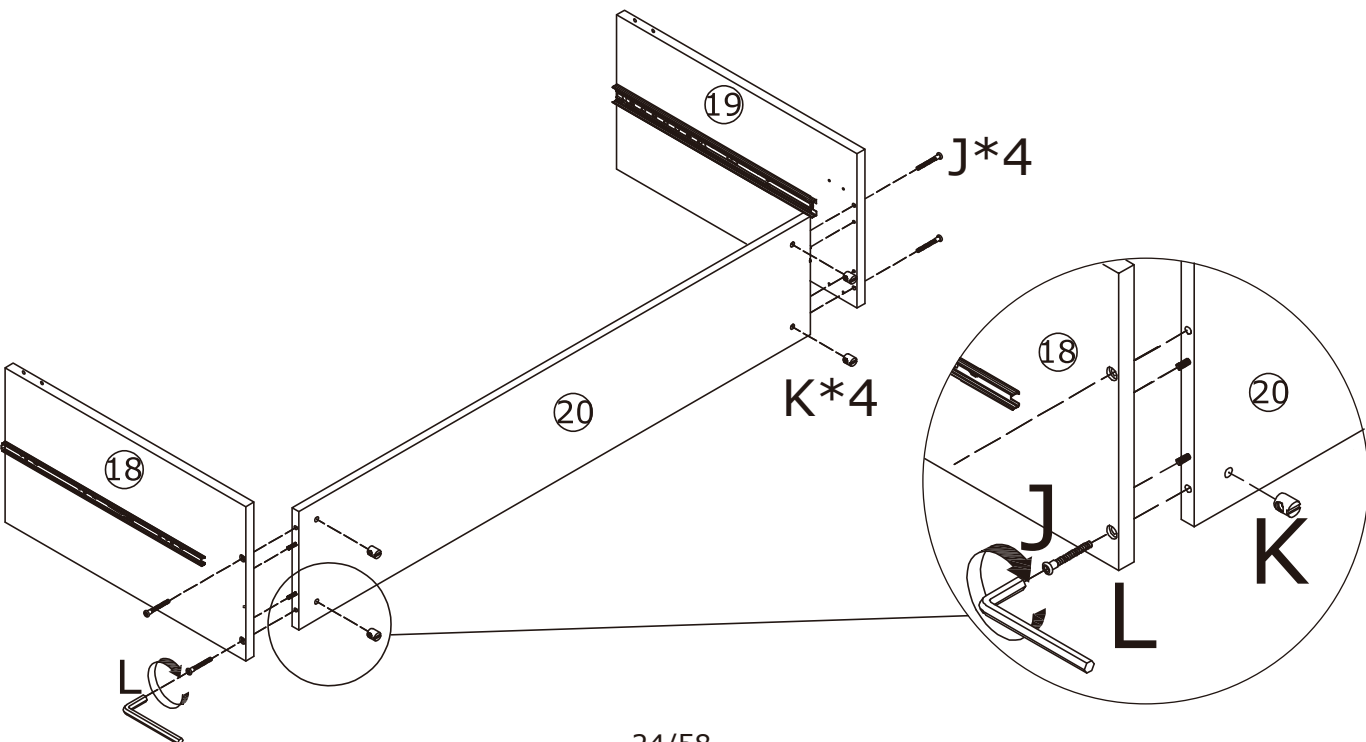
20

E x 6  Ø 3.5 x 14 mm	(P-2) x 2 	
---	--	---



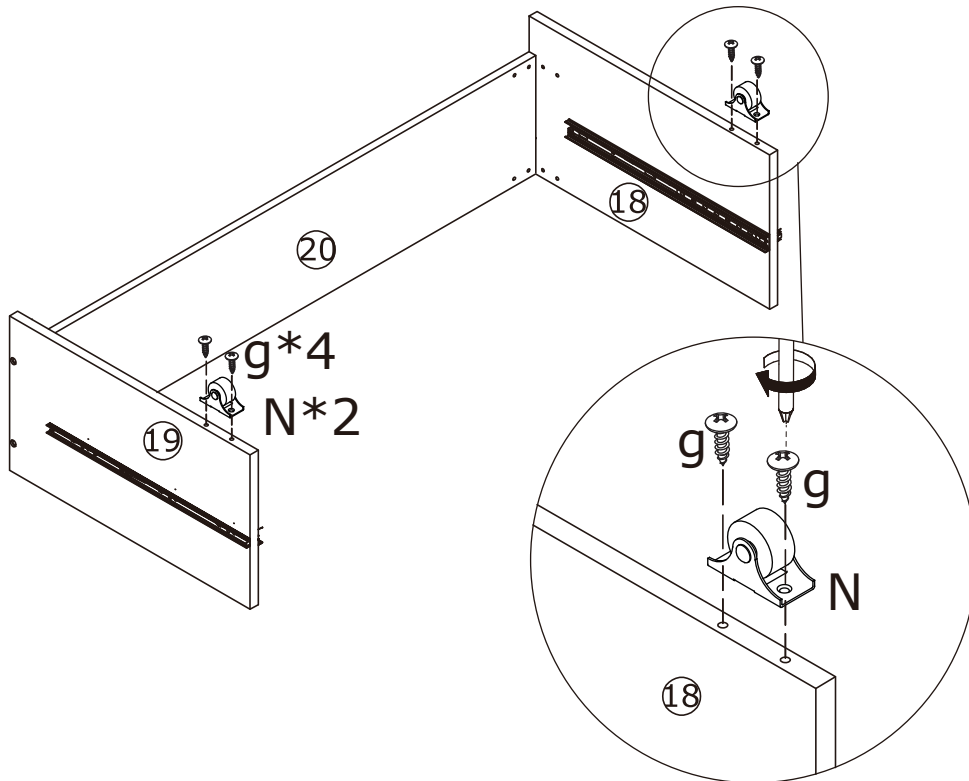
21

J x 4  Ø 6 x 40 mm	K x 4 	L x 1 	
---	--	--	---





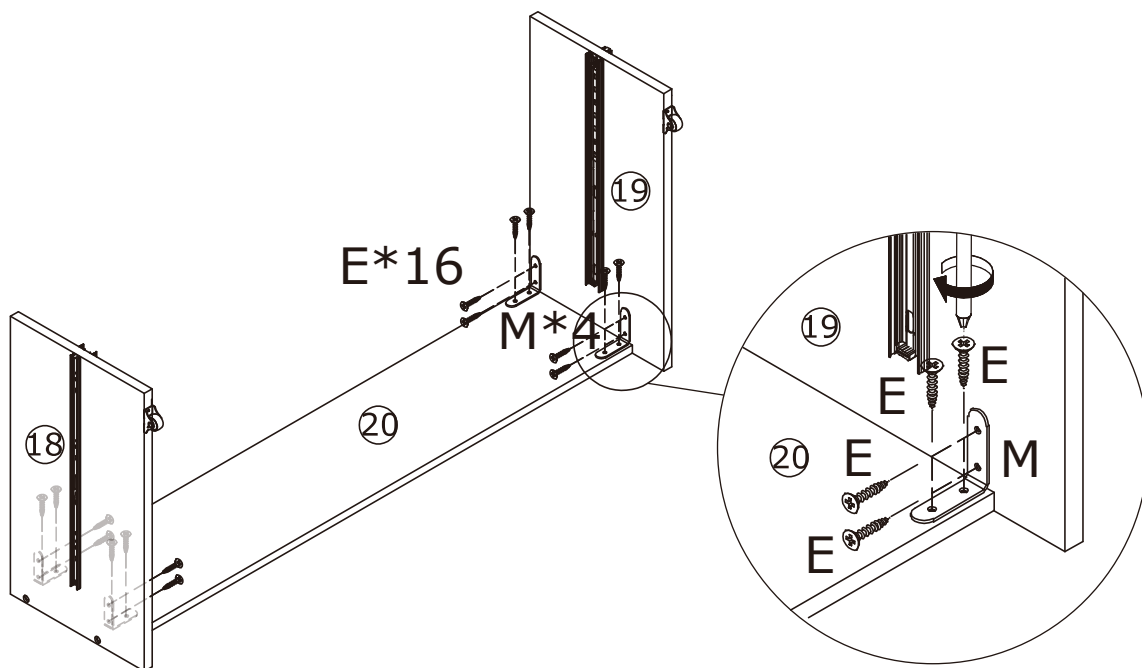
22

<p>g x 4</p>  <p>Ø4 x 14 mm</p>	<p>N x 2</p> 	
--	--	---

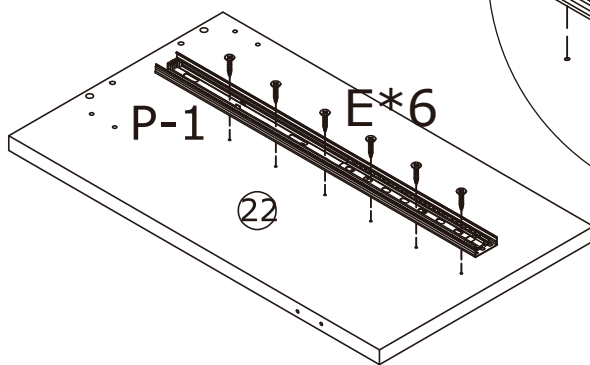
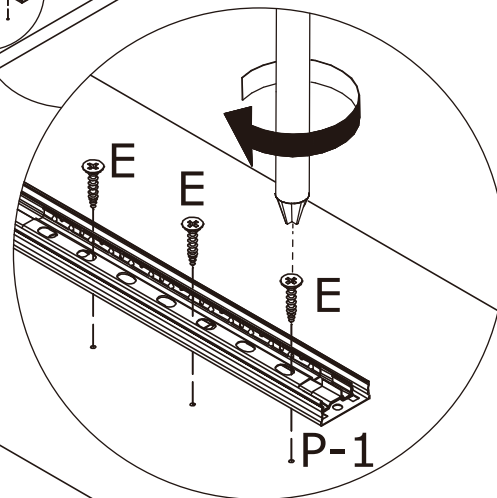
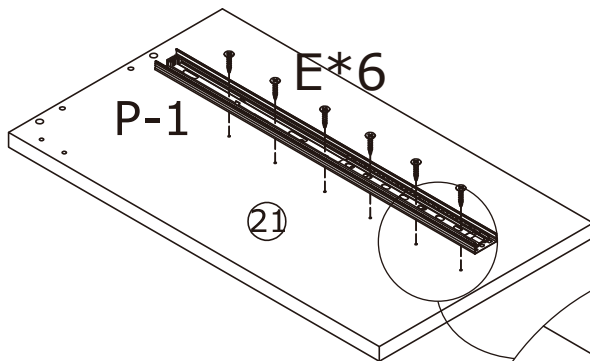
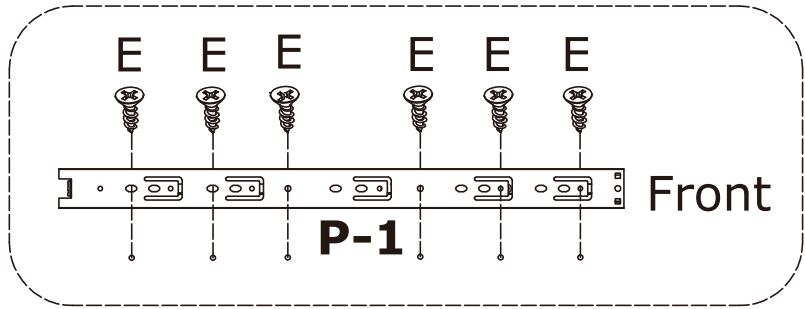
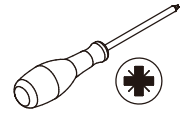
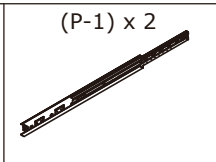
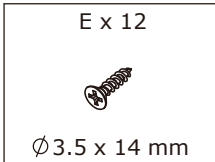


23

<p>M x 4</p> 	<p>E x 16</p>  <p>Ø3.5 x 14 mm</p>	
--	---	---

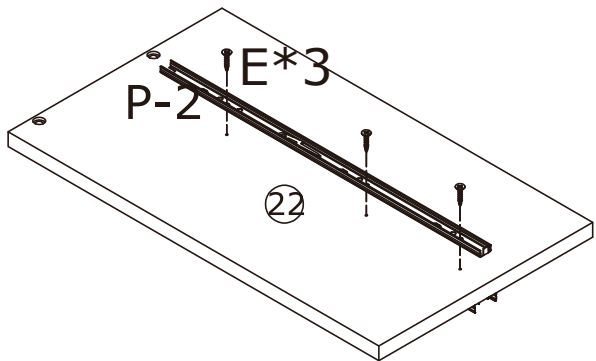
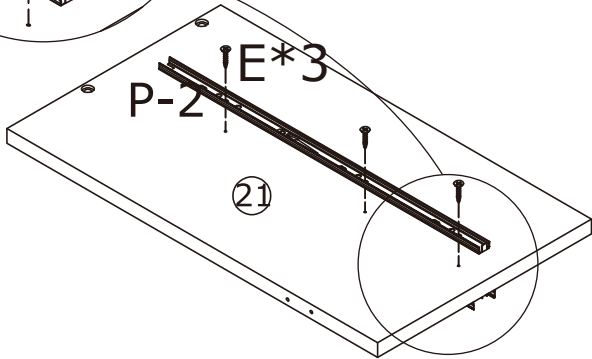
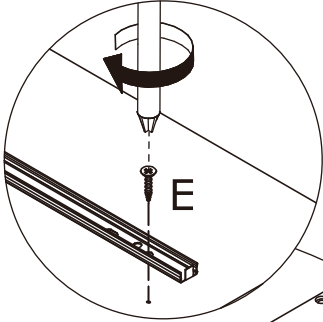
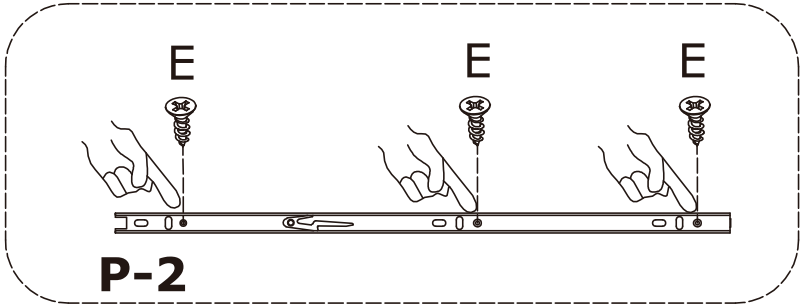


24




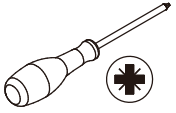


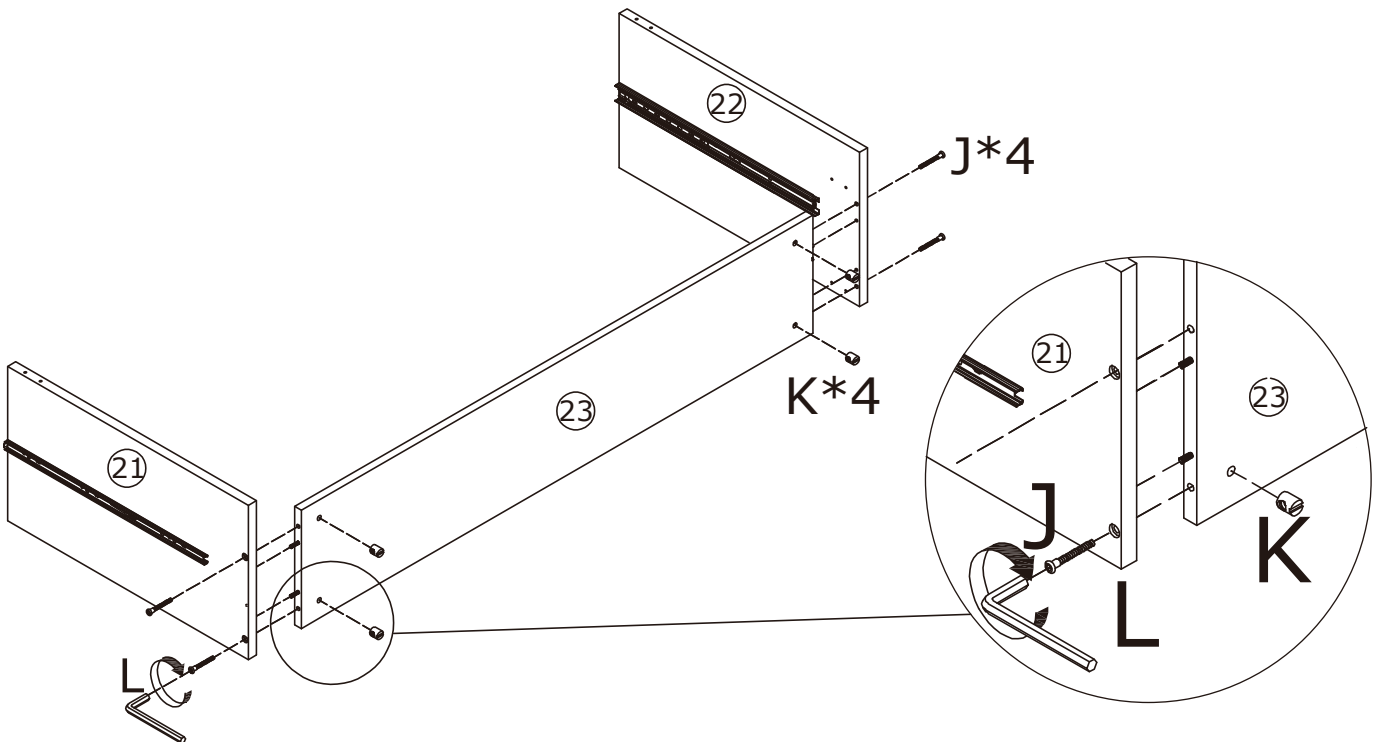
25

<p>E x 6</p>  <p>Ø3.5 x 14 mm</p>	<p>(P-2) x 2</p> 	
--	--	---



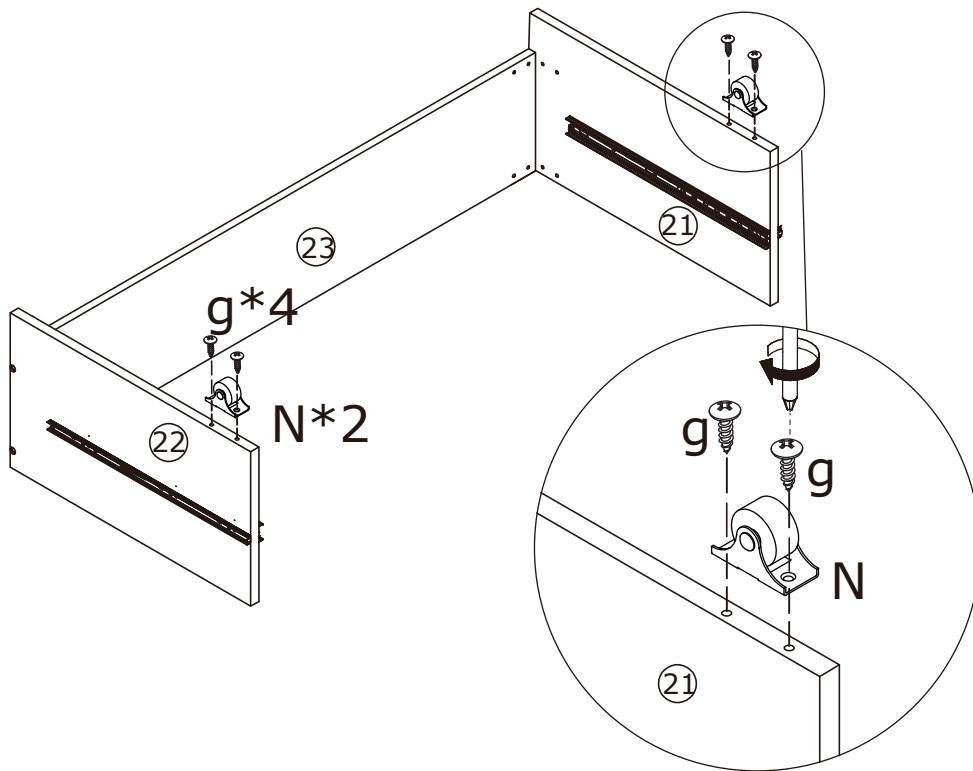
26

<p>J x 4</p>  <p>Ø6 x 40 mm</p>	<p>K x 4</p> 	<p>L x 1</p> 	
--	--	--	---



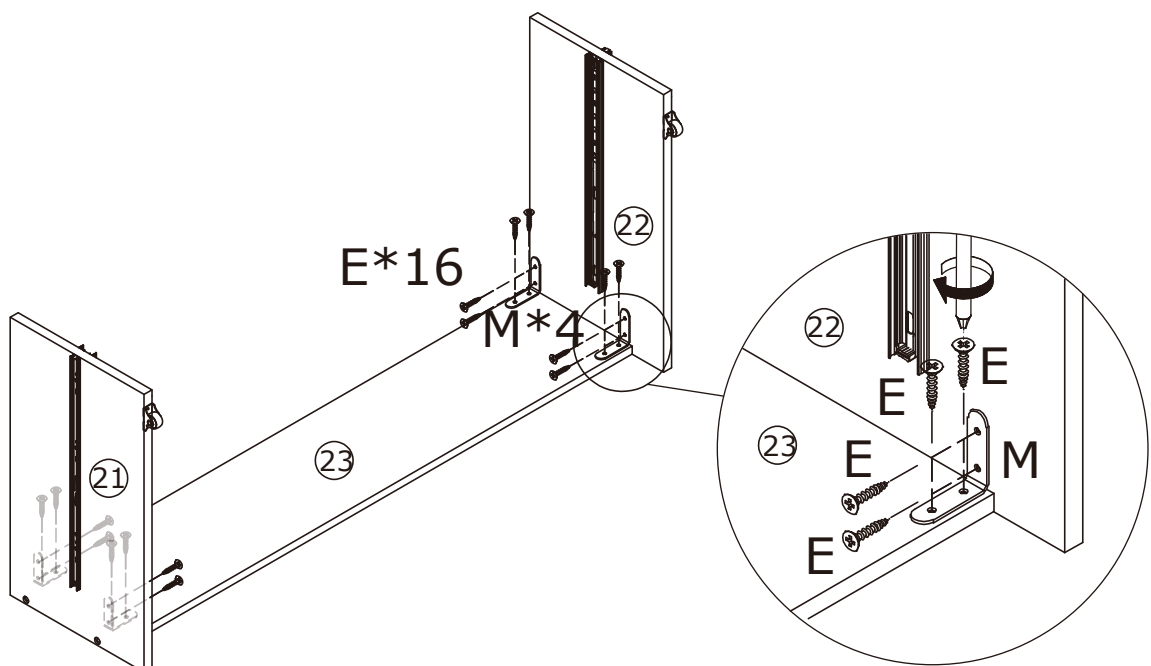
27

<p>g x 4</p>  <p>Ø4 x 14 mm</p>	<p>N x 2</p> 	
--	--	---



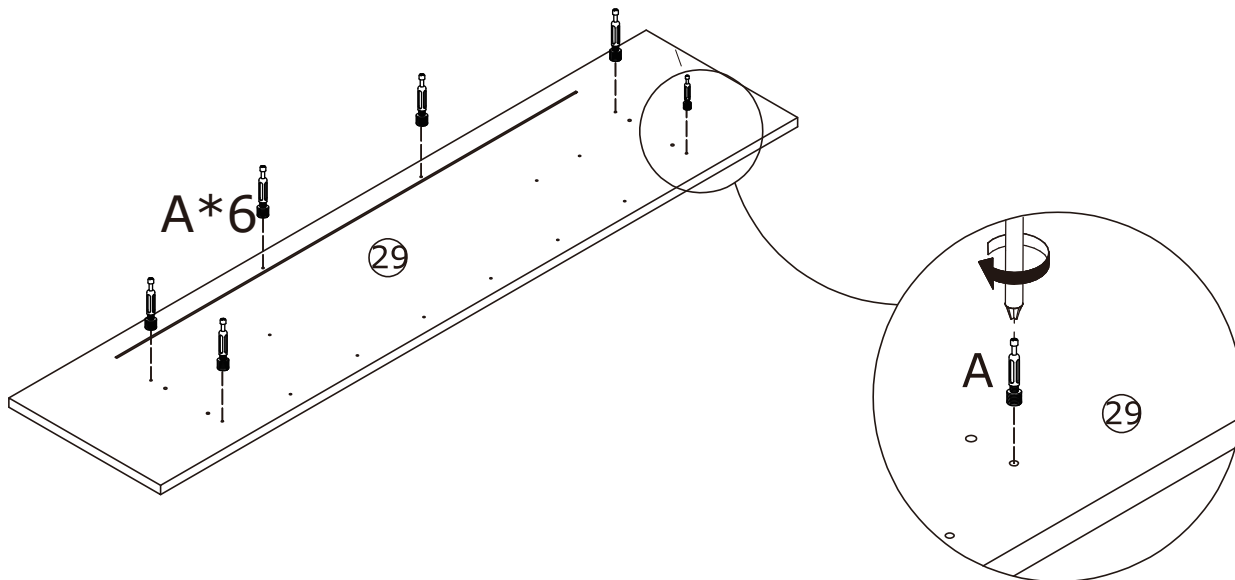
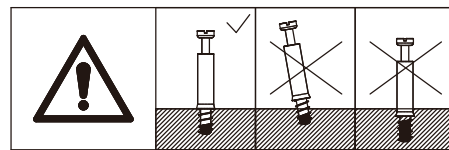
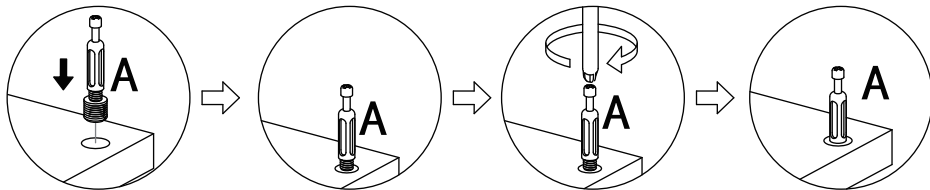
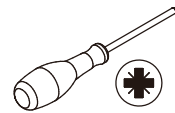
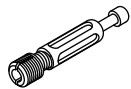
28

<p>M x 4</p> 	<p>E x 16</p>  <p>Ø3.5 x 14 mm</p>	
--	---	---



29

A x 6

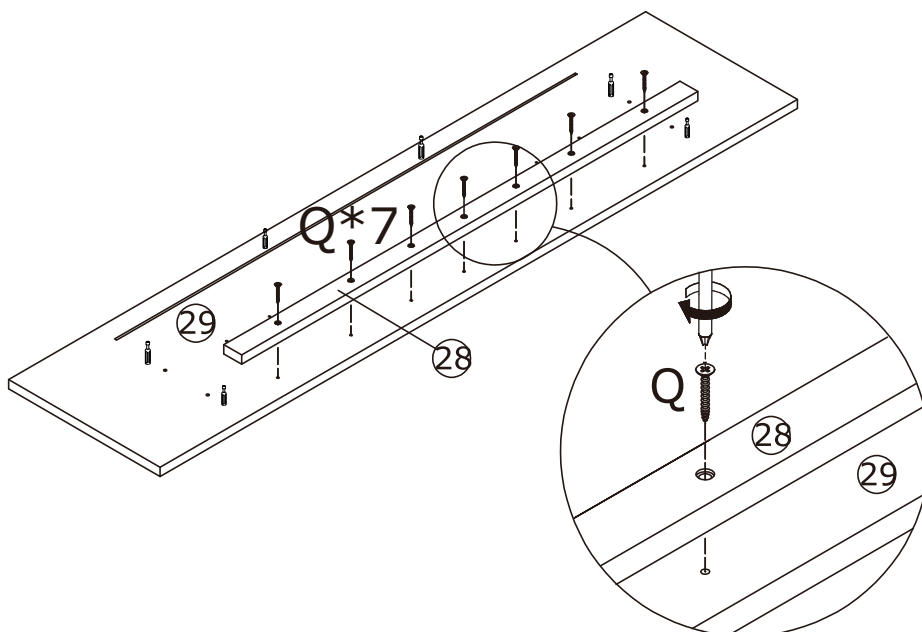
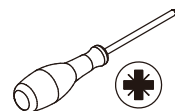


30

Q x 7

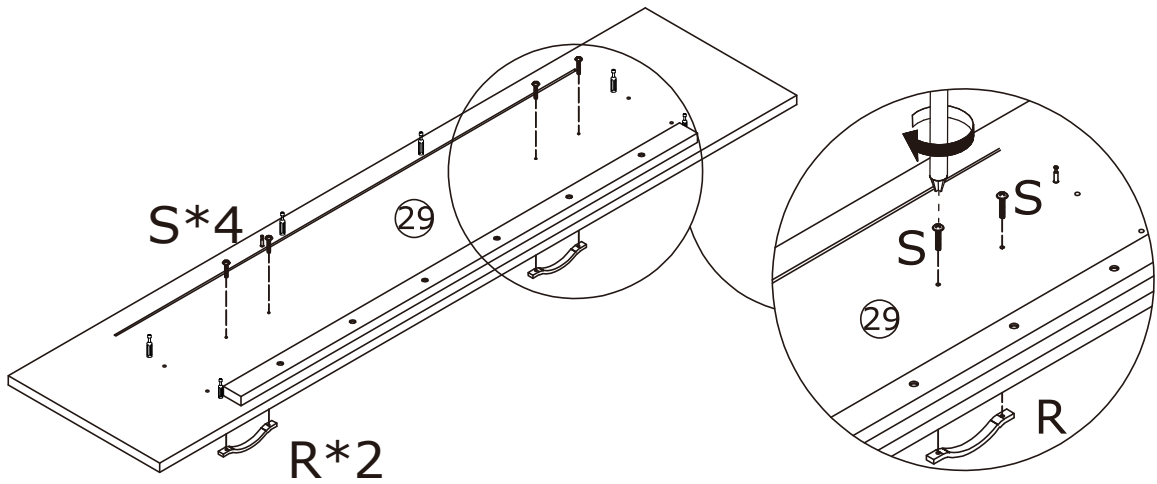


Ø4 x 25 mm




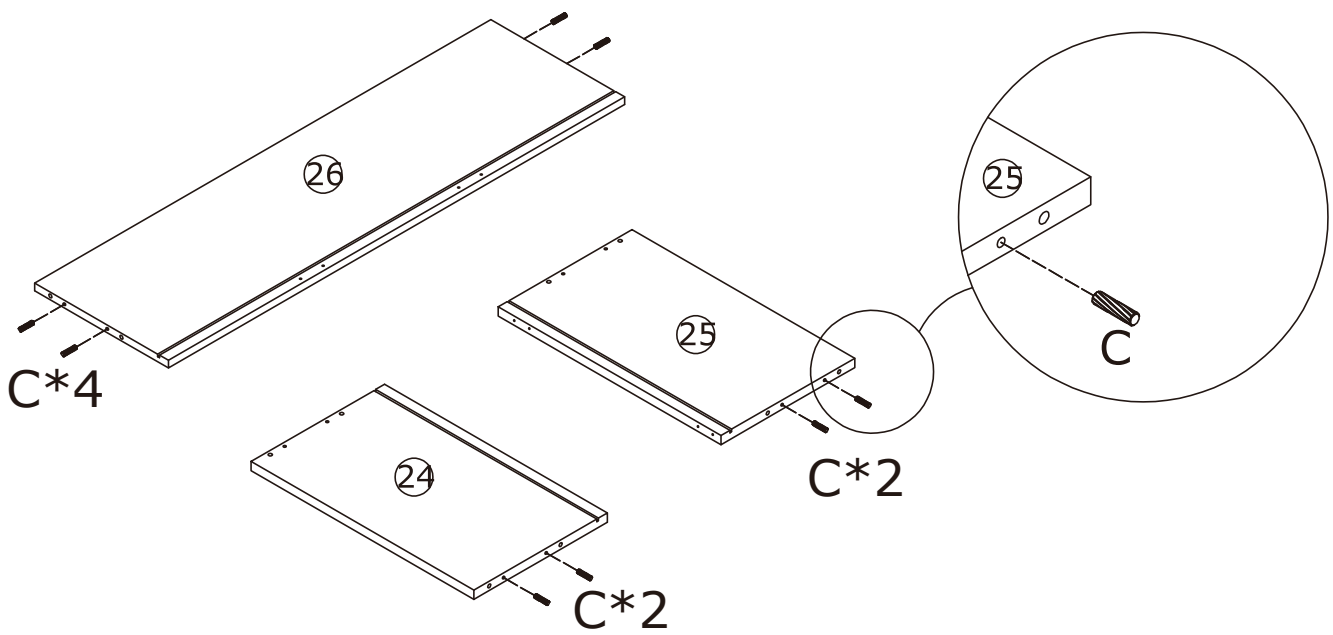
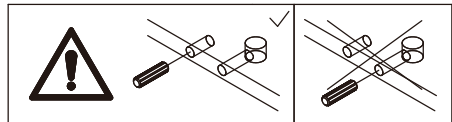
31

R x 2 	S x 4  Ø4 x 16 mm	
--	--	---

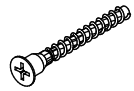



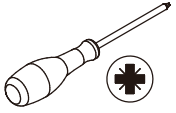


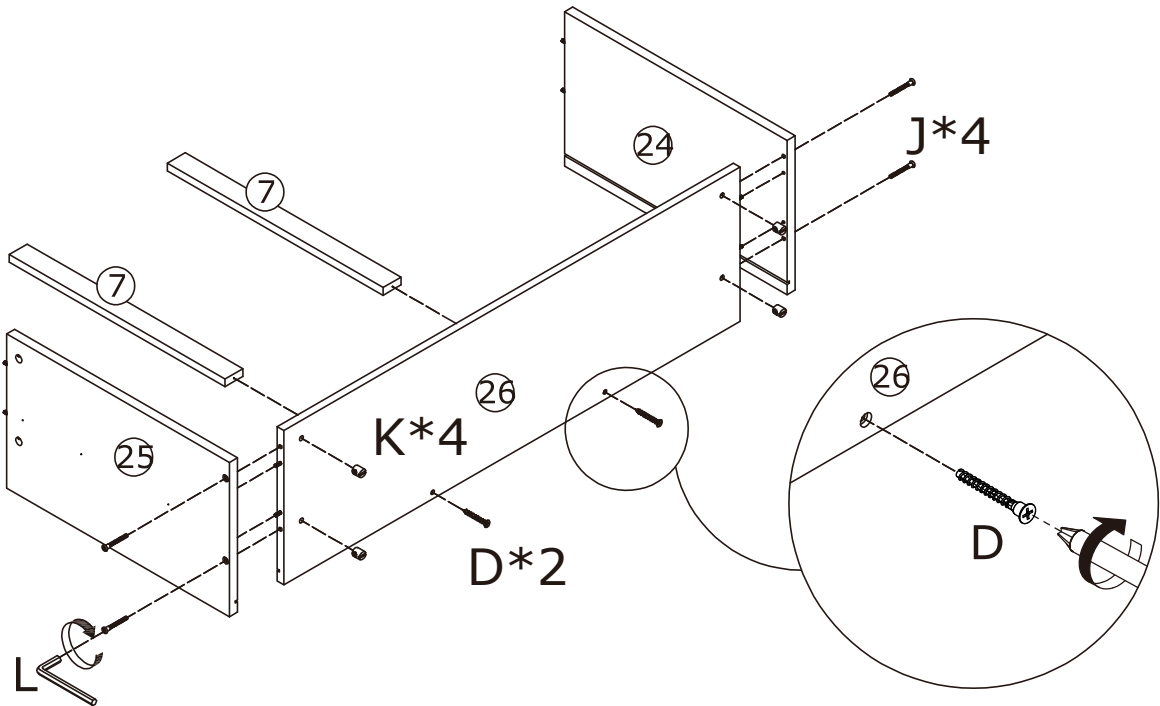
32

C x 8  Ø8 x 40 mm	
--	--

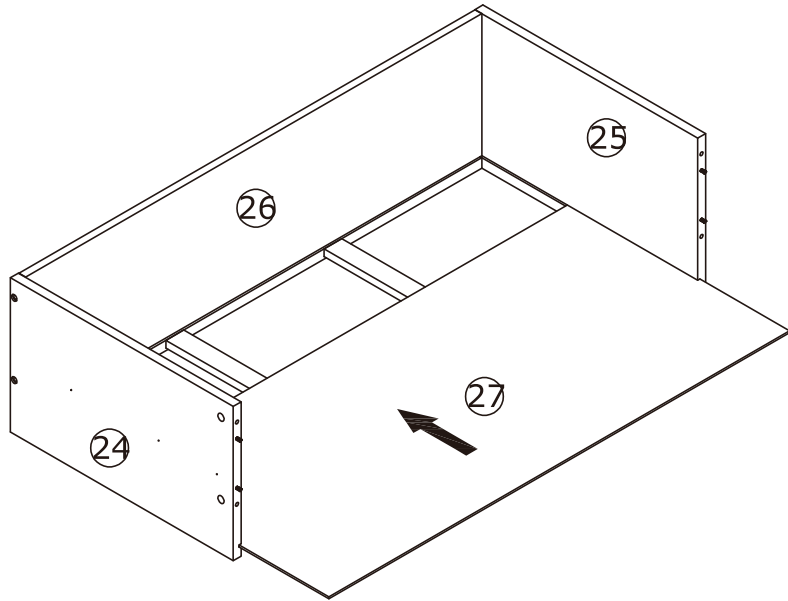


33

<p>D x 2</p>  <p>Ø 5 x 40 mm</p>	<p>J x 4</p>  <p>Ø 6 x 40 mm</p>	<p>K x 4</p> 	<p>L x 1</p> 	
---	---	--	---	---

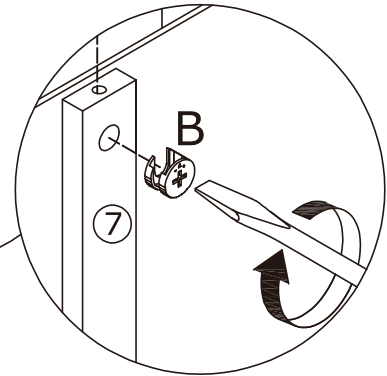
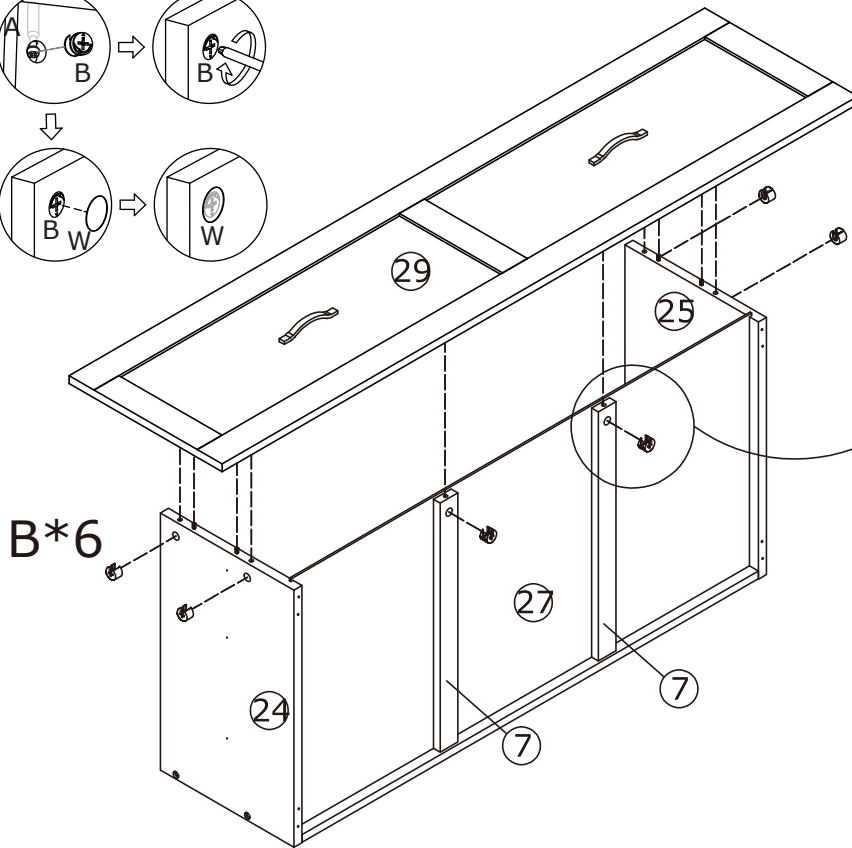
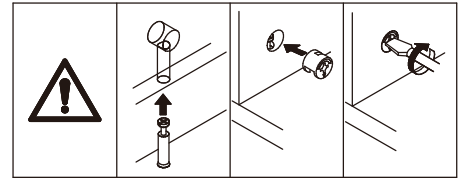
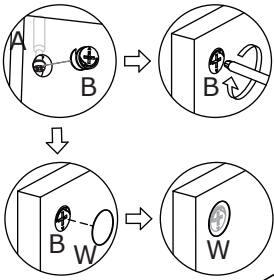


34



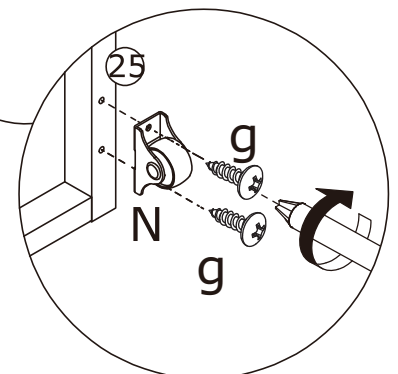
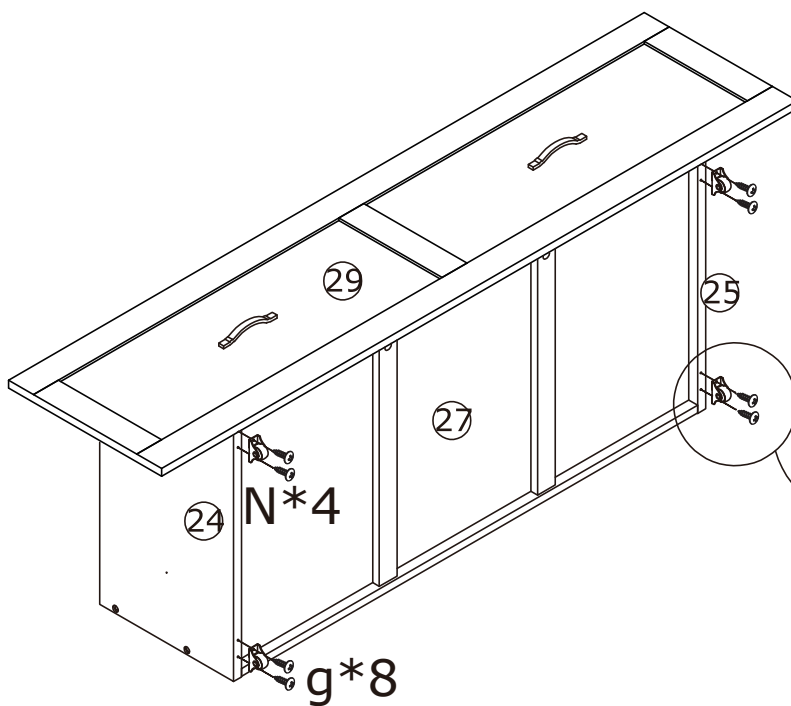
35

$B \times 6$  $\varnothing 15 \times 12 \text{ mm}$	$W \times 6$ 	
--	---	---



36

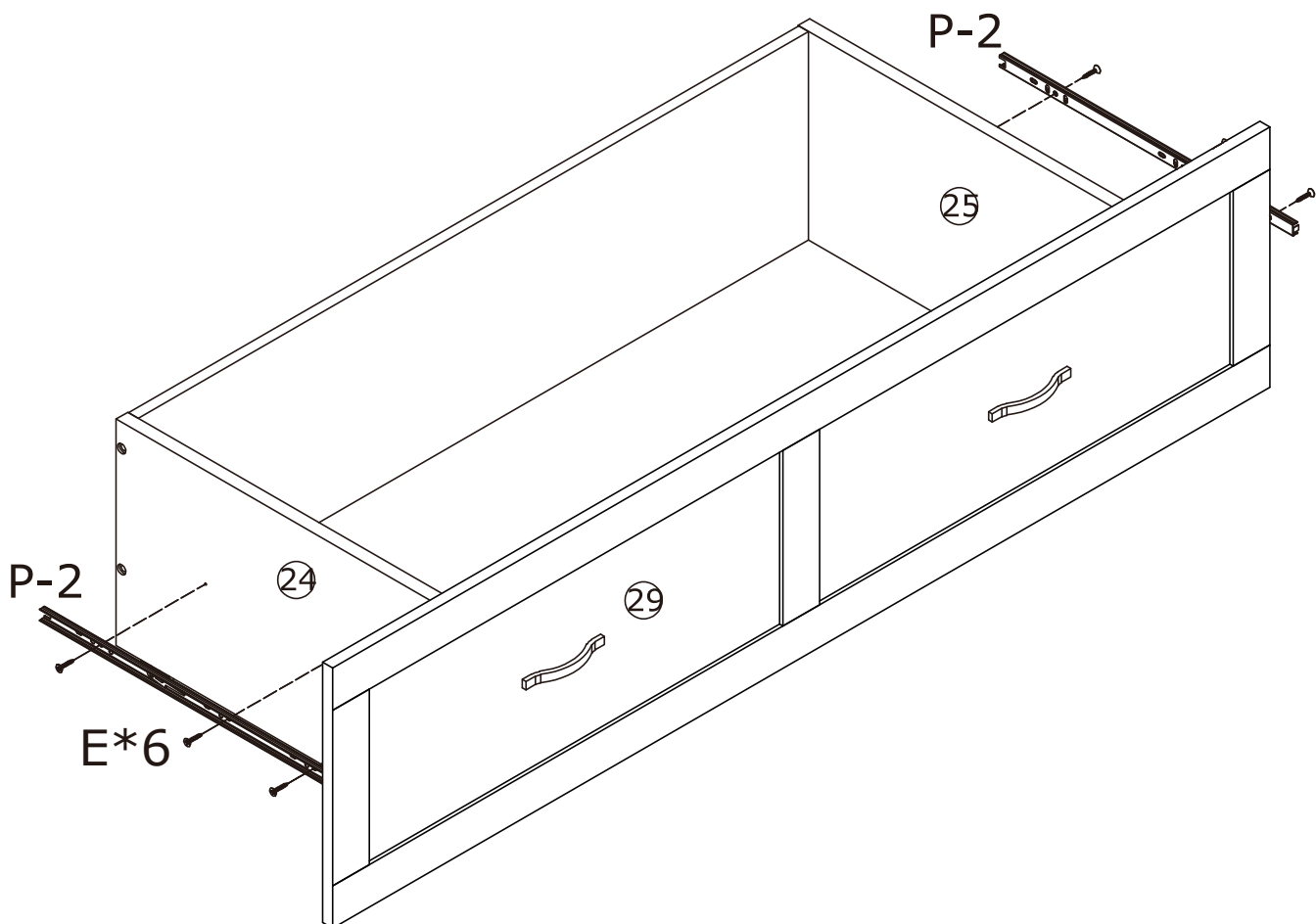
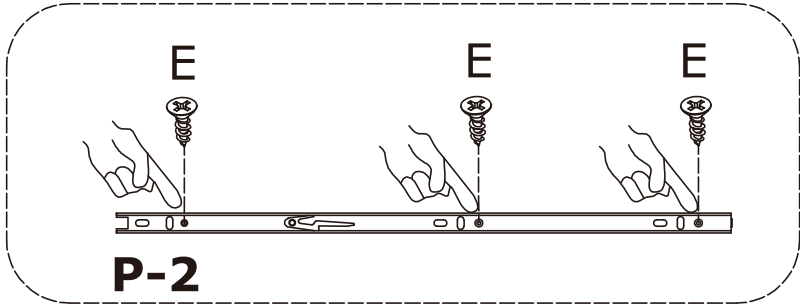
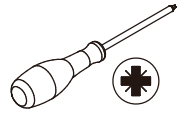
$N \times 4$ 	$g \times 8$  $\varnothing 4 \times 14 \text{ mm}$	
---	---	---



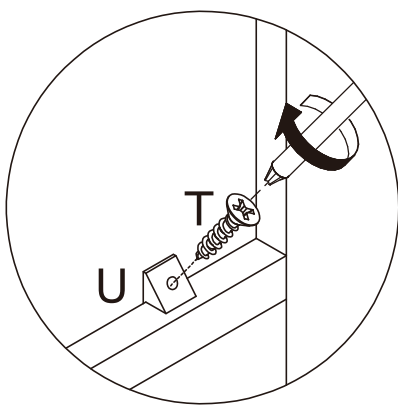
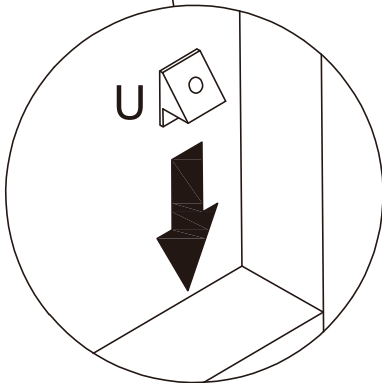
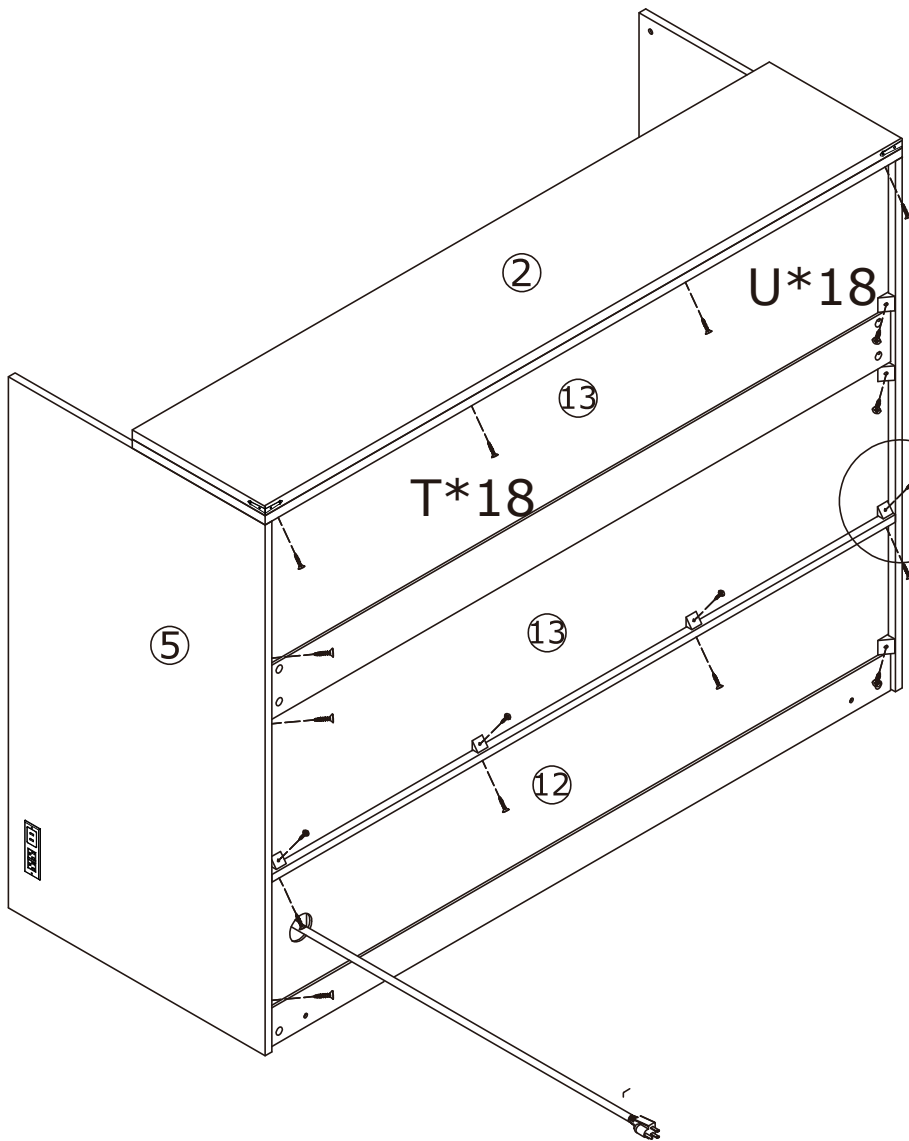
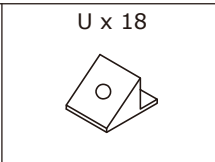
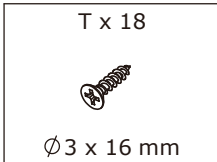
37

E x 6
Ø 3.5 x 14 mm

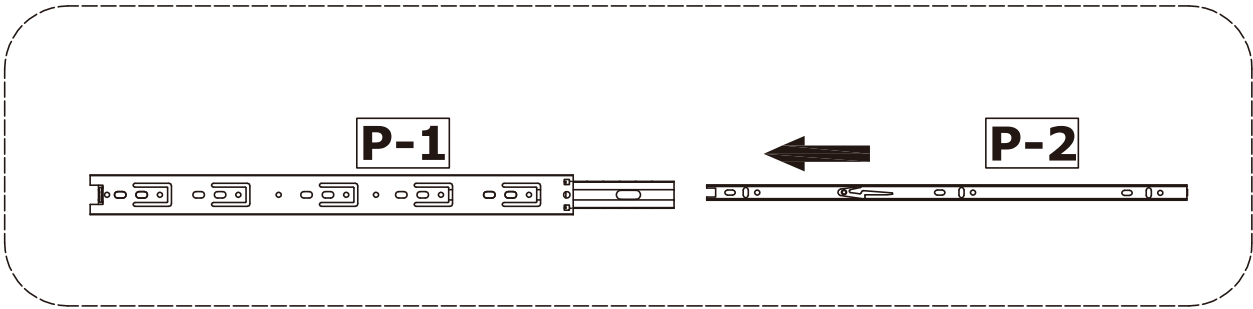
(P-2) x 2



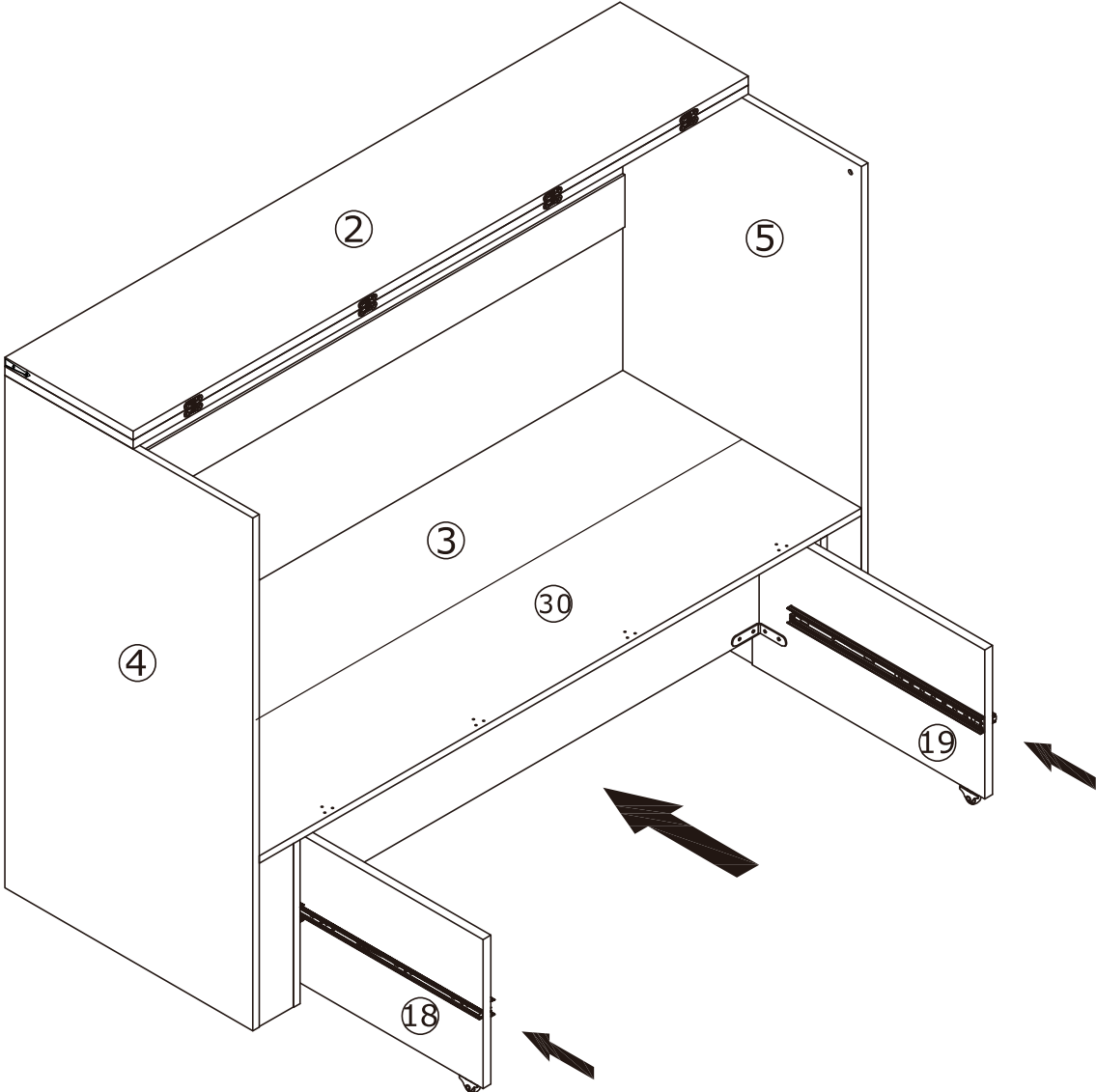
38



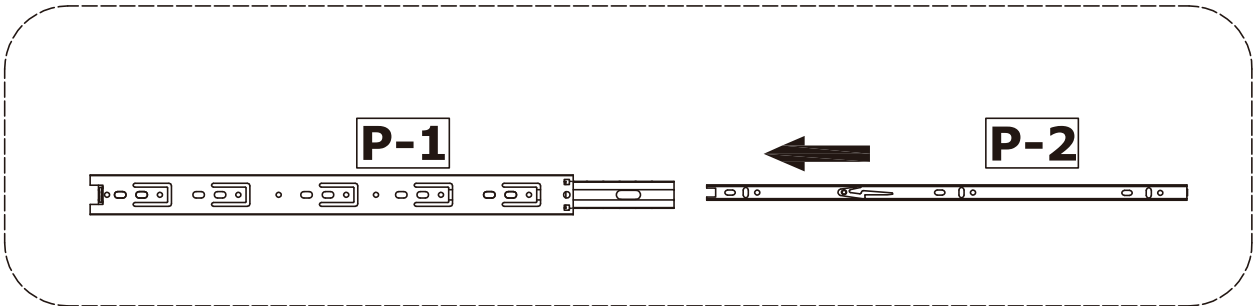
39



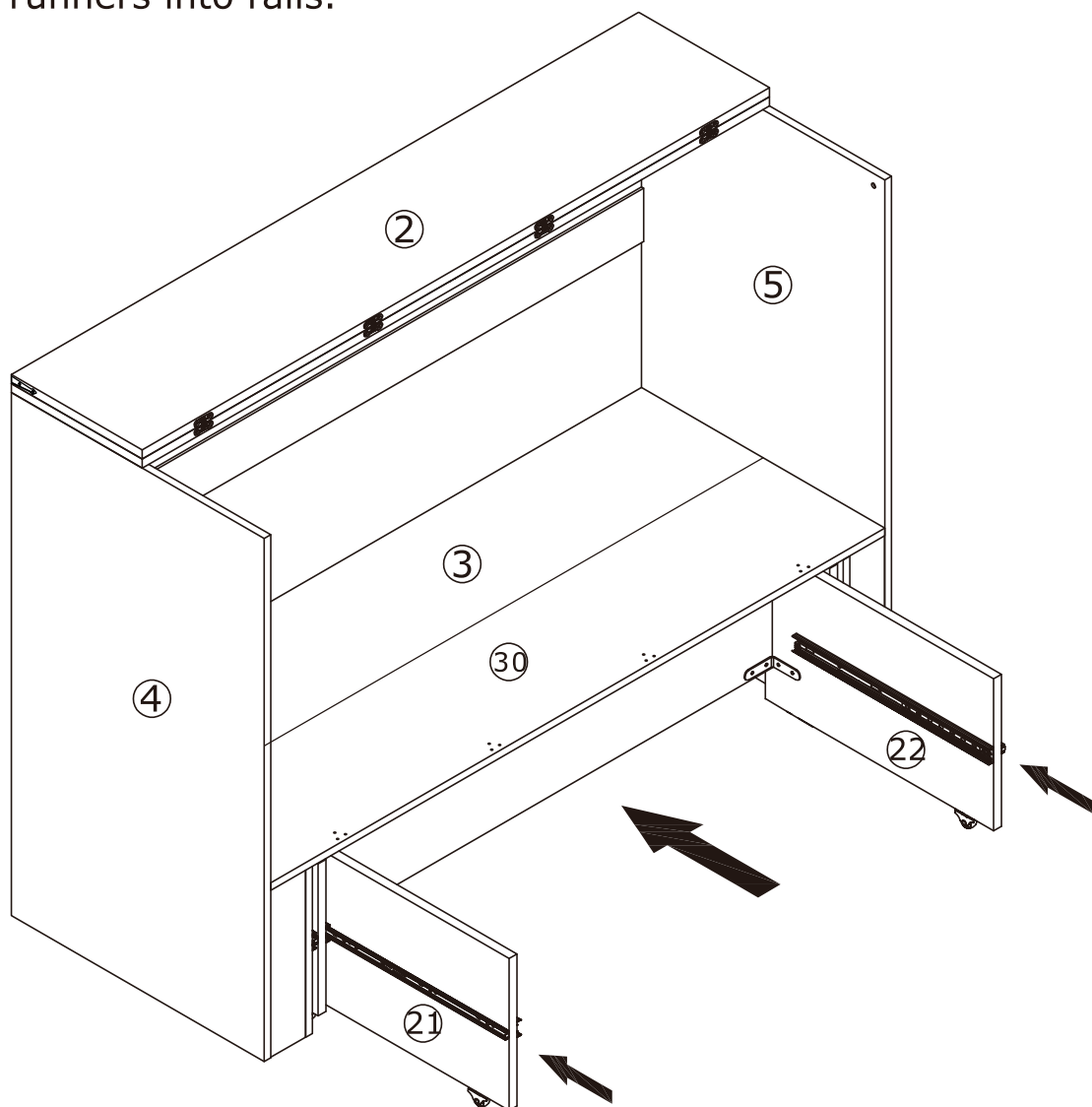
Slide runners into rails.



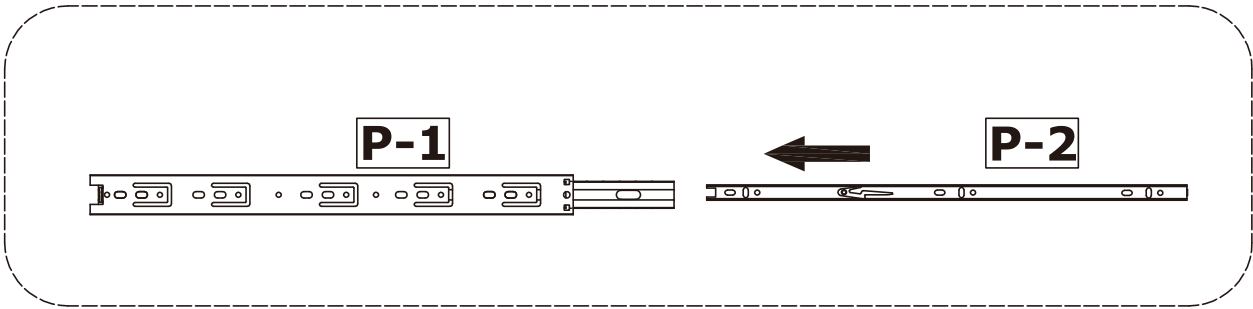
40



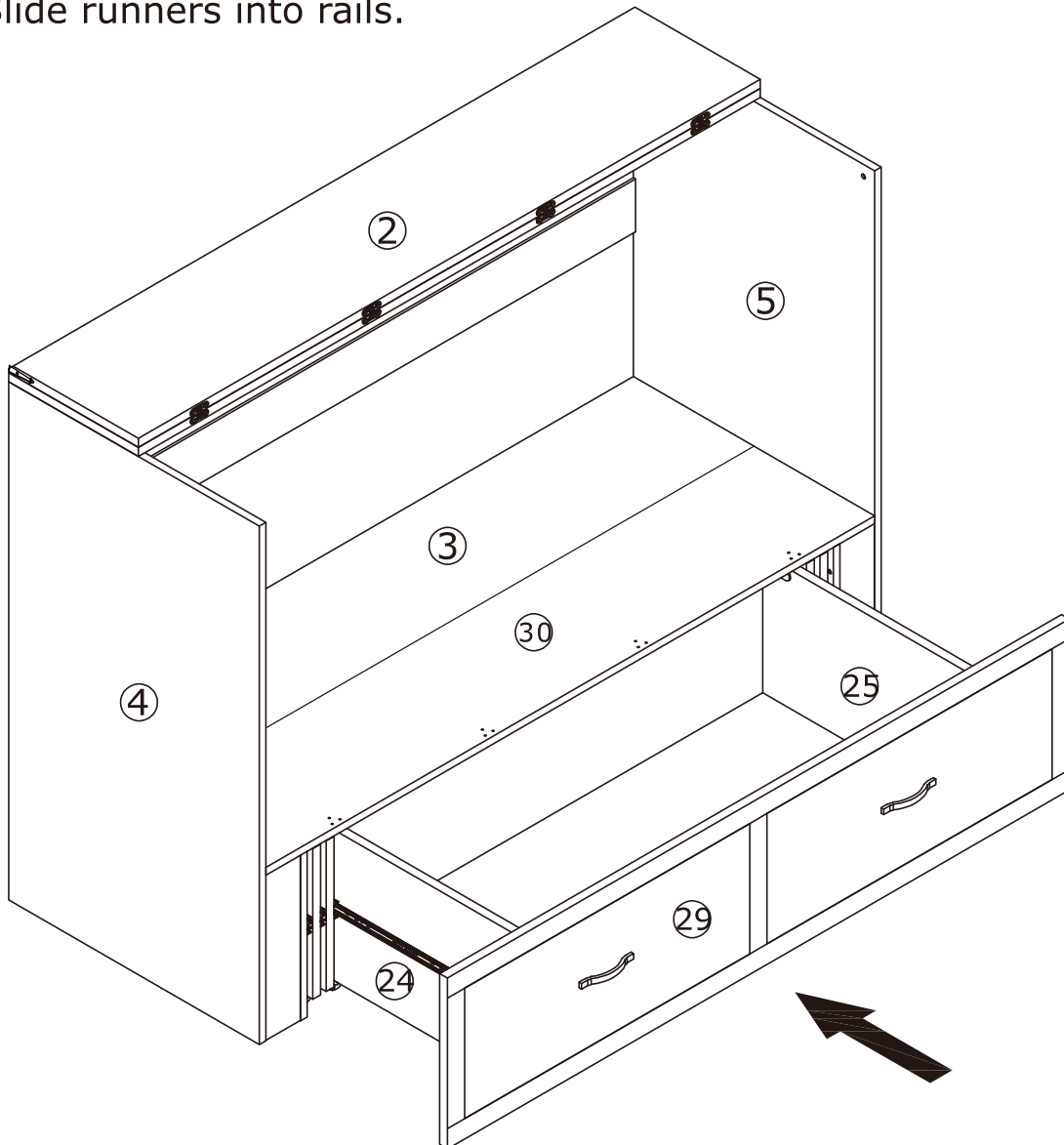
Slide runners into rails.



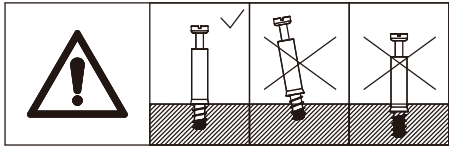
41



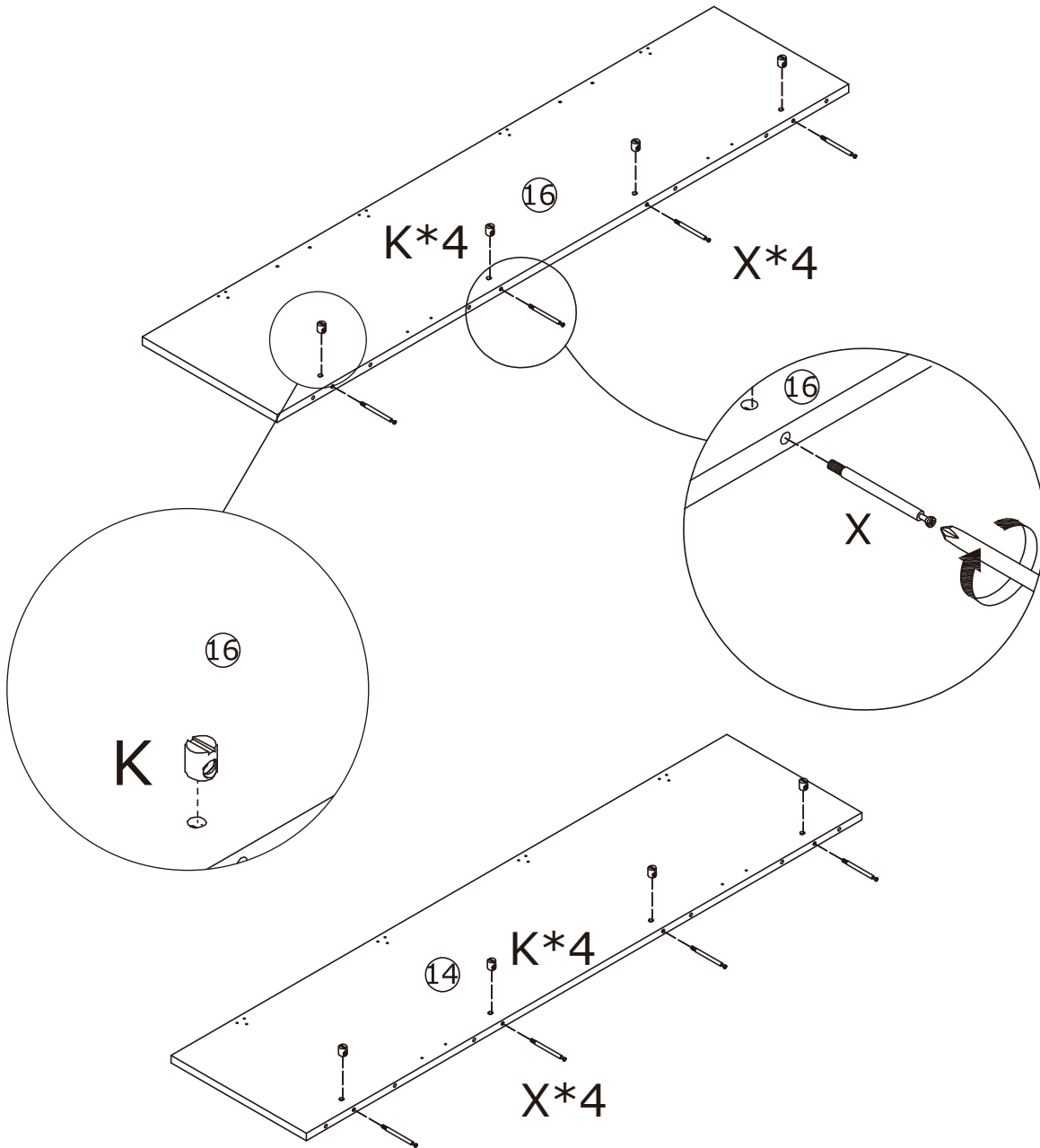
Slide runners into rails.






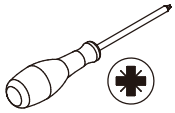
42

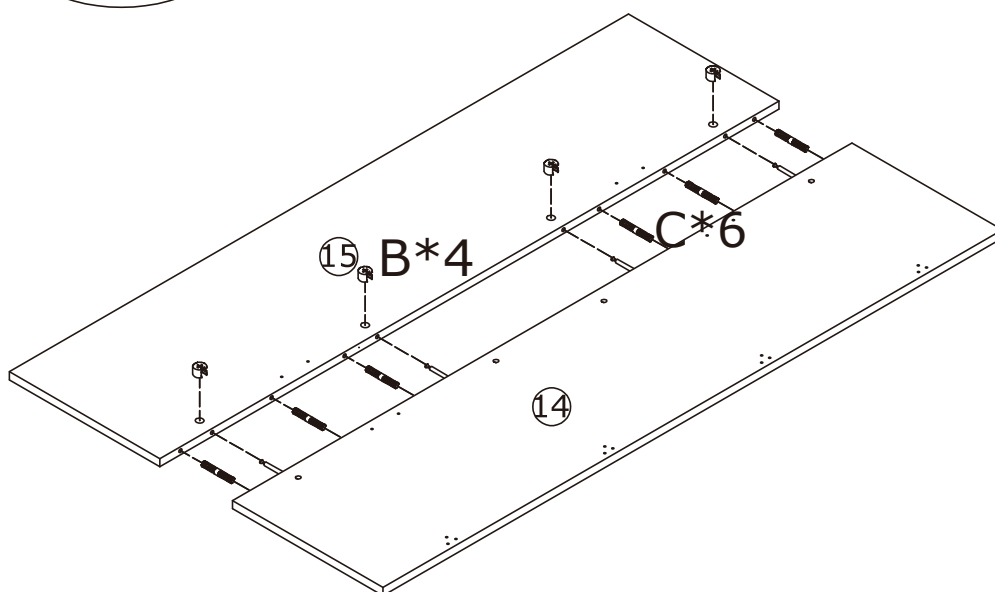
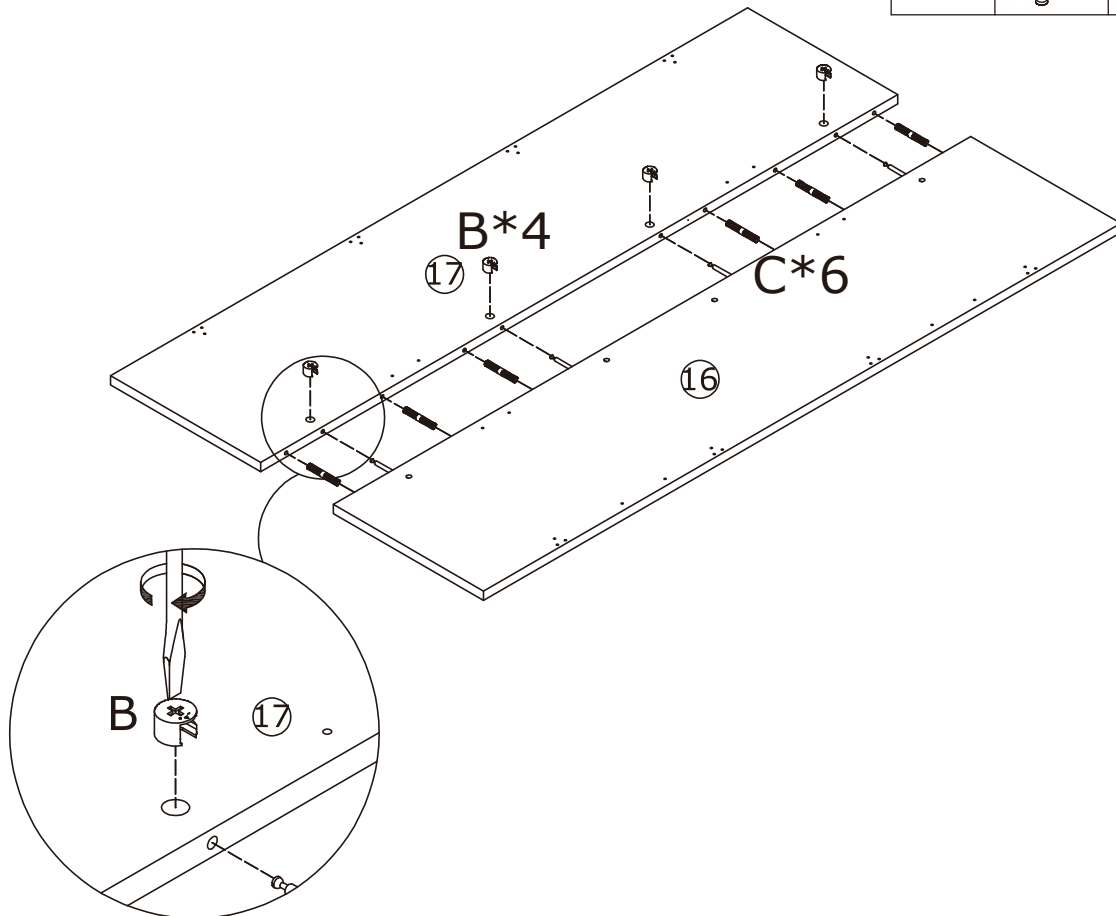
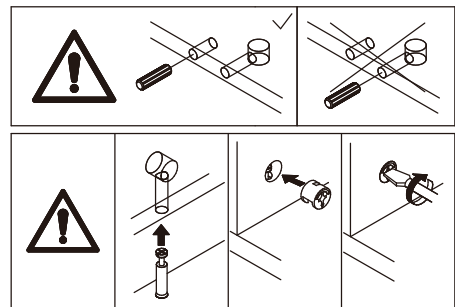
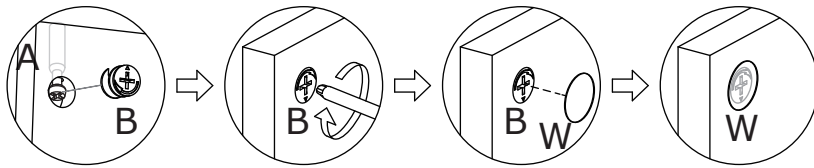


X Screw rotates to the right until dead



43

<p>B x 8</p>  <p>Ø15 x 12 mm</p>	<p>C x 12</p>  <p>Ø8 x 40 mm</p>	<p>W x 8</p> 	
---	---	--	---



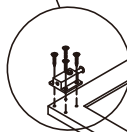
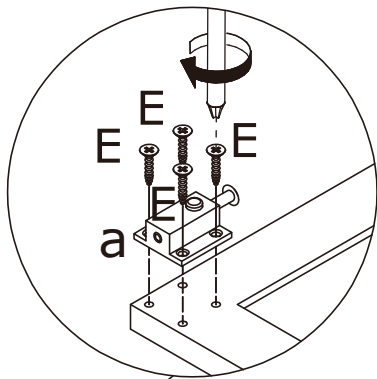
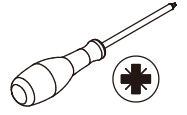
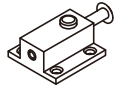
45

E x 8

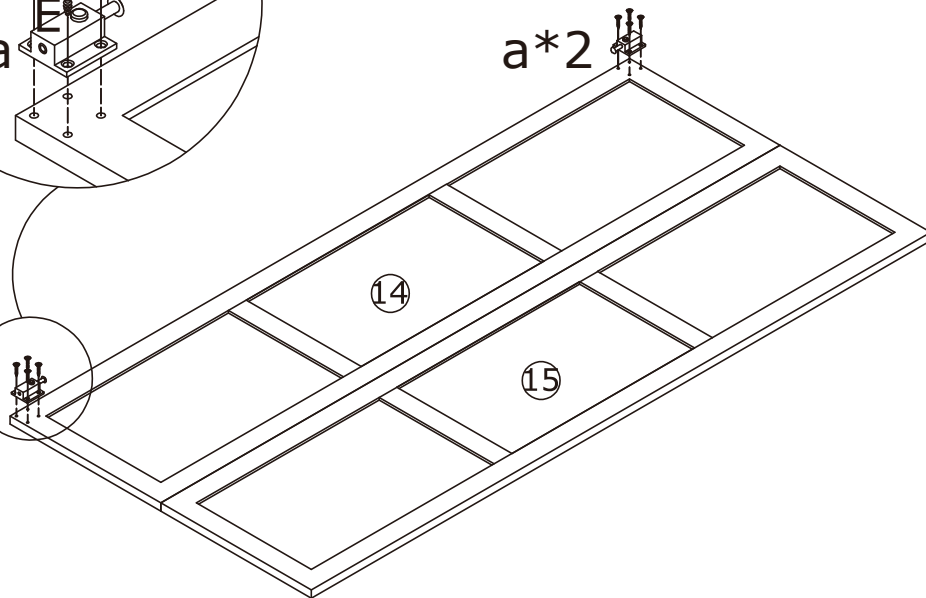


Ø 3.5 x 14 mm

a x 2

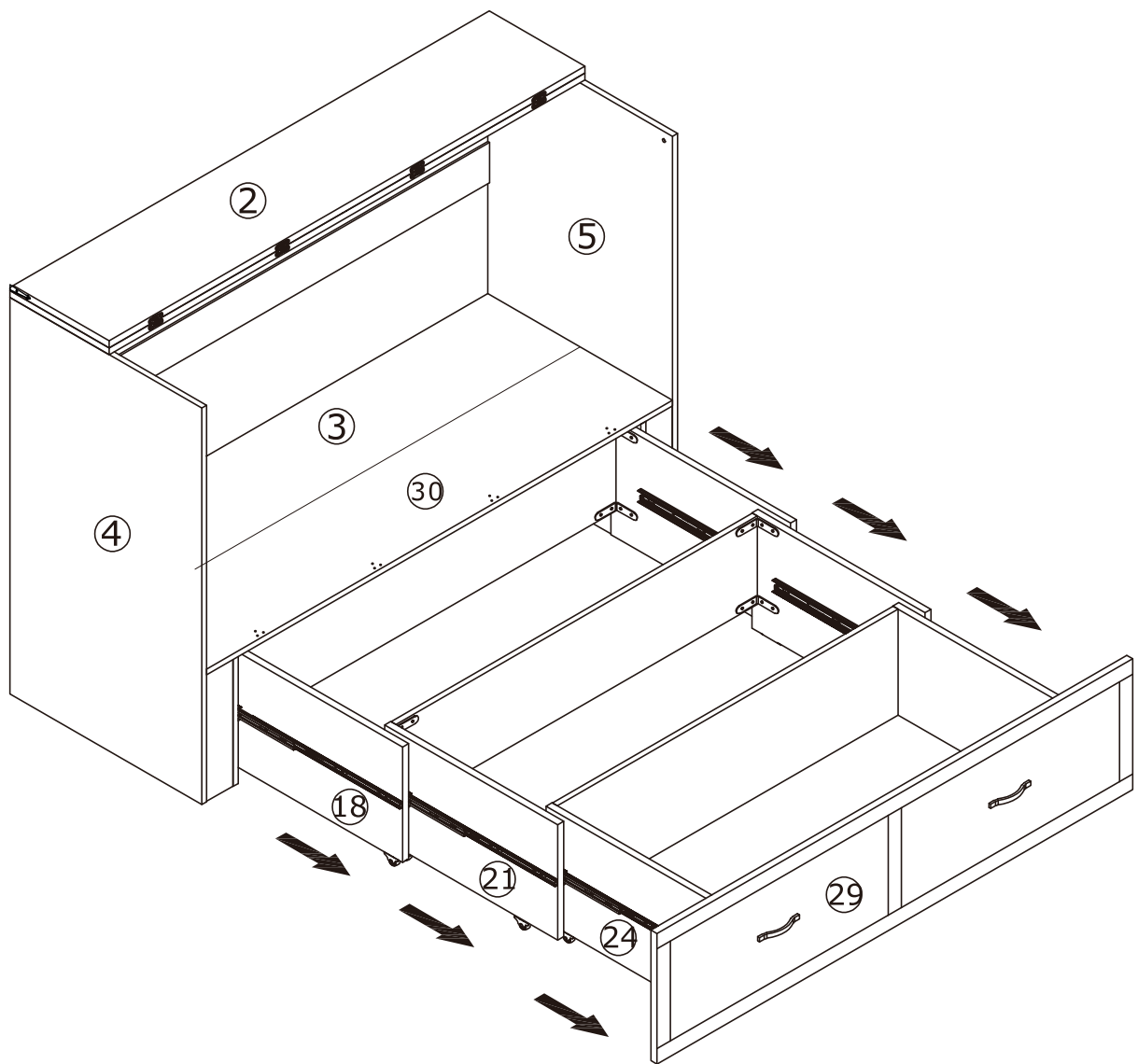


E*8
a*2


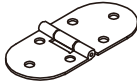


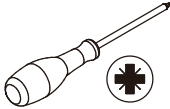


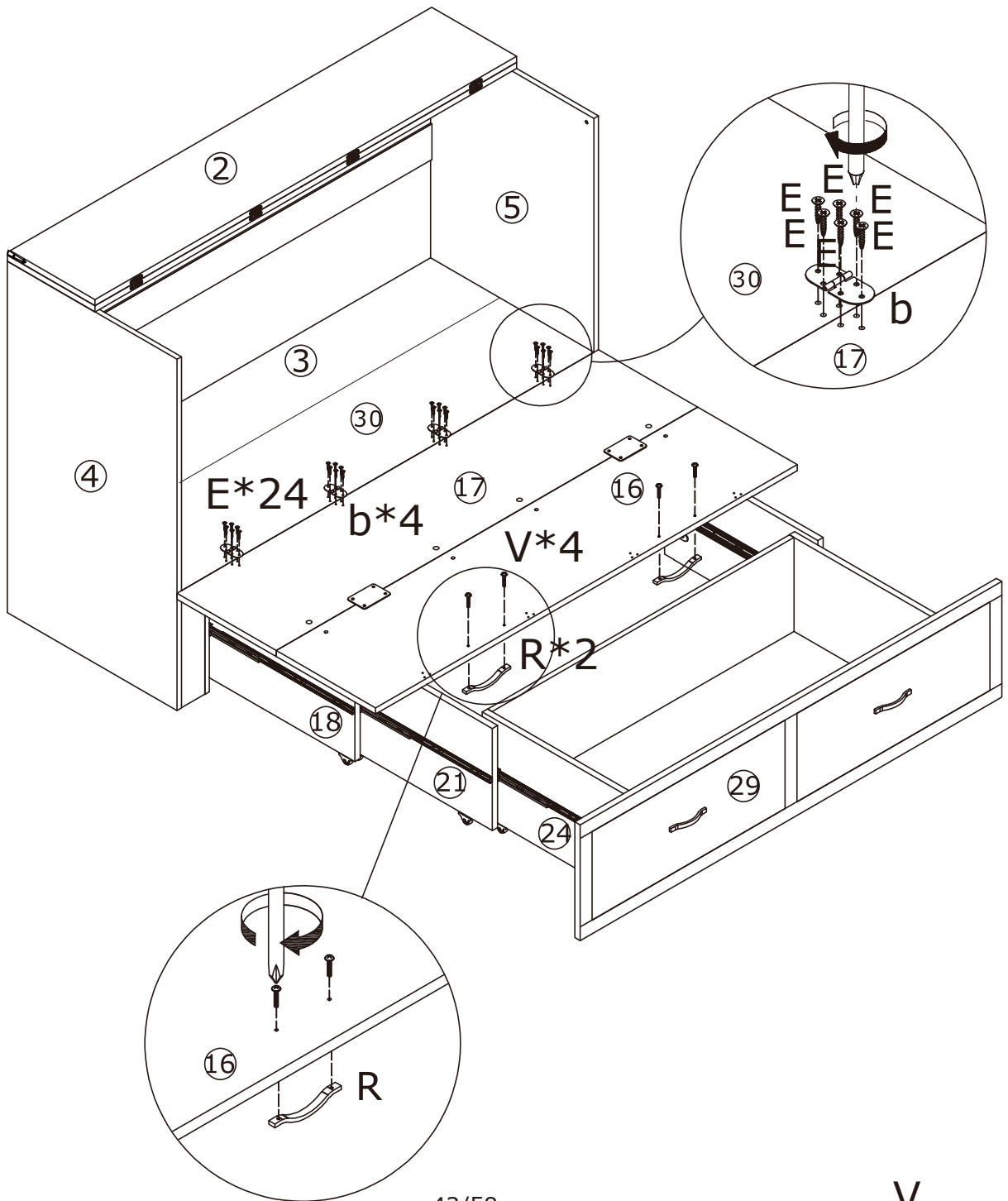
46

Pull out drawer.



47

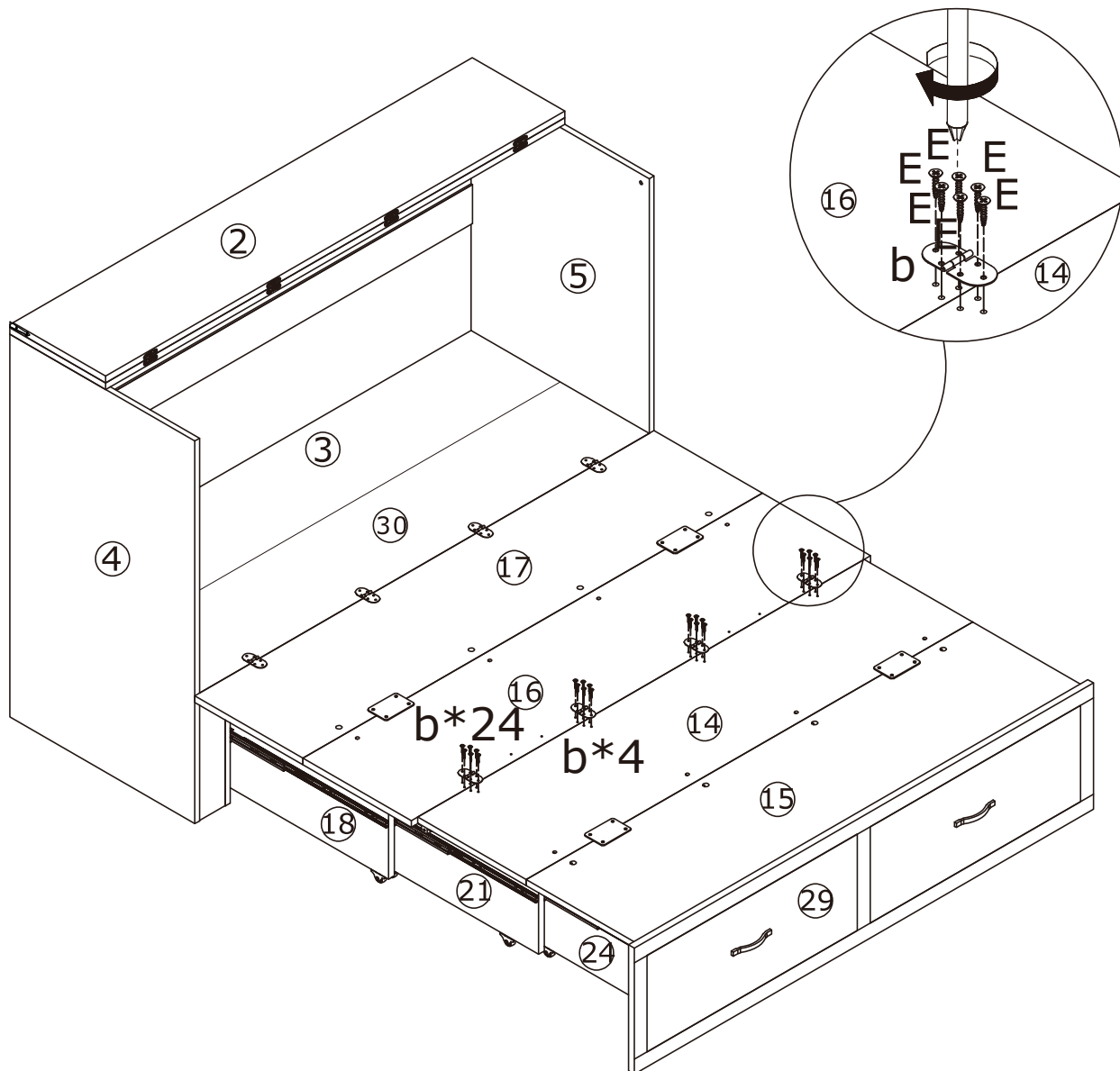
<p>E x 24</p>  <p>Ø 3.5 x 14 mm</p>	<p>b x 4</p> 	<p>R x 2</p> 	<p>V x 4</p>  <p>Ø 4 x 22 mm</p>	
--	--	--	--	---



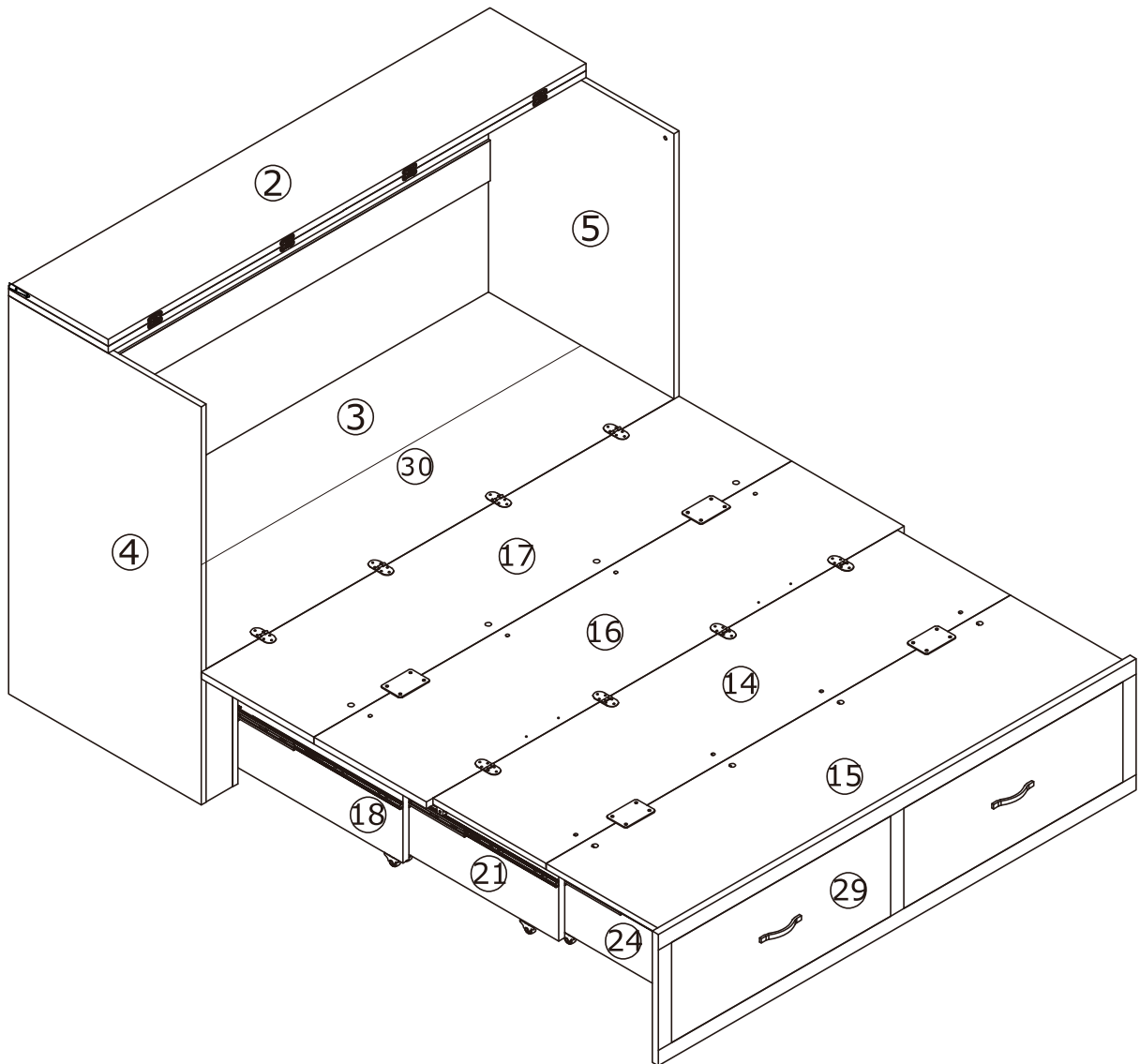
48

E x 24
Ø 3.5 x 14 mm

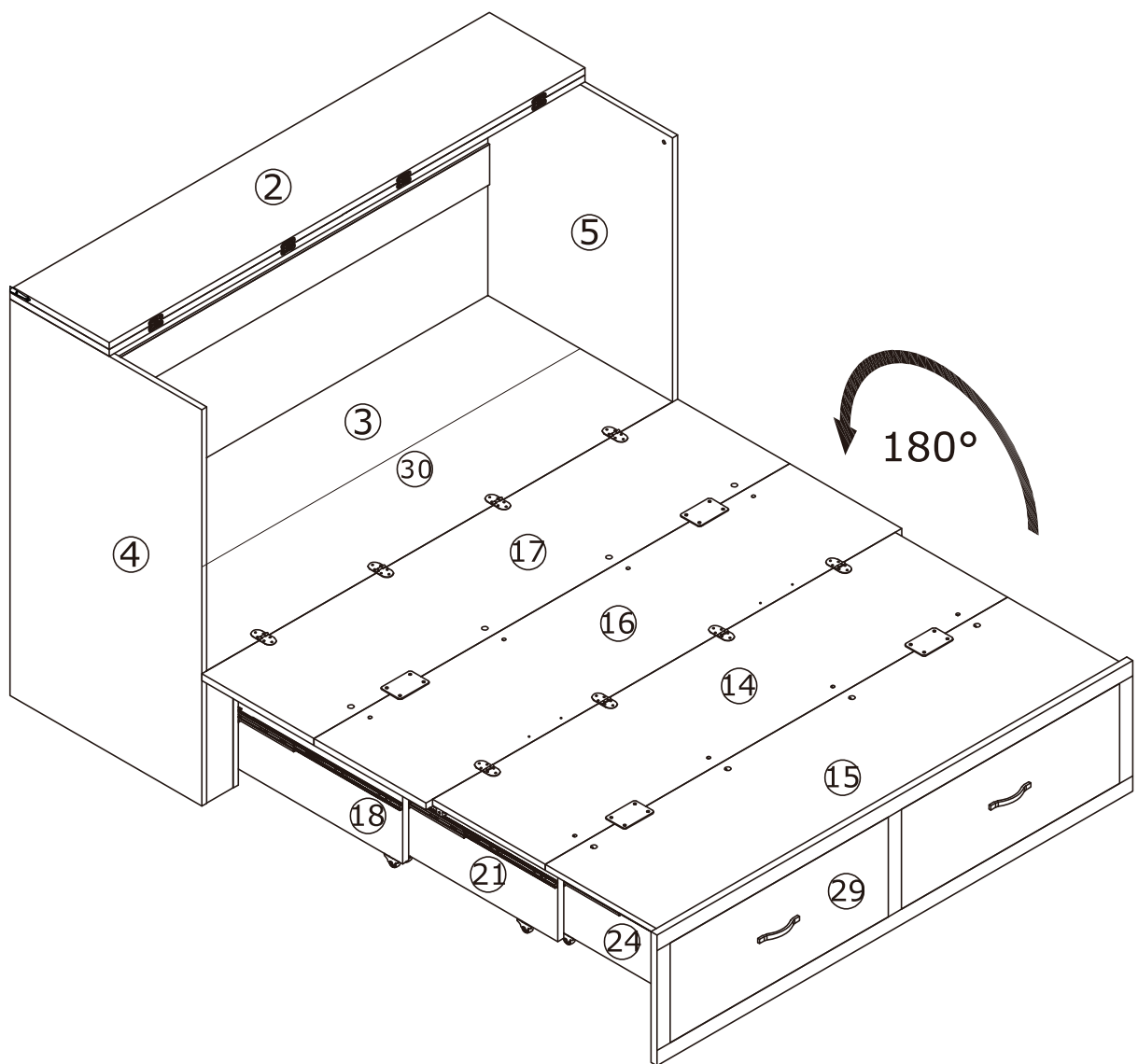
b x 4



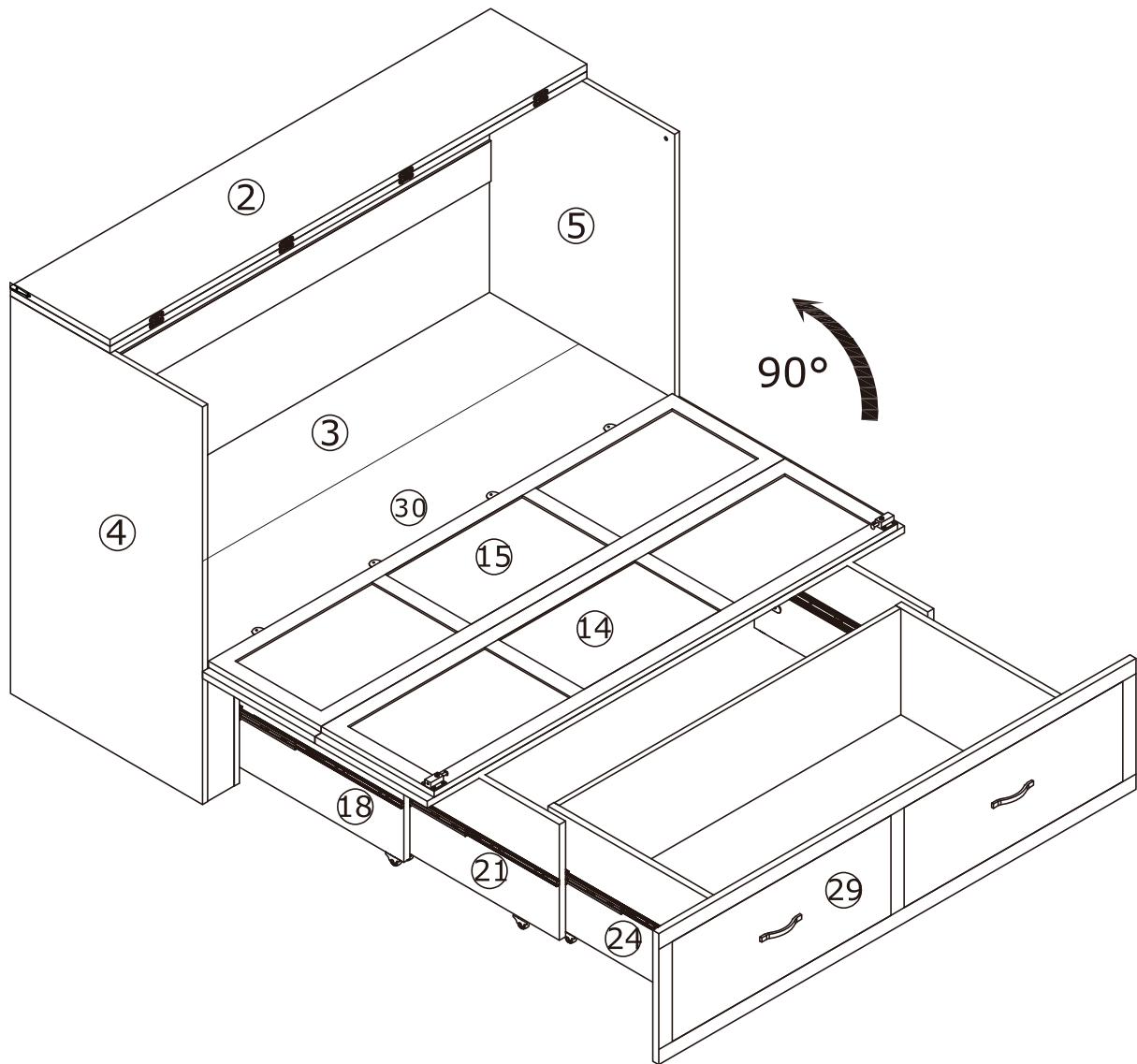
49



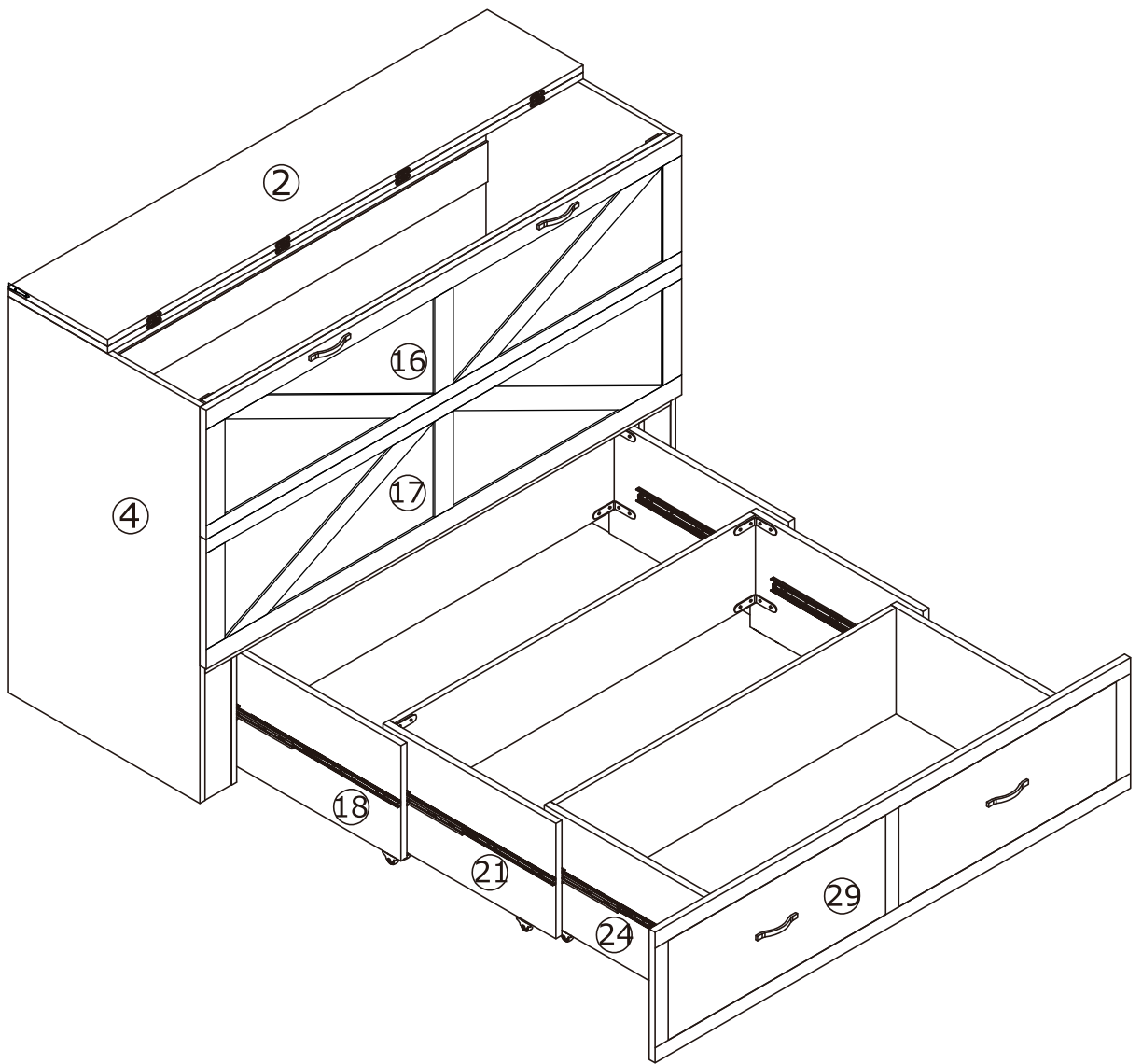
50



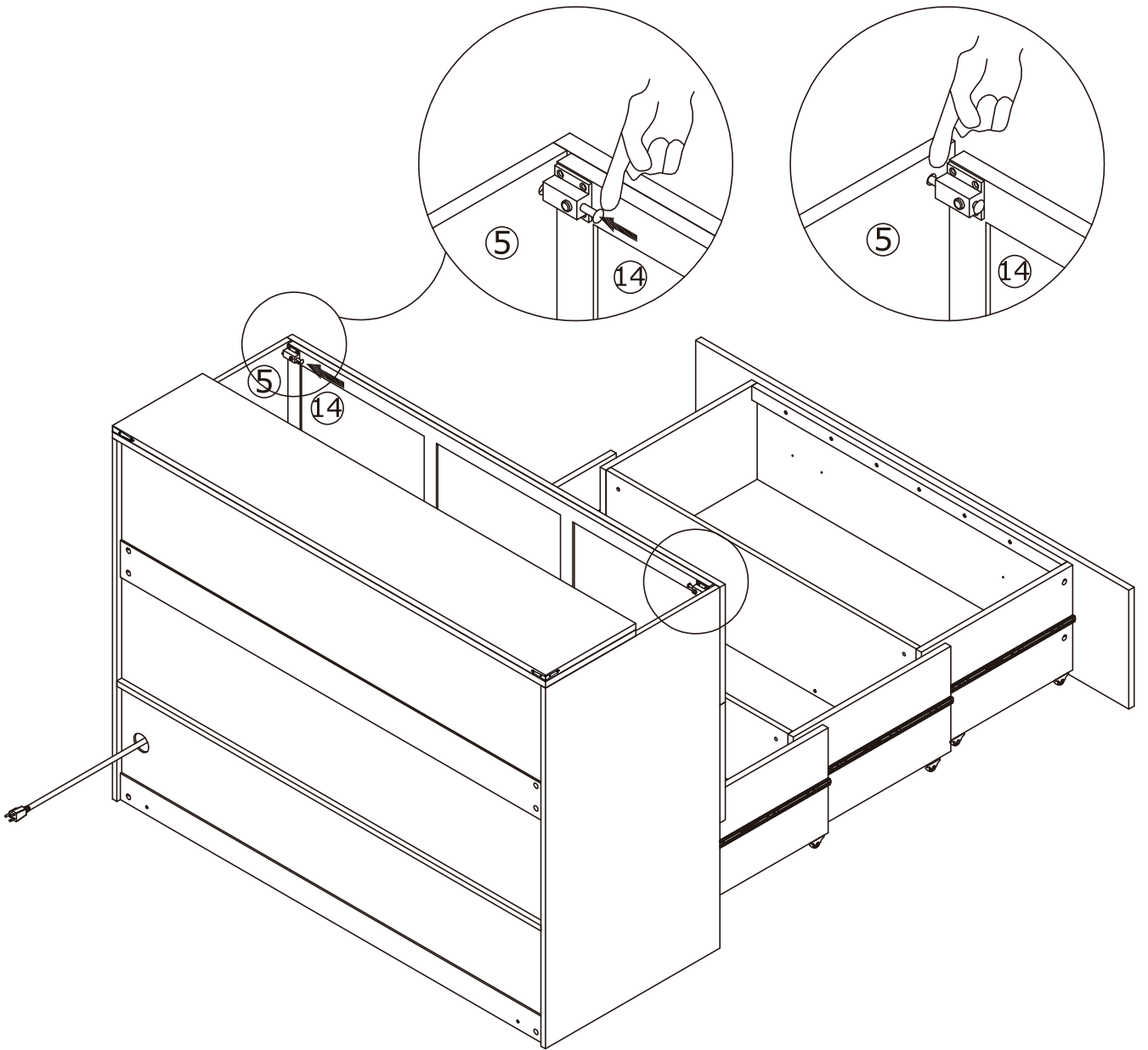
51



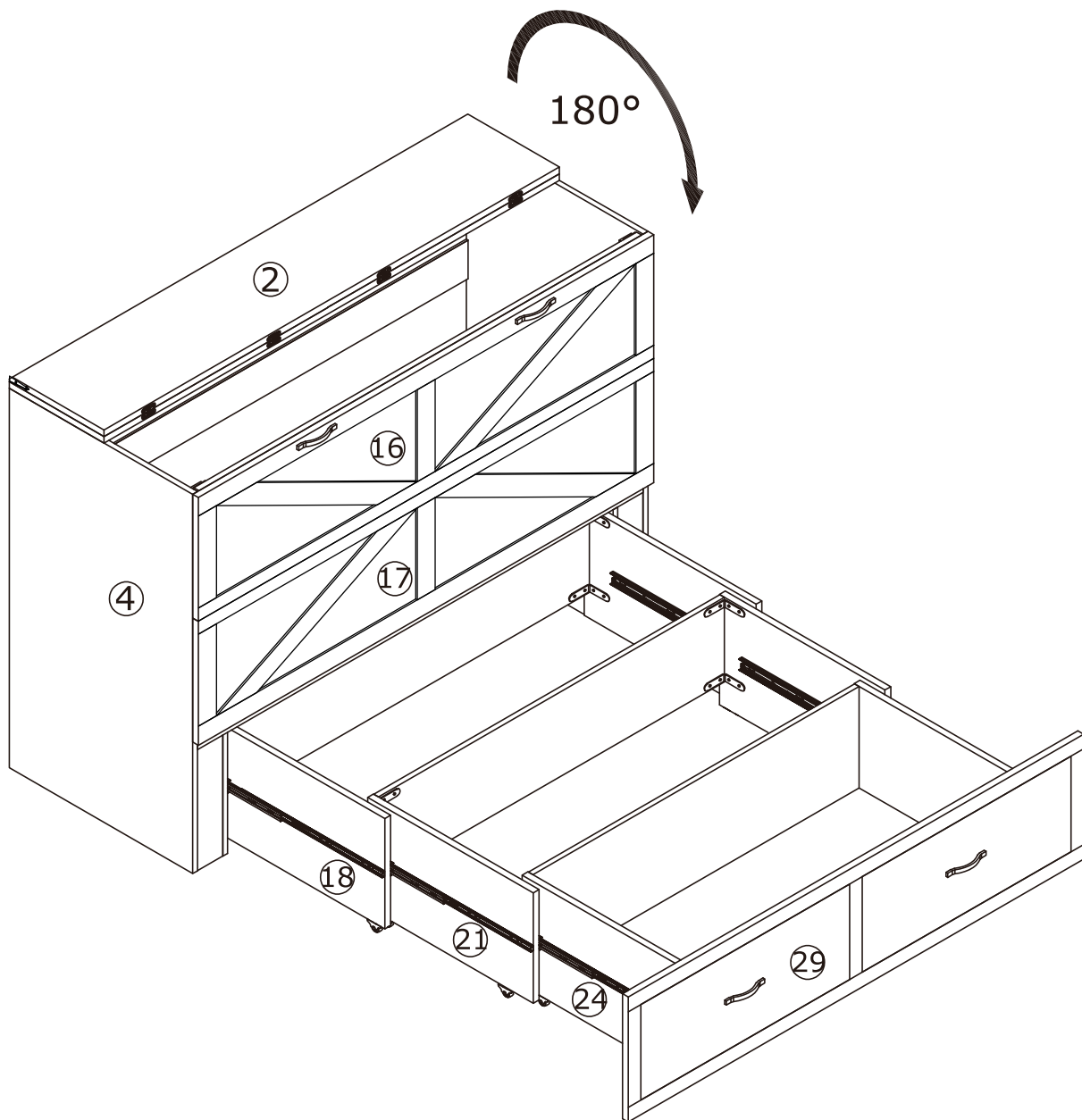
52



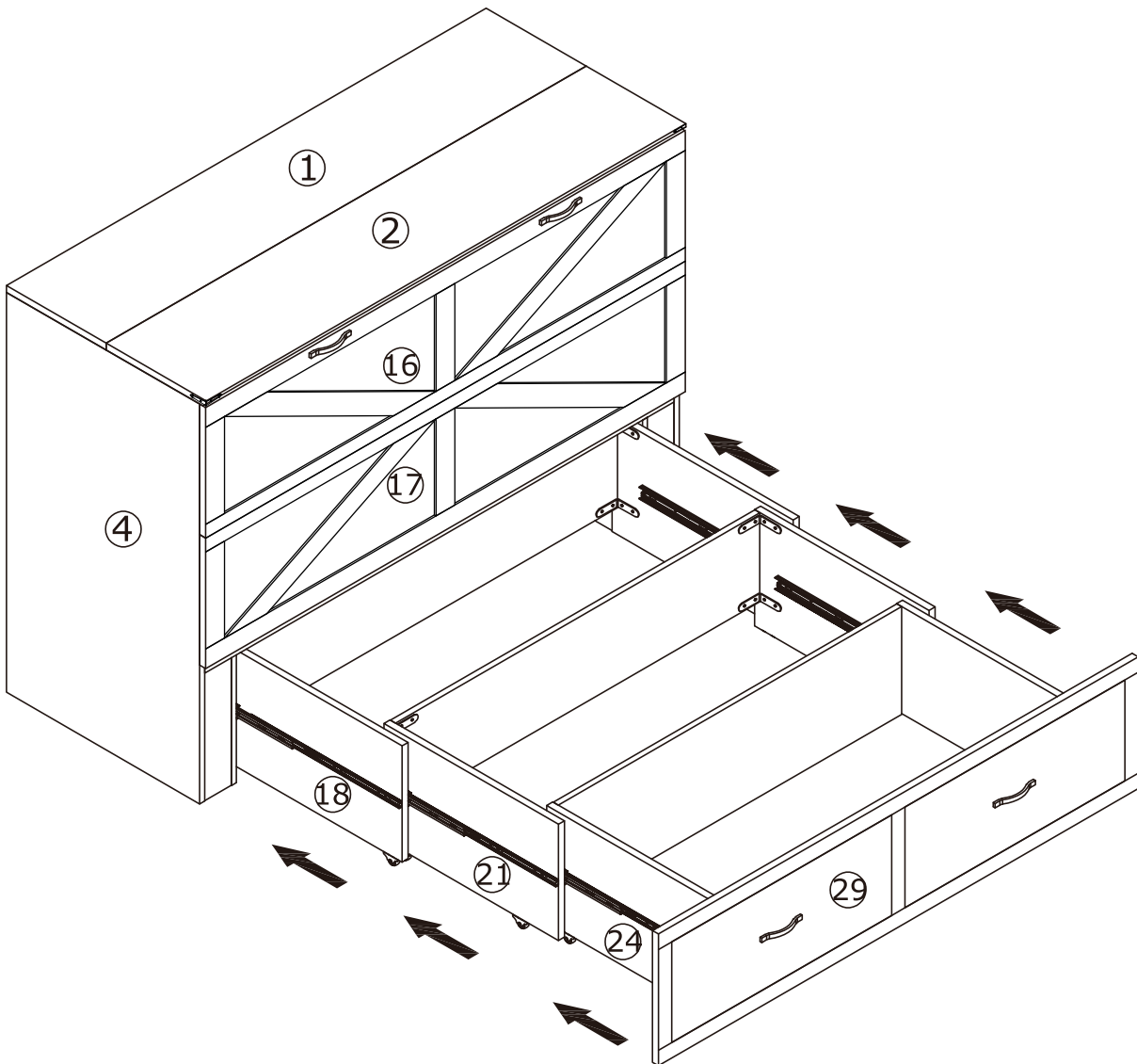
53



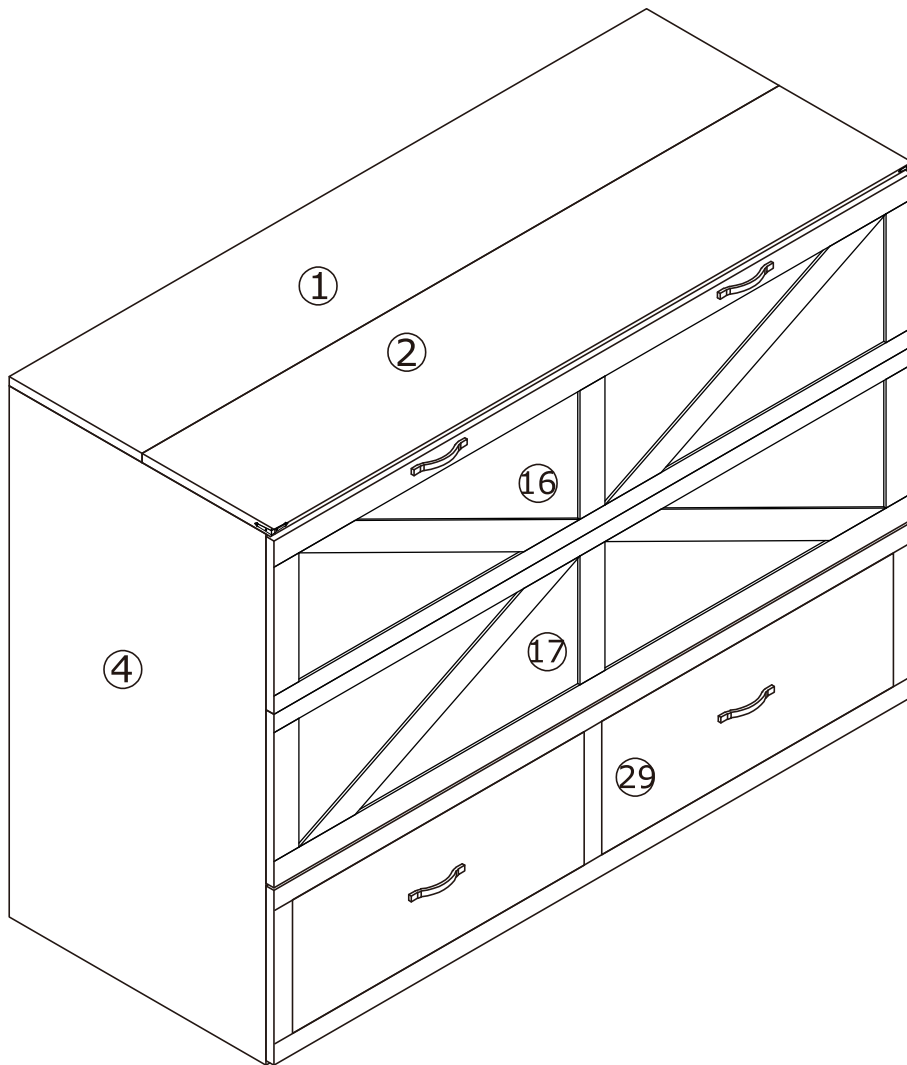
54



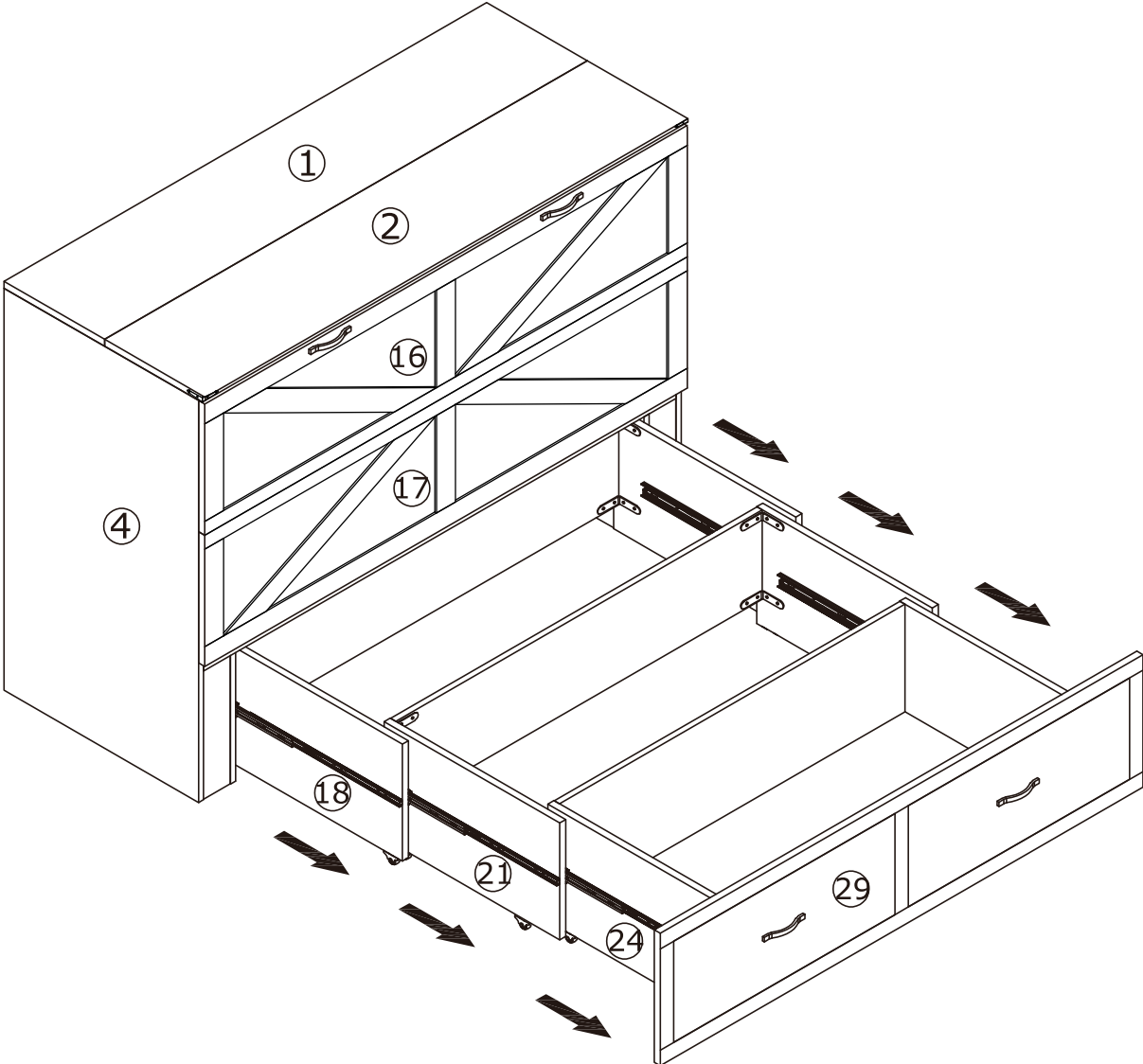
55



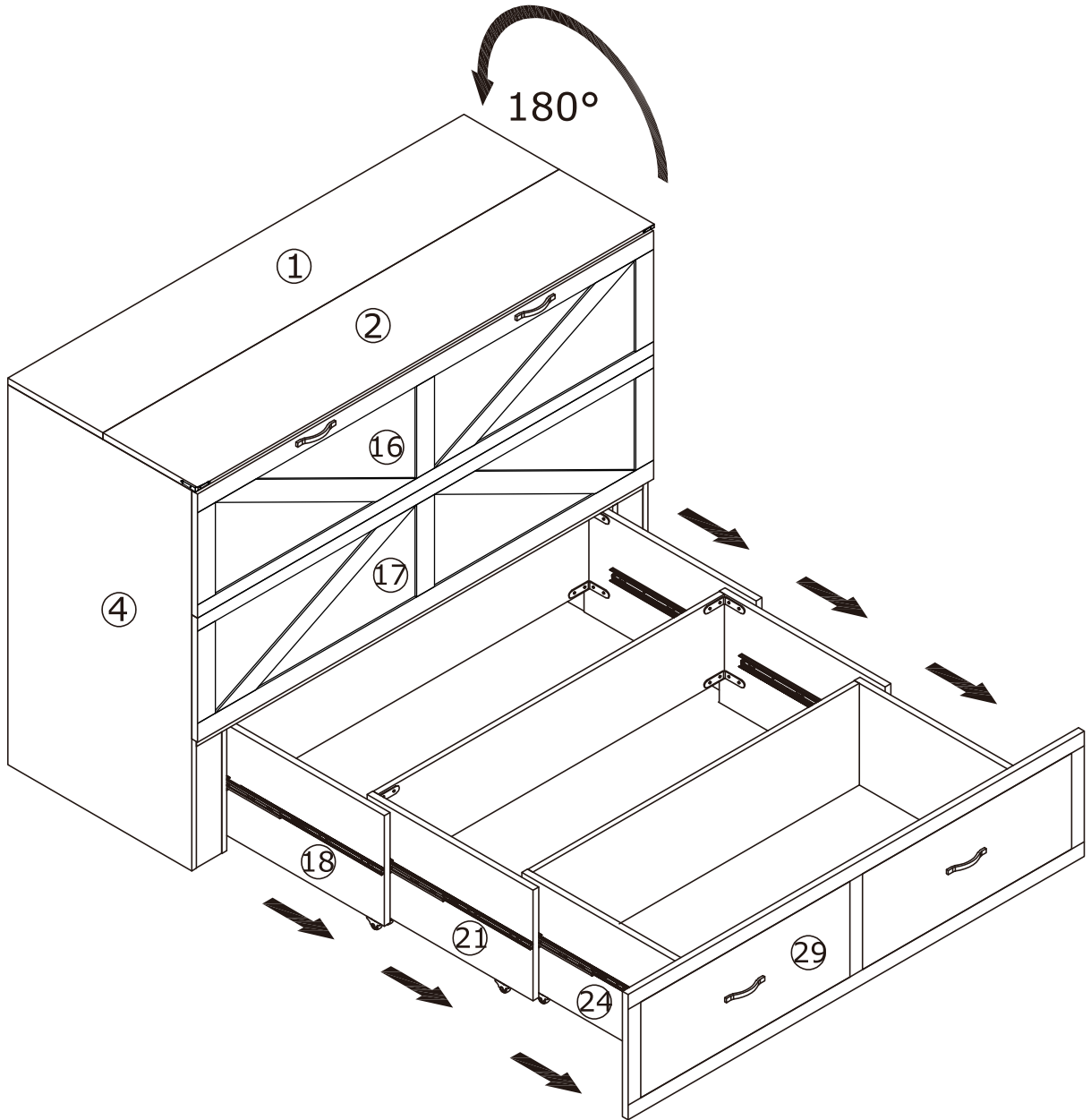
56



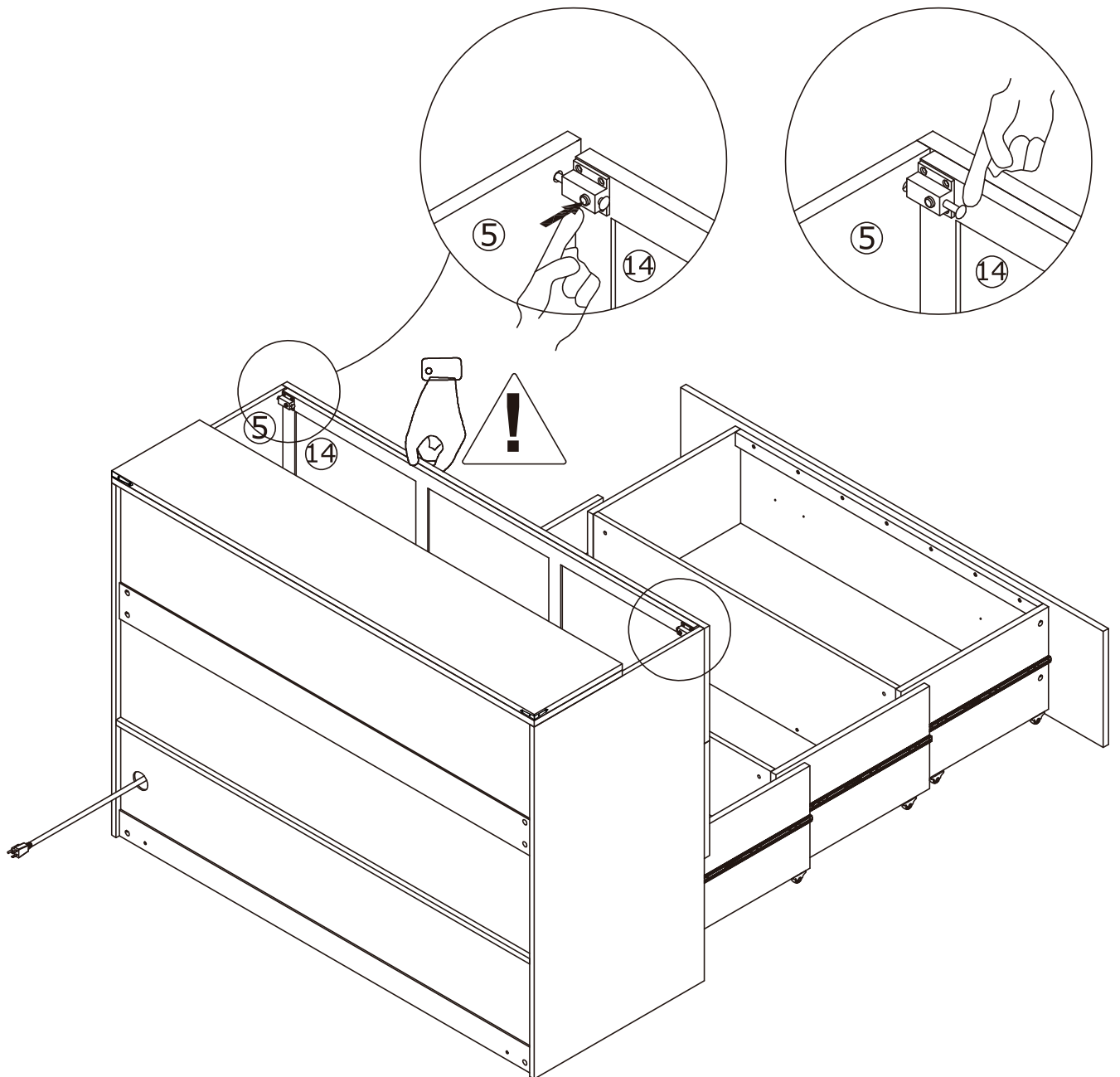
57



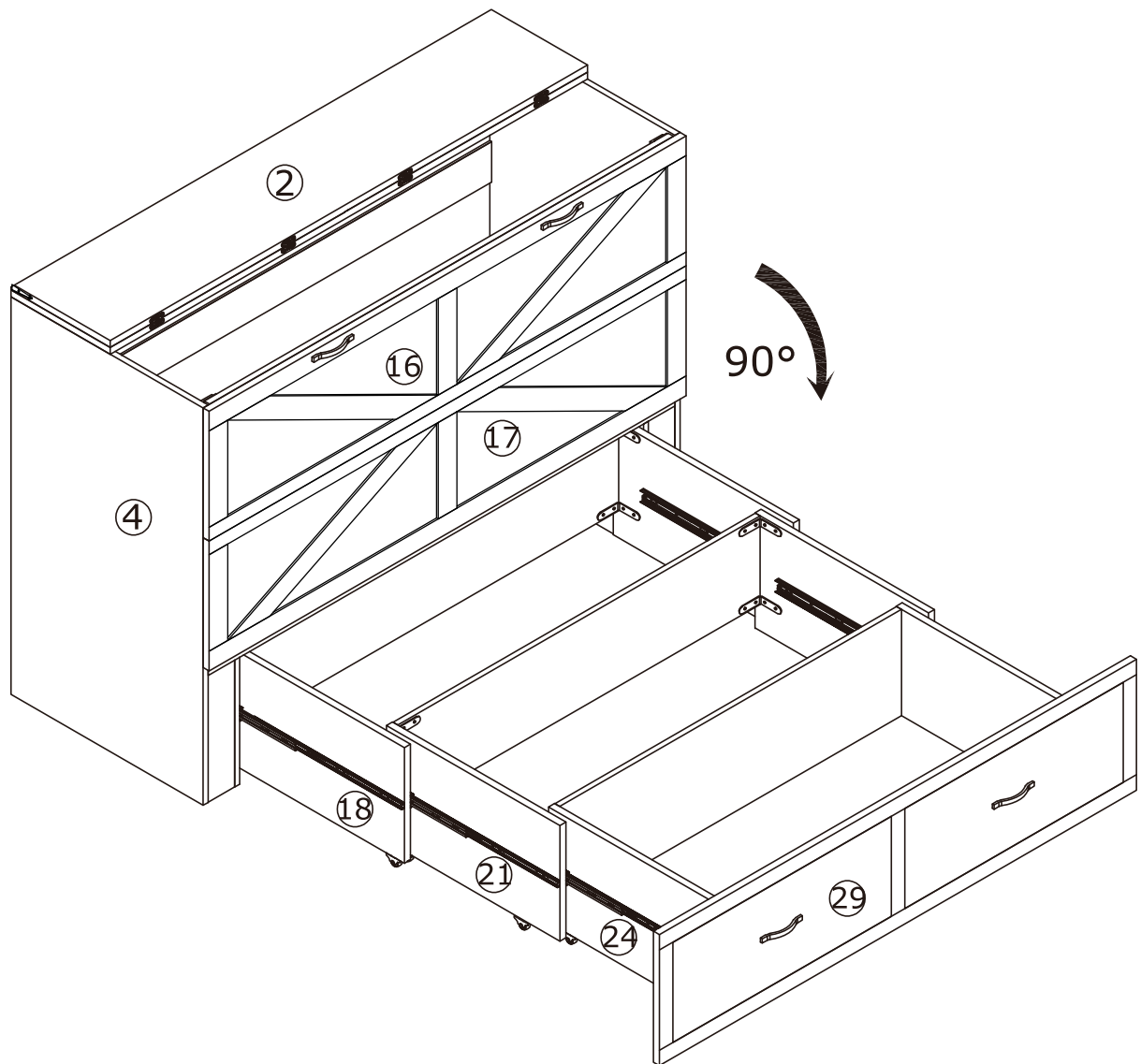
58



59



60



61

