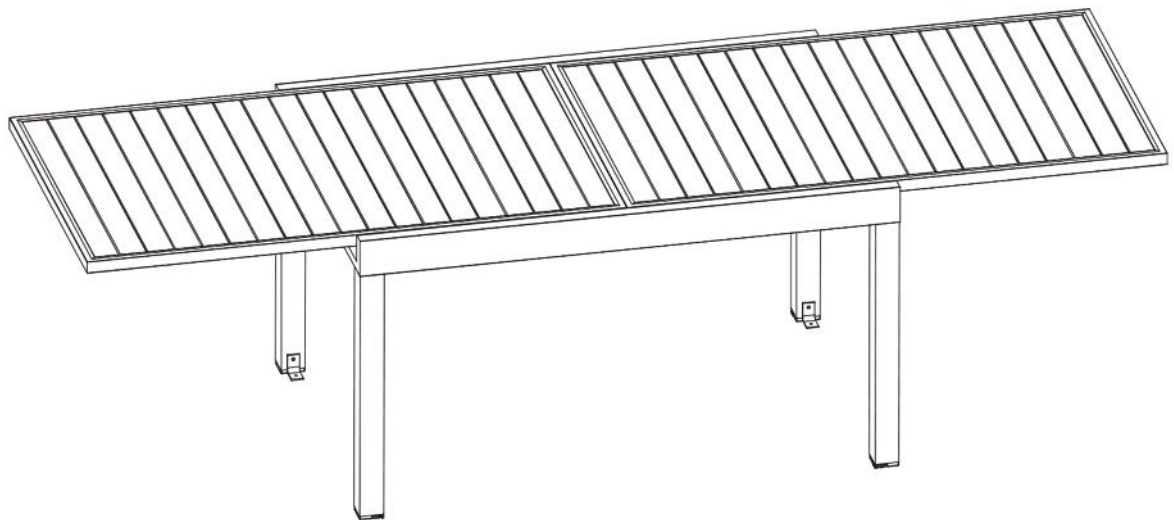
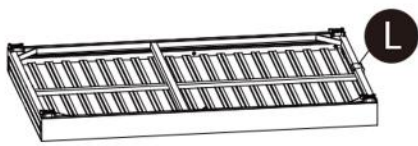


# **Aluminum Extendable Dining Table**

## **ASSEMBLY MANUAL**





**L**



**B** x4



**C** x4



**G** x4



**H** x4

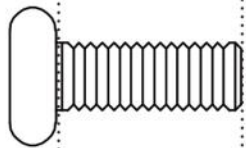


**J** x1

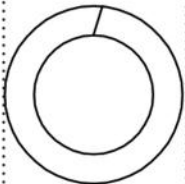


**K** x1

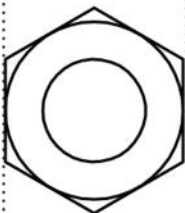
**A** x1



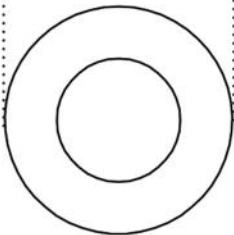
**I** x4 M6\*16



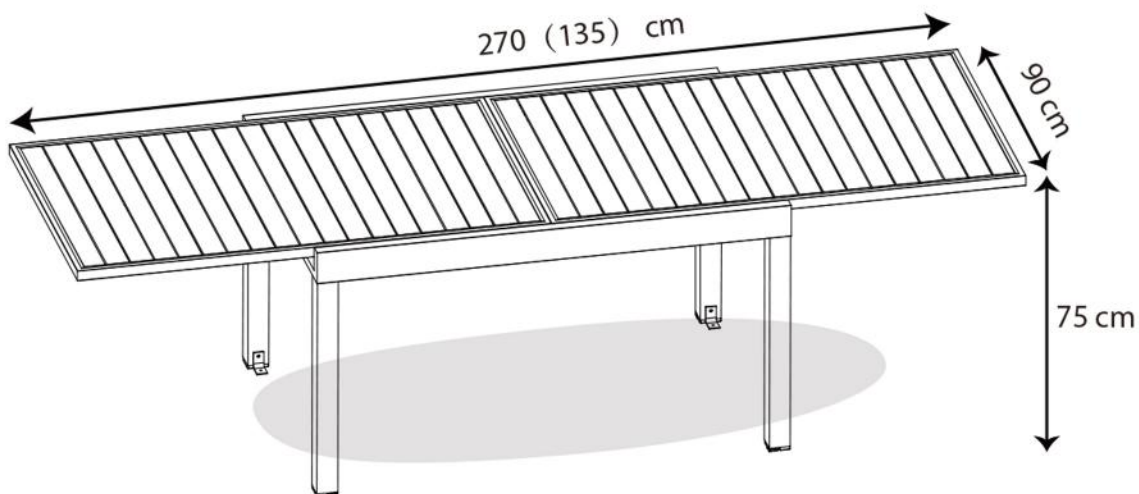
**E** x8



**F** x8

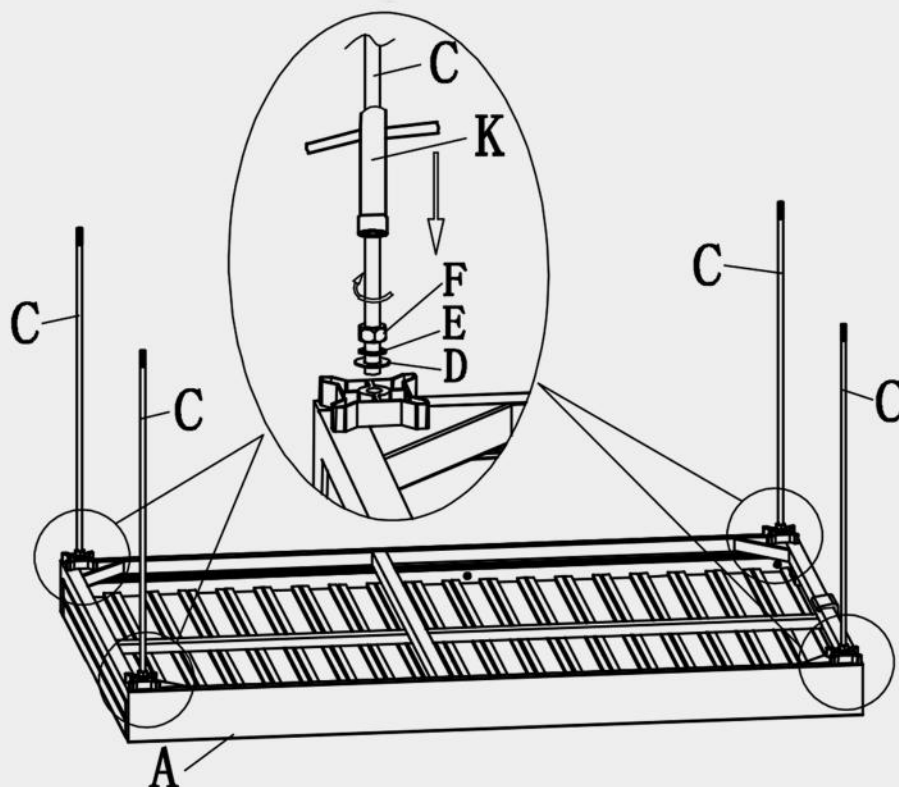
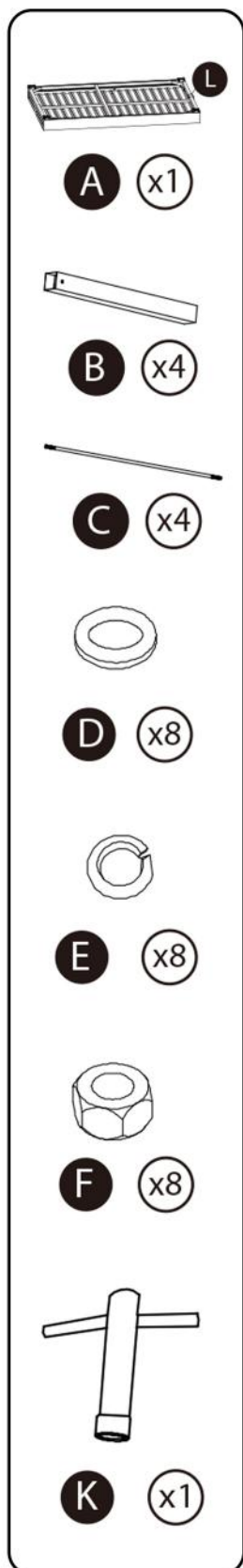


**D** x8



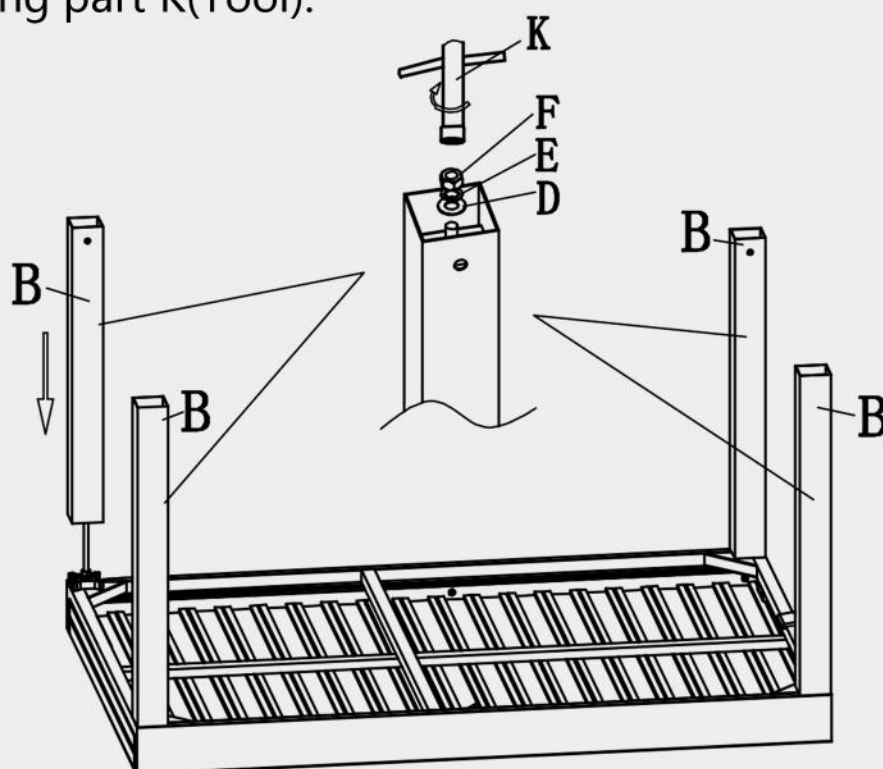
## Step 1:

Screw part F to part C, then put on E and D. Finally, assemble part C to part A by lock F with part K(Tool).



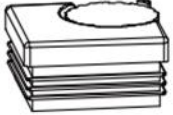
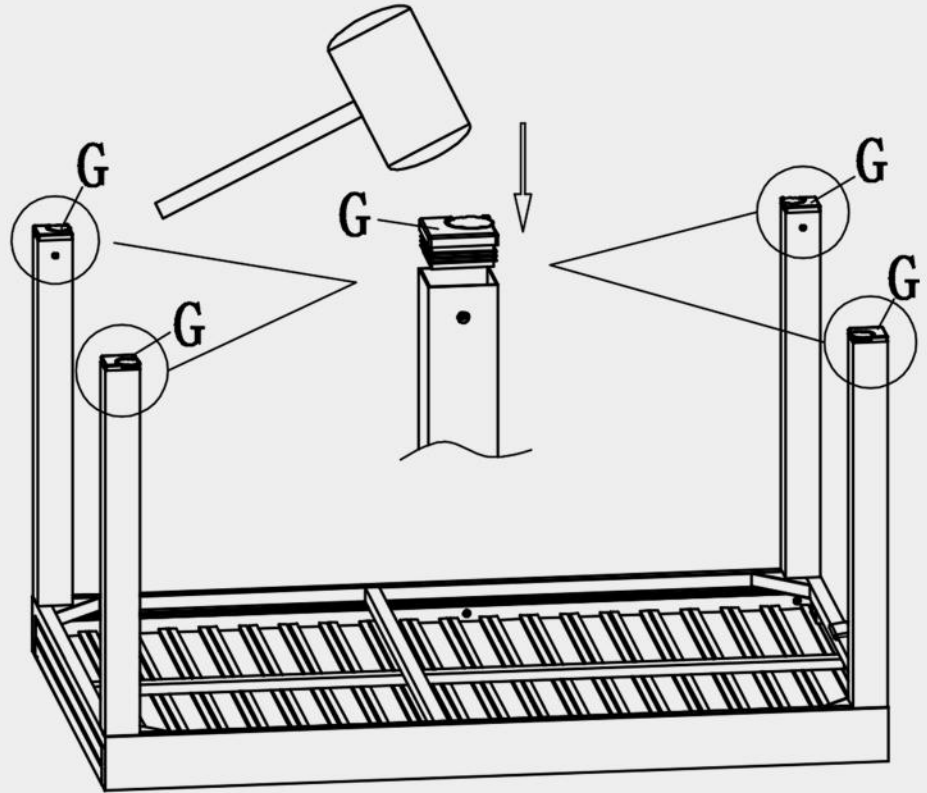
## Step 2:

Cover part C with part B, then put D,E shown in the diagram. Then lock part F(screw) using part K(Tool).



### Step 3:

Knock part G using hammer as shown in the diagram. (Hammer is not included.)



**G** (x4)



**H** (x4)



M6\*16

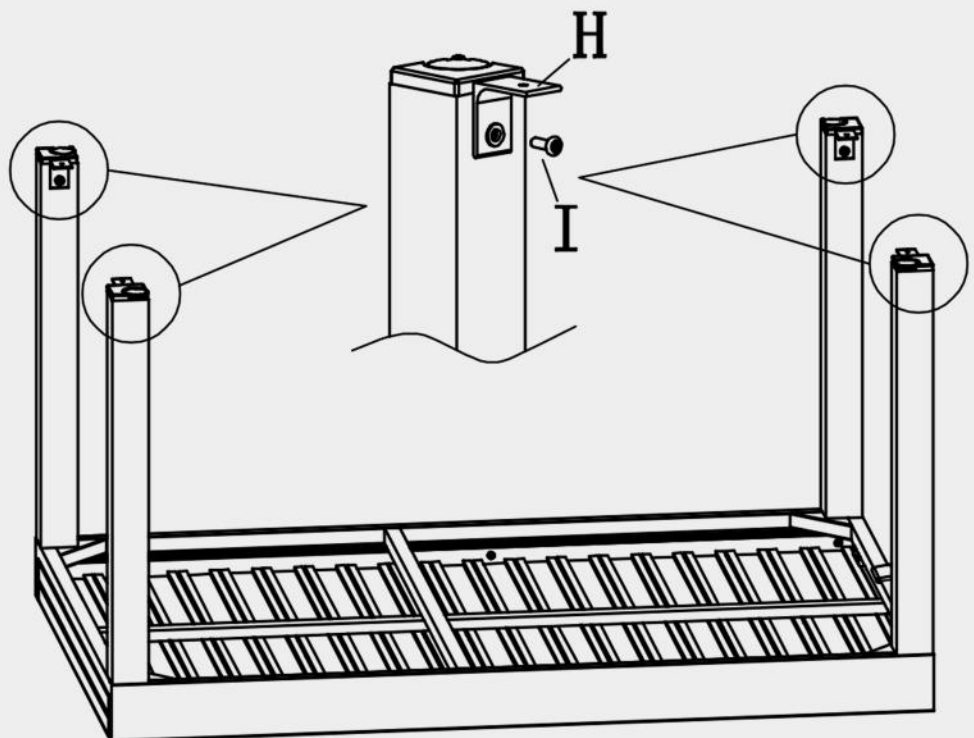
**I** (x4)



**J** (x1)

### Step 4:

Fix part H to the leg as shown in the diagram with screws (part I) using the wrench (part J).



# How to use it?

