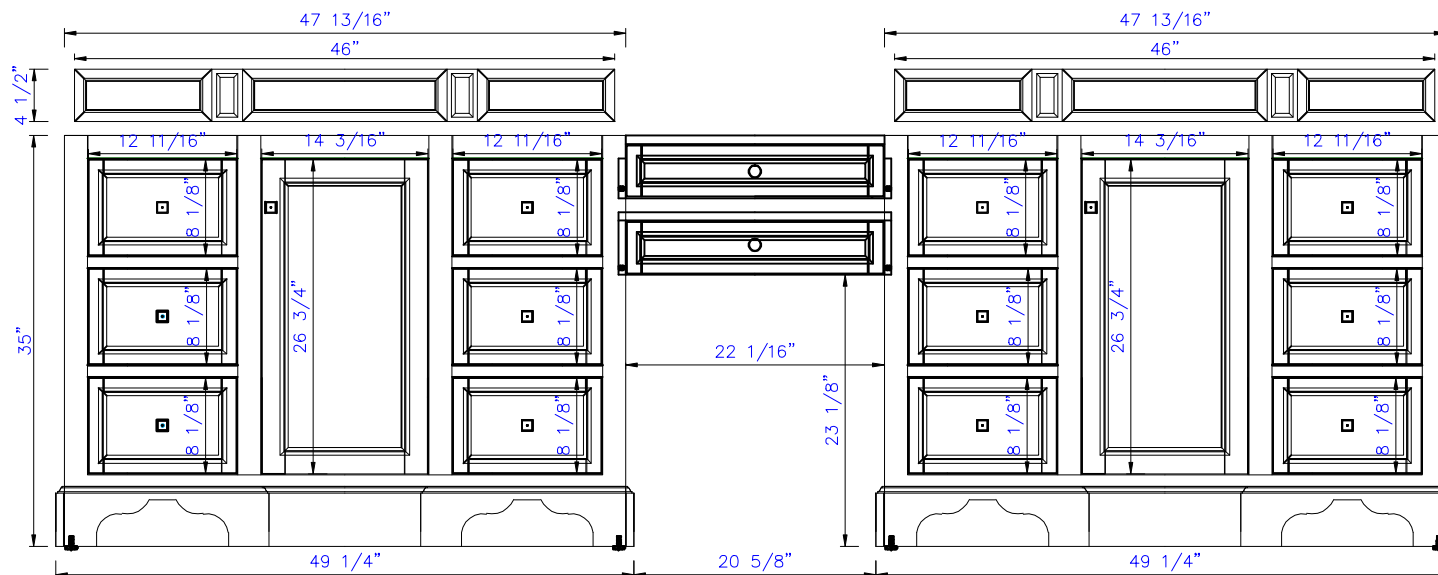


117 11/16"

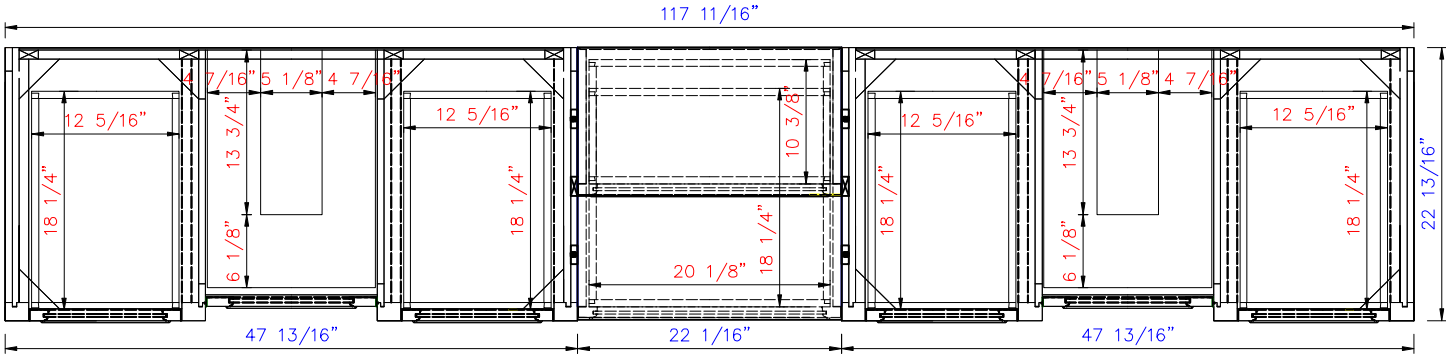


NOTE ONE: Countertops are not shown in these diagrams .(Cabinet Only)

NOTE TWO: Wood Backsplash (Shown) is designed for the molding detail to align with sinks in the Optional Countertops.

Customers' own countertops and sinks may align differently.

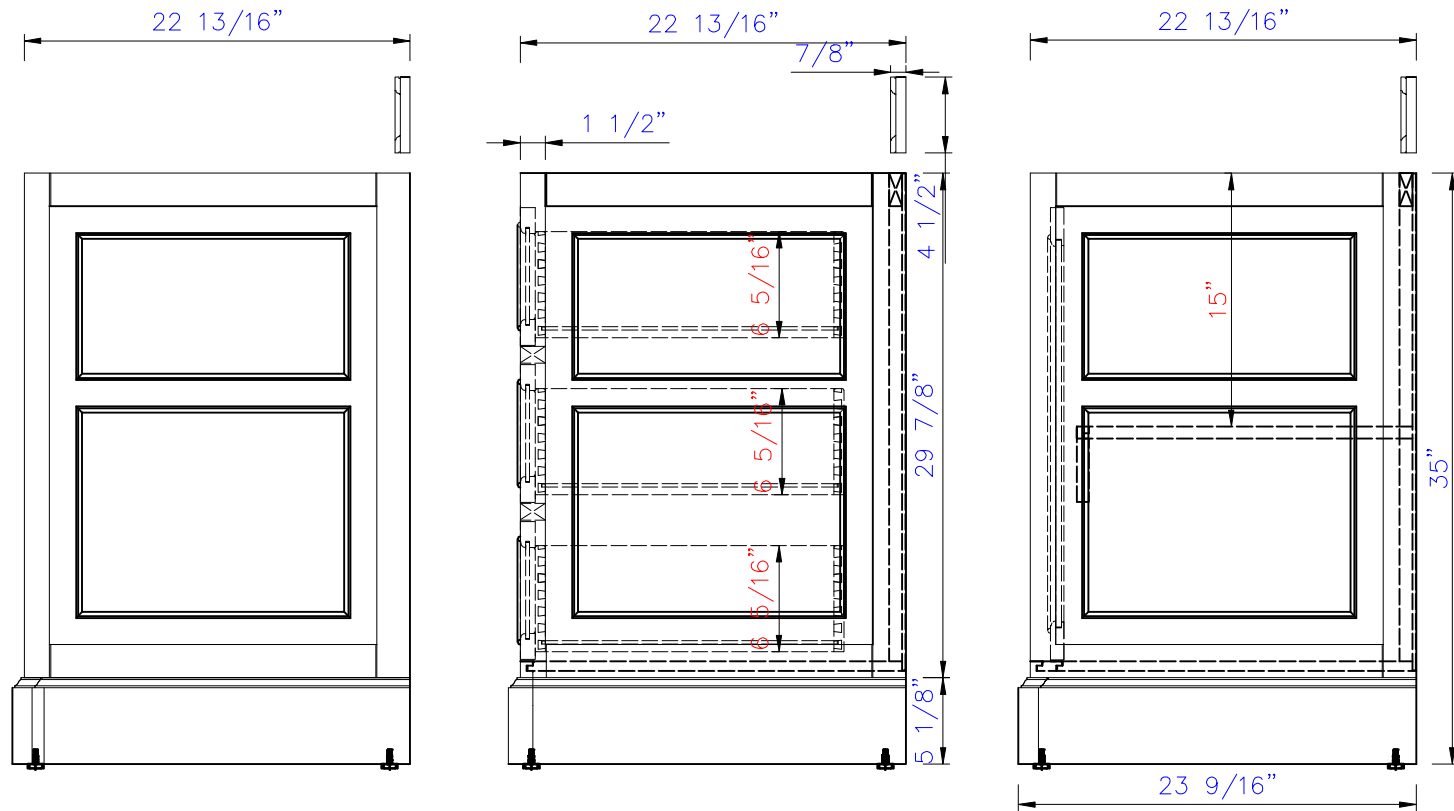
117 11/16"



NOTE ONE: Countertops are not shown in these diagrams .(Cabinet Only)

NOTE TWO: Internal Shelves (Shown) are designed to align with sinks in the Optional Countertops. Customers' own countertops and sinks may align differently, and modification may be required.

117 11/16"

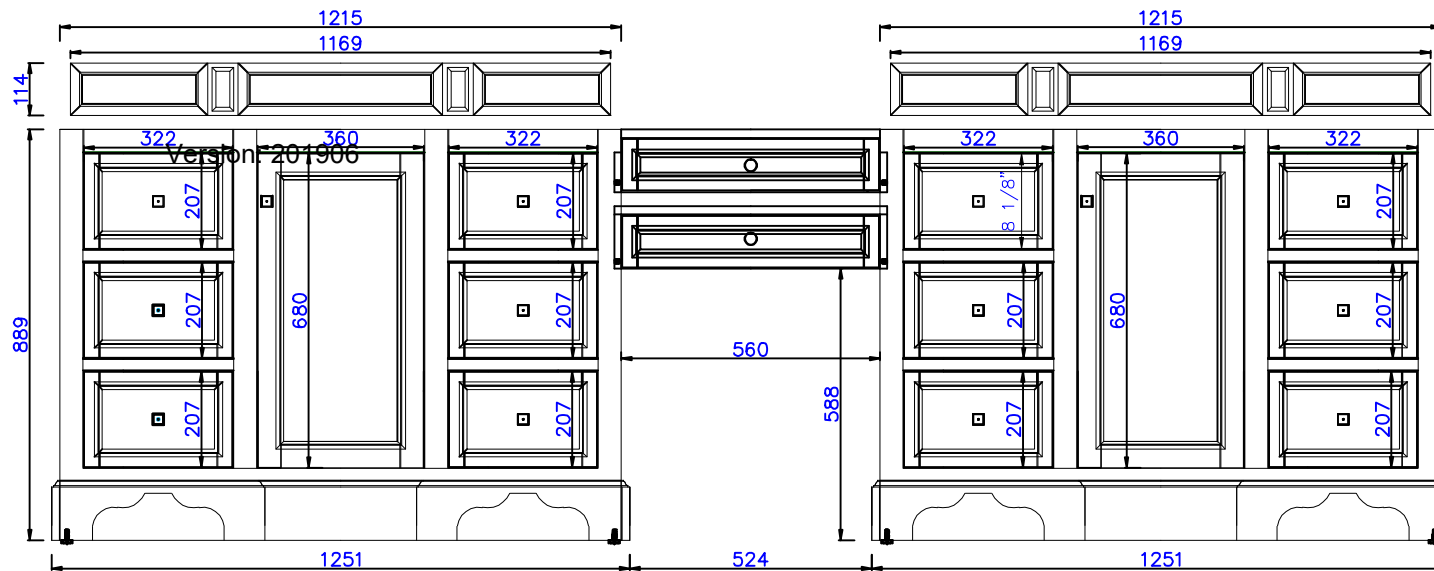


NOTE ONE: Countertops are not shown in these diagrams .(Cabinet Only)

NOTE TWO: Wood Backsplash (Shown) is designed for the molding detail to align with sinks in the Optional Countertops.

Customers' own countertops and sinks may align differently.

2990mm



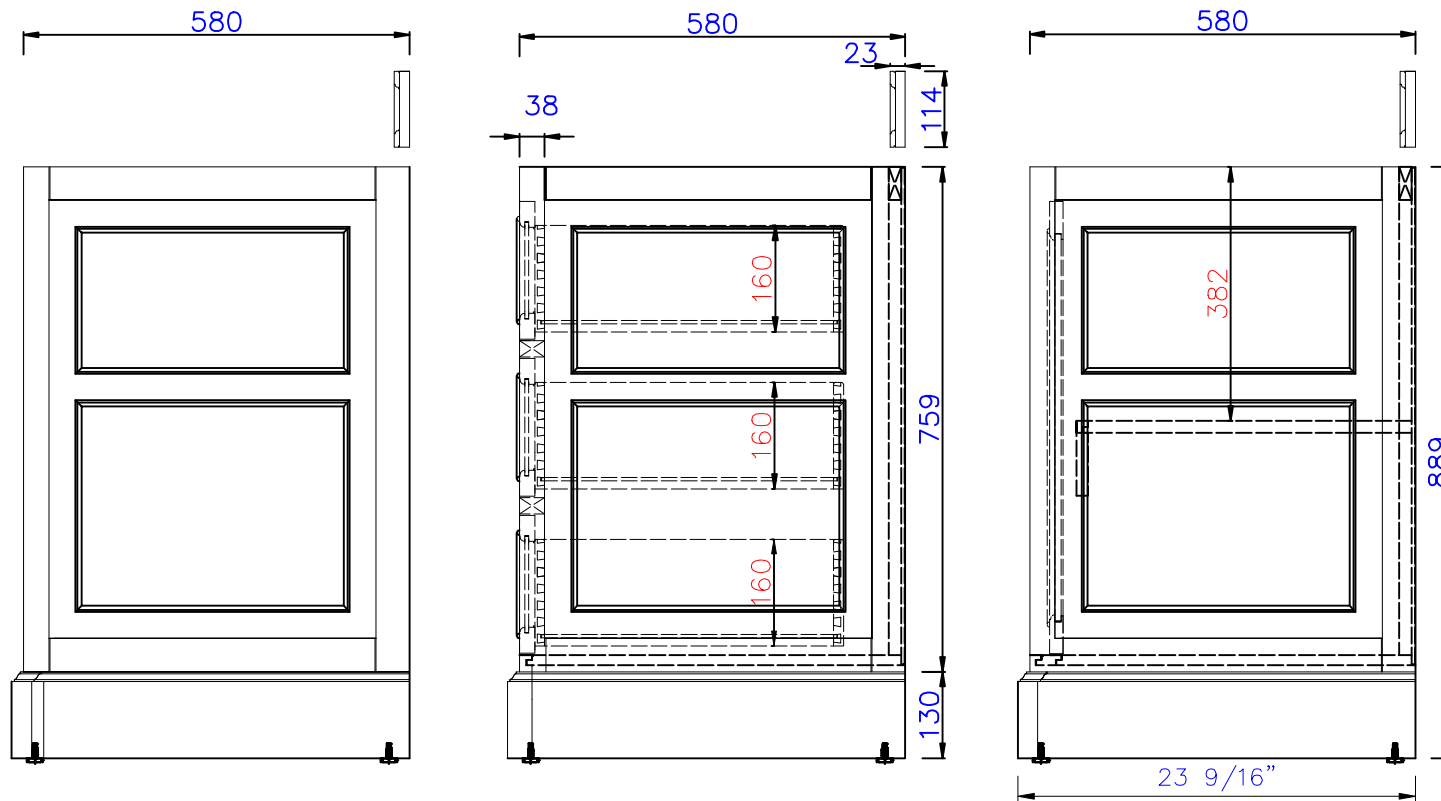
NOTE ONE: Countertops are not shown in these diagrams .(Cabinet Only)

NOTE TWO: Wood Backsplash (Shown) is designed for the molding detail to align with sinks in the Optional Countertops.

Customers* own countertops and sinks may align differently.

2990mm

Diagrams with Dimensions
page 03 of 03



NOTE ONE: Countertops are not shown in these diagrams .(Cabinet Only)

NOTE TWO: Wood Backsplash (Shown) is designed for the molding detail to align with sinks in the Optional Countertops.

Customers' own countertops and sinks may align differently.

Version: 201906