






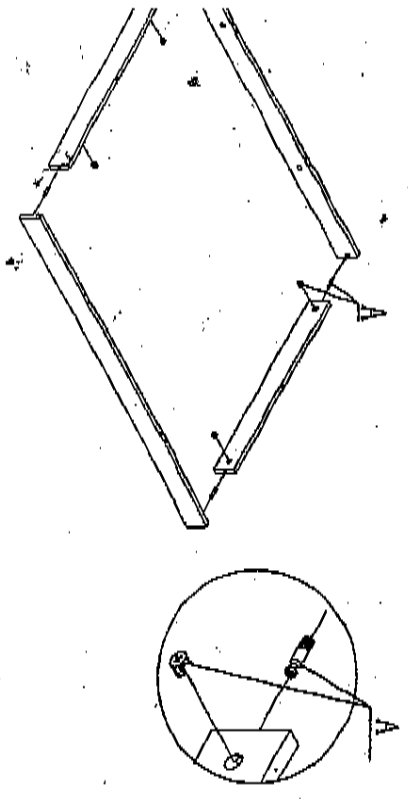
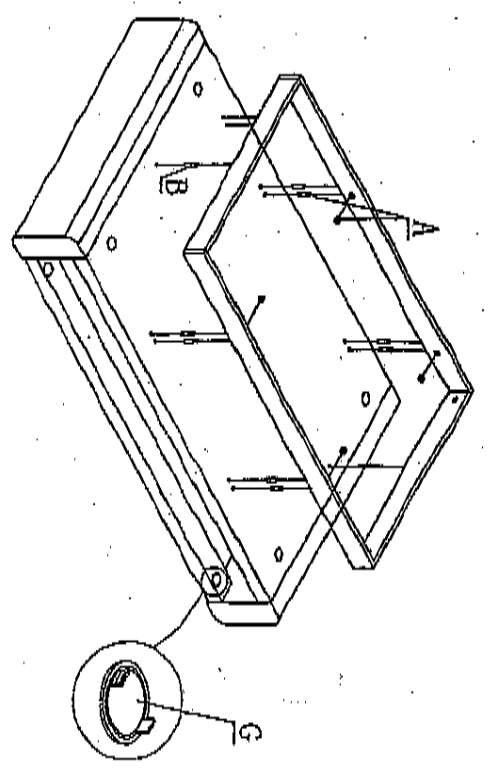


MG FITTINGS

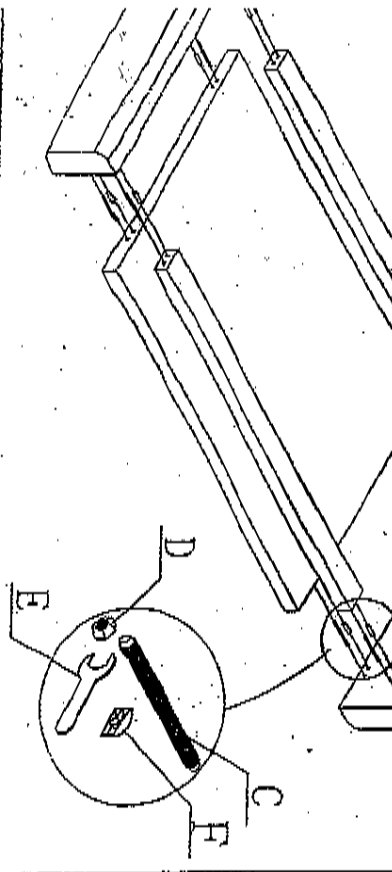
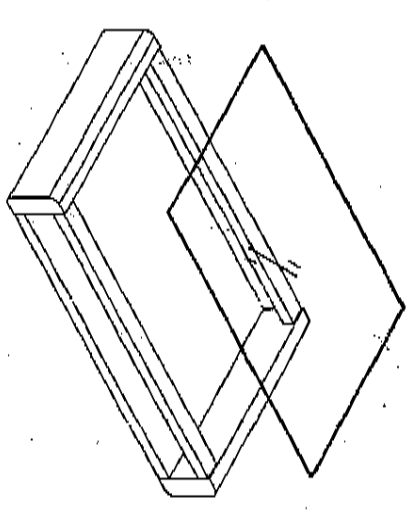
SPEC.	AMOUNT	FITTINGS	SPEC.	AMOUNT
 $\phi 15$	8PCS	B	 $\phi 8 \times 30$	14PCS
 L=95mm	8PCS	D	 M8	8PCS
 14mm	1PC	F		8PCS
 $\phi 38$	4PCS			



3



4



5

