



# WARNING!!

Children have died from furniture tipover. Tip restraints have been included with this product; you must install the tip restraints according to these instructions in order to minimize the risk of furniture tipping. If you have any questions about this product or the tip restraint, please send us an email at [tip\\_restraint\\_help@Noblehousefurniture.com](mailto:tip_restraint_help@Noblehousefurniture.com)

**NEVER** allow children to climb or hang on furniture, including drawers or cabinet doors.

In addition to installing the restrains, to help prevent tip-over

1. **NEVER** put a TV or other heavy objects on top of this product".
2. Do not stand on the product

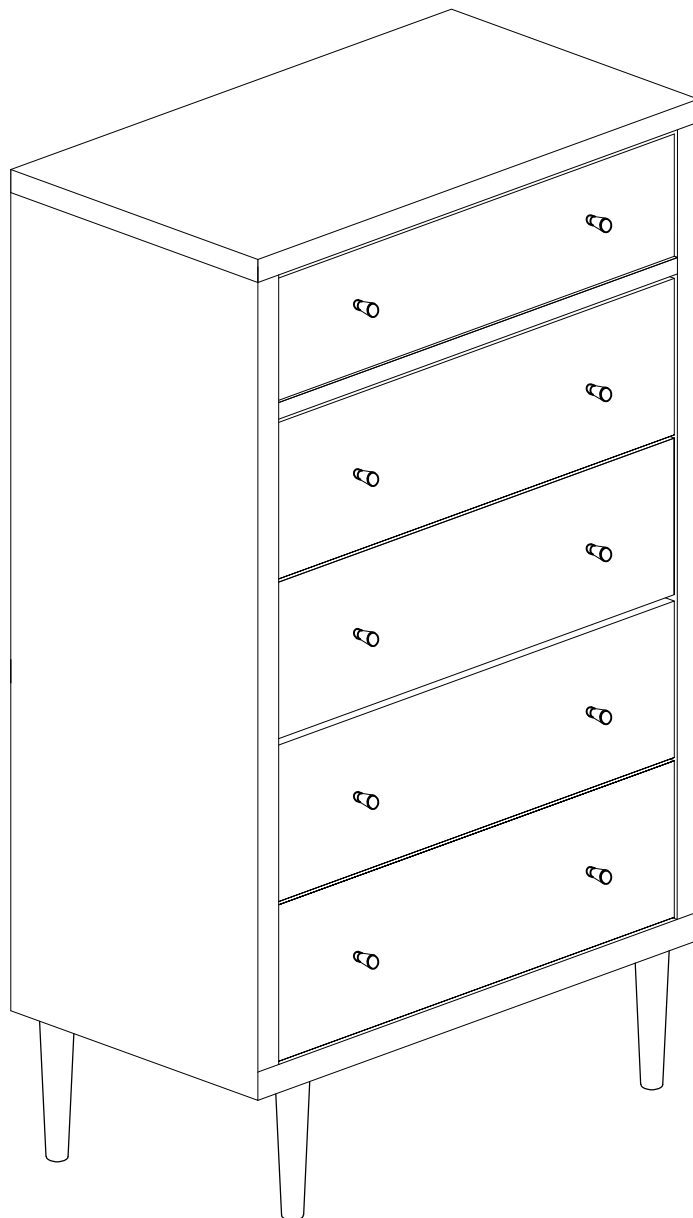
	<p><b>Children have died from furniture tipover. To reduce the risk of furniture tipover:</b></p> <ul style="list-style-type: none"><li>• ALWAYS install tipover restraint provided.</li><li>• NEVER put a TV on this product.</li><li>• NEVER allow children to stand, climb or hang on drawers, doors, or shelves.</li><li>• NEVER open more than one drawer at a time.</li><li>• Place heaviest items in the lowest drawers.</li><li>• Do not defeat or remove the drawer interlock system.</li></ul> <p><i>This is a permanent label. Do not remove!</i></p>
	

# Assembly Instructions

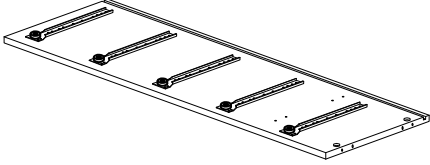
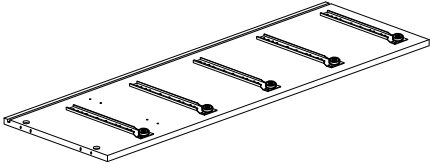
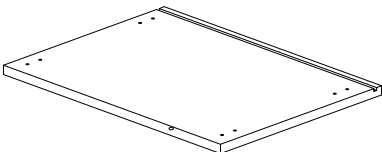
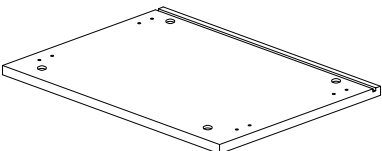
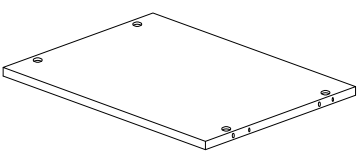
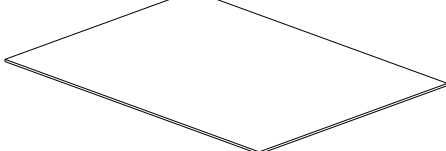
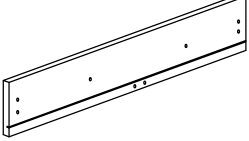
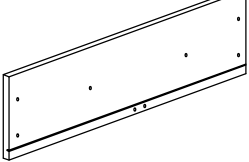
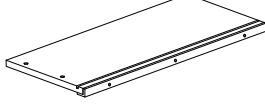

**Caution : You must read this before you proceed**

**Please look in \*\*\*\*\* for hardware packs and legs.  
Sets often ship in multiple boxes and may arrive a day or two apart.**

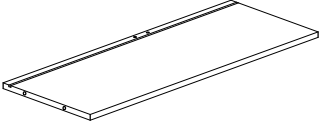
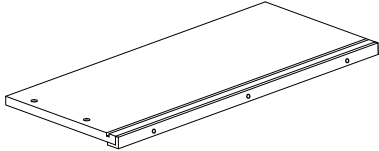
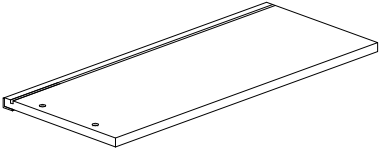
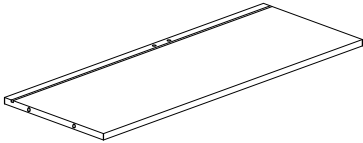
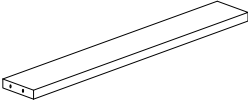
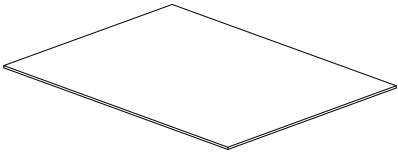

## **CHEST**







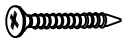

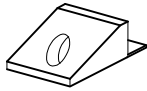



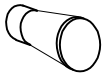


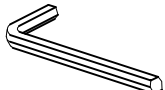
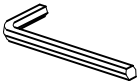

# Parts List

Label	Picture	Description	QTY
A		Right Side Panel	1
B		Left Side Panel	1
C		Top Panel	1
D		Bottom Panel	1
E		Fixed Panel	1
F		Back Panel	2
G		Drawer Front - Small	1
H		Drawer Front - Large	4
I		Drawer Right Panel - Small	1
J		Drawer Left Panel - Small	1

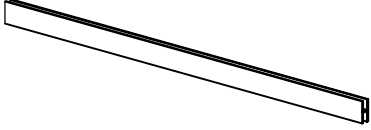
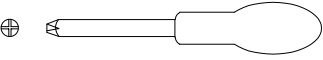
# Parts List

Label	Picture	Description	QTY
K		Drawer Back Panel - Small	1
L		Drawer Right Panel - Large	4
M		Drawer Left Panel - Large	4
N		Drawer Back Panel - Large	4
O		Drawer Bottom Support	5
P		Drawer Base	5
Q		Leg	4

# Hardware

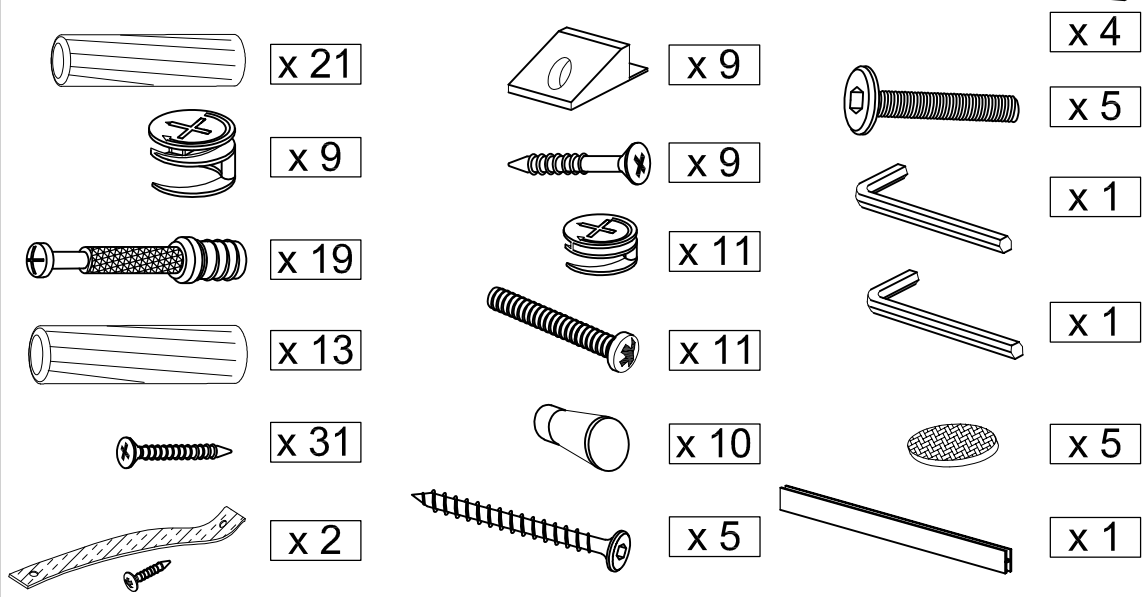
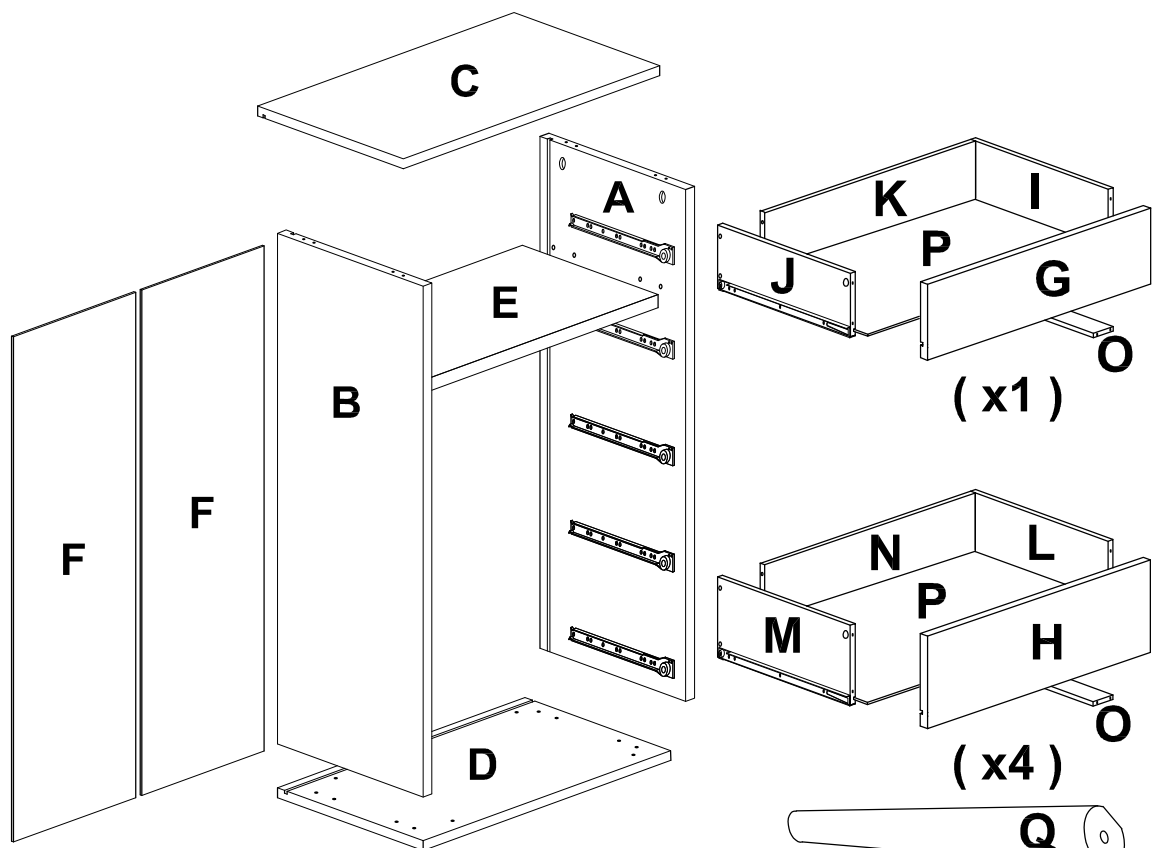
Label	Picture	Description	QTY
①		Wood Dowel (Ø6 X 30mm)	21
②		Large Camlock (15 X 12mm)	9
③		Cam Bolt	19
④		Wood Dowel (Ø8 X 30mm)	13
⑤		Flat Head Screw (M3.5 x 25mm)	31
⑥		Anti Tip Strap + Screw	2
⑦		Backply Stopper	9
⑧		Flat Head Screw (M3 x 20mm)	9
⑨		Small Camlock (15 X 9mm)	11
⑩		Pan Head Bolt (M4 x 25mm)	11
⑪		Knob	10
⑫		Allen Head Screw (M7 x 60mm)	5
⑬		Allen Head Bolt (M8 X 60MM)	5
⑭		Allen Wrench (M5)	1
⑮		Allen Wrench (M4)	1
⑯		Leveler	5

# Hardware

Label	Picture	Description	QTY
17		Pvc H	1
18		Screw Driver (Not Provided)	1

# Assembly Preparation

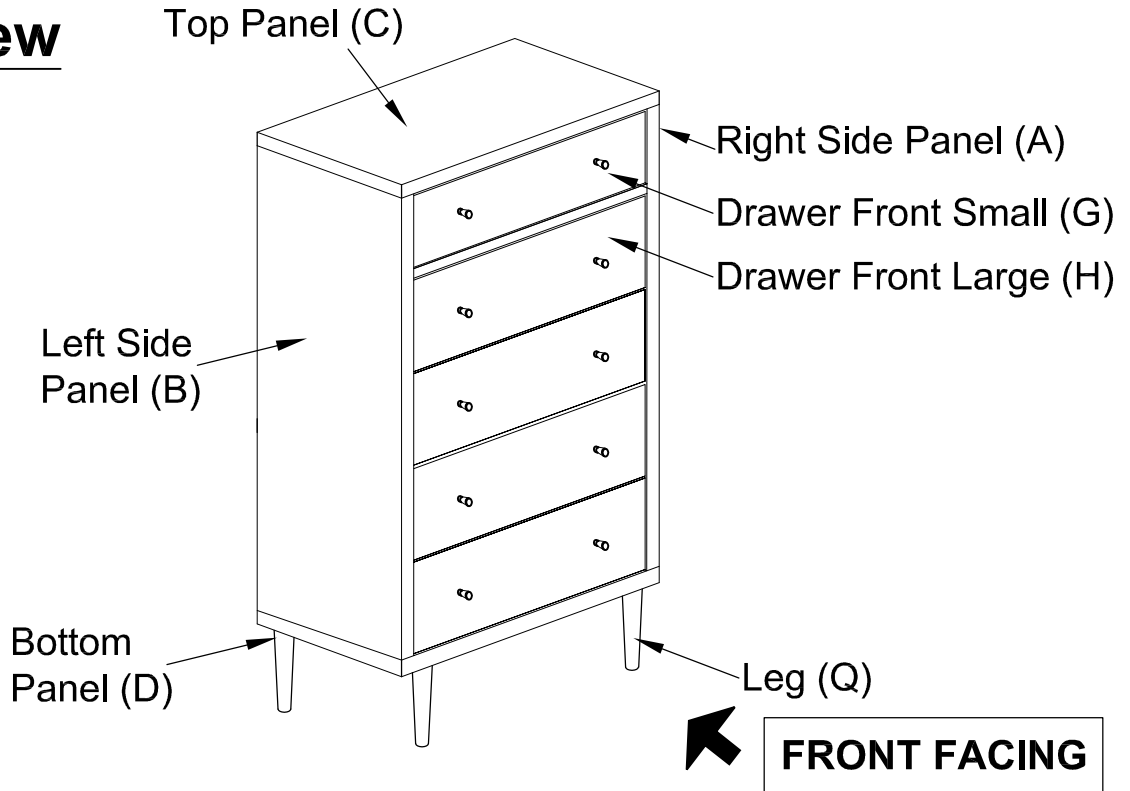
Before Beginning Assembly



- Read instructions, cover to cover-
- Have 2 adults on hand for assembly-
- Do not assemble on flooring or carpet-
- Assemble on a clean non-marring surface (packing foam)-
- Save all packaging until finished-

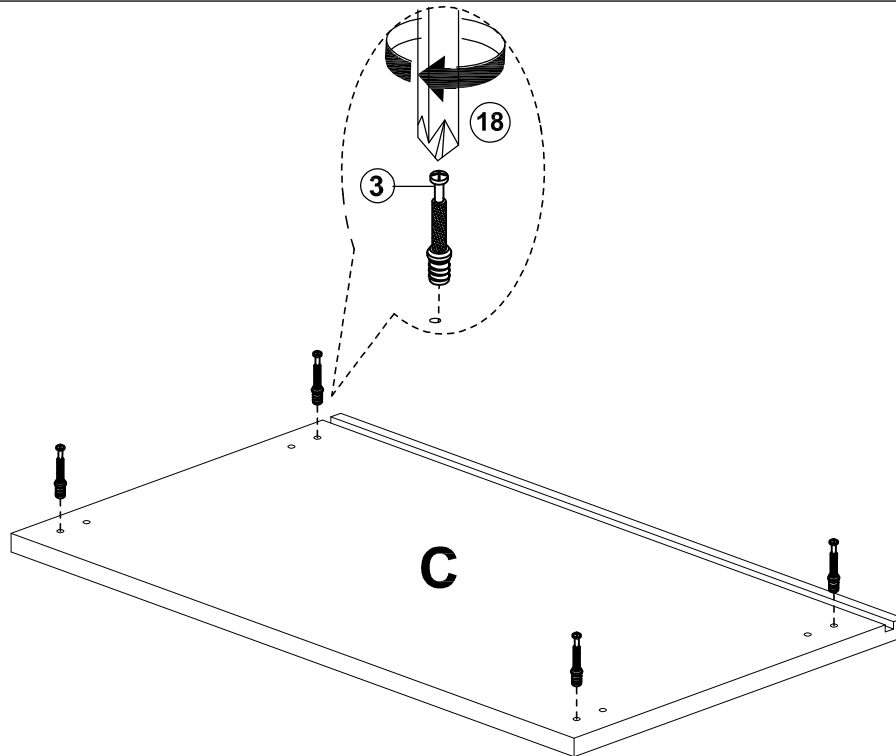
# Assembly Steps

## Overview



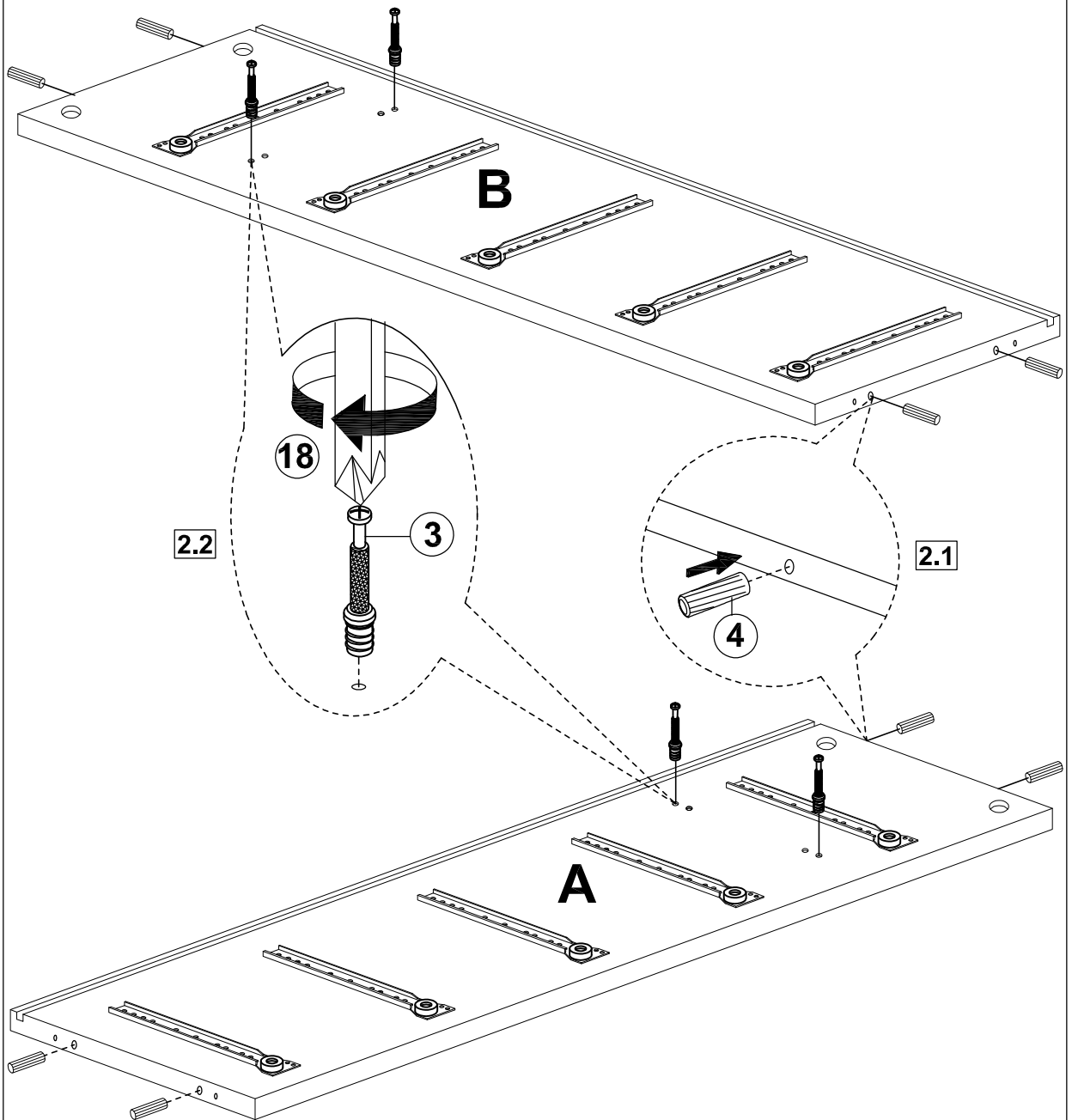
This Chest has multiple parts and may require up to 60 minutes to assemble. To give you an overview of the Chest, the above picture is to help you put the various parts into perspective. Please read through the instructions here below to familiarize yourself with the parts and steps before assembly.

## Step 1



Unpack and place all parts on a clean, non-marring surface.  
Attach Cam Bolts (3) to the mounting positions on the Top Panel (C) with a Screw Driver (18).

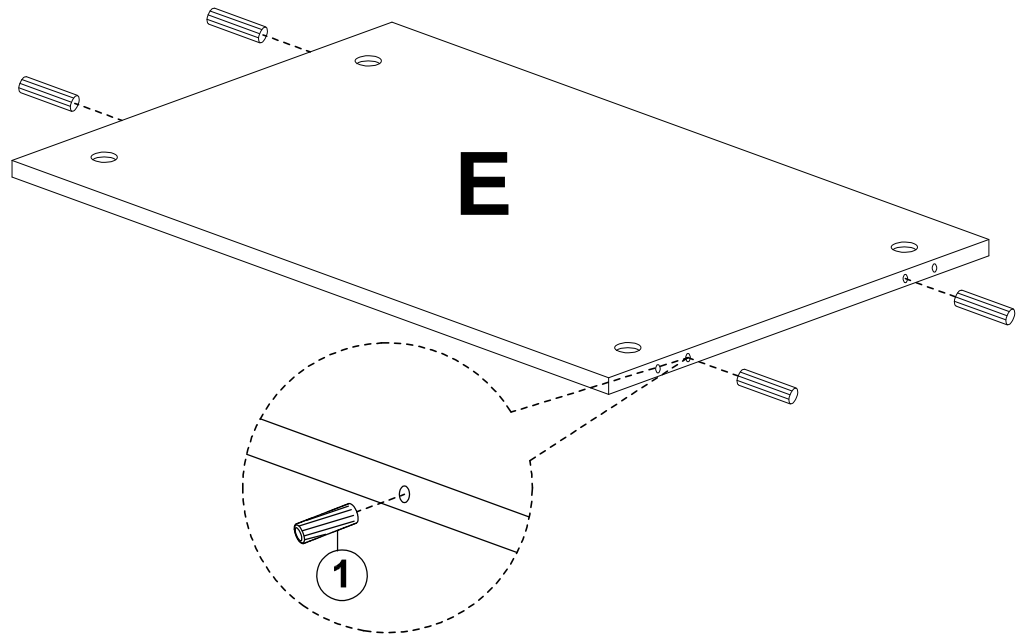
## Step 2



**2.1)** Insert Wood Dowels (4) into the mounting positions on the side edges of the Left Side Panel (B) and Right Side Panel (A).

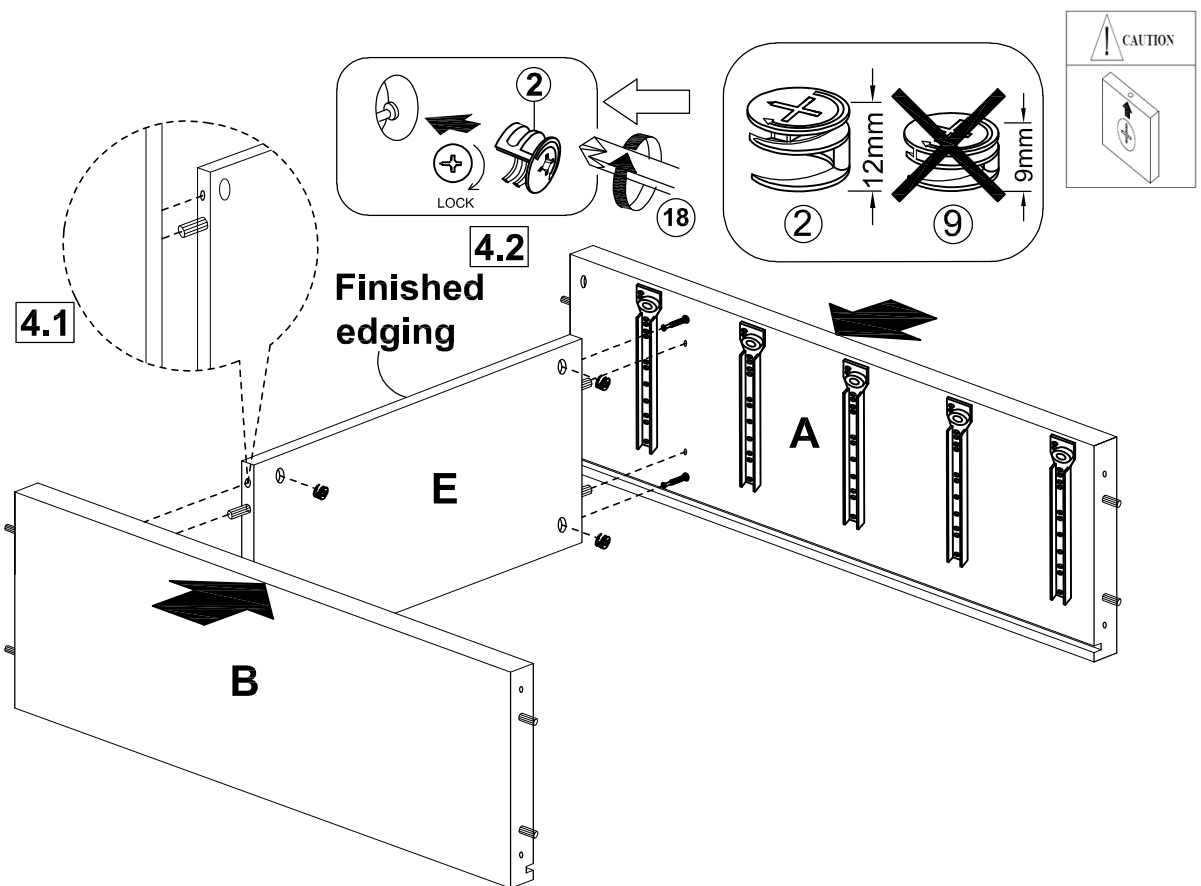
**2.2)** Attach Cam Bolts (3) into the mounting positions on Left Side Panel (B) and Right Side Panel (A) with the Screw Driver (18).

### Step 3



Insert Wood Dowels (1) into the mounting positions on the side edge of the Fixed Panel (E).

### Step 4

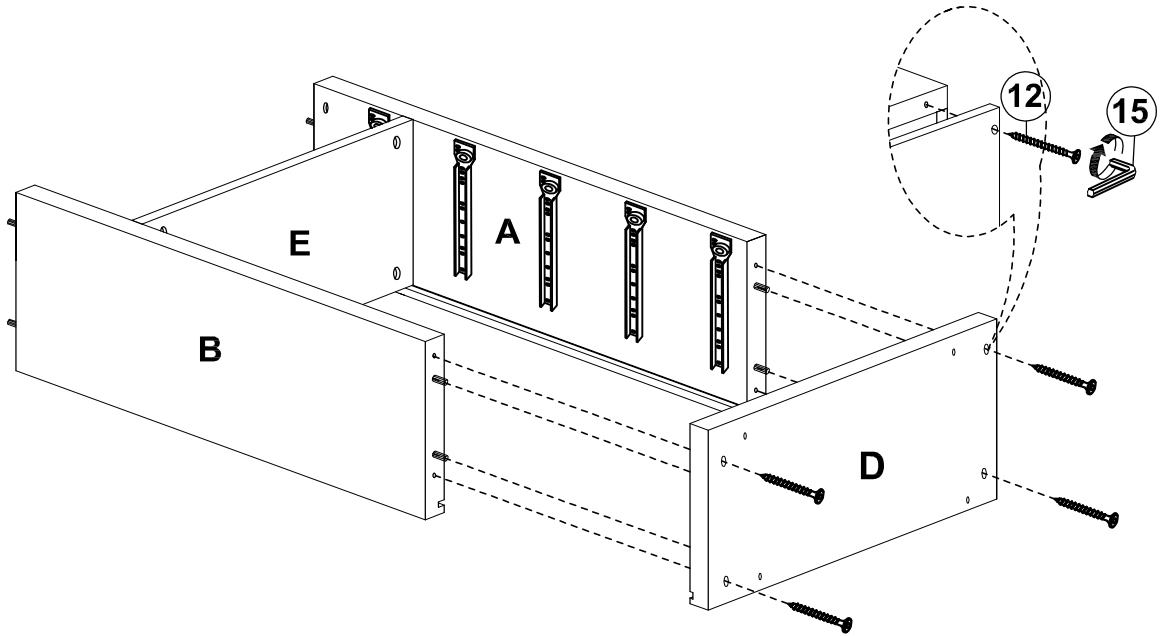


**4.1)** Attach Left Side Panel (B) and Right Side Panel (A) to Fixed Panel (E).

**4.2)** Insert Large Cam-locks (2) into the mounting positions on Fixed Panel (E) and turn clockwise to lock onto the cam-bolts using a Screw Driver (18).

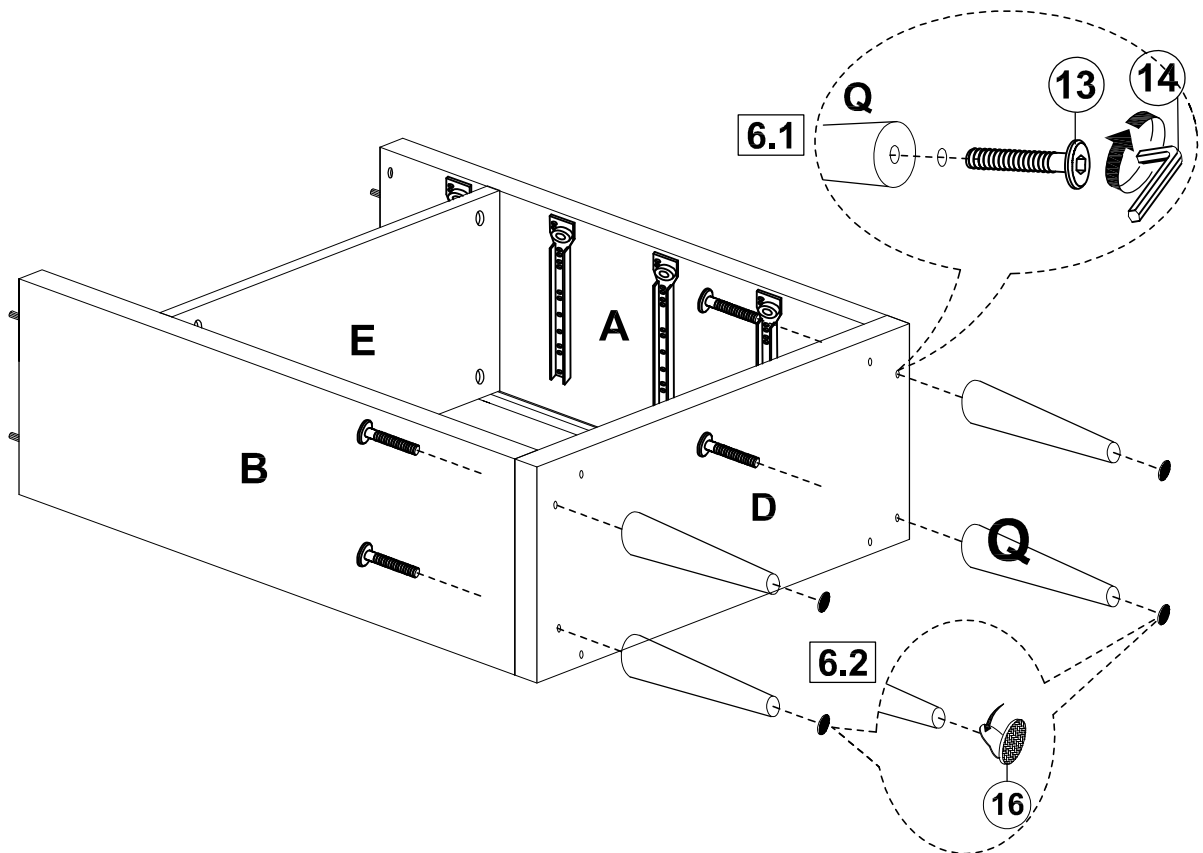
**CAUTION:** Insert the Cam-locks (2) per the correct orientation as indicated in the above picture.

## Step 5



Attach Bottom Panel (D) to Right Side Panel (A) & Left Side Panel (B) via the wood dowels respectively. Use Allen Head Screws (12) to fasten side panels to bottom panel using Allen Wrench (15).

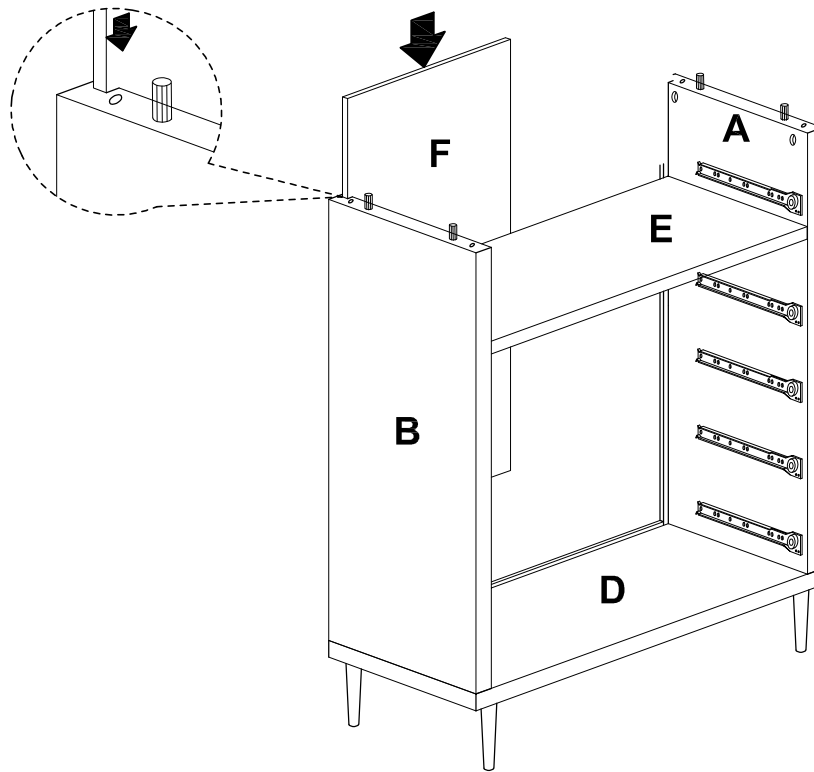
## Step 6



**6.1)** Attach Leg (Q) to Bottom Panel (D) as shown. Use Allen Head Bolts (13) to fasten Leg to the Bottom Panel (D) using Allen Wrench (14).

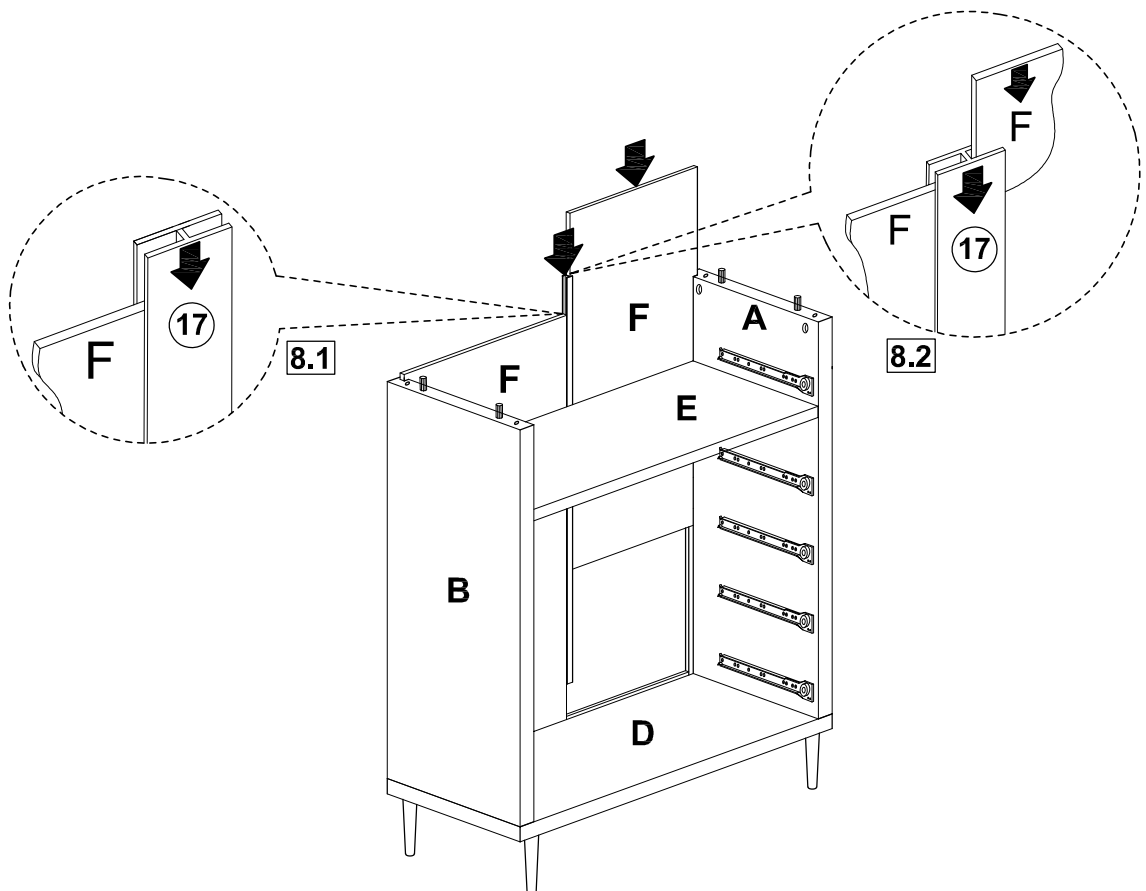
**6.2)** Paste a leveler (16) on the bottom of each Leg (Q).

## Step 7



Fit one of the Back Panels (F) to Left Side Panel (B) by inserting it into the grooves as shown.

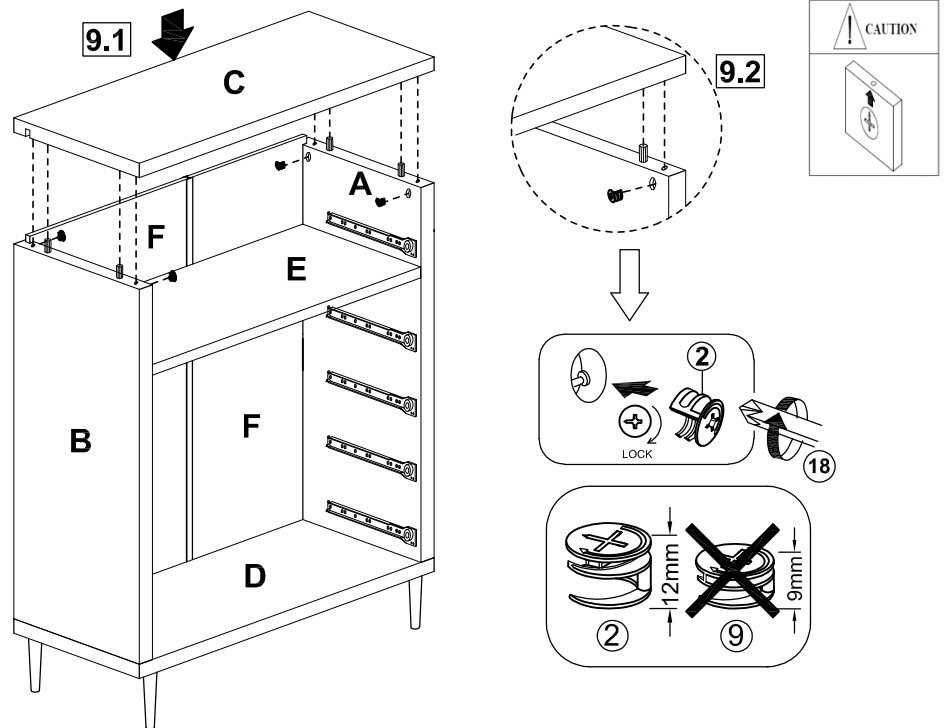
## Step 8



**8.1)** Slide the PVC-H (17) in lengthwise to joint the Back Panels (F) as shown.

**8.2)** Fit another Back Panel (F) by inserting it into the grooves on Right Side Panel (A) and PVC H (17) as shown.

## Step 9

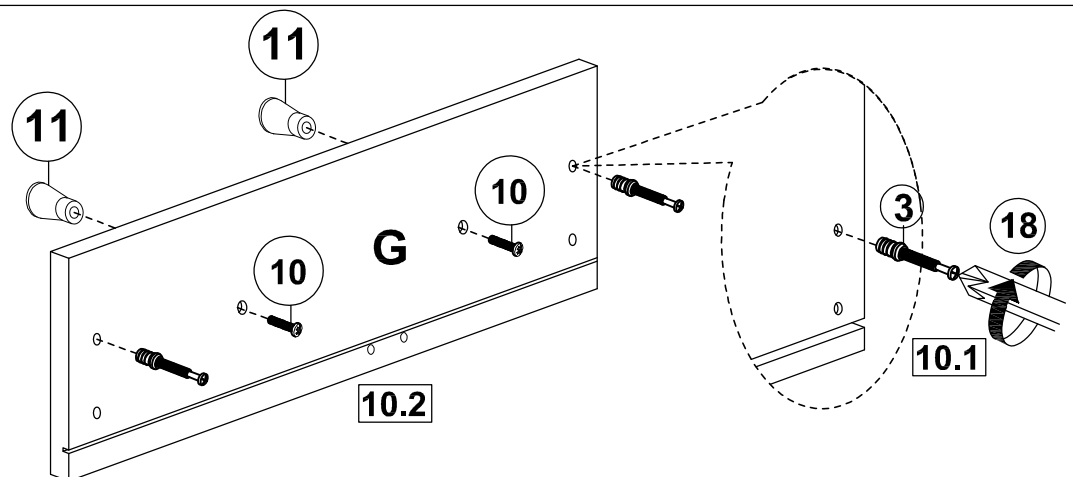


**9.1)** Attach Top Panel (C) to Right Side Panel (A), Left Side Panel (B) & Back Panel (F) via the wood dowels and the Cam-bolts.

**9.2)** Insert Large Cam-locks (2) into the mounting positions on Right Side Panel (A) & Left Side Panel (B) and turn clockwise to lock onto the cam-bolts using a Screw Driver (18).

**CAUTION:** Insert the Cam-locks (2) per the correct orientation as indicated in the above picture.

## Step 10



**10.1)** Use a Screw Driver (18) to screw in Cam Bolts (3) into the mounting positions on the inside face of Drawer Front - Small (G) as shown.

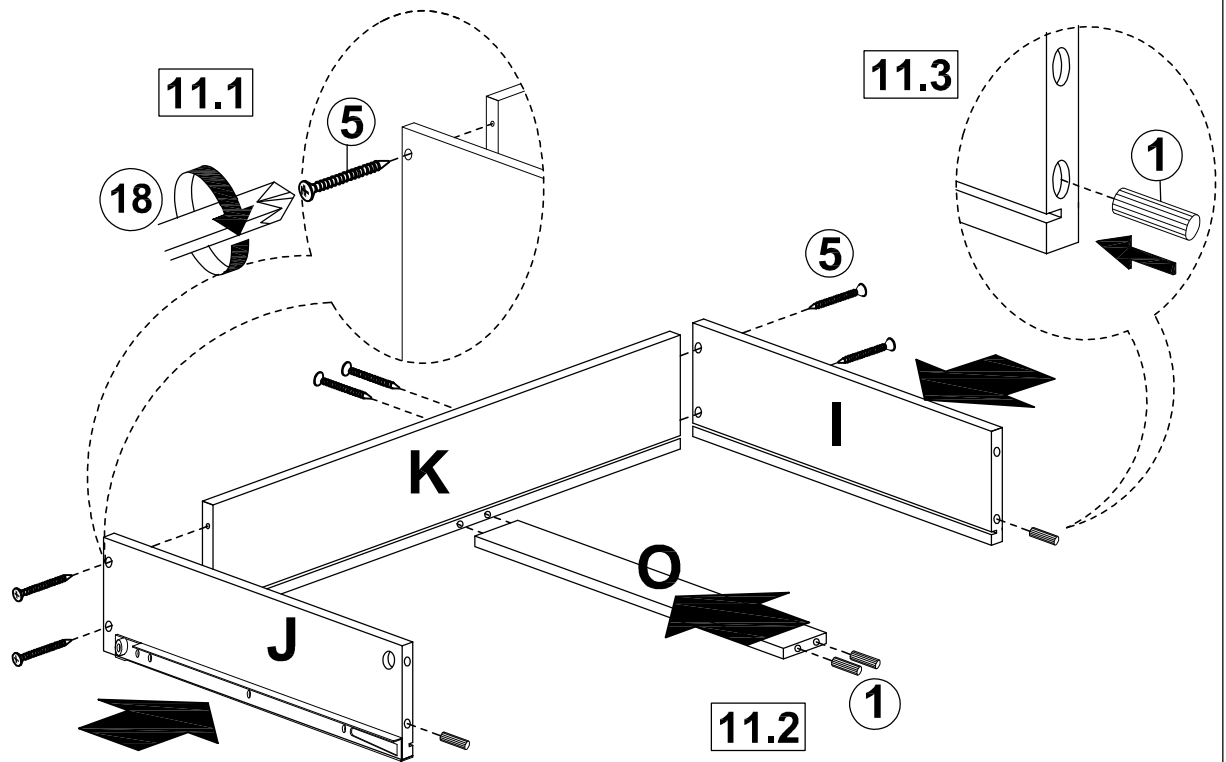
Note : It is easier to screw in Cam Bolts with the Drawer Front - Small laid flat down - take care not to scratch or damage the front face of the Drawer Front - Small panel.

**10.2)** Position Drawer Front - Small (G) vertically as shown. Align the mounting positions on Knobs (11) to the bolt holes on Drawer Front - Small (G).

Insert Pan Head Bolts (10) through the bolt holes on Drawer Front -Small (G) to thread into the bolt holes on Knobs (11).

Use a screw driver to drive in the Pan Head Bolts - do not tighten the bolts fully until both bolts are in place.

## Step 11



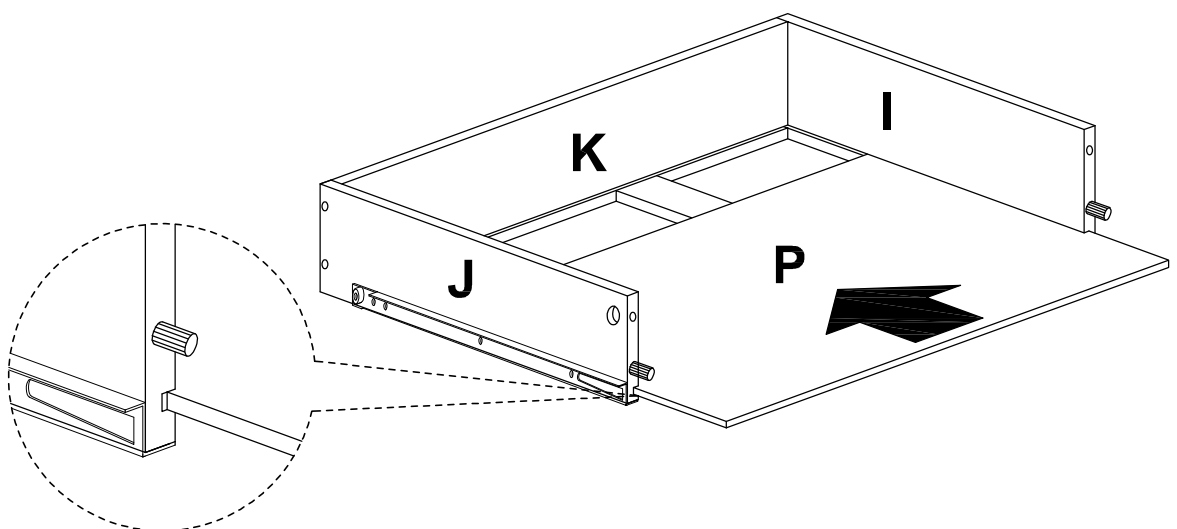
**11.1)** Attach Drawer Right Panel - Small (I) and Drawer Left Panel - Small (J) to Drawer Back Panel - Small (K) as shown-note the grooves on each panel is at the bottom. Use Flat Head Screws (5) to fasten side panels to back panel.

Do not tighten screws completely until all screws are in place in each panel.

**11.2)** Align the mounting positions on Drawer Bottom Support (O) to the mounting positions on Drawer Back Panel - Small (K) and use Flat Head Screws (5) to fasten Drawer Bottom Support (O) to Drawer Back Panel - Small (K).

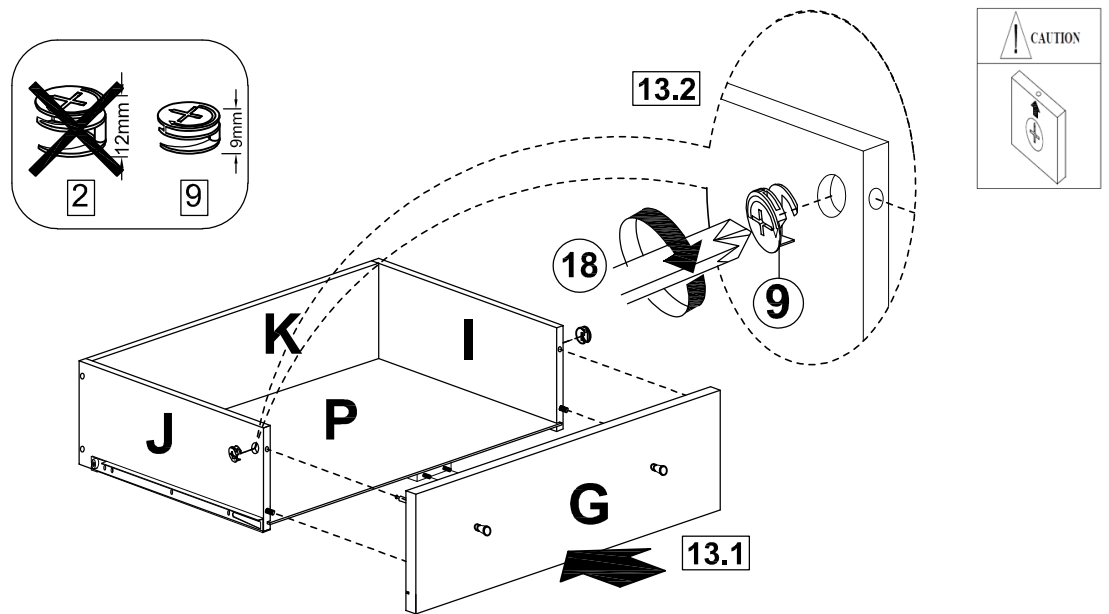
**11.3)** Insert Wood Dowels (1) into the mounting positions on the front edges of Drawer Right Small (I),Drawer Left Panel - Small (J) and Drawer Bottom Support (O).

## Step 12



Slide the Drawer Base (P) into the grooves on Drawer Right Panel - Small (I), Drawer Left Panel - Small (J) and Drawer Back Panel - Small (K).

## Step 13

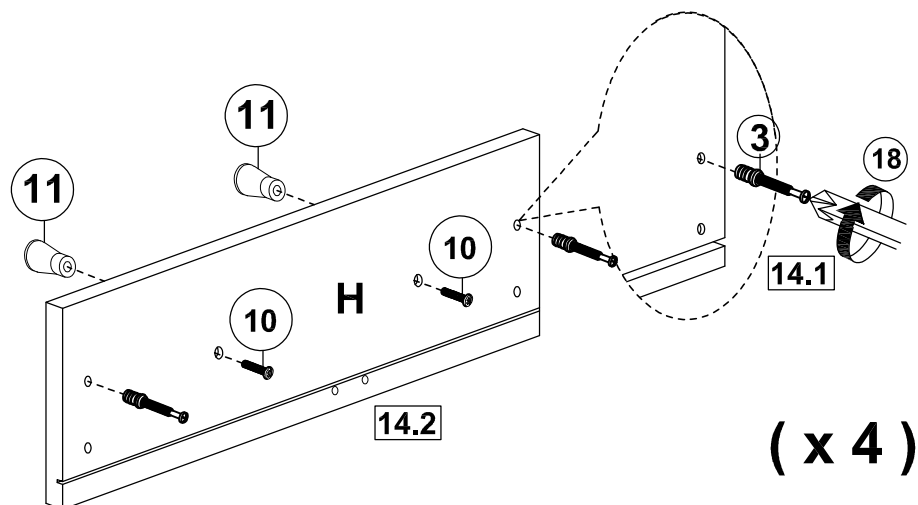


**13.1)** Attach Drawer Front - Small (G) to Drawer Right Panel - Small (I) and Drawer Left Panel - Small (J) via the cam-bolts and the wood dowels on the respective parts. Check that the front edge of Drawer Bottom Support (O) fits into the groove on Drawer Front - Small (G).

**13.2)** Insert Small Cam-locks (9) into the mounting positions on Drawer Right Panel - Small (I) and Drawer Left Panel - Small (J) and turn clockwise to lock onto the cam-bolts.

**CAUTION:** Insert the Cam-locks (9) per the correct orientation as indicated in the above picture.

## Step 14



**14.1)** Use a Screw Driver (18) to screw in Cam Bolts (3) into the mounting positions on the inside face of Drawer Front - Large (H) as shown.

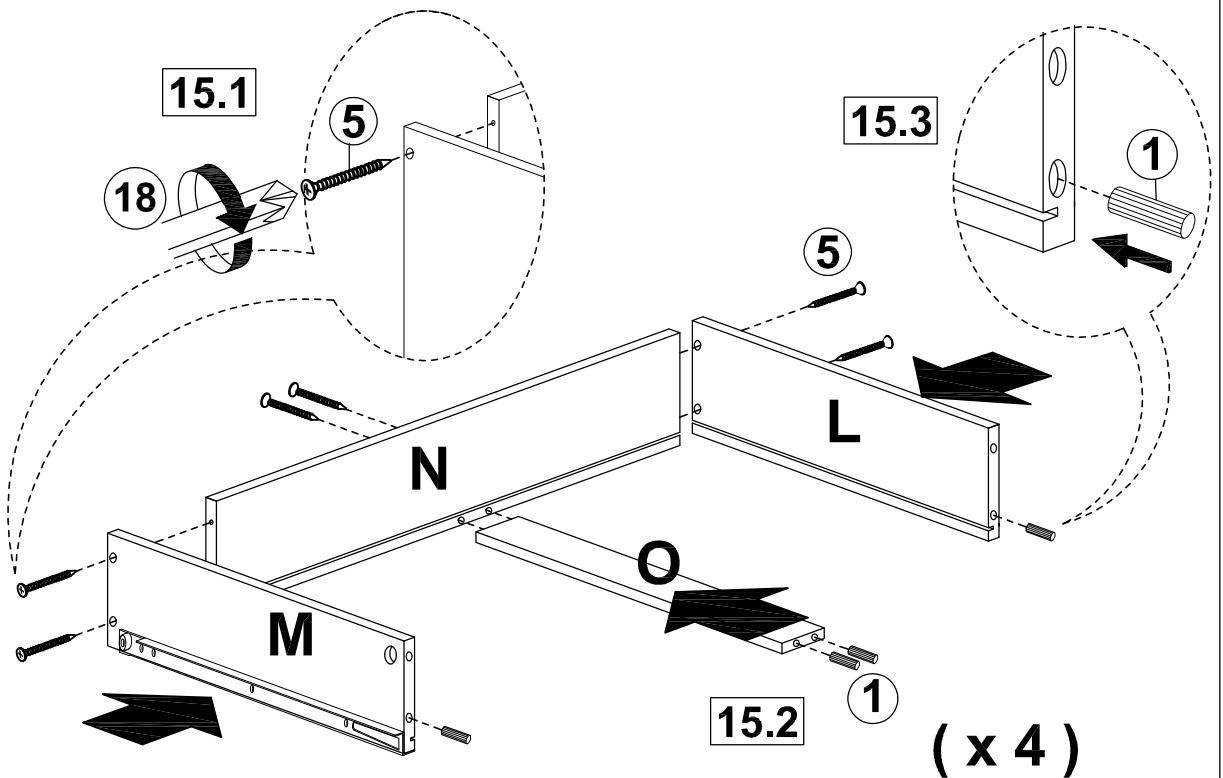
Note : It is easier to screw in Cam Bolts with the Drawer Front - Large laid flat down - take care not to scratch or damage the front face of the Drawer Front - Large panel.

**14.2)** Position Drawer Front - Large (H) vertically as shown. Align the mounting positions on Knobs (11) to the bolt holes on Drawer Front - Large (H).

Insert Pan Head Bolts (10) through the bolt holes on Drawer Front - Large (H) to thread into the bolt holes on the Knobs (11).

Use a Screw Driver to drive in the Pan Head Bolts - do not tighten the bolts fully until both bolts are in place.

## Step 15



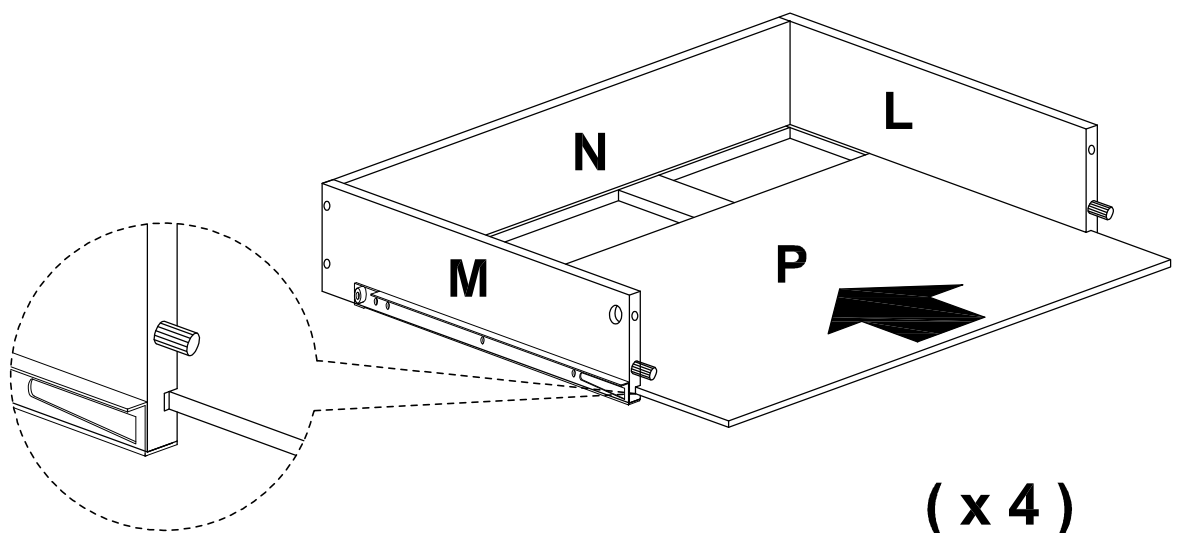
**15.1)** Attach Drawer Right Panel - Large (L) and Drawer Left Panel - Large (M) to Drawer Back Panel - Large (N) as shown-note the grooves on each panel is at the bottom. Use Flat Head Screws (5) to fasten side panels to back panel.

Do not tighten screws completely until all screws are in place in each panel.

**15.2)** Align the mounting positions on Drawer Bottom Support (O) to the mounting positions on Drawer Back Panel - Large (N) and use Flat Head Screws (5) to fasten Drawer Bottom Support (O) to Drawer Back Panel - Large (N).

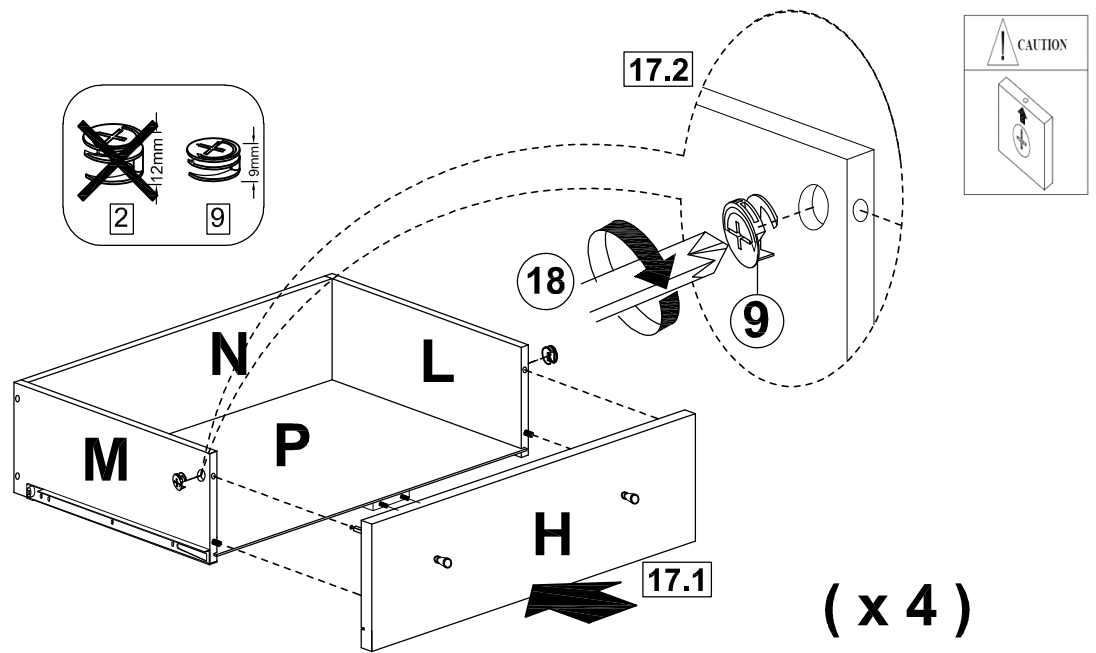
**15.3)** Insert Wood Dowels (1) into the mounting positions on the front edges of Drawer Right Panel - Large (L), Drawer Left Panel - Large (M) and Drawer Bottom Support (O).

## Step 16



Slide the Drawer Base (P) into the grooves on Drawer Right Panel - Large (L), Drawer Left Panel - Large (M) and Drawer Back Panel - Large (N).

## Step 17

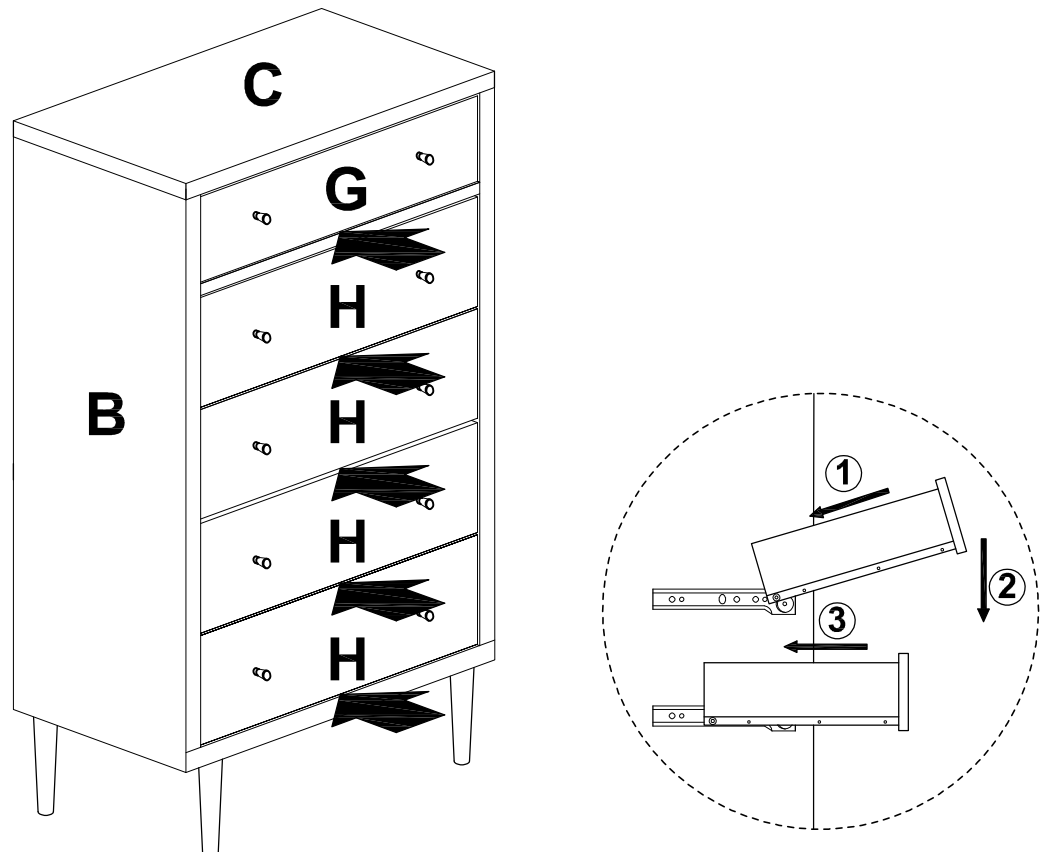


**17.1)** Attach Drawer Front - Large (H) to Drawer Right Panel - Large (L) and Drawer Left Panel - Large (M) via the cam-bolts and the wood dowels on the respective parts. Check that the front edge of Drawer Bottom Support (O) fits into the groove on Drawer Front - Large (H).

**17.2)** Insert Small Cam-locks (9) into the mounting positions on Drawer Right Panel - Large (L) and Drawer Left Panel - Large (M) and turn clockwise to lock onto the cam-bolts.

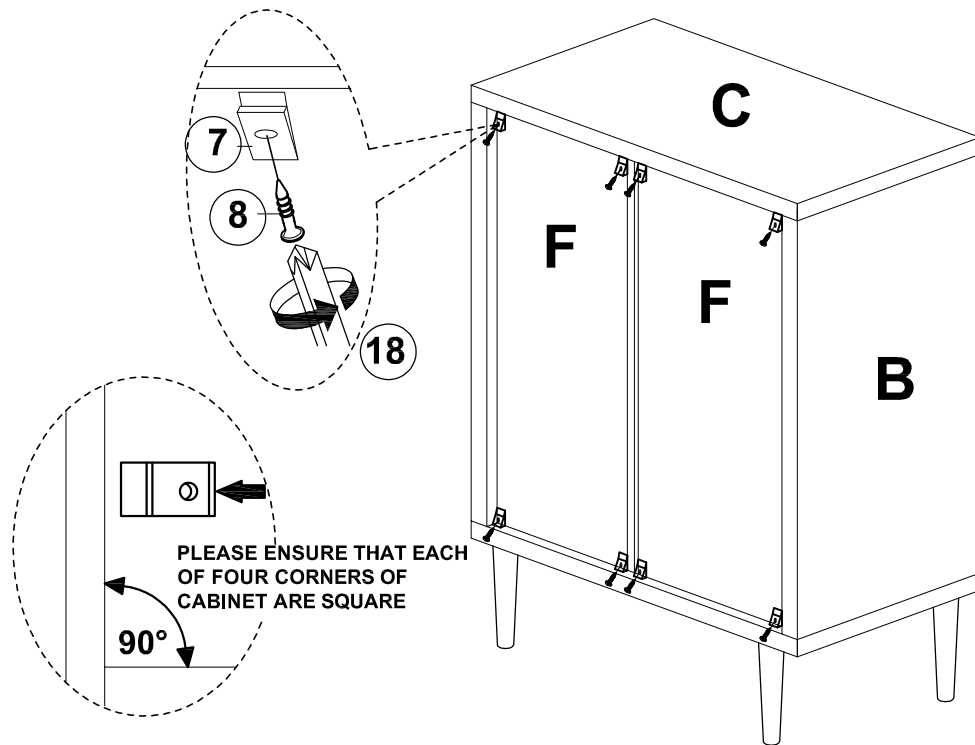
**CAUTION:** Insert the Cam-locks (9) per the correct orientation as indicated in the above picture.

## Step 18



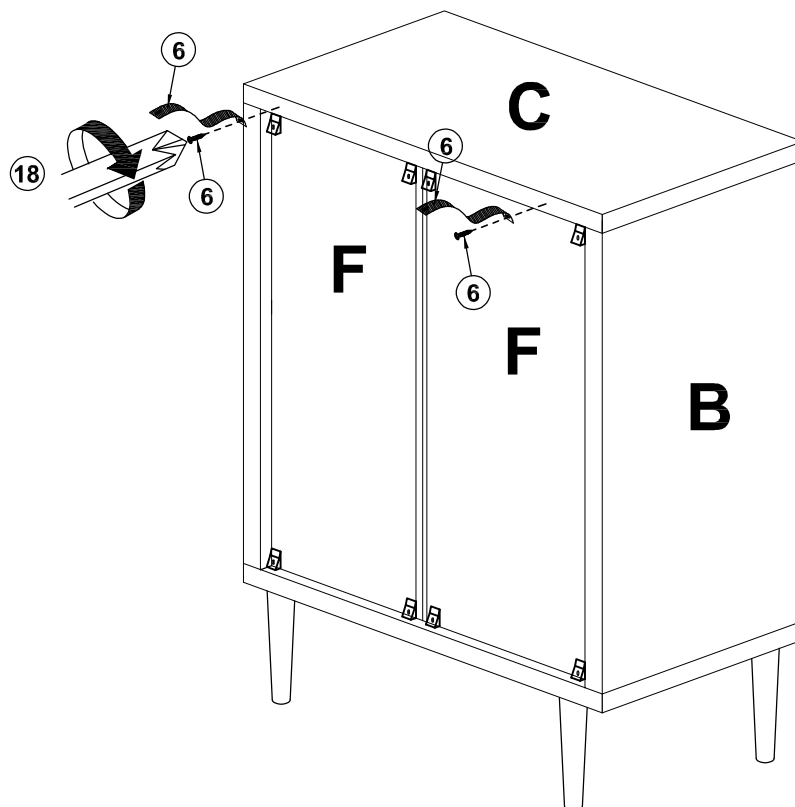
Place the Drawers into the Chest assembly by aligning the rails.

## Step 19



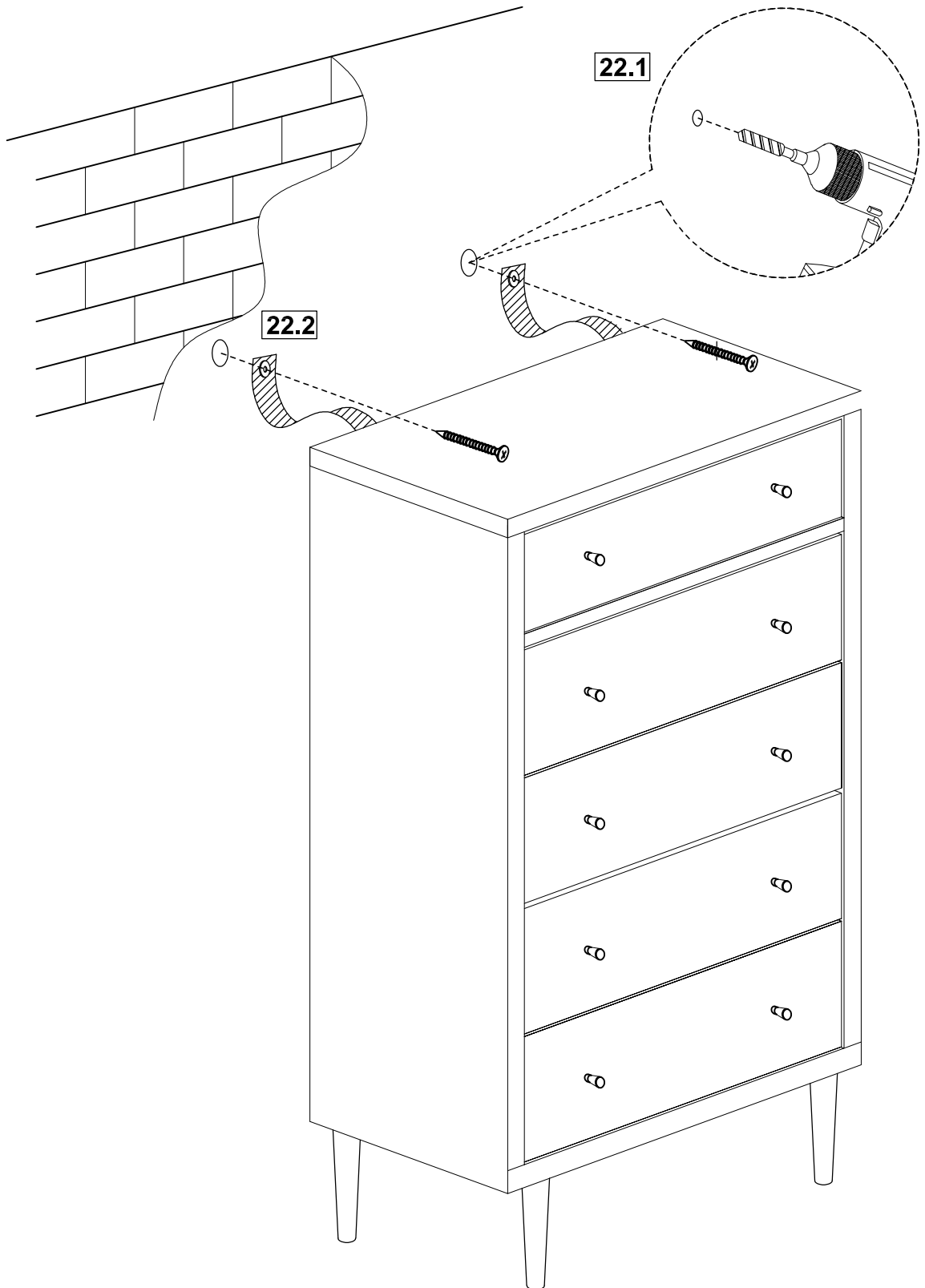
Use Screw Driver (18) to affix Backply Stoppers (7) and Flat Head Screws (8) into the locations on Back Panel (F) as shown.

## Step 20



Insert screws through Straps (6) at marked sticker areas on the back side edges of Top Panel (C) and drive in the screws using a Screw Driver (18).

## Step 21



**22.1)** Drill holes in the wall and insert wall anchors / Rawl plugs.

**22.2)** Insert screws through the Straps and drive the screws into the wall anchors / Rawl Plugs.

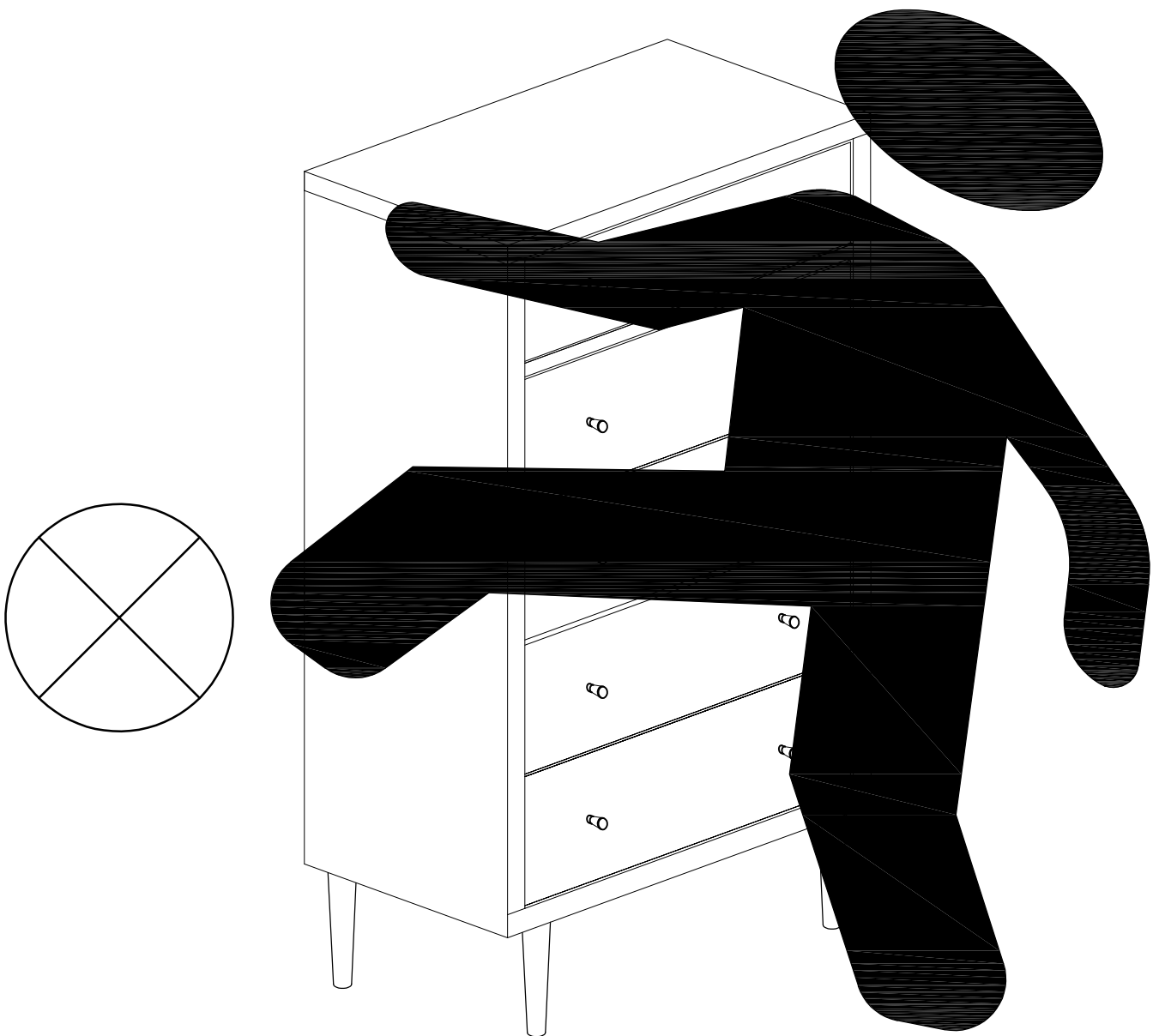
**NOTE :** Wall fixings are not supplied with this product as different wall materials require different types of fixing devices (such as Rawl plugs on brick work). You must use fixing devices suitable for the type of wall you intend to mount this product to. Please ensure that the head of any screw used has a diameter greater than the diameter of the mounting hole on the Anti-Tip Strap and that the fixing is safe and secure before use.

The screws supplied are to affix the Anti-Tip Straps to the chest.

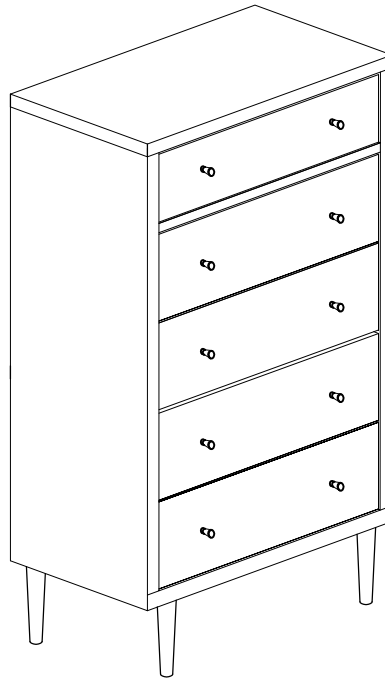


## WARNING

Serious or fatal crushing injuries can occur from tipping furniture.  
To help prevent tip-over: **ALWAYS** secure this furniture to the wall using  
Cabinet Restraint Device.  
See product instructions for more ways to help prevent furniture tip-over.



## Step 22



Your Chest is ready for use.

## Care & Maintenance



- Furniture may scratch floors. We recommend using furniture pads to protect your floors.



- Do not put hot items directly on furniture surface.



- Do not clean furniture with harsh cleansers or polish.



- Do not place furniture under direct sunlight.



- Do not place furniture near heating or cooling vents.



- Do not write on furniture without a padded barrier to protect the surface.



- Do not place furniture outside . For indoor use only.



- Not for commercial use. For residential use only.



- Stains may be removed with mild soap solution and damp cloth.



- Children should not climb or jump on the furniture.



- Dust and pick-up spills using a clean, non-colored, lint-free cloth.

## **Questions & Answers about Proposition 65**

### **• What is Proposition 65?**

**Proposition 65 requires businesses to provide warnings to Californians about significant exposures to chemicals that cause cancer, birth defects or other reproductive harm. These chemicals can be in the products that Californians purchase, in their homes or workplaces, or that are released into the environment. By requiring that this information be provided, Proposition 65 enables Californians to make informed decisions about their exposures to these chemicals. Proposition 65 also prohibits California businesses from knowingly discharging significant amounts of listed chemicals into sources of drinking water.**

**Proposition 65 requires California to publish a list of chemicals known to cause cancer, birth defects or other reproductive harm. This list, which must be updated at least once a year, has grown to include approximately 900 chemicals since it was first published in 1987.**

### **• What types of chemicals are on the Proposition 65 list?**

**The list contains a wide range of naturally occurring and synthetic chemicals that include additives or ingredients in pesticides, common household products, food, drugs, dyes, or solvents. Listed chemicals may also be used in manufacturing and construction, or they may be byproducts of chemical processes, such as motor vehicle exhaust.**