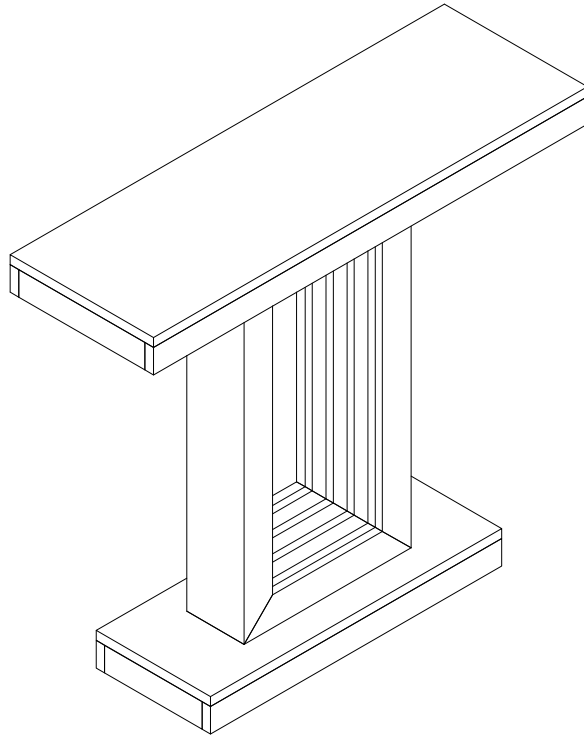
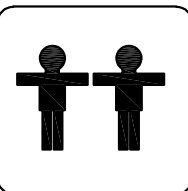


# ASSEMBLY INSTRUCTION


## Console Table 910mm



**. Use of power tool to assemble this product will invalidate any claim and damage this product making it unsafe !!!**  
**. Please assemble on a clean soft surface to avoid damage.**

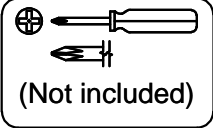
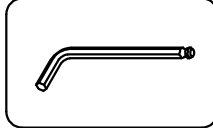


+



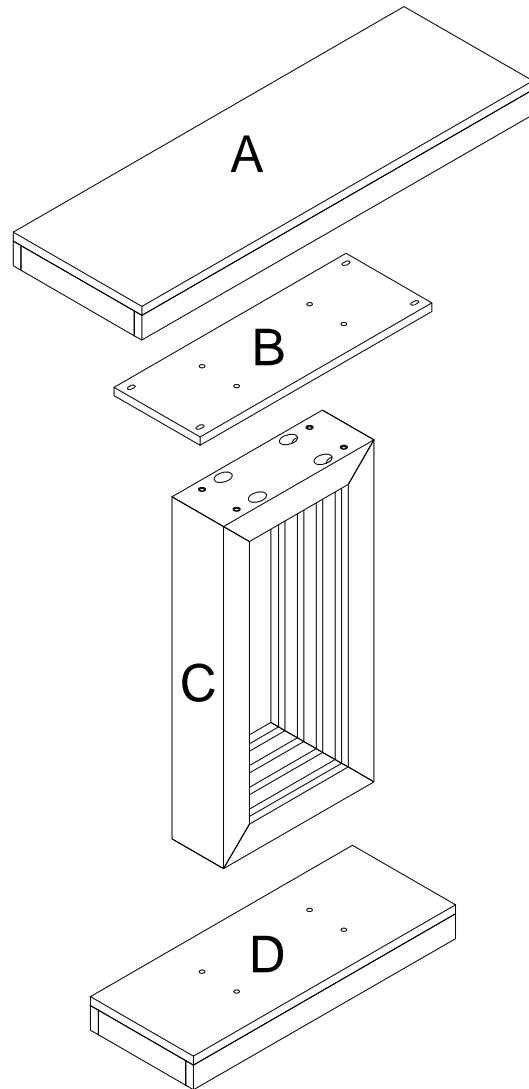
**20 minutes**

**Tools Required**

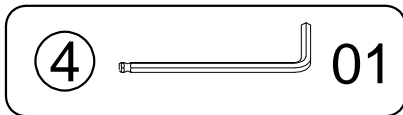
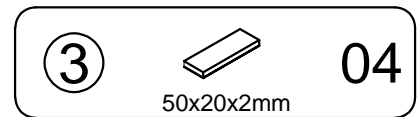
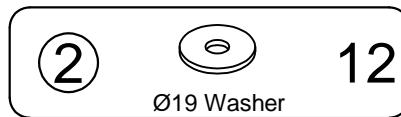
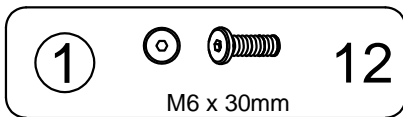


**(Not included)**


# Part list - Console Table 910mm





Identifying the hardware-Identify the hardware using the illustrations below



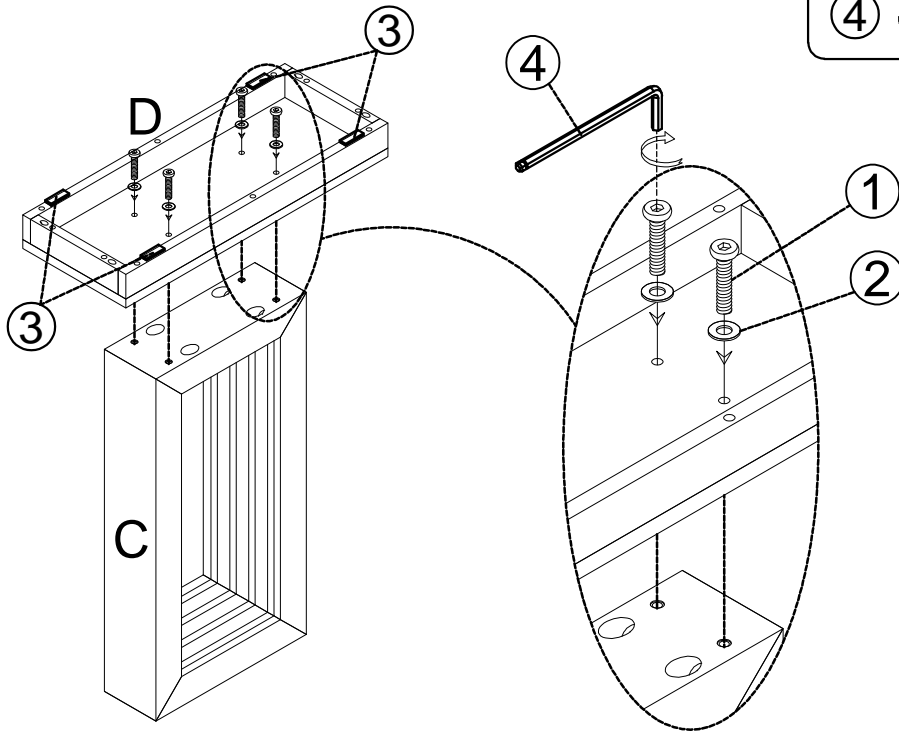
STEP 1

①  04  
M6 x 30mm


②  04  
Ø19 Washer

③  04  
50x20x2mm

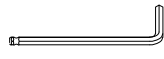
④  01

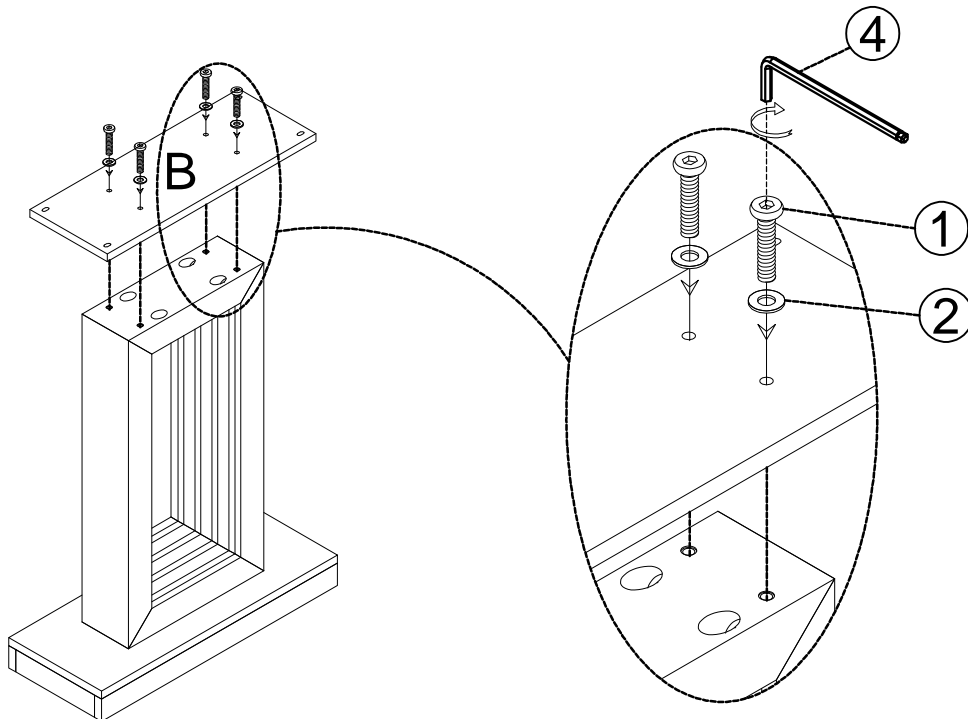


STEP 2


①  04  
M6 x 30mm

②  04  
Ø19 Washer

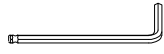
④  01



# STEP 3

①  04  
M6 x 30mm

②  04  
Ø19 Washer

④  01

