

**Casta Diva<sup>®</sup>**

## INSTALLATION MANUAL

Intelligent Toilet

A200T-S

**Thank you for placing your confidence in us.**

Thank you for buying our products. You can learn from this manual about the use of products and other important issues before initial start-up.

Please follow the instructions in this manual carefully.

Please keep the manual properly stored for future reference.

Regarding future product updates, the product is subject to change without prior notice.

Illustrations in this manual serve as visual demonstration.

We hope you can learn how to use the product through this manual.

In order to guarantee that the Product will always function optimally, and to ensure your personal safety, please do the following:

**Read these operating instructions carefully before initial start-up and follow these instructions!**

Get free lifetime technical support

# SAFETY

Installation qualification requirements: Installation must be carried out by qualified professionals who passed the professional training. Before installation, please read the following safety instructions carefully and the safety instructions recorded in the user's manual to install the product correctly.

Installation should be based on the steps documented in this manual. We will not take responsibility for the negative consequences caused by changing construction method without authorization.

## SYMBOLS DESCRIPTION

---

### Symbol Description



Danger! High risk, lethal hazards, severe injuries



Warning! Medium risk, severe injuries



Caution! Low risk, minor injuries



Tips

### Symbol Description



Inspection



Duration



No leakage



Please dispose of waste according to relevant regulations of the state

## DANGER!

---

To reduce the risk of electrocution or fire

- This device is an electric appliance of class I and must be connected to a grounding system with the relevant regulations of the state.
- The socket circuit connected to the product must have electrical leakage protector which rated current not exceeding 30mA.
- Socket should be water-proof or with water-proof accessories, ensure that and plugs are located at least 600mm(23.6in) horizontally from the shower room or bathtub.
- Please unplug unit immediately and contact your dealer or call Service Hotline for replacement if power supply cord becomes damaged. It must be replaced by the manufacturer, its service agent or similarqualified persons.
- Indoor wiring regulations should be followed during circuit construction.
- The device is an electrical apparatus and thus shall not be used in a wet or humid environment. If the device is used in a bathroom, an exhaust fan or air vent shall be installed to ensure sufficient airflow.

## WARNING!

---

To lower the risk of burns, electrocution, fire, or injury to persons

- Do not allow to use a loose socket.
- Do not allow to handle the power cable or plug with wet hands.

# SAFETY

## WARNING!

---

- Do not allow the power cable or plug to be pulled randomly.
- Do not allow to place open flames, candles, cigarettes, or similar objects on or by the toilet.
- Do not place heavy objects on the seat or cover .
- Do not step on product.

## CAUTION!

---

To lower the risk of malfunction or damage of product

- Do not allow to use industrial water, circulating water or waste water as the source of the product. Please use the water source that meets the standard of living and drinking.
- Please comply with all local regulations on water supply and drainage, otherwise it may lead to a safety hazard.
- The power voltage is 120V~60Hz. Use the specified power supply only.
- Please use the product under the conditions: water pressure range: 0.14-0.86MPa(20-125PSI); water volume $\geq$ 11.4L/min(3GPM).
- Water temperature range: 4-35°C(39-95°F) . Do not install the intelligent toilet in rooms where the temperature will be less than 4°C( 39°F ).
- Do not allow the inlet-hose and power cord to be severely pinched, bent, or kinked.
- Do not allow to hit heavily against the ceramics.
- Do not allow to place the product upside down.
- Do the waterproofing for the ground and wall before installation.
- Since ceramics can be easily damaged it should be handled with care during installation, also do not tighten the nuts excessively to avoid damage to the product. The bottom part of the toilet shall not be fixed and installed by using cement.
- Installation must use original fittings. Do not allow to reuse old hose-sets, otherwise they may damage the product.
- Remove the anti-static film only after the installation, this will prevent scratch on the product.
- After installation, firstly connect the water supply and then electric power supply.
- Please do not expose this product under sunshine, it could cause color fading or unstable temperature on the seat.
- During movement or installation process, please hold body of product, if hold cover or seat only, it may cause product separation or injury.
- When product moved from cold to hot place, there would be condensation phenomenon. Please place 12 hours before using.

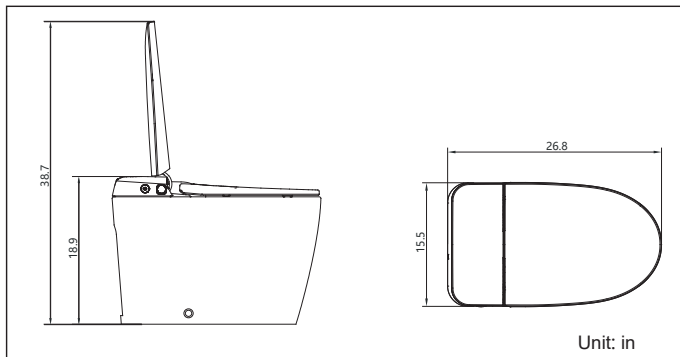
## KIND REMINDER!

---

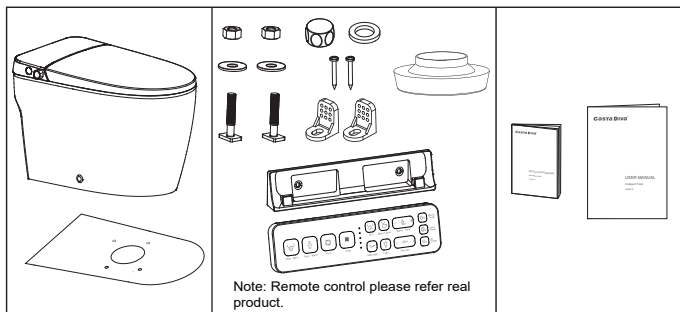
- This product will do 100% water test before leaving factory to ensure product quality, so when product arrive customer side for installation, a little water left inside dripping out is a normal phenomenon.

# CONFIRMATION BEFORE INSTALLATION

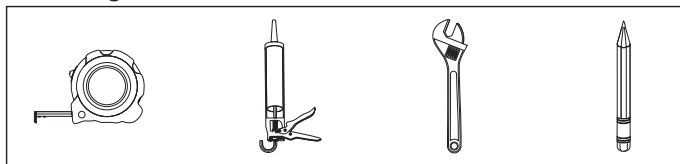
## Size drawing



## Bill of materia



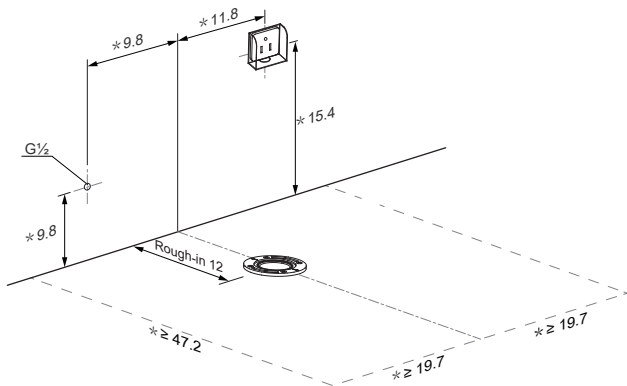
## Tooling needed



# INSTALLATION

## Install preparations

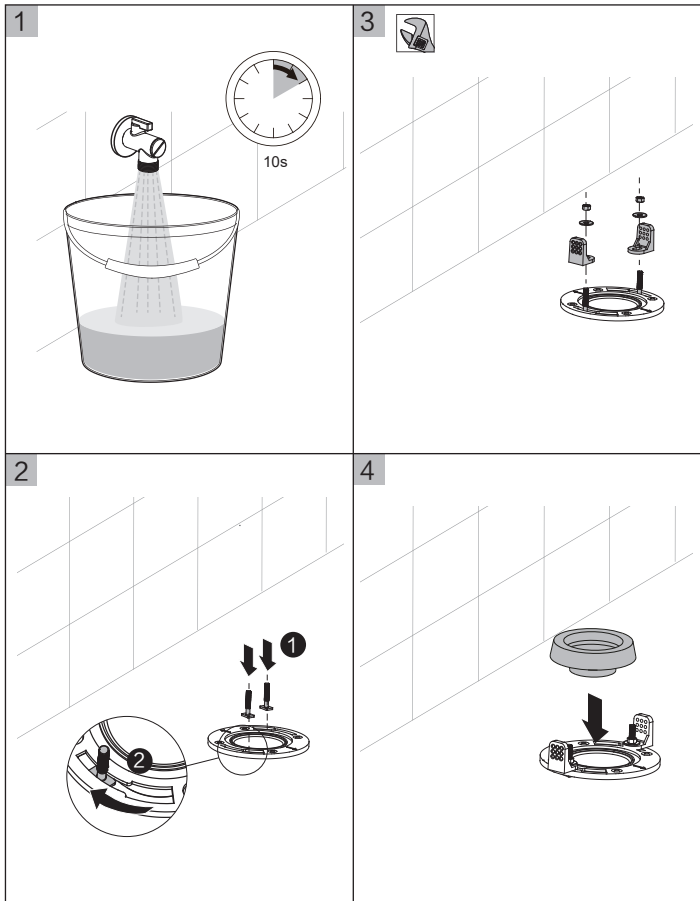
1. Ensure that the floor tiles and wall bricks have been laid, pipes in the pit and water supply pipes have been reserved before installation.
2. Please refer to the size indicated in the figure below and reserve the installation position, to avoid affecting the normal use of the inlet pipe and power supply line. (\*represents the recommended sizes)
3. Please confirm the socket position according to the length of power line as indicated in the user manual, power socket position shall close to the installation place of product.
4. Check the distance from its center to the wall (distance between the pit center and the wall) matches with the product.
5. Before installation, be sure to open the water inlet switch so as to clean the impurities and sludge in the embedded water pipe, so as not to cause blockage and affect the product function.



Unit: in

# INSTALLATION

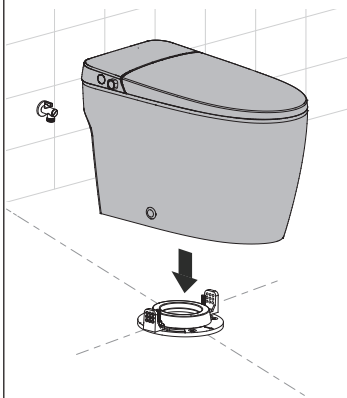
## Intelligent toilet installation



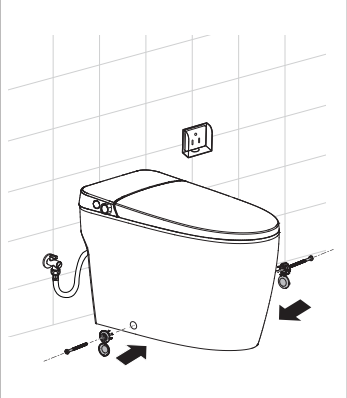
# INSTALLATION

## Intelligent toilet installation

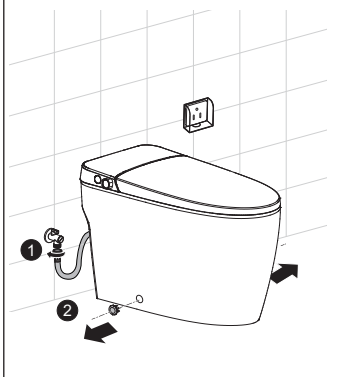
5



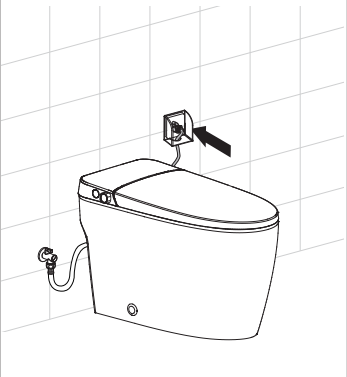
7



6

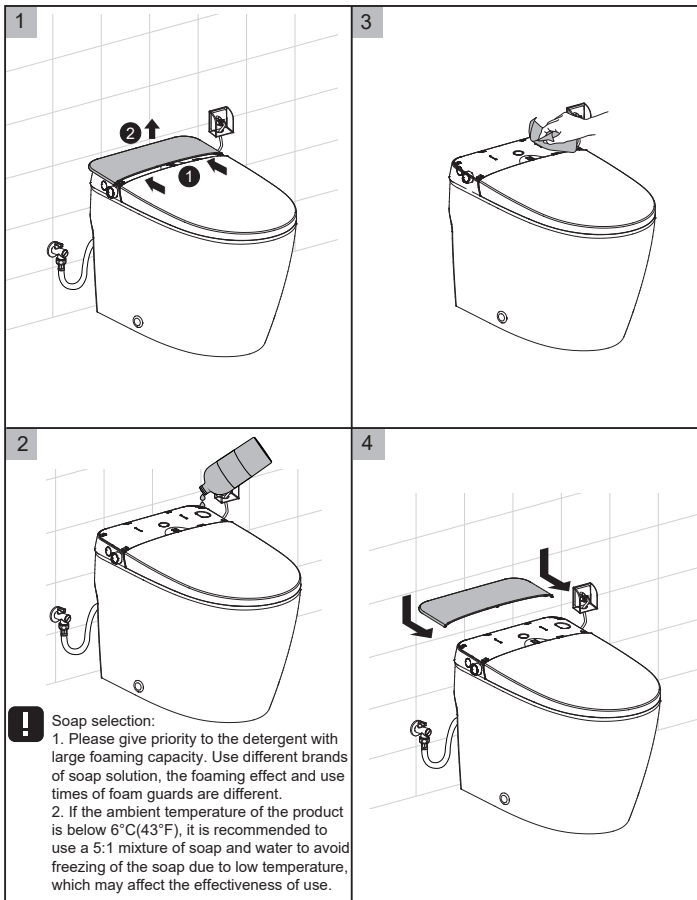


8



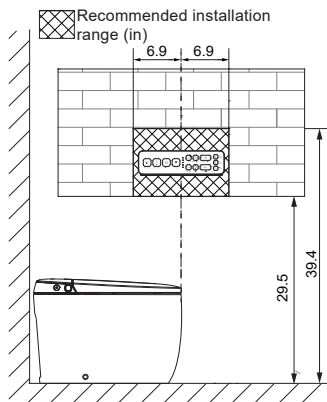
# INSTALLATION

## ■ Soap solution replenish

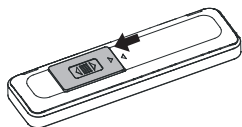


# INSTALLATION

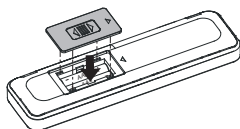
## Remote control installation



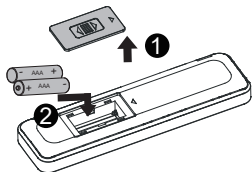
1



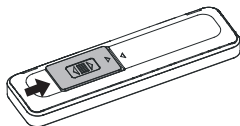
3



2

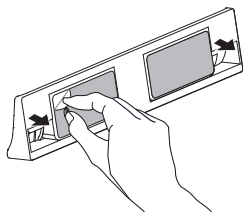


4

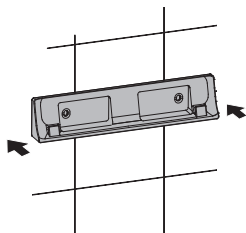


# INSTALLATION

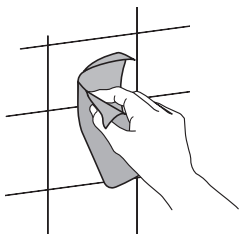
1



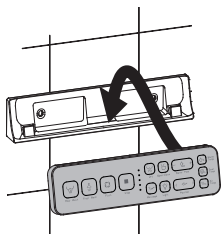
3



2



4



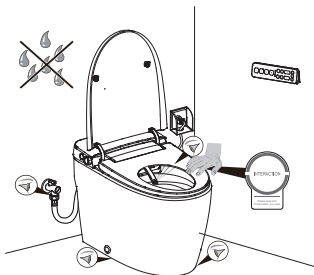
Note: clean the glued surface before sticking on.

1



**ON**

3



**!** Please cover the spray nozzle during test to avoid water spraying to human body directly.

2



**ON**

4

