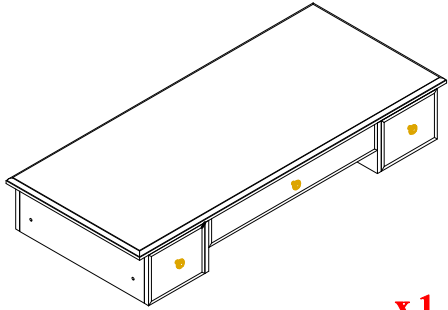


TAS71016

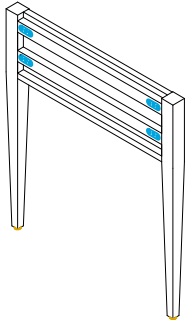
ASSEMBLY INSTRUCTION

P1 Cabinet



x 1

P2 Base



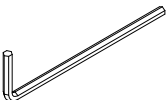
x 2

1 Steel allen bolt, lock, flat washer

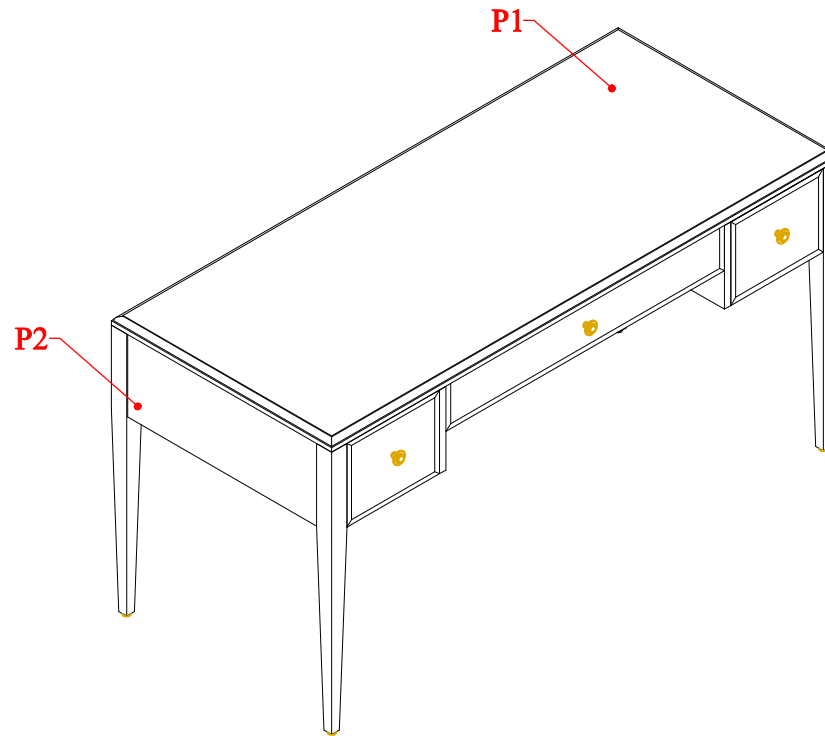


x 8

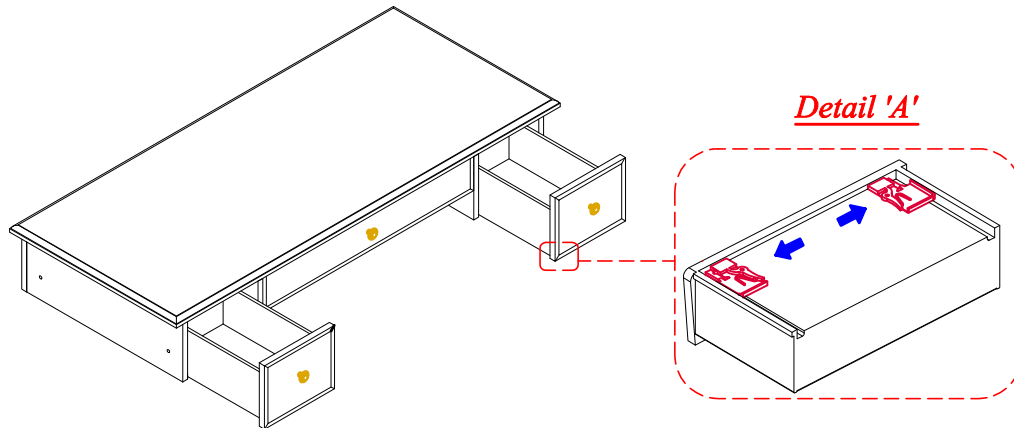
2 Steel allen wrench



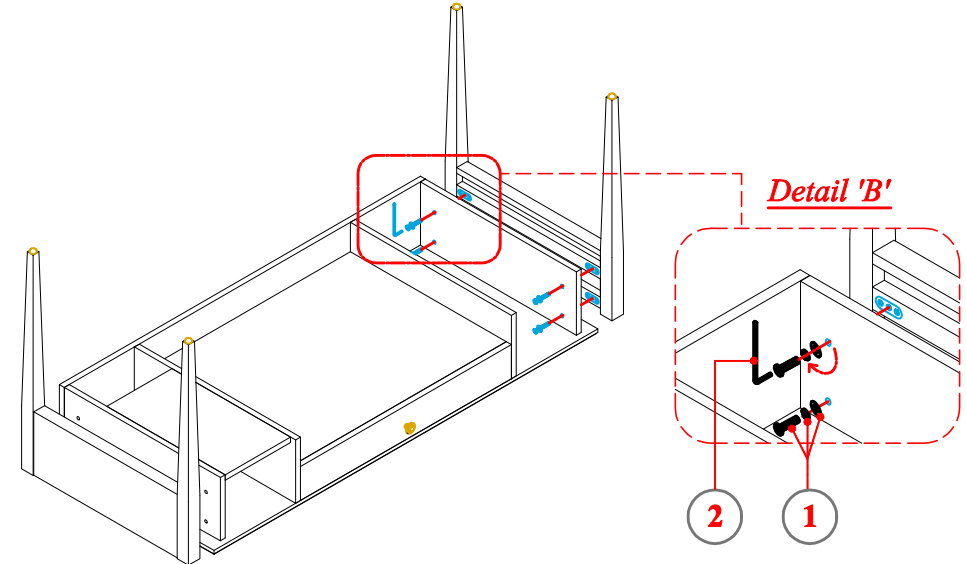
x 1



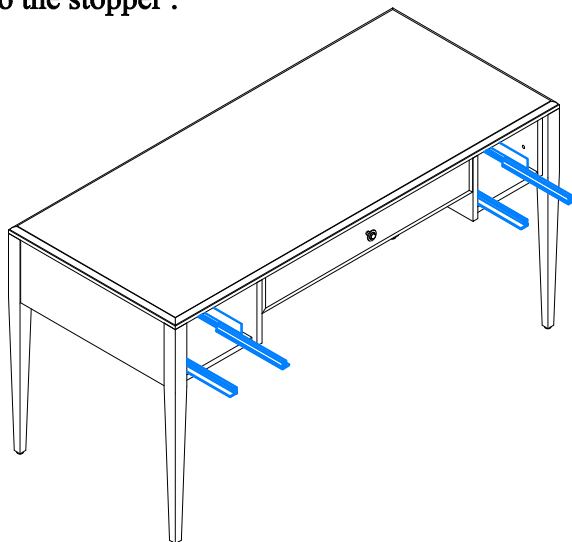
1. Place the cabinet (P1) on soft surface or carton sheet free . Press drawer front to open the drawer .Remove the 2 drawers at the bottom by press the lock underneath the drawers to remove the drawers from the gliders (detail 'A')



2. Turn the cabinet (P1) up side down. Assemble the base (P2) to the cabinet (P1). Then insert steel allen bolt , washer & lock , use steel allen open wrench to turn clockwise direction securely. Refer detail 'B'.



3. Turn the cabinet up right side
4. Pull the gliders to the stopper .



5. Put the drawers onto the gliders.
Slowly close the drawers to the stopper.
6. Item is ready to use
Adjust glider for the leg levelling if necessary refer detail 'C'

