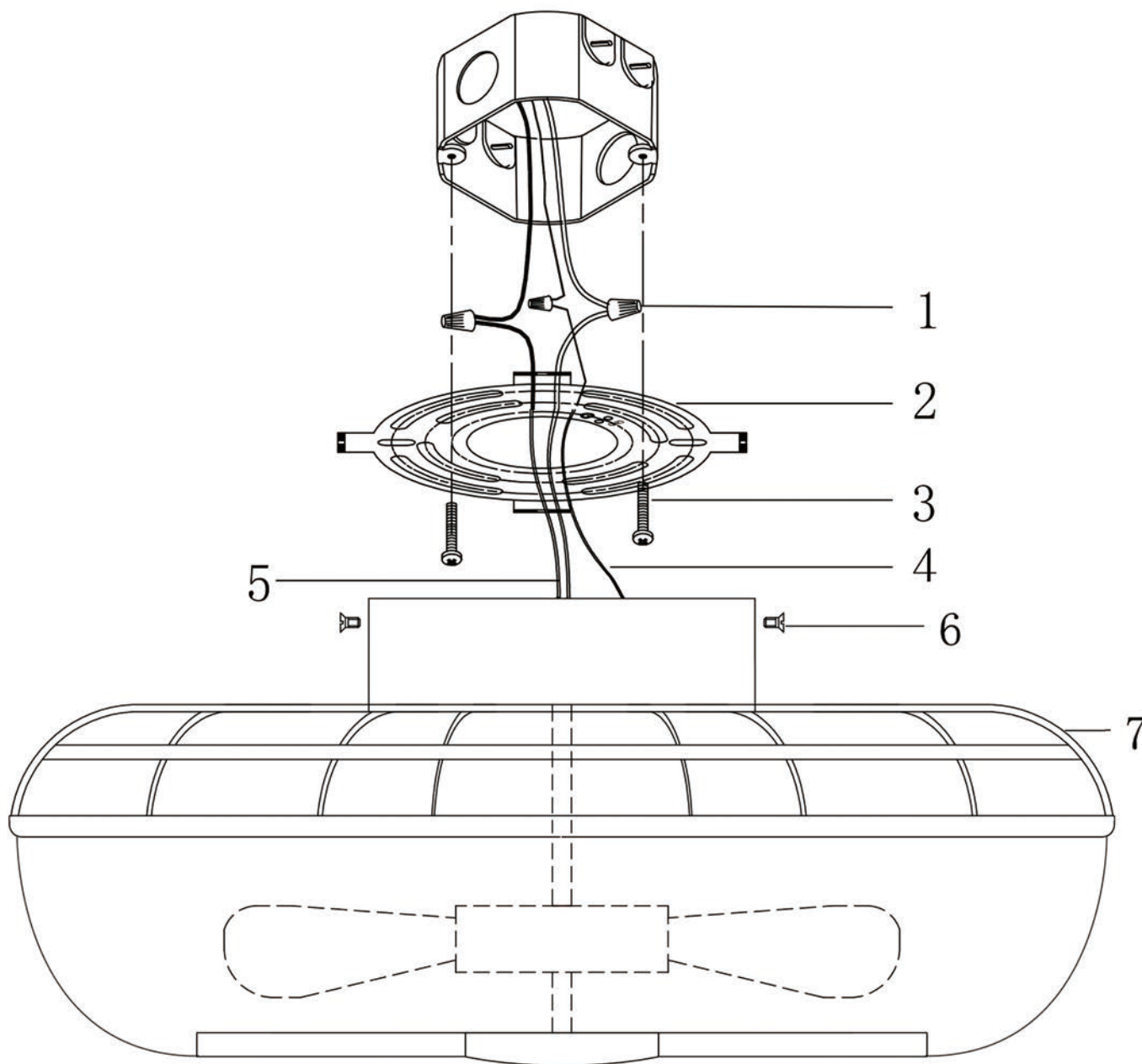


INSTALLATION INSTRUCTION FOR ITEM FSD-001

Please turn off power and read this instruction before installation.
The installation must be handled by a qualified electrician with license.
Please also turn off power before changing the bulb and cleaning the fixture.



- A. Fix the hanging plate(2) on the junction box with screws(3).
- B. Connect the power cord(5) and ground wire(4) of the lamp body to the external power cord with a terminal cap(1).
- C. Fix the lamp body(7) on the hanging plate(2) with screws(6).