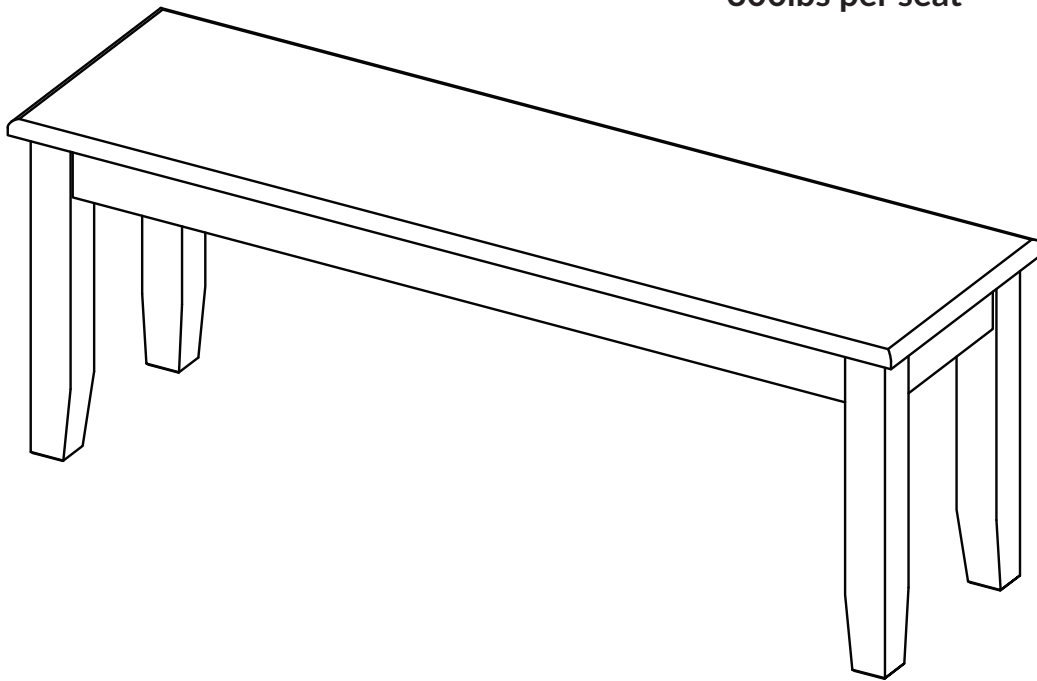


ASSEMBLY INSTRUCTIONS

BLOOMINGTON BENCH

Note: Maximum Capacity- 2 person,
300lbs per seat



Have questions about
assembling your item?



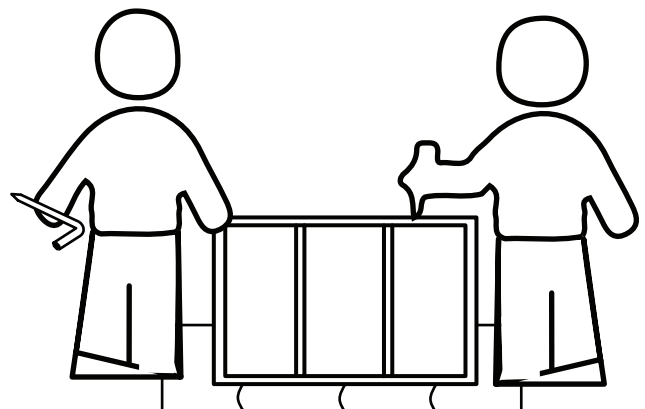
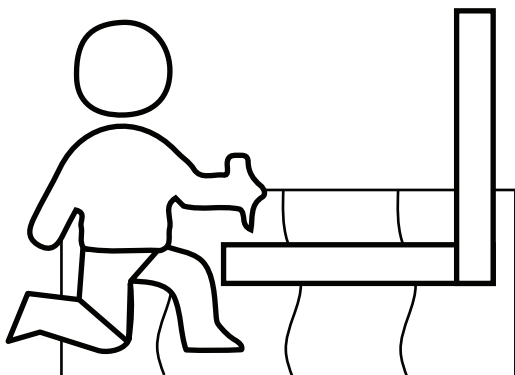
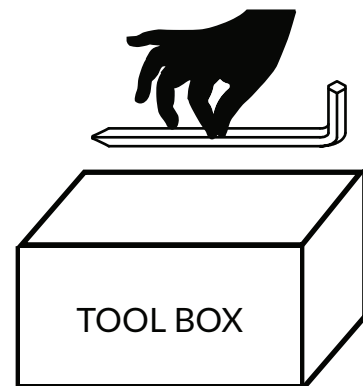
Items or parts damaged?



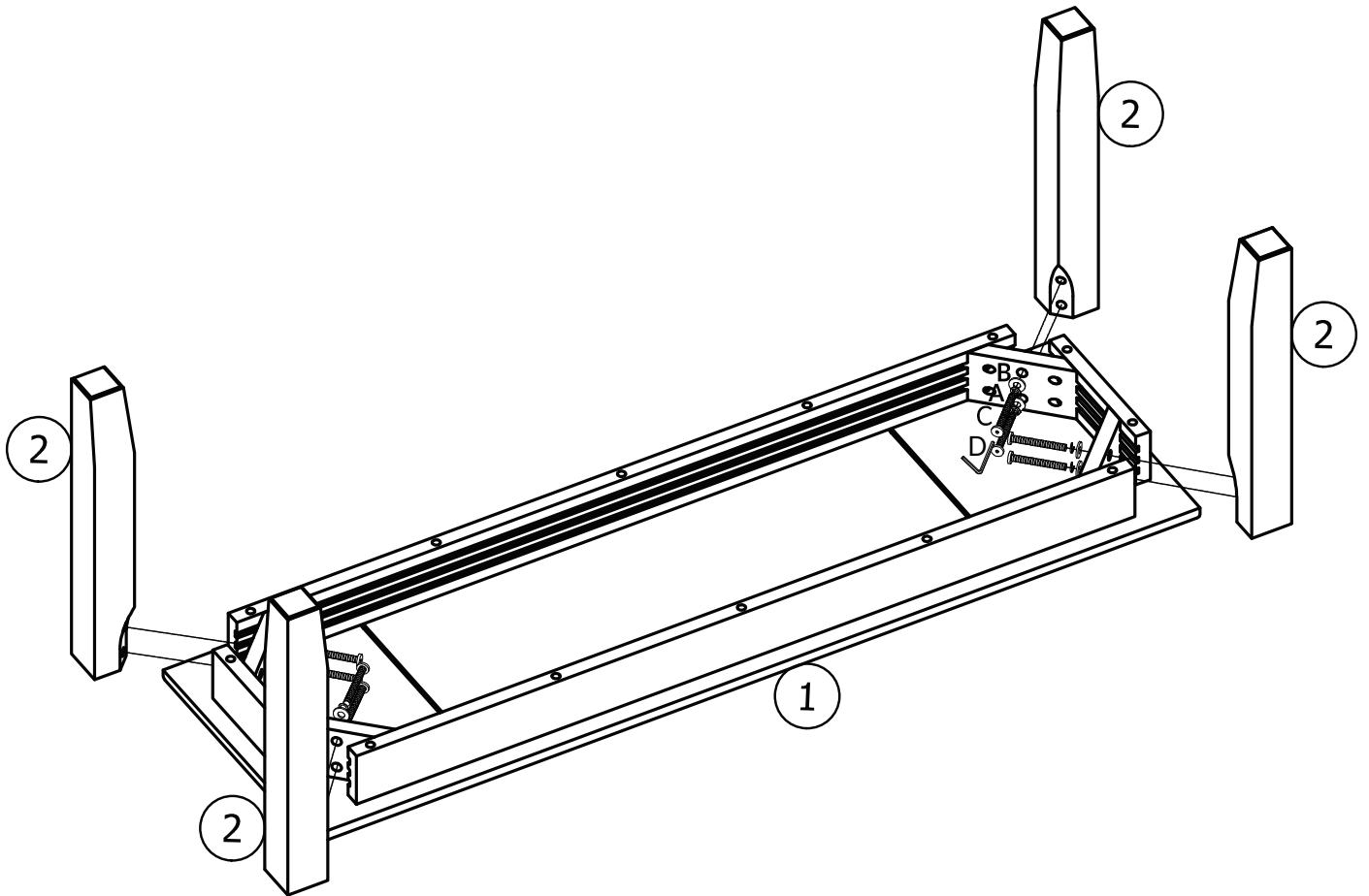
Missing a part?

Assembly And Care

- All tools required for assembly are included unless noted.
- Prior to assembly, check for missing or damaged parts.
- Do not dispose of packaging materials until assembly is completed.
- Assemble item on a soft, clean surface to prevent damage to the item.



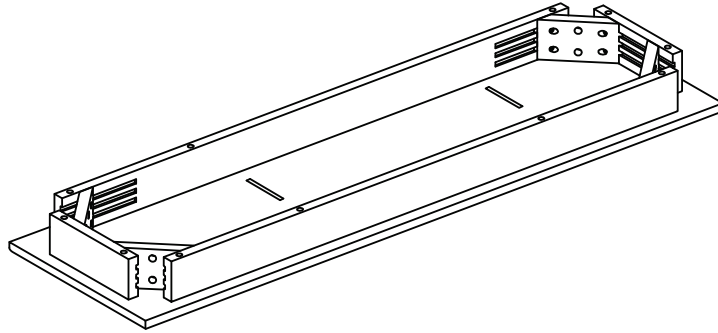
Assembly Overview



PARTS

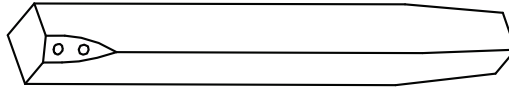
① (x1)

Seat:



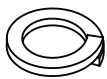
② (x4)

Leg:



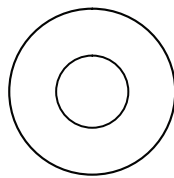
HARDWARE

Ⓐ (x8)



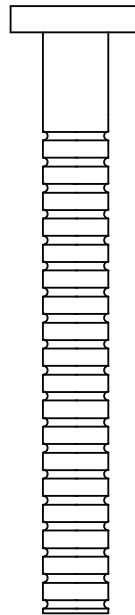
Spring Washer

Ⓑ (x8)



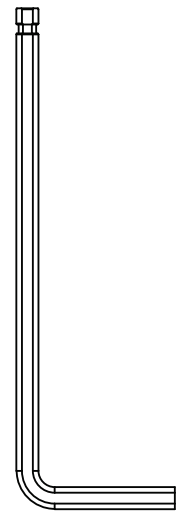
Flat Washer

Ⓒ (x8)



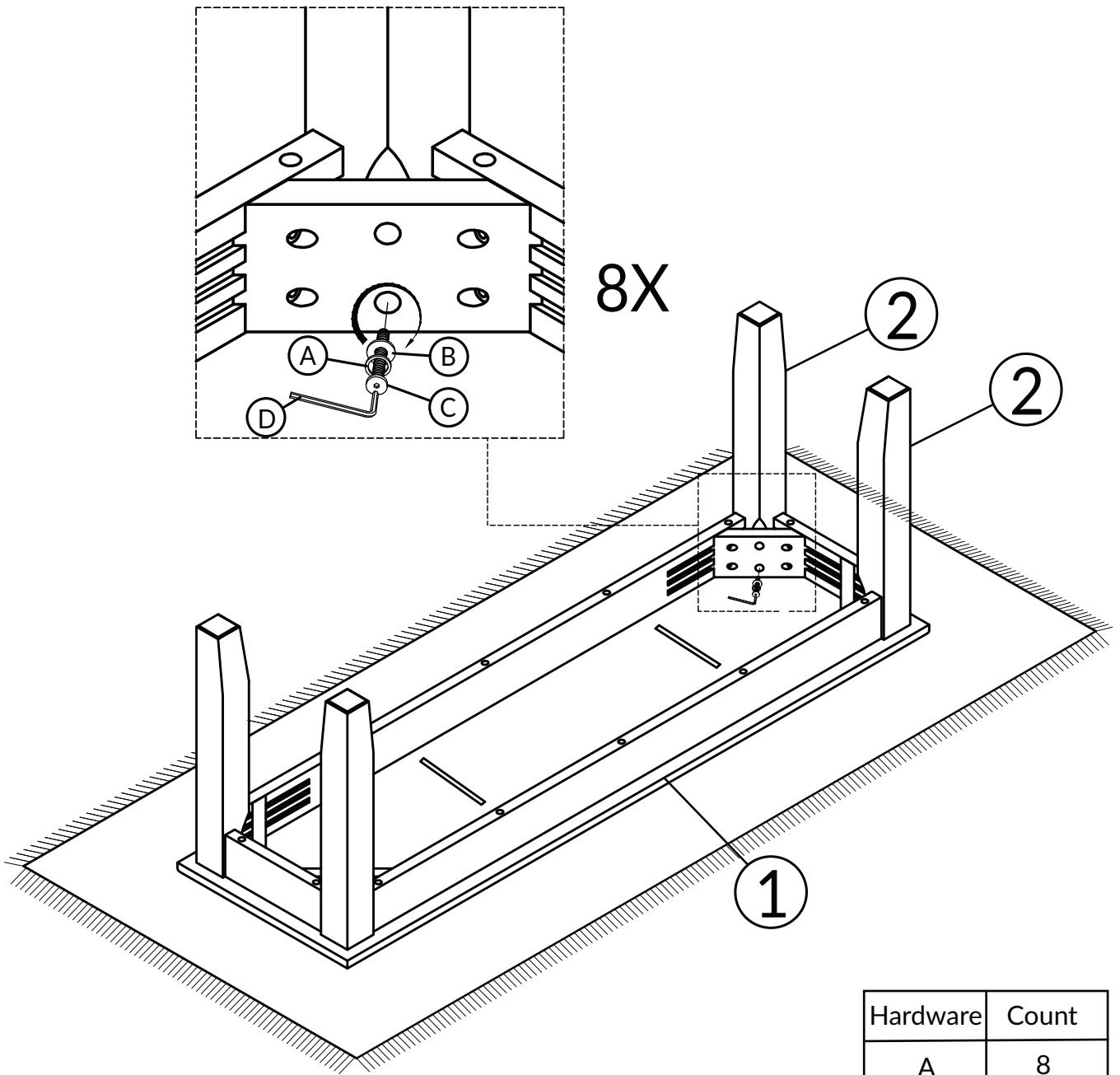
Bolt
M8x70

Ⓓ (x1)



Allen
Wrench

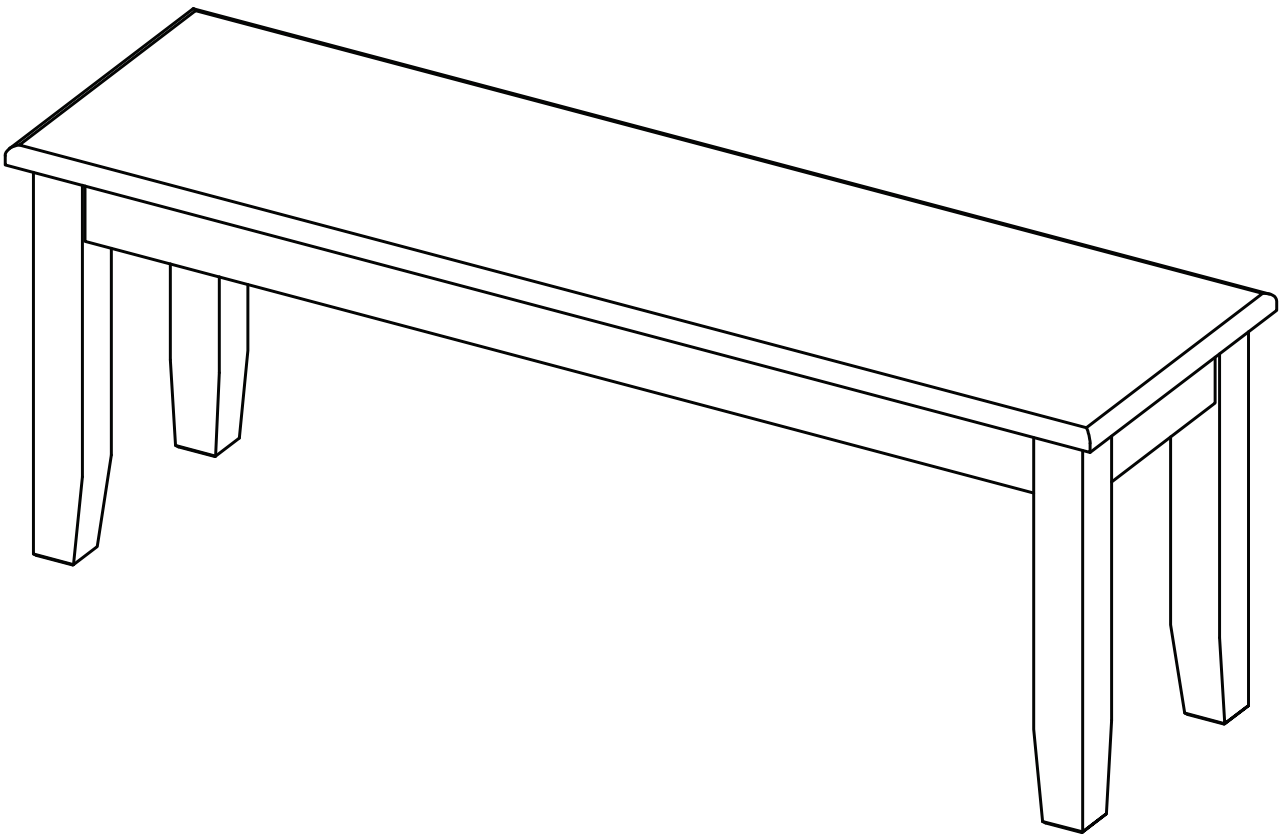
01



Hardware	Count
A	8
B	8
C	8
D	1

TIGHTEN BOLT COMPLETELY.

**Note: Maximum Capacity- 2 person,
300lbs per seat**



BE SURE TO CHECK ALL BOLTS ARE SECURELY TIGHTENED PRIOR TO USE.