

USER MANUAL



AC Curtain Motor

ORIGINALITY Q UALITY
curtain motor makes you easy life

WiFi	Super Silent	Smooth Running	Radio Control	Manual Operation	Obstacle Stop	Large Load	Assembled Fast	High Technology	High Cost Performance

FEATURES

Intelligent curtain motor for every common home

Manual Operation: When powered on, the curtain could be pull by hand with 10cm. Then the curtain open or close automatically

Manual operation without power: Without power, the curtain could be controlled by hand

Obstacle stop function: the motor could stop when it meets obstacle ,in order to protect the system

Intermediate position: motor could have a intermediate position which is between close and open position

Automatical position: motor could remember the close and open position, users do not need to reset.

Multi-control: users can choose different ways to control, such as emitter or switch.

Freely assembling: DIY design and customized tracks.

MOTOR PARAMETER

Motor Type	Rated Torque	Load	Dimension	Nominal Voltage	Nominal Consumption	IP
CM100	1.2NM	<50KG	70*50*289 mm	AC230V50HZ	45W	IP20

TRACK LOAD

Length	3m	4m	5m	6m	7m	8m
Curtain Weight	50kg	50kg	50kg	45kg	45kg	45kg

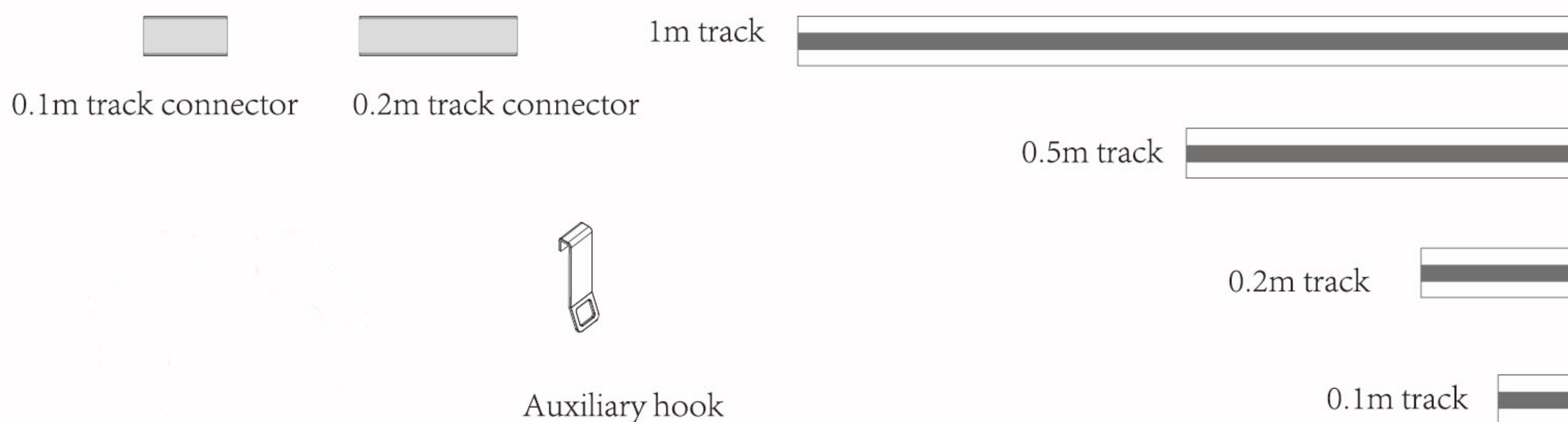
EXPLODED VIEW

Curtain Motor	Center Opening	Subsidiary Opening	Carrier	Ceiling Bracket	Hook	Belt	Track	Runners	Connection

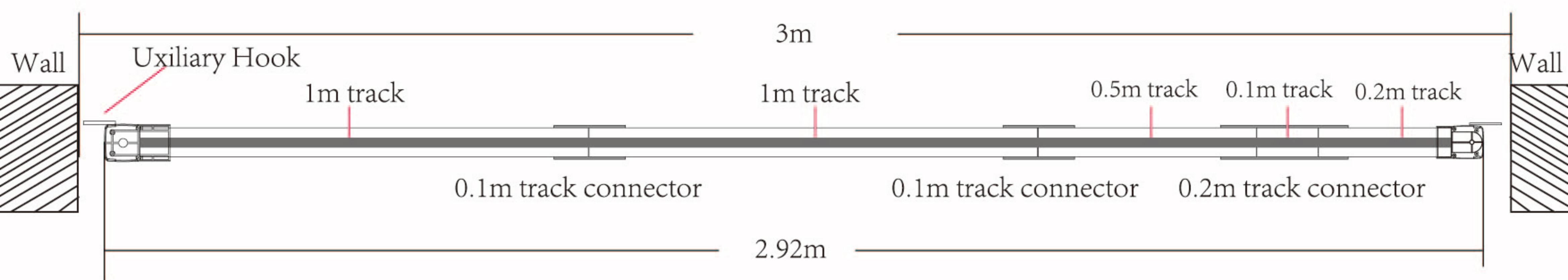
The solutions of intelligent curtain model

	Total length	Length of track (mm)	Track connector (mm)	Length of adjustable track(mm)					Suitable size
				Length of track(mm)			Track connector(mm)		
				1000	100	500	200	100	
1	2.15m	1	1	1	2	1	1	1	< 2.15m
2	3.15m	2	2	1	2	1	1	1	2.15m-3.15m
3	4.15m	3	3	1	2	1	1	1	3.15m-4.15m
4	5.15m	4	4	1	2	1	1	1	4.15m-5.15m
5	6.15m	5	5	1	2	1	1	1	5.15m-6.15m
6	7.15m	6	6	1	2	1	1	1	6.15m-7.15m
7	8.15m	7	7	1	2	1	1	1	7.15m-8.15m

Remarks: 1.The tracks with length of 500mm 、 200mm、 100mm are adjustable tracks, 200mm 、 100mm track connectors are connecting pieces for adjustable track, please take notice notice that the shortest track should be mounted on the head of the curtain tracks (closest position to the wall) .
2.Optional accessories:Side mounting bracket, 90 degree angle



Example:track connect solution

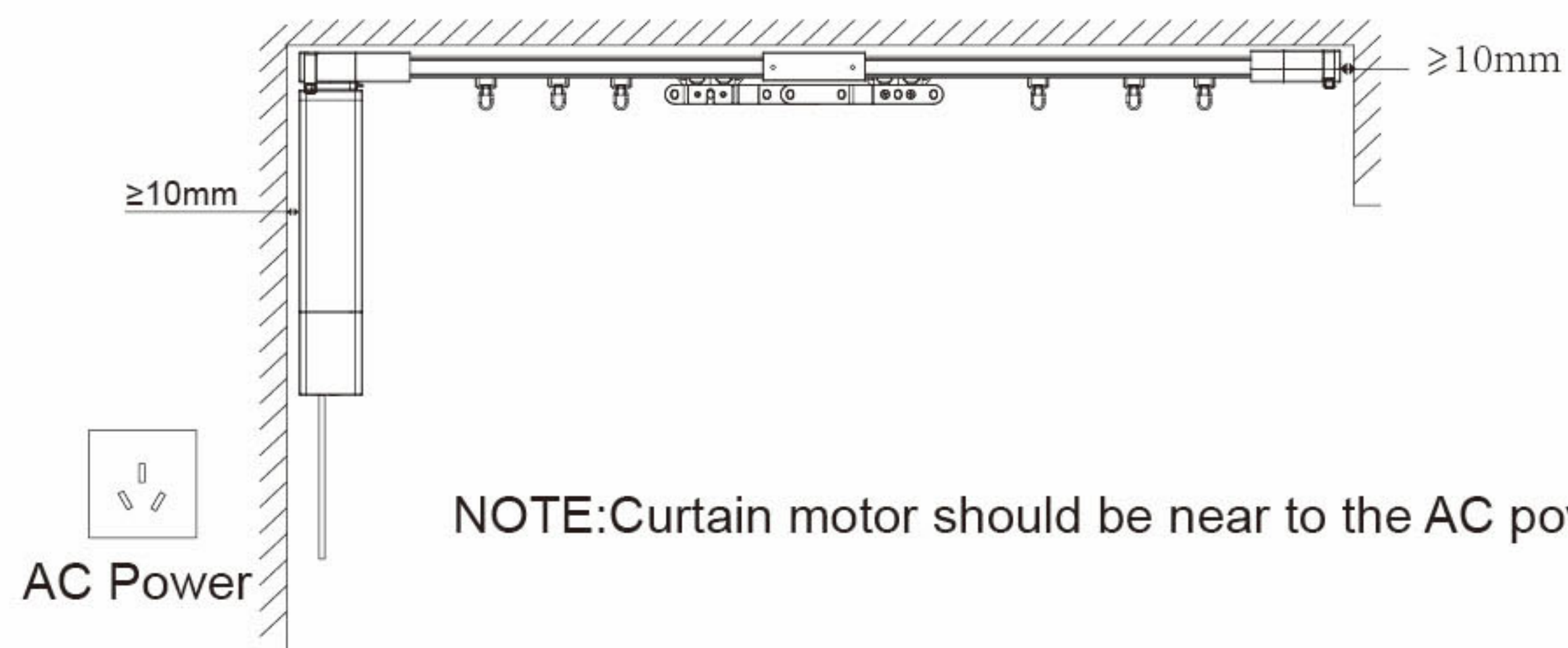


The distance between the track and the wall is at least blank10mm

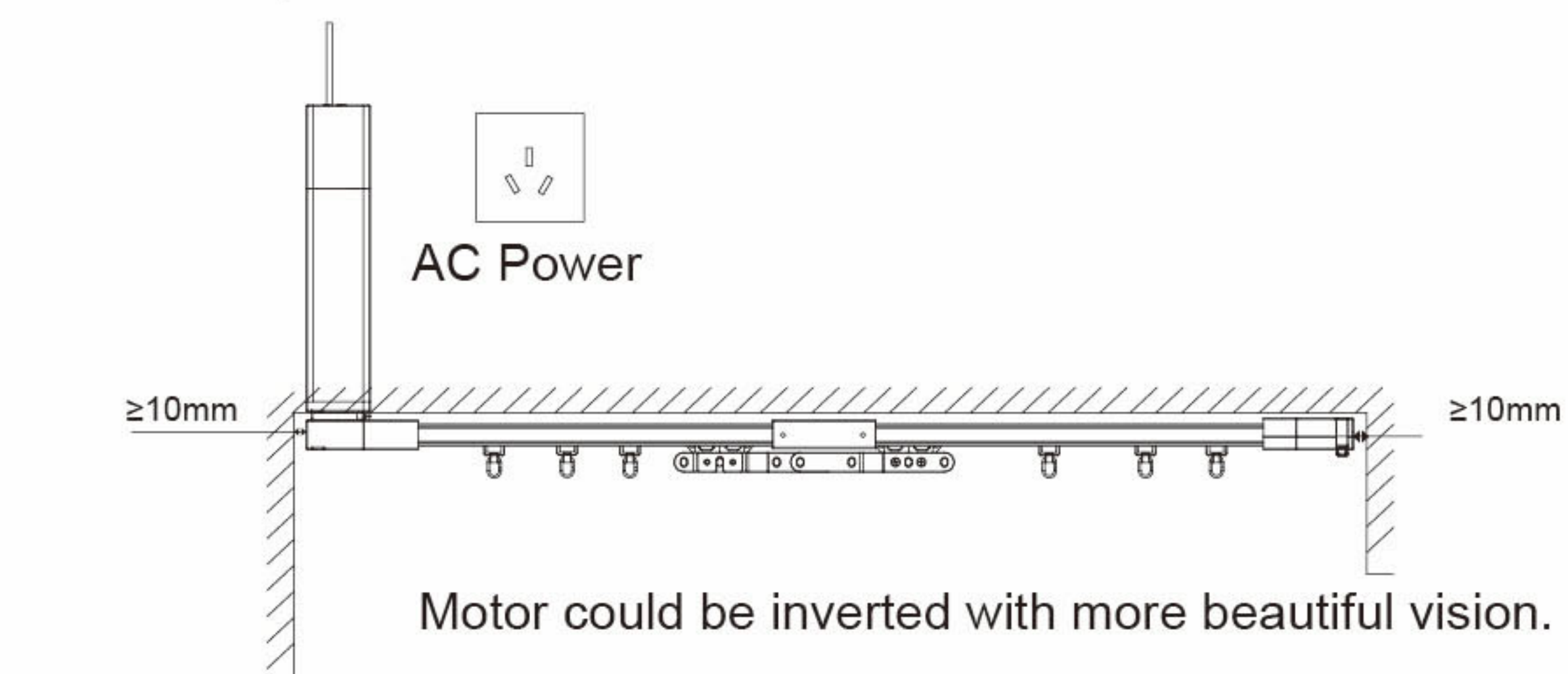
Pay attention to the solution and the position of 0.1m track connector and 0.2m track connector when you use them
Center opening +Subsidiary opening=0.12m(length)

The distance between the track and the wall is at least blank 10mm

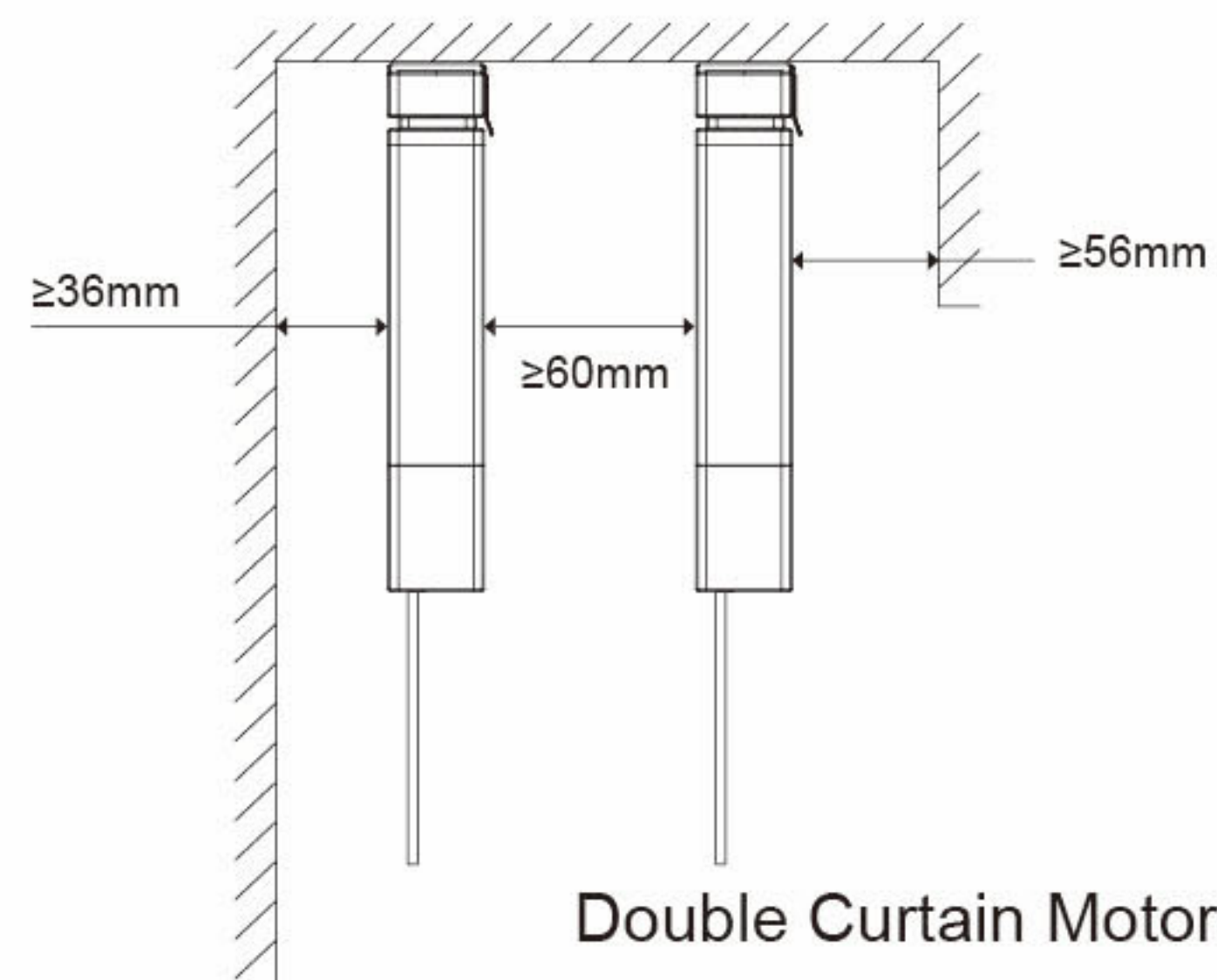
Curtain Track Dimension & Measurement



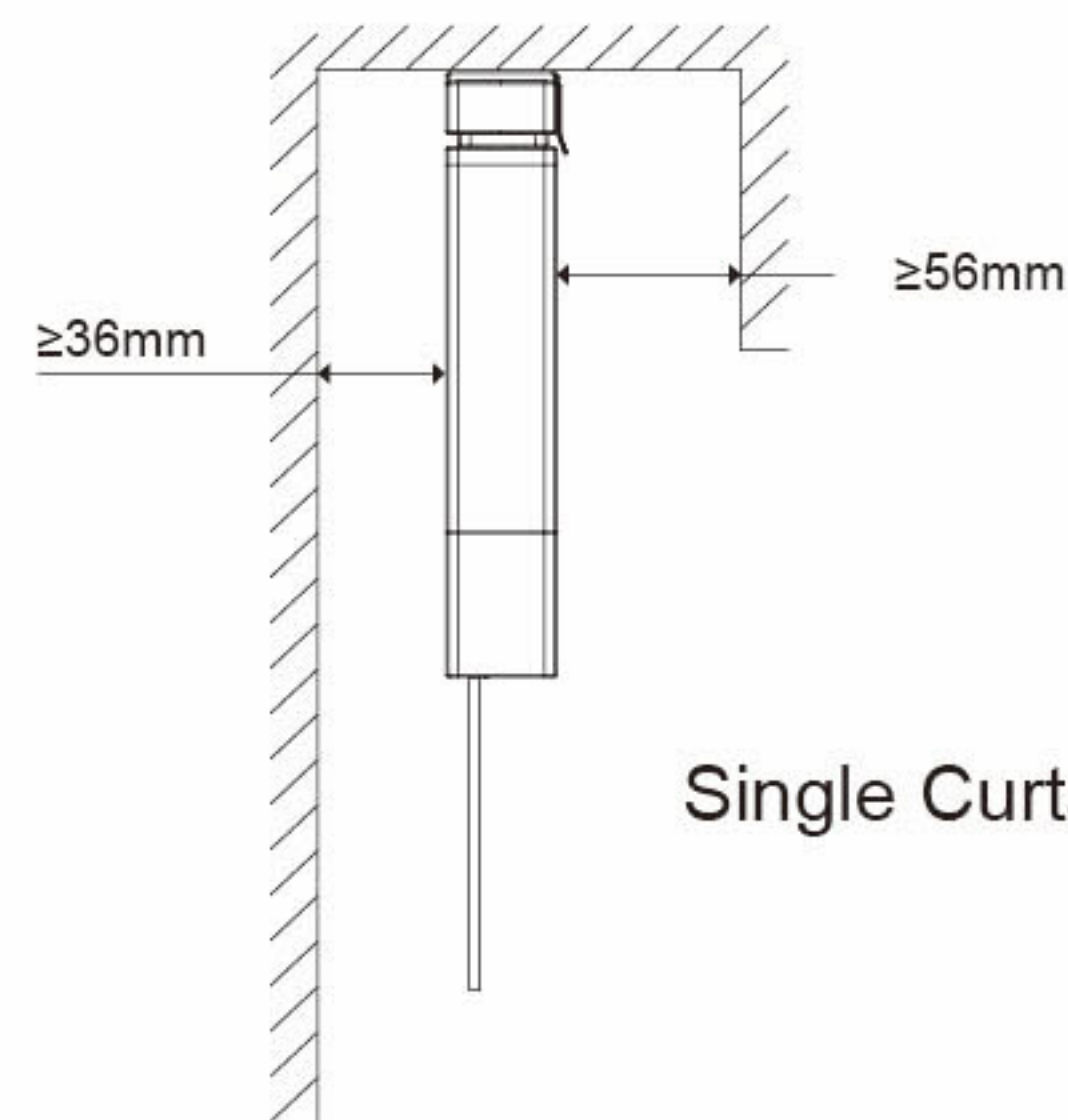
NOTE: Curtain motor should be near to the AC power



Motor could be inverted with more beautiful vision.



Double Curtain Motors

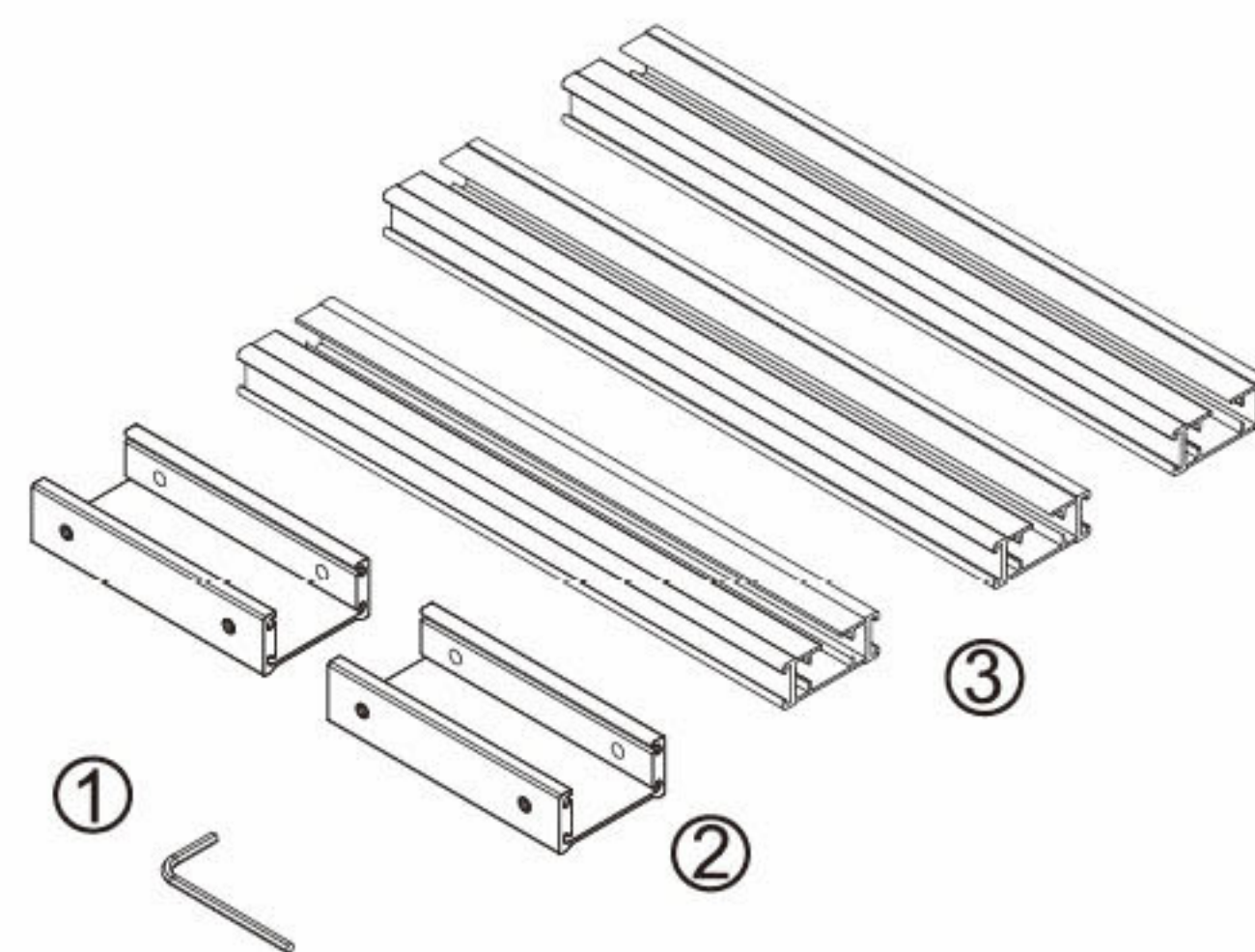


Single Curtain Motor

Track Installation Steps

Three sections as an example

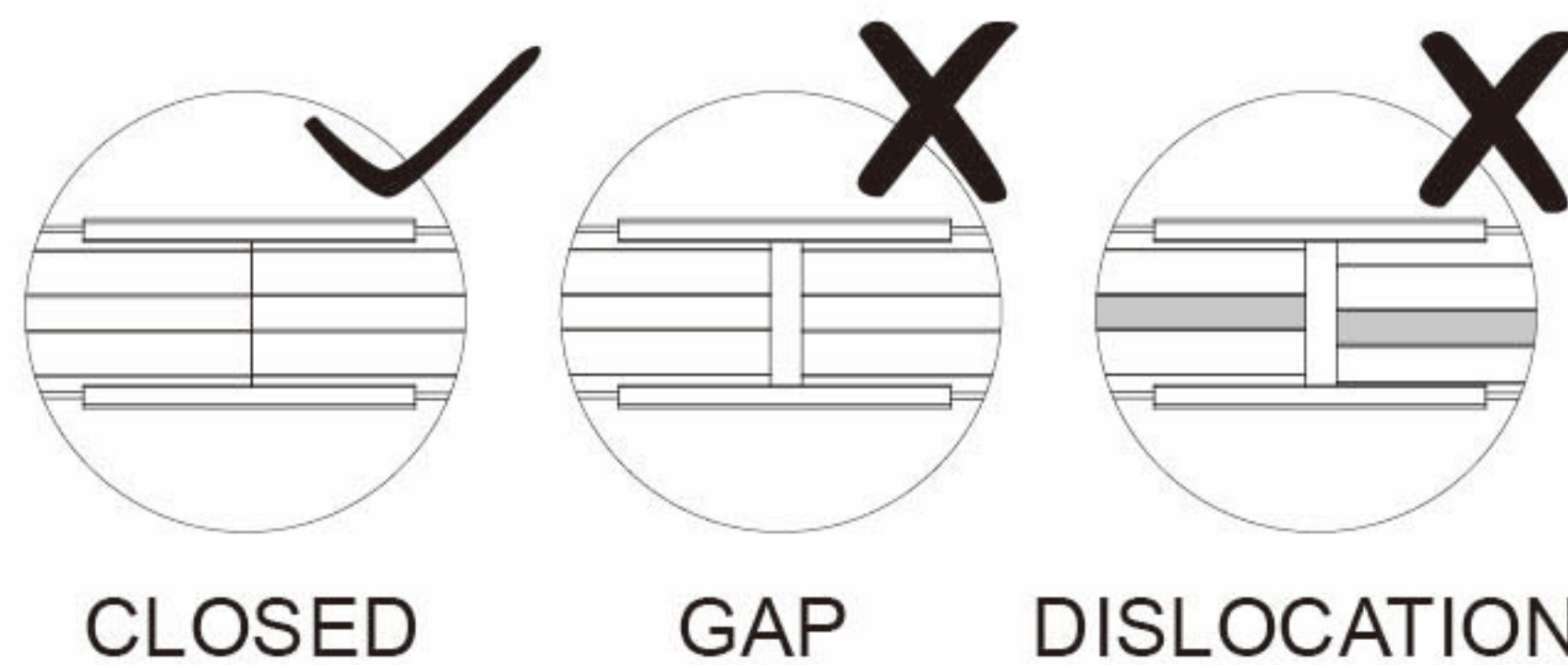
- ① Allen wrench
- ② Connections
- ③ Tracks



① Put the tracks and connections on flat ground

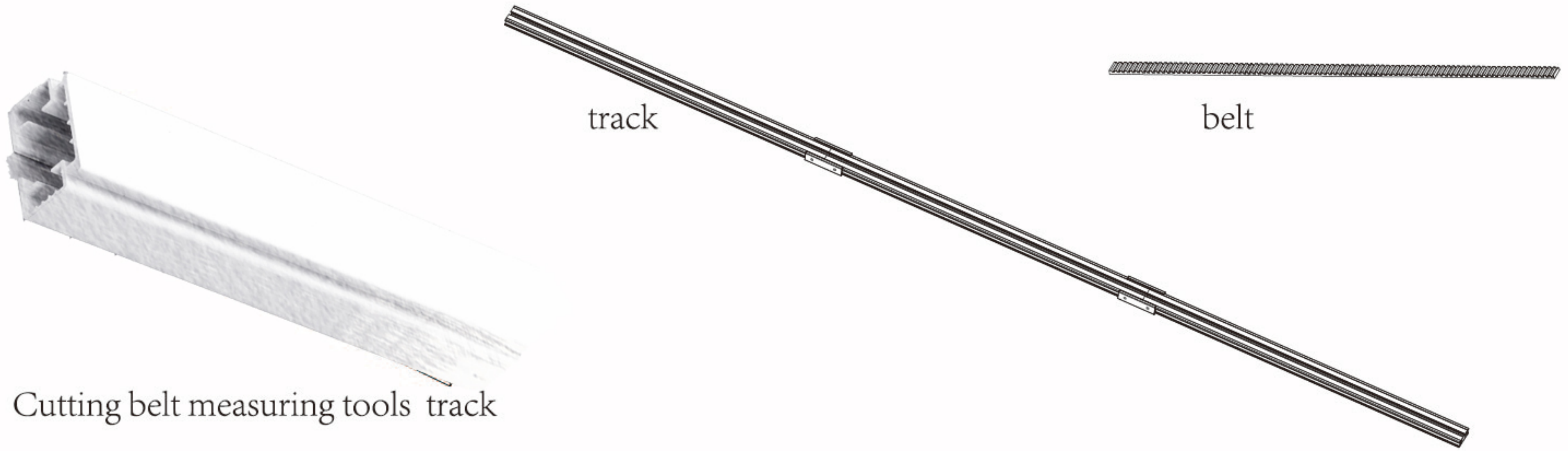
- ②
 - ① Push the tracks into the connections.
 - ② Let the tracks closed in the connection, then tighten the screws through Allen wrench.

NOTE: through tightening the screws, users can adjust the gap of two tracks. No gap, no dislocation.

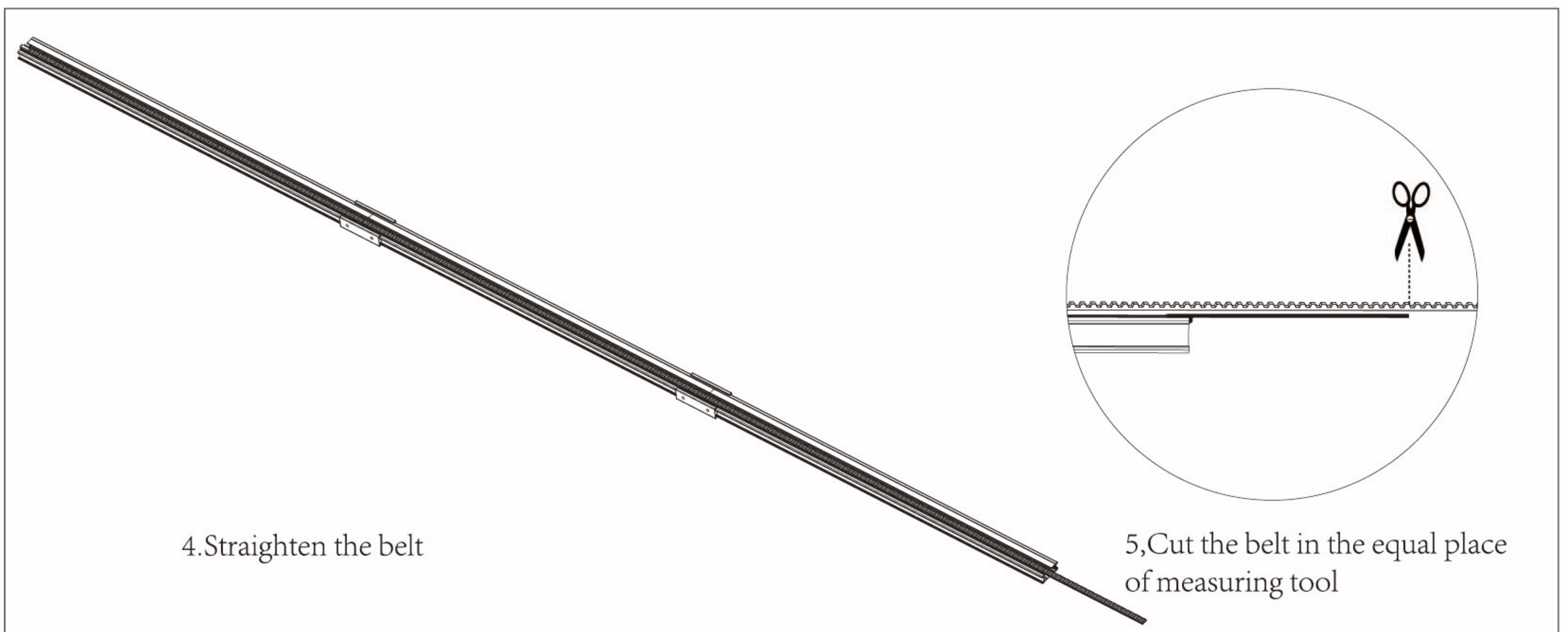
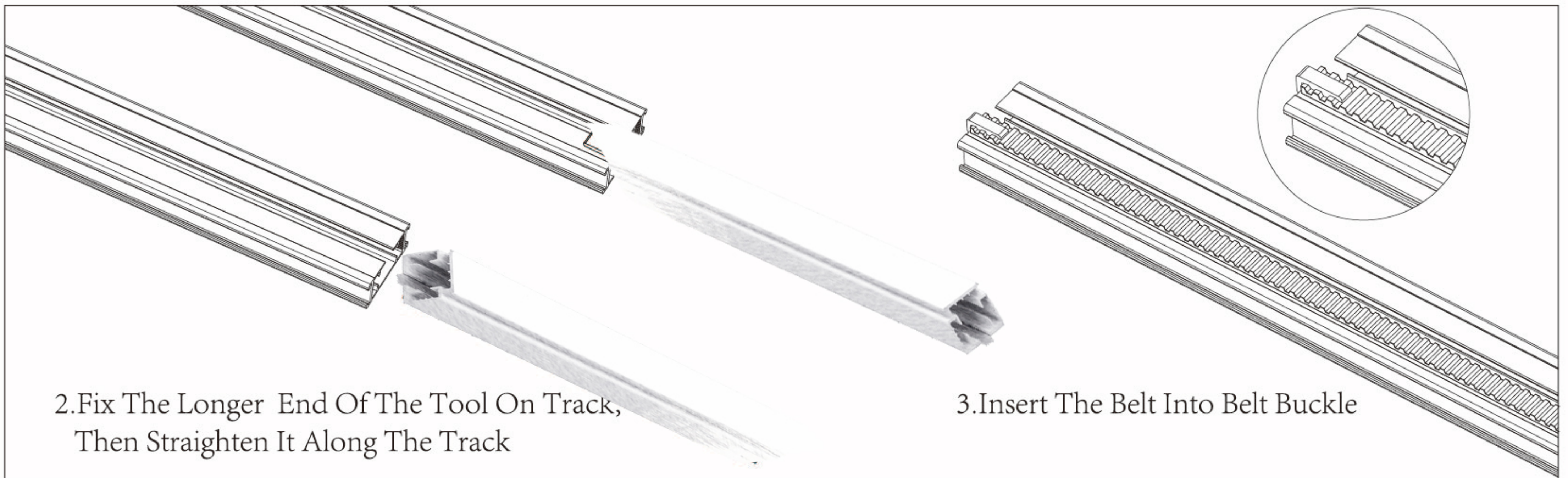
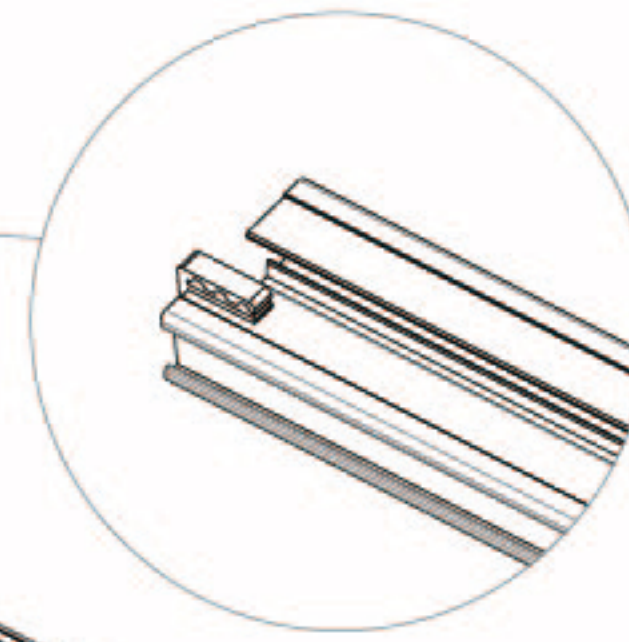
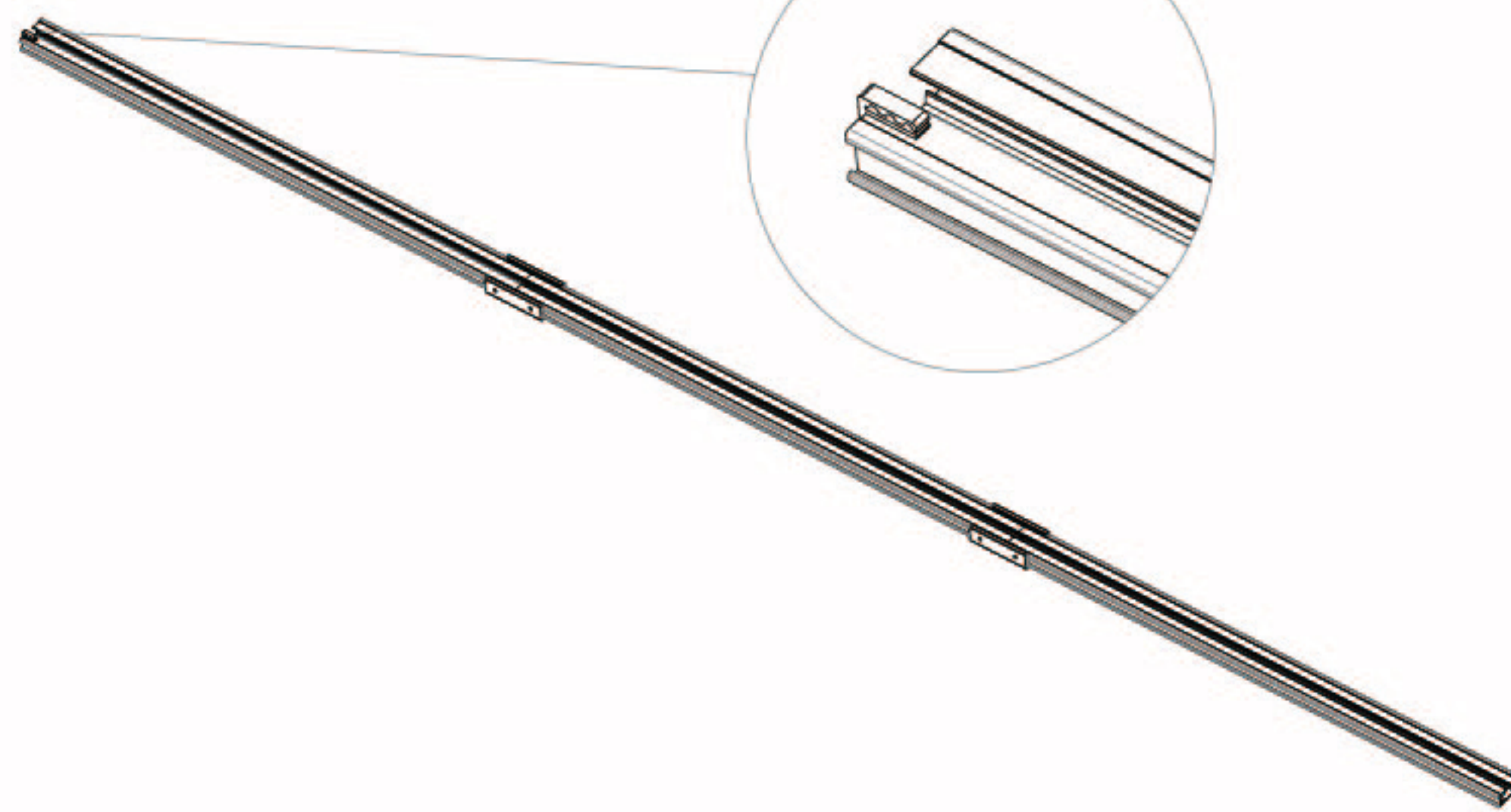
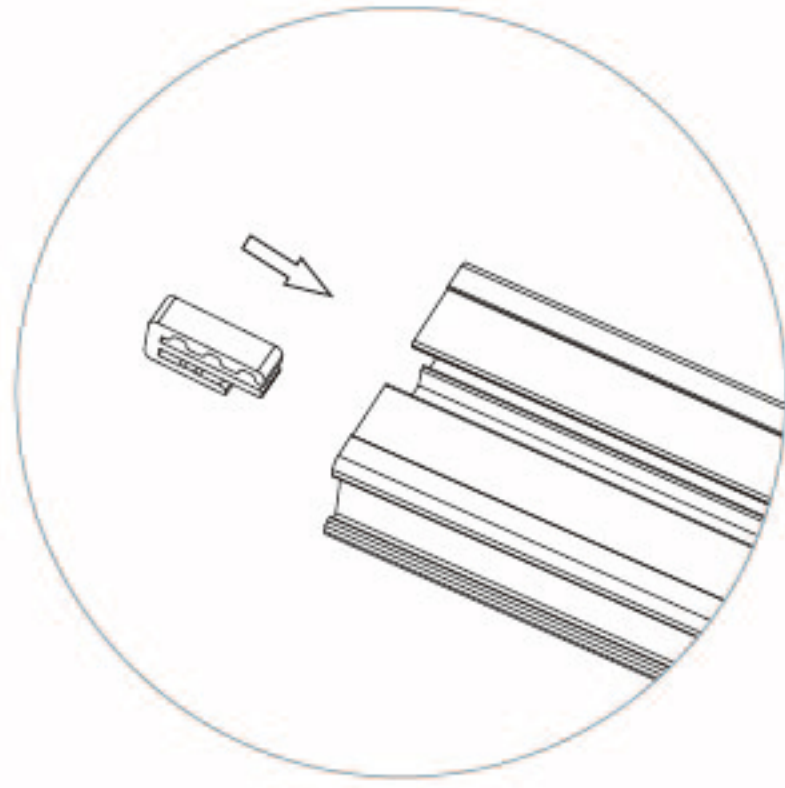


Cutting belt measuring tools instruction manual

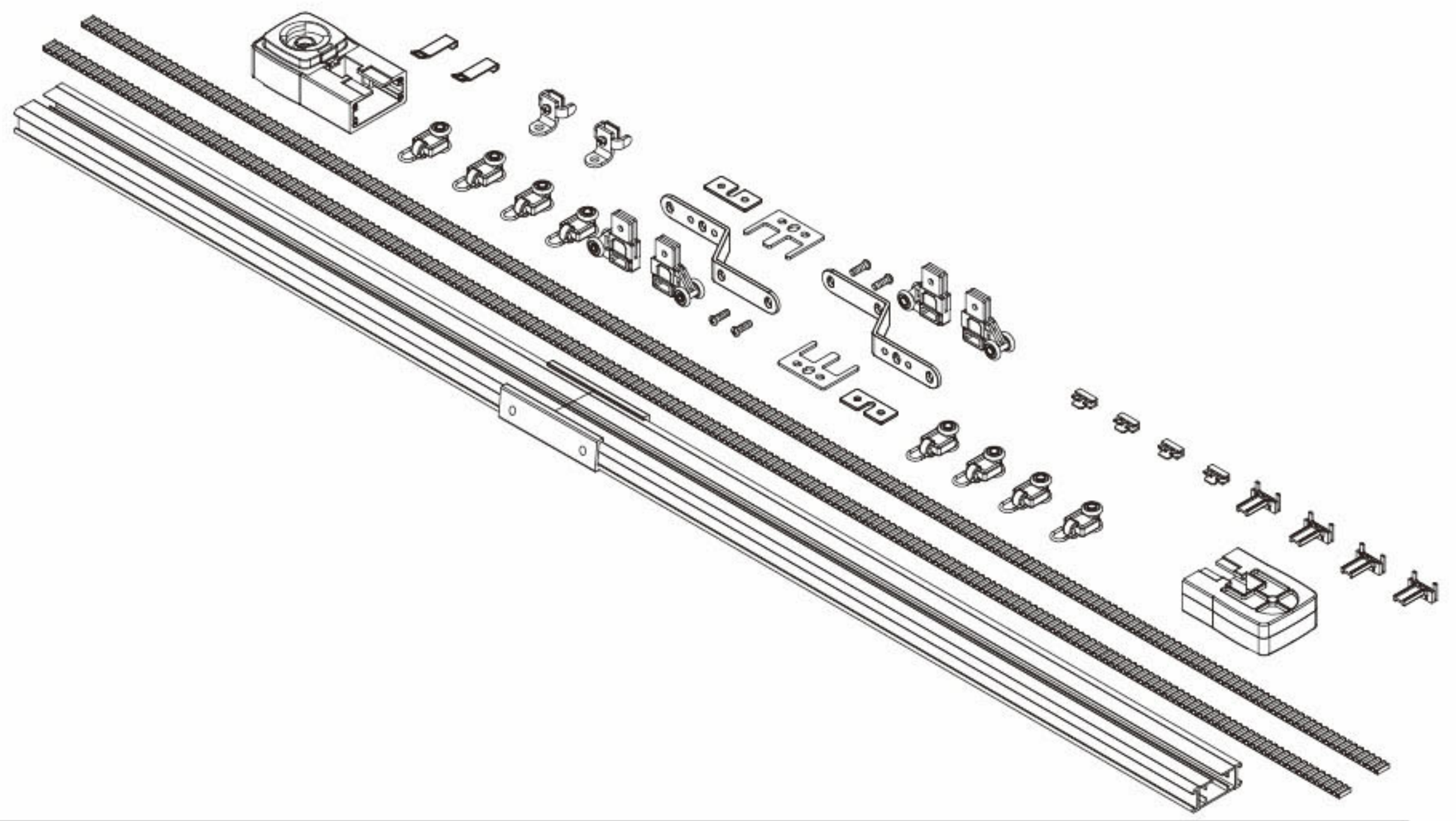
Remark: Only applicable double direction opening belt cutting
Double opening direction track needs making two equal length belts in the same way.



Take the tail set fixed at 1 end



Double-side Open Track Installation Steps



- *Use cutting belt measuring tools to cut belt
- Customer needs 2 belt in same length.
- *Runners: 8pcs per meter; integer forward
- *2pcs hooks
- *2pcs carriers for Double-side Open
- 2 sections track as an sample

1

Materials Belt buckle*2

Fix the belt buckle on the end of belt

Belt

Belt 1
Belt 2

2

Materials Carrier Wheel*2

Fix the belt into the carrier wheel

Belt 1
Belt 2

The carrier wheel must be fixed on different sides of two belts.

3

Materials Belt 1, Belt 2, Track

One belt across one track.

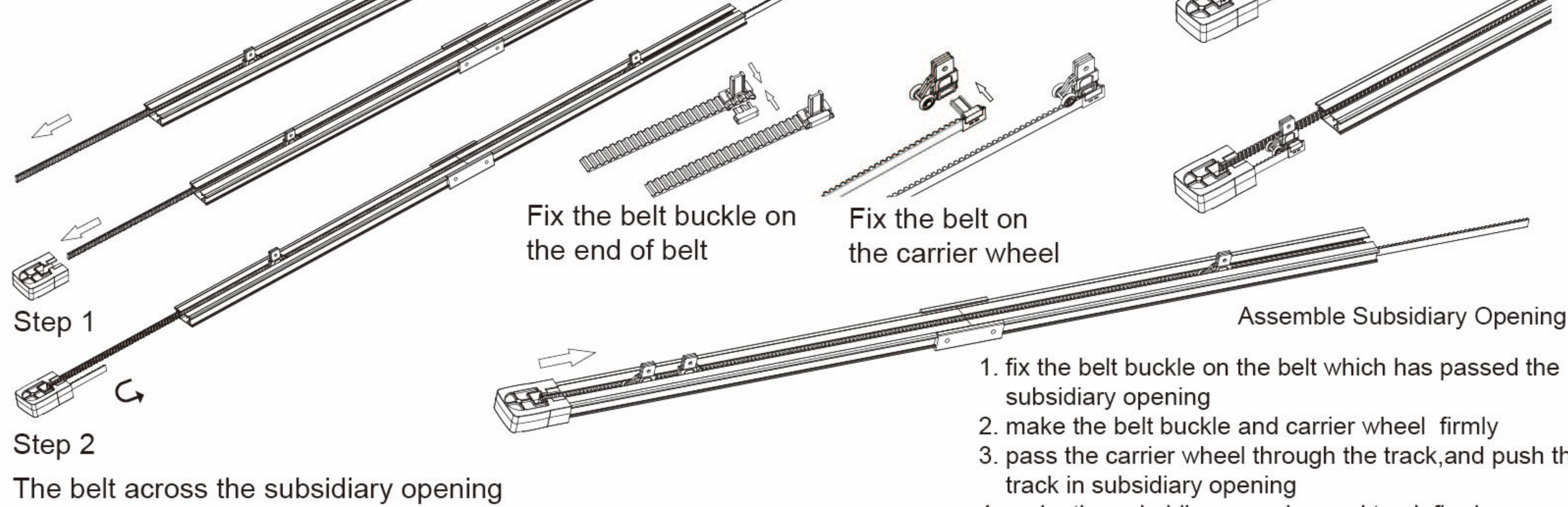
The other belt across another track

4 Materials



Subsidiary opening Belt buckle Carrier wheel

Pull out one belt from the track



Step 1

Step 2

The belt across the subsidiary opening

Fix the belt buckle on the end of belt

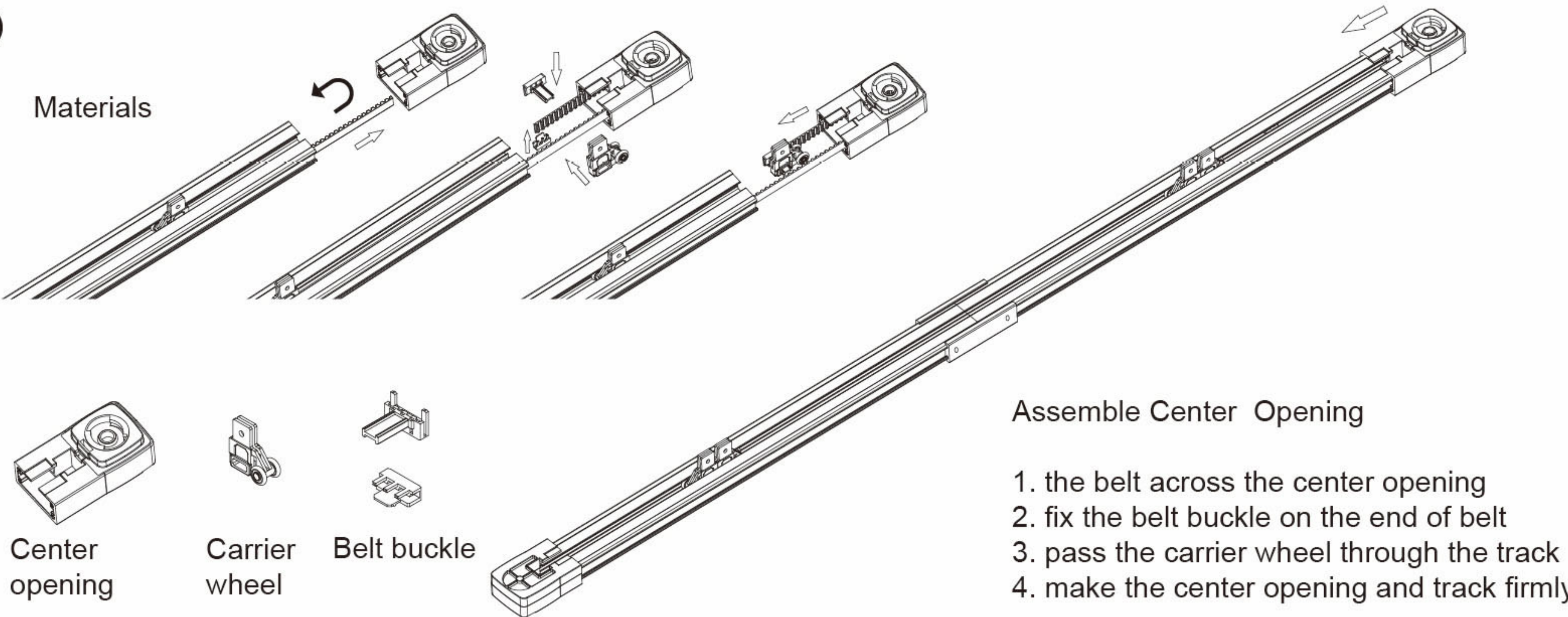
Fix the belt on the carrier wheel

Assemble Subsidiary Opening

1. fix the belt buckle on the belt which has passed the subsidiary opening
2. make the belt buckle and carrier wheel firmly
3. pass the carrier wheel through the track, and push the track in subsidiary opening
4. make the subsidiary opening and track firmly

5

Materials



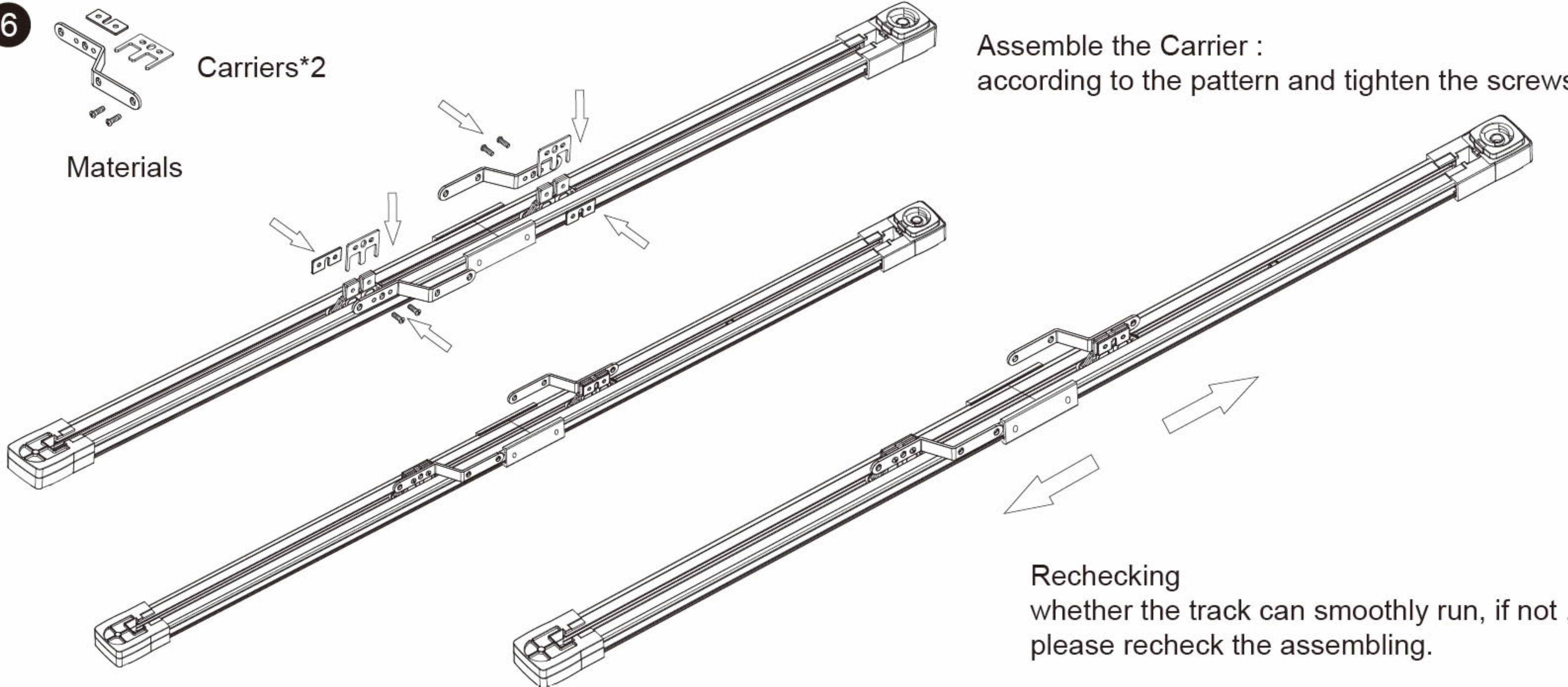
Center opening Carrier wheel Belt buckle

Assemble Center Opening

1. the belt across the center opening
2. fix the belt buckle on the end of belt
3. pass the carrier wheel through the track
4. make the center opening and track firmly

6

Carriers*2
Materials

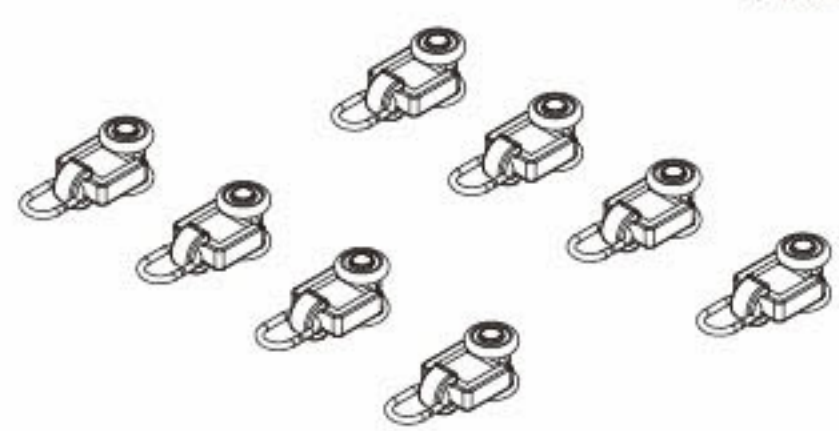


Assemble the Carrier : according to the pattern and tighten the screws.

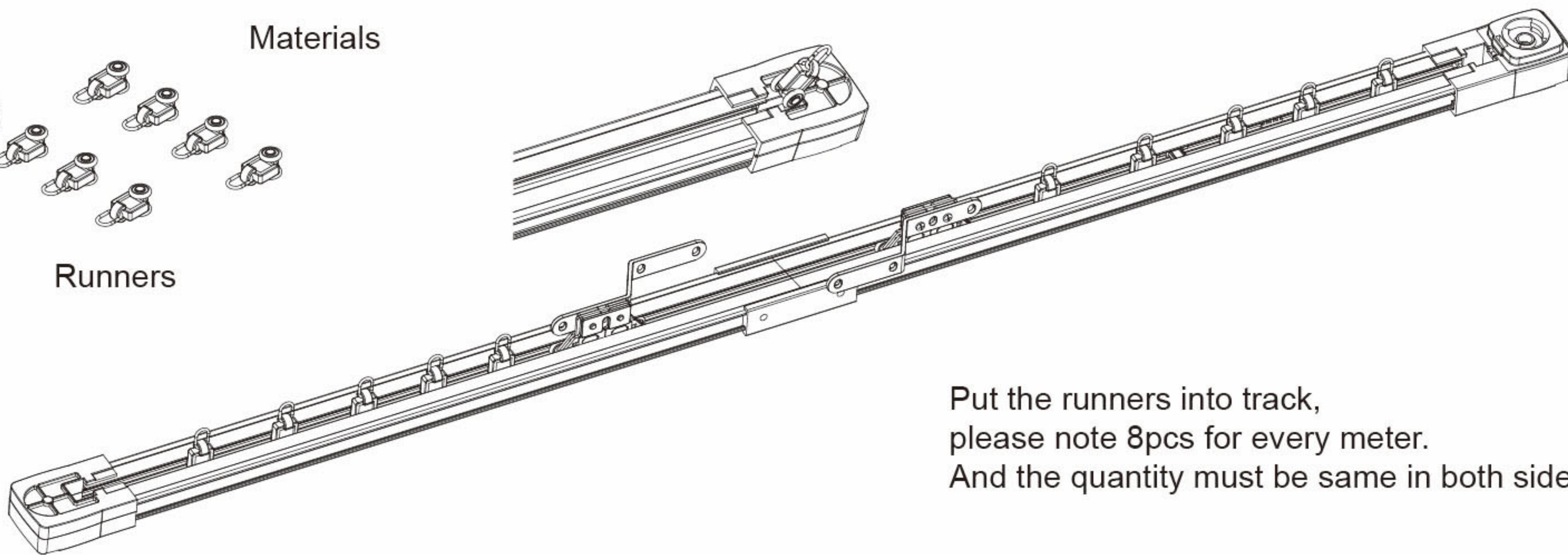
Rechecking whether the track can smoothly run, if not , please recheck the assembling.

7

Materials



Runners

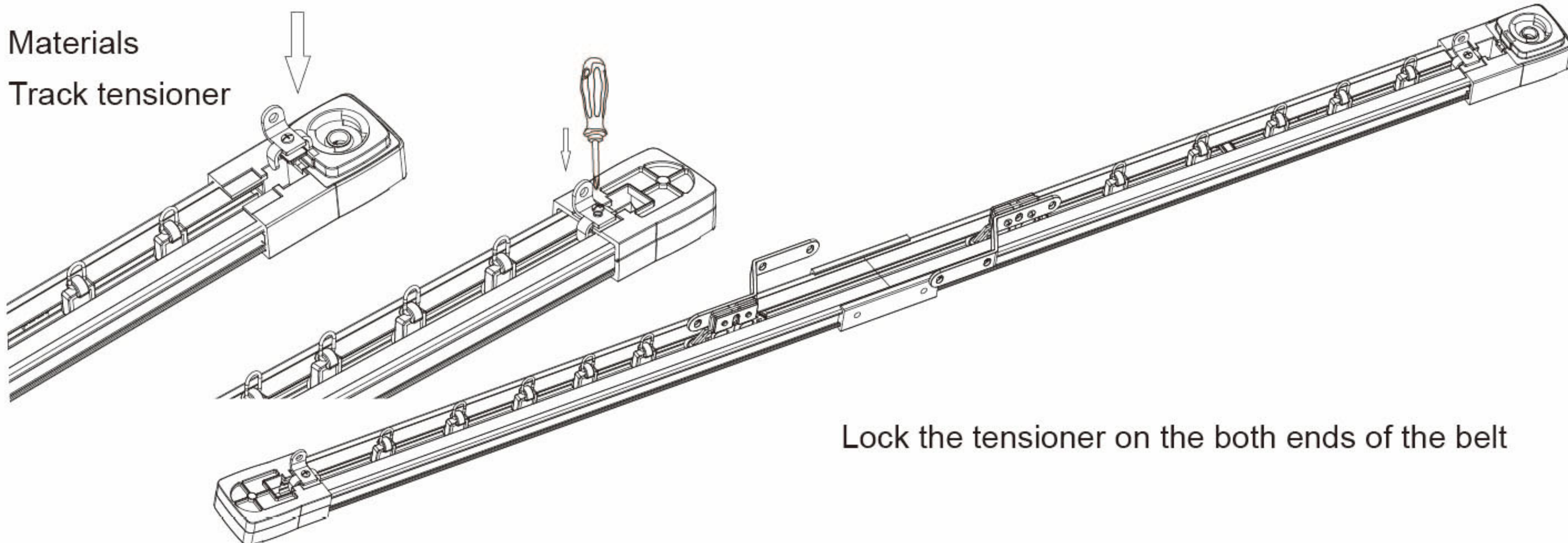


Put the runners into track,
please note 8pcs for every meter.
And the quantity must be same in both side.

8

Materials

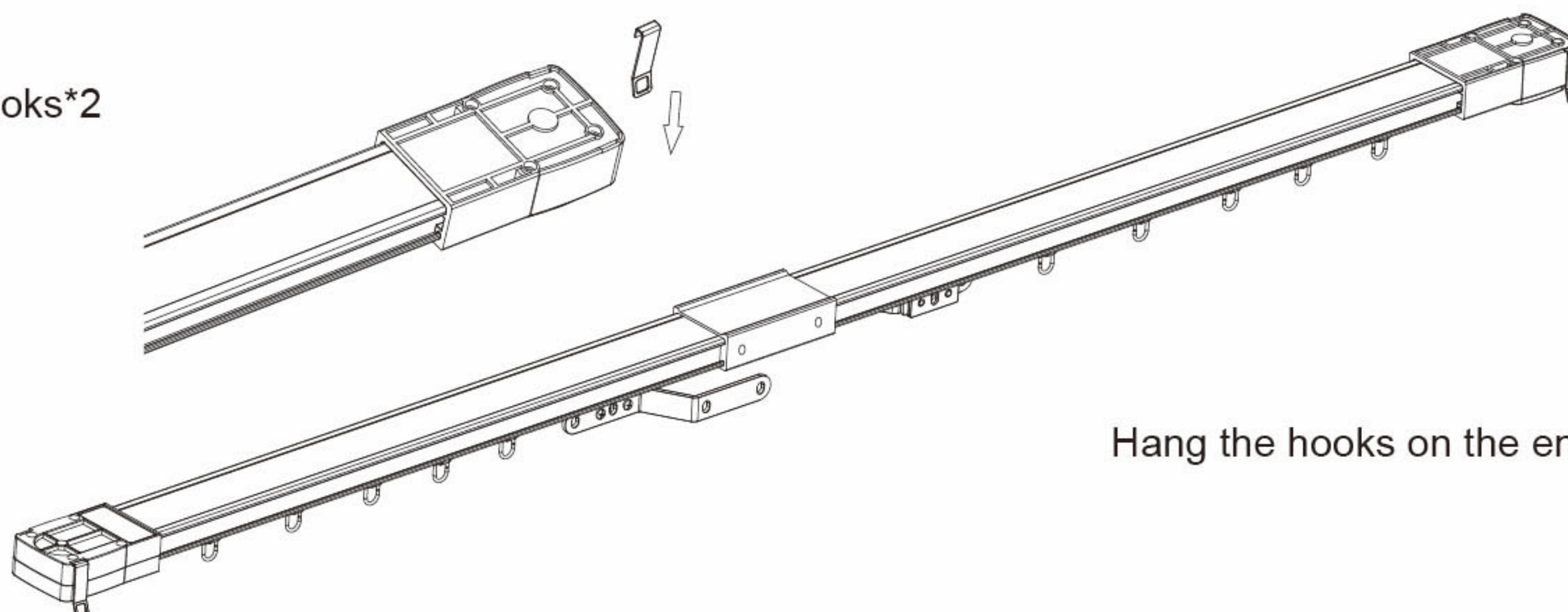
Track tensioner



Lock the tensioner on the both ends of the belt

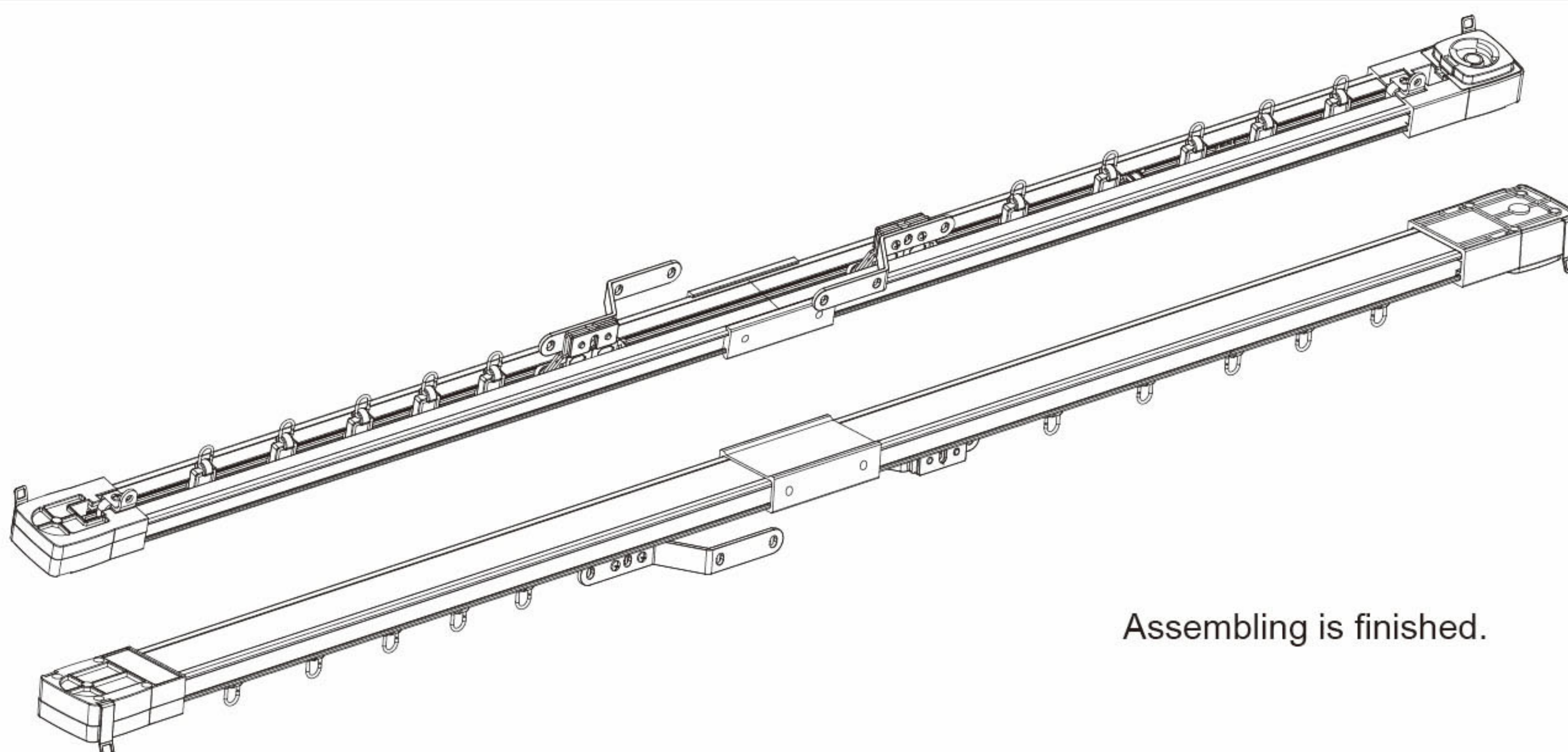
9

Hooks*2

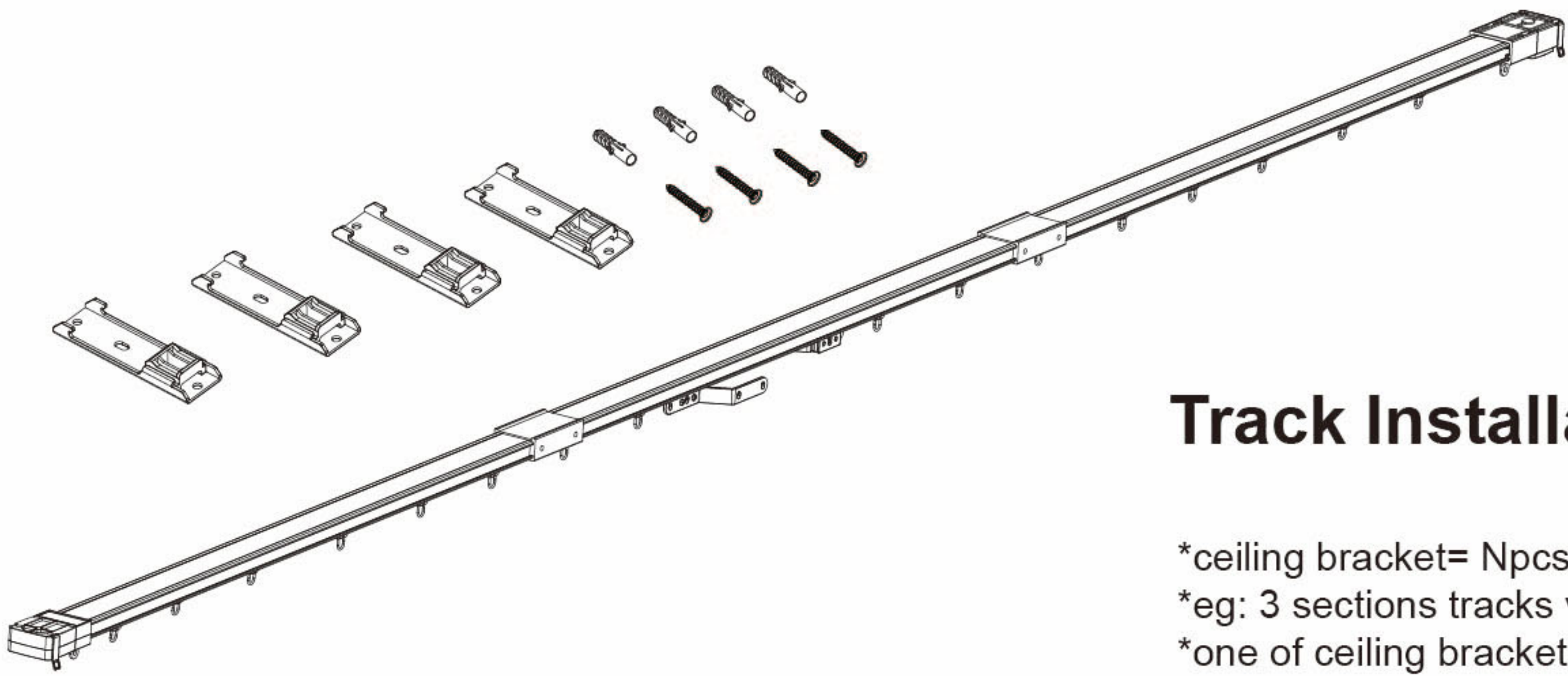


Hang the hooks on the ends of the track

10



Assembling is finished.

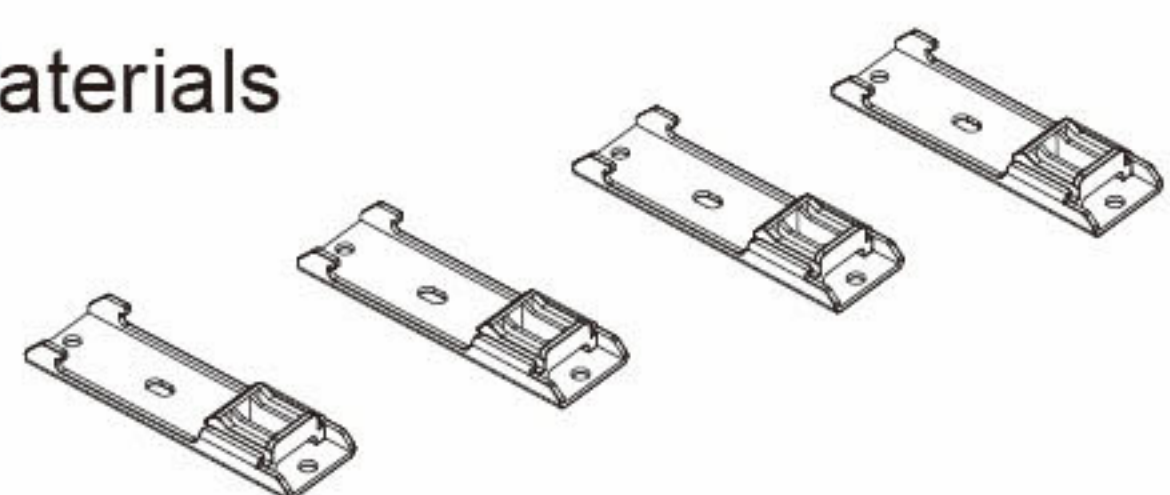


Track Installation Steps

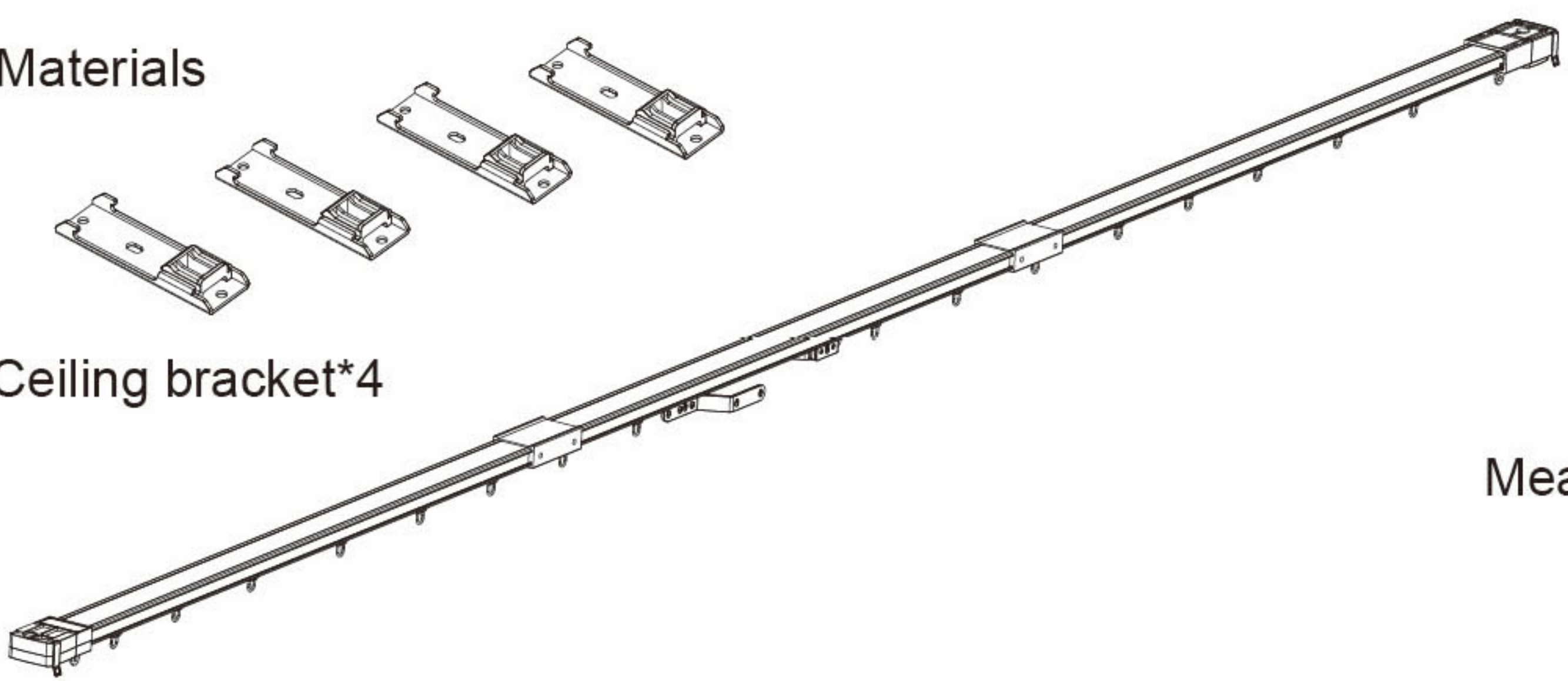
- *ceiling bracket= Npcs section+1pcs
- *eg: 3 sections tracks with 4 ceiling brackets
- *one of ceiling brackets must be near to connection.
- *two of ceiling brackets should be close to both opening.
- 3 sections track as an sample

1 Location of Ceiling bracket

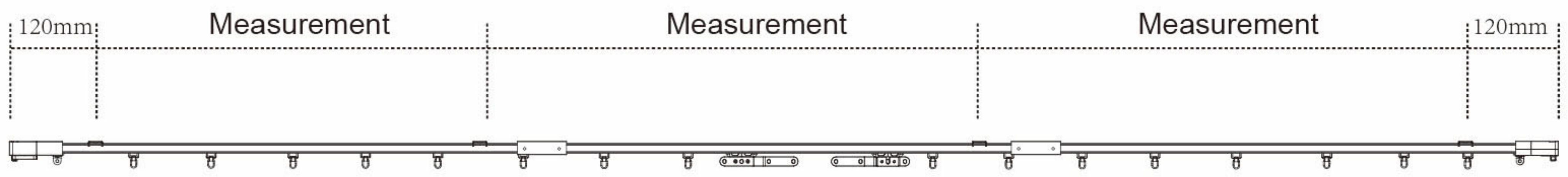
Materials



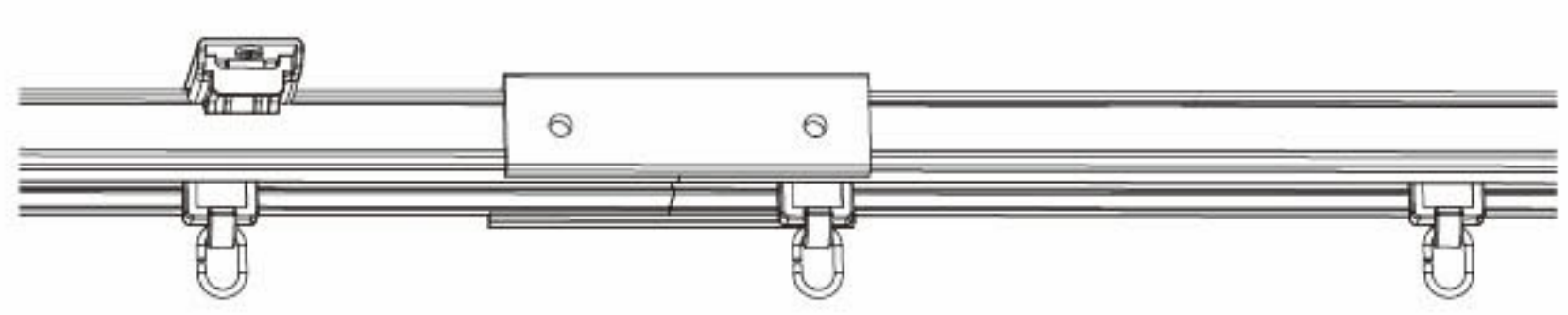
Ceiling bracket*4



Measuring the distance in advance



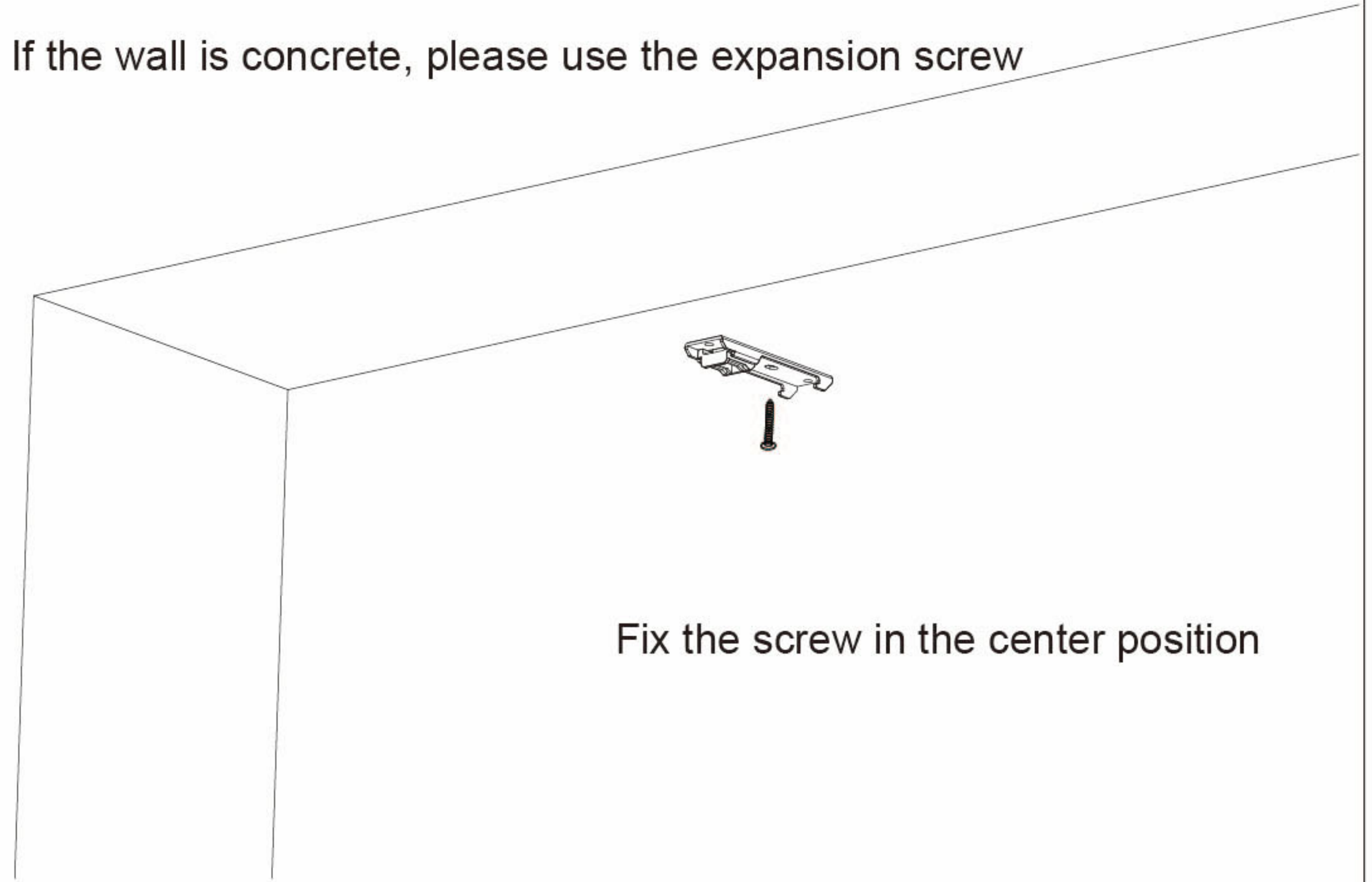
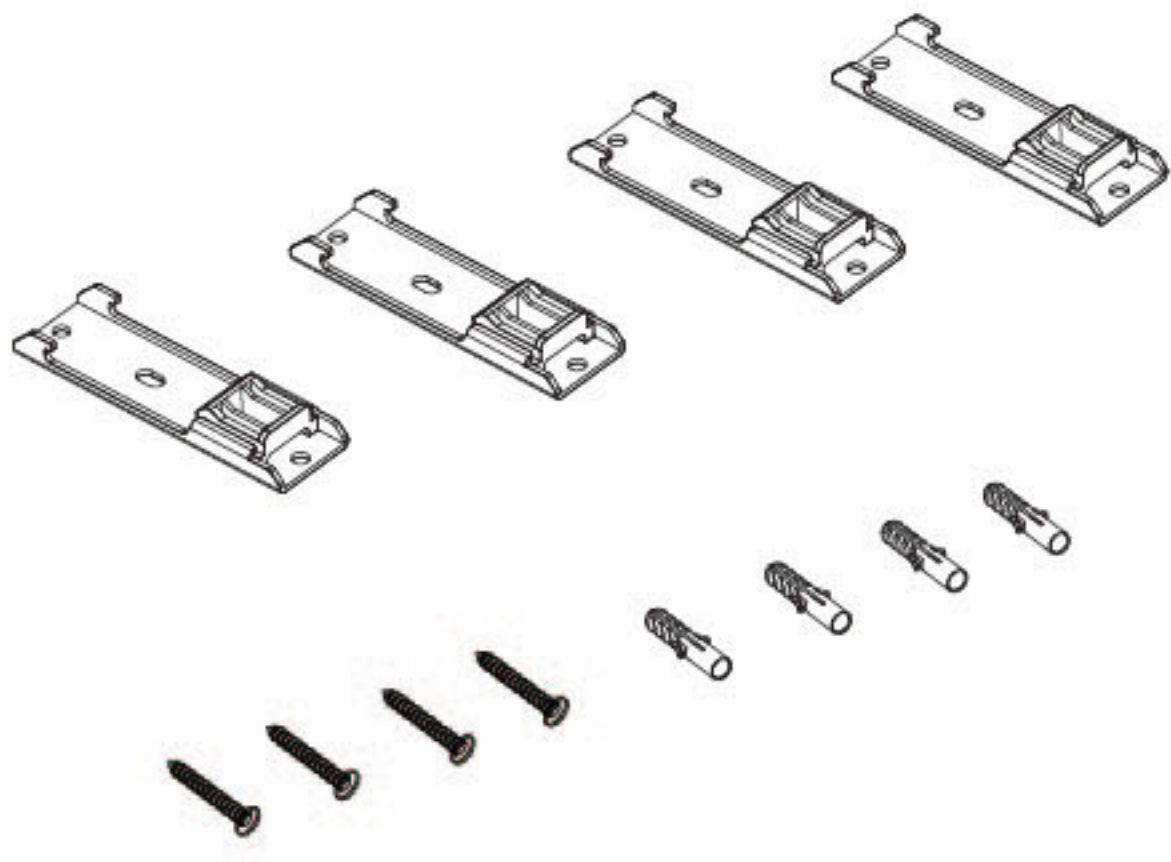
NOTE: One of the ceiling bracket must be near to the connection



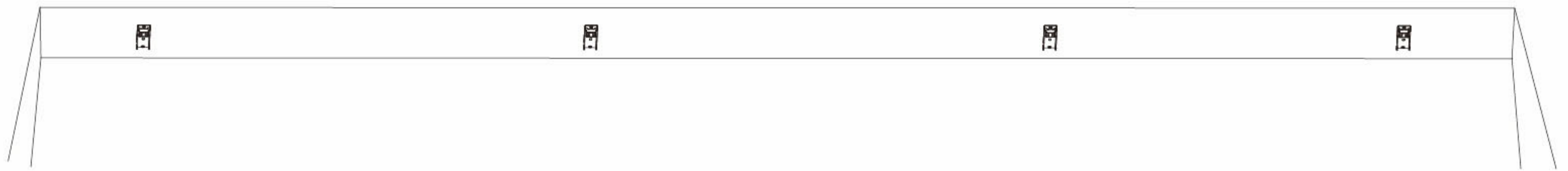
2 Fix the Ceiling bracket

Ceiling bracket*4 & screws

If the wall is concrete, please use the expansion screw



Fix the screw in the center position

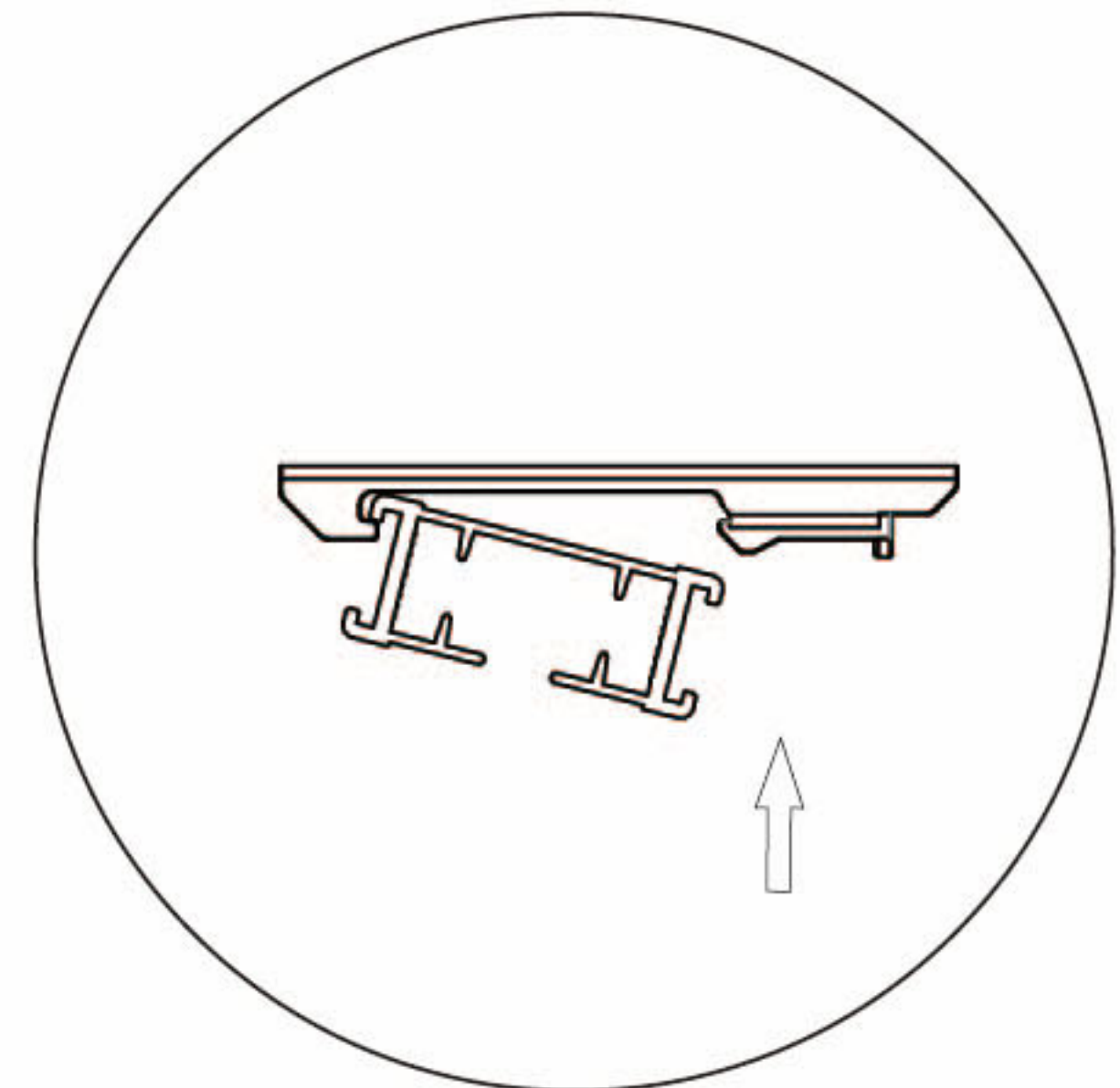
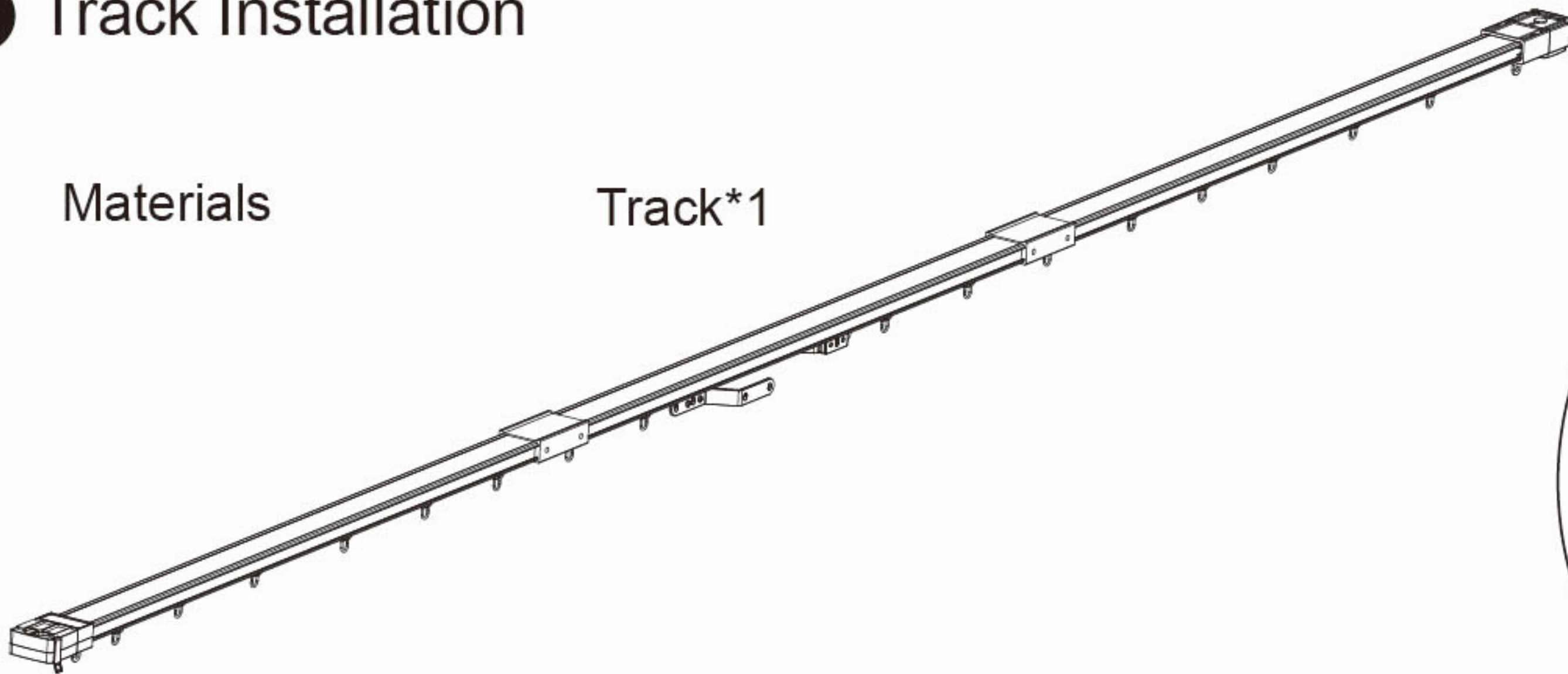


After determine the location, mounting the ceiling bracket

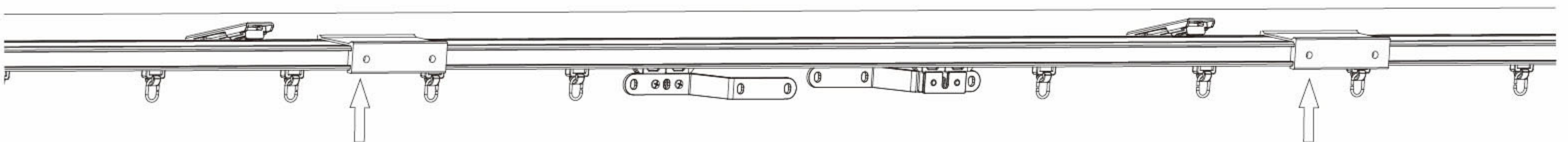
3 Track Installation

Materials

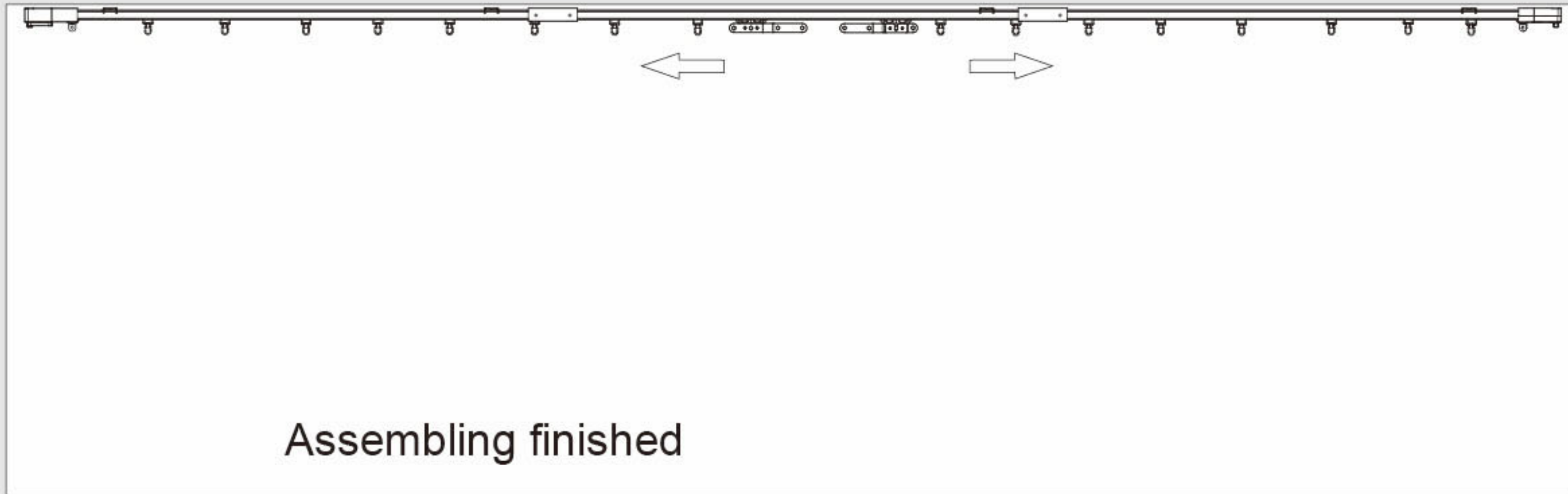
Track*1



Insert one side of the track, then push and make the track fully go into the ceiling bracket



4 TEST



NOTE:

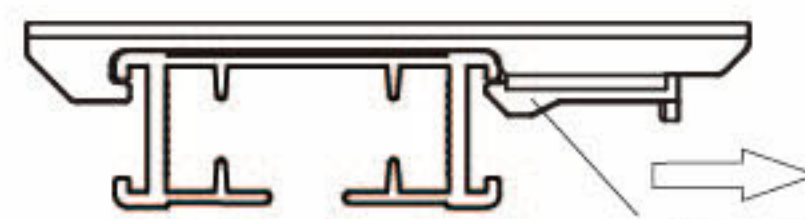
1. recheck the carrier, whether the track can smoothly run, if not ,please recheck the assembling.
2. recheck the connections,keep the connections and track close.
3. the hook should face to the users,not to the wall.

Disassembly of track

Follow the steps

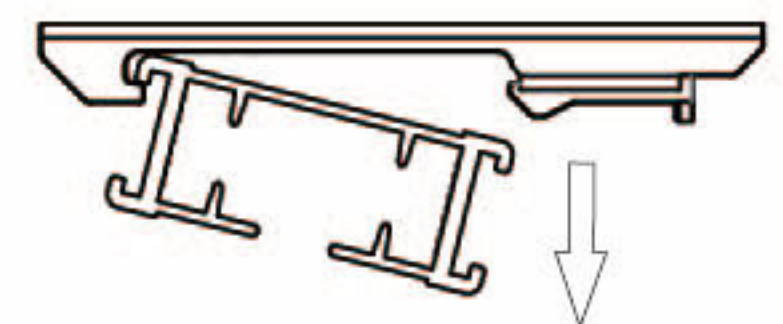


Original state

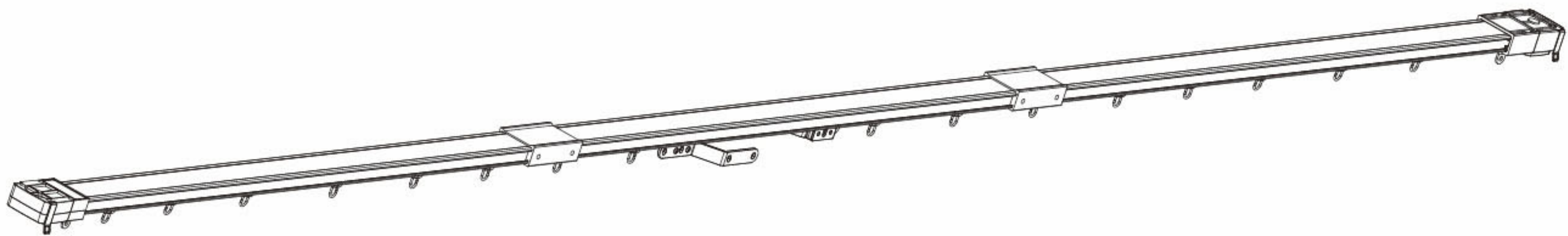


Slip the lock

Ceiling bracket lock

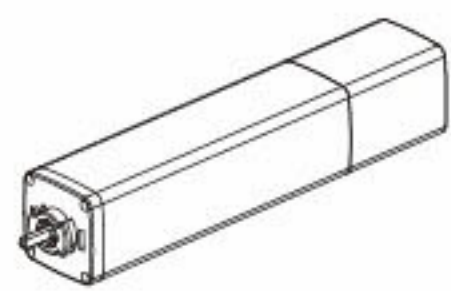


Take off the track

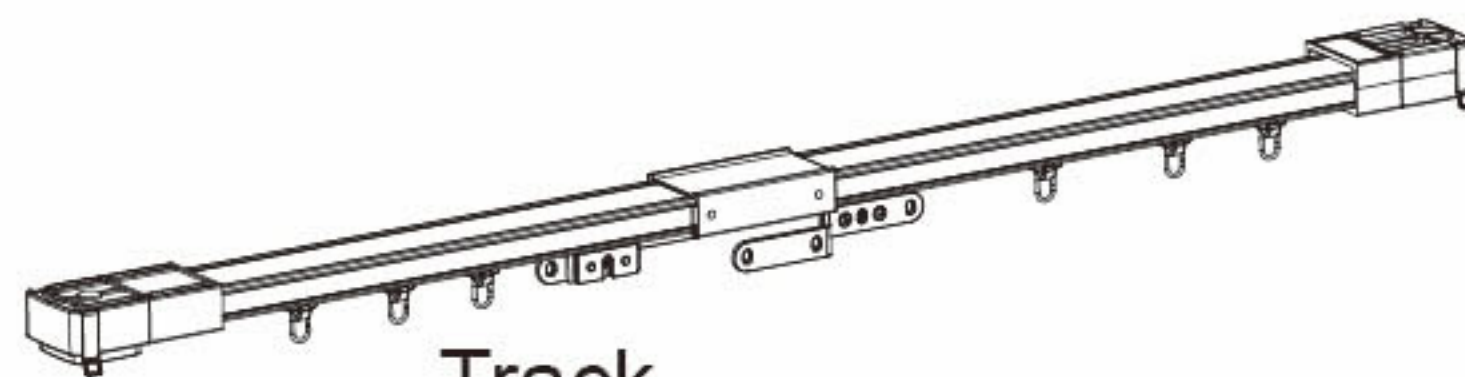


MOTOR

1 Materials

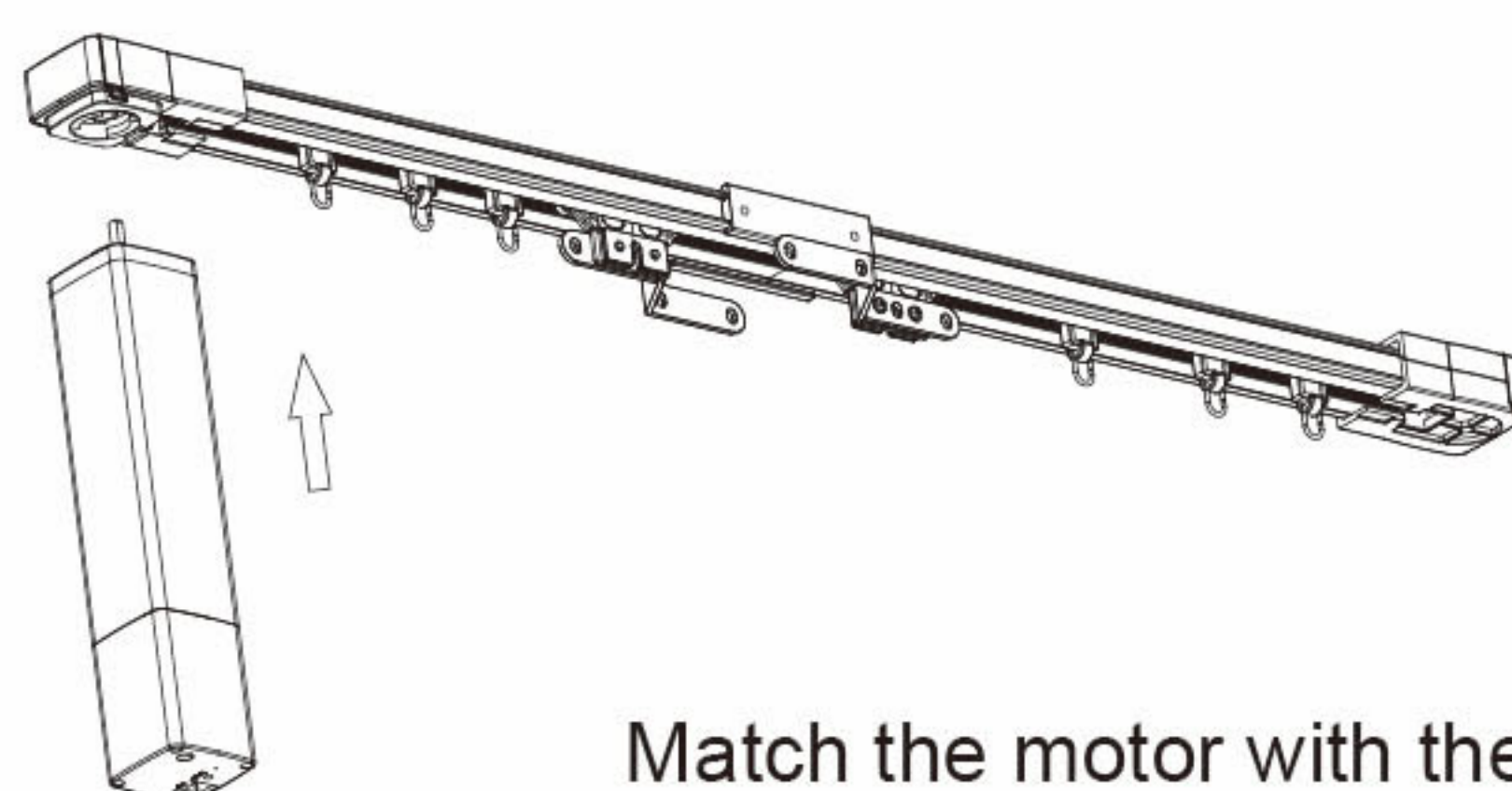
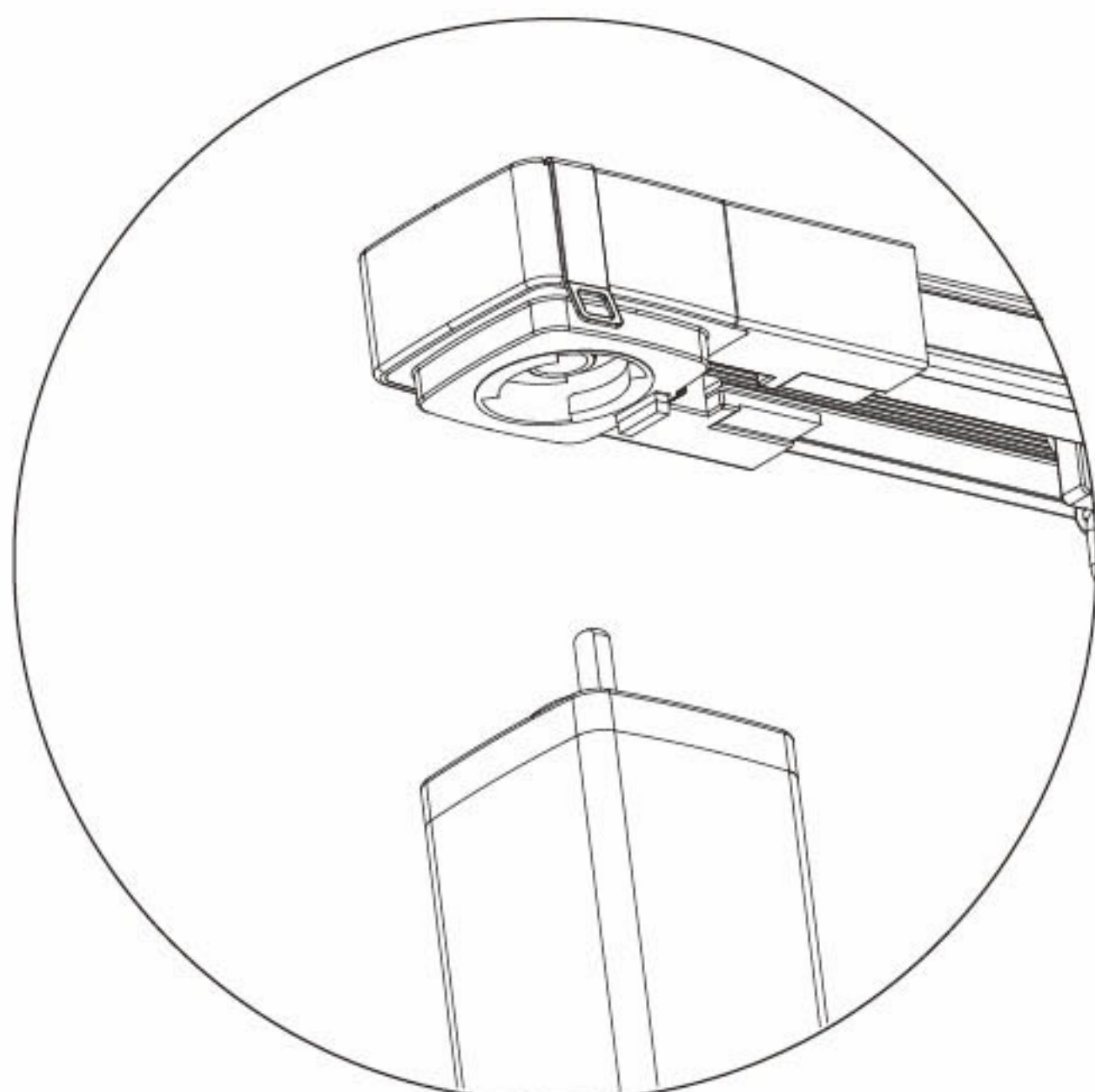


Motor



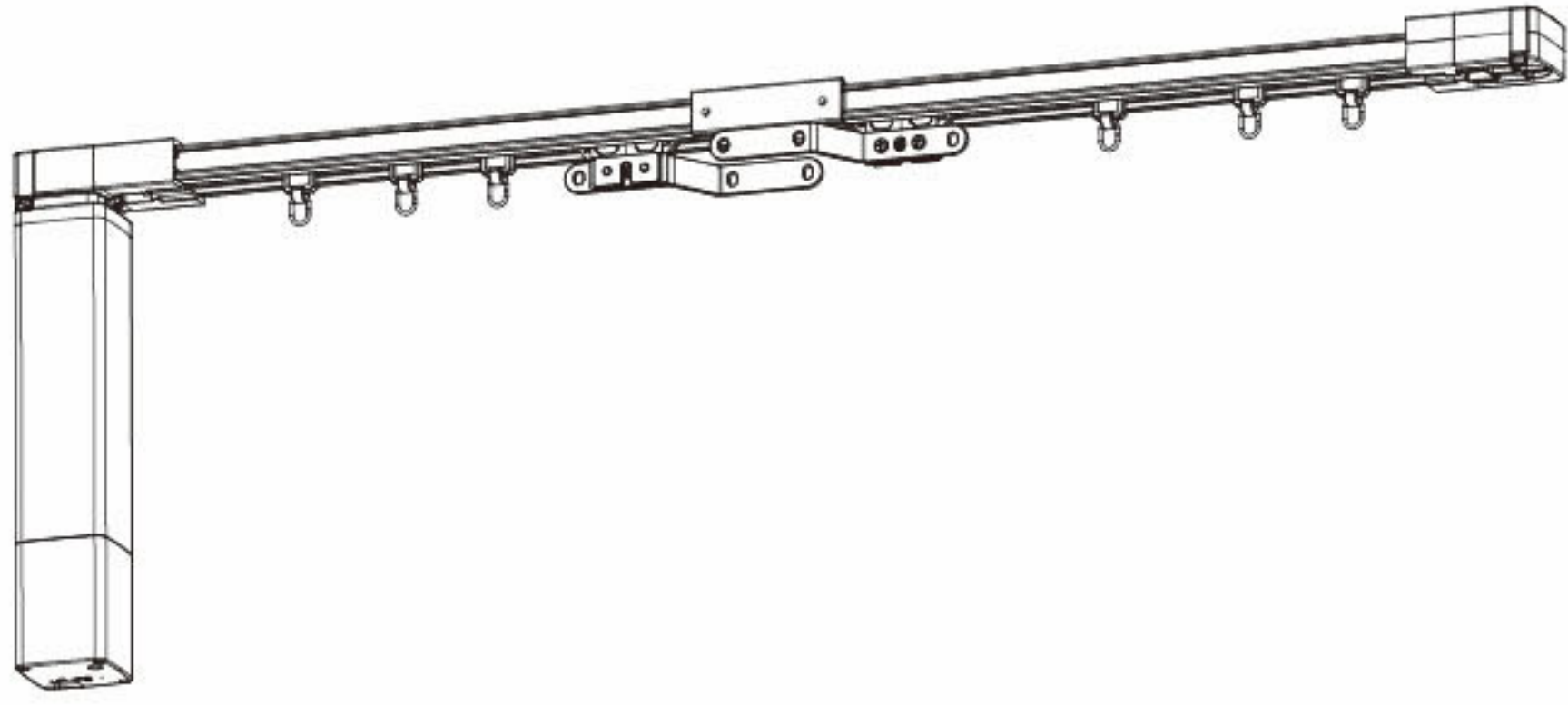
Track

Shaft & spigot



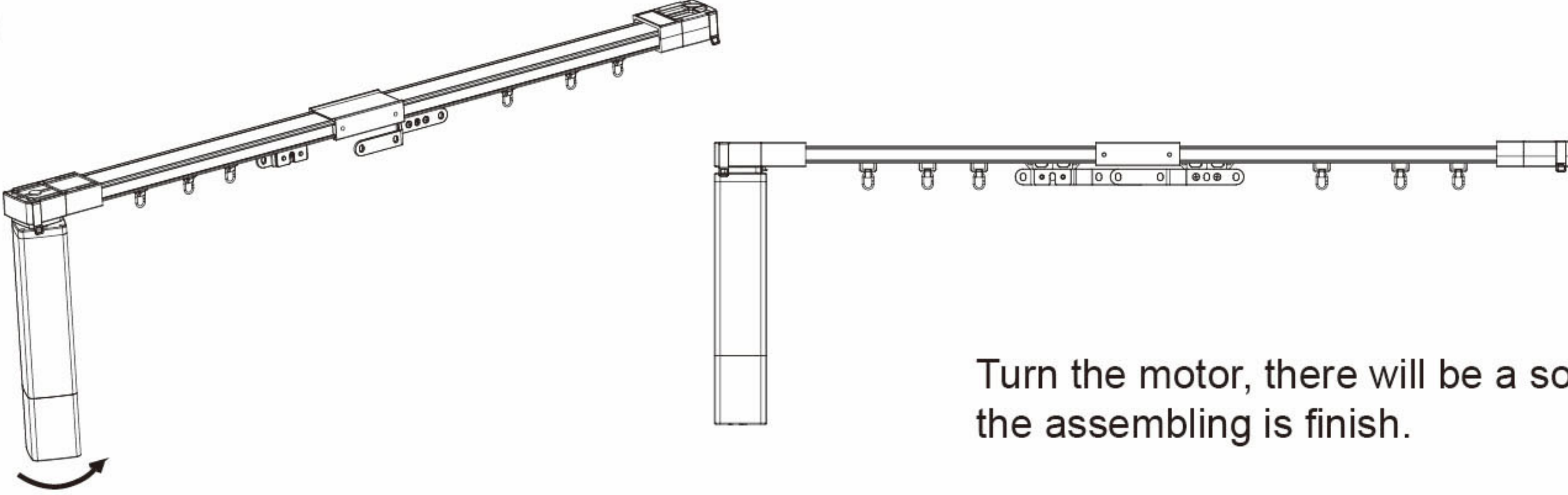
Match the motor with the spigot of the center opening

2



Complete matching

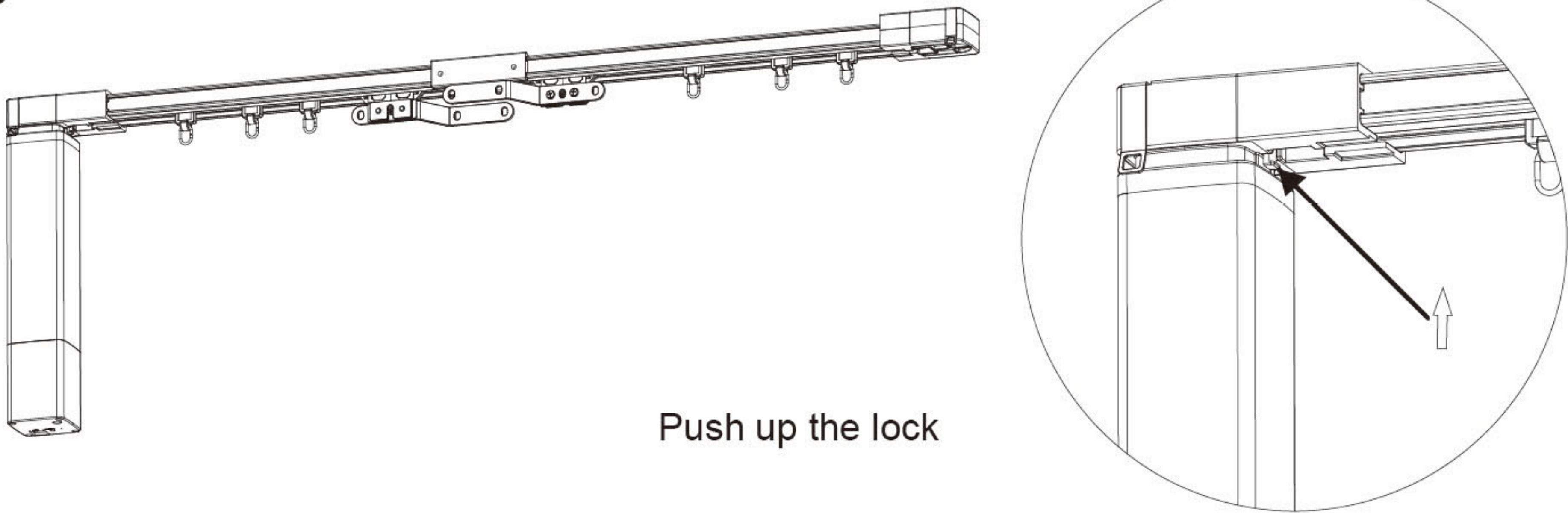
3



Turn the motor, there will be a sound of lock. the assembling is finish.

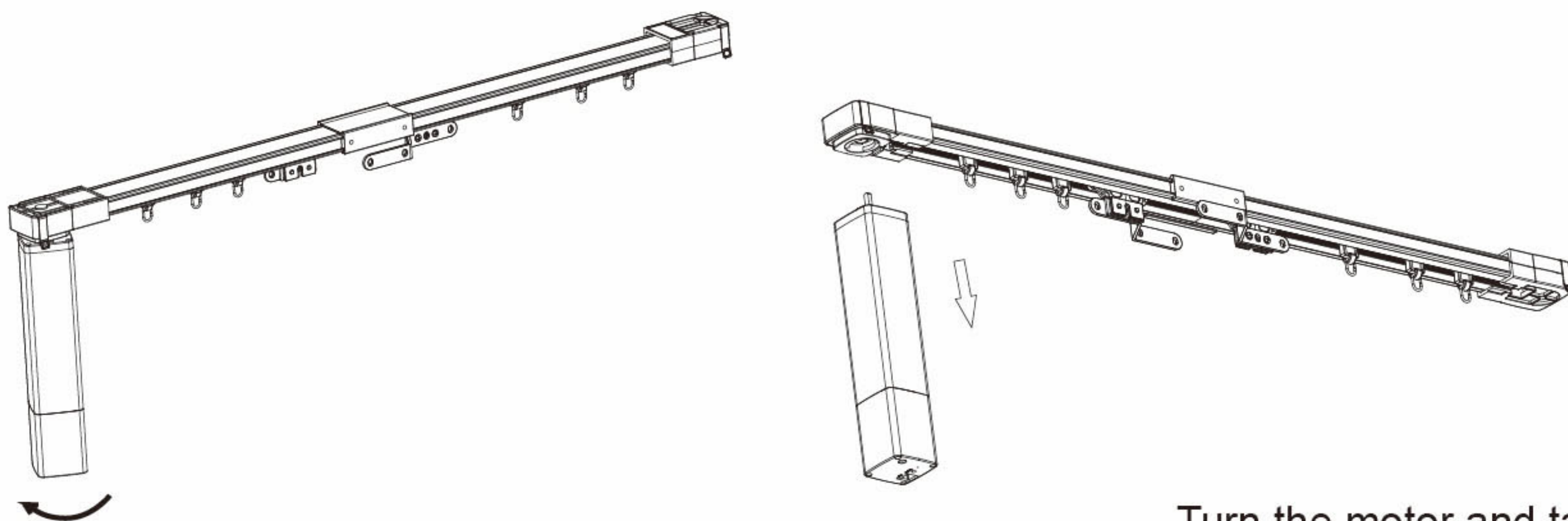
Disassembly of motor

1



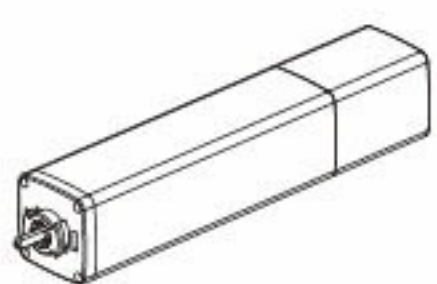
Push up the lock

2

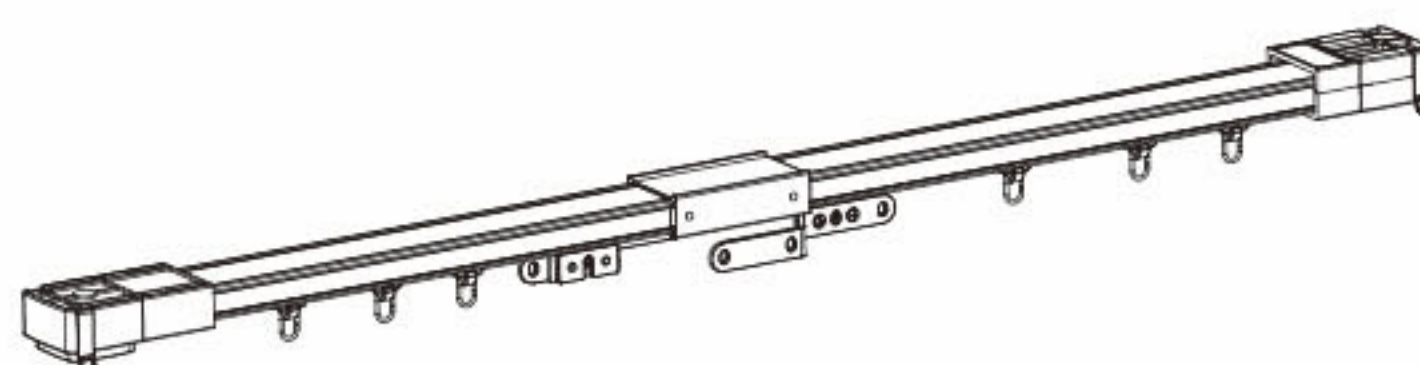


Turn the motor and take it off.

3



Motor



Track

Disassembly is finished.

WARRANTY CARD

Provide warranty depending on this card. please keep it.

*User Profiles

User Name		Gender		Age	
Contact Address					
Contact Number			Post Code		
Purchase Time & Site					
Purchase Price			Sales Order		
Description & Specification			Motor Number		
Distributor signature			User Signature		

*Warranty Clauses:

- Users could replace the same type of commodity under the circumstances of there are performance breakdown but the commodity itself and outer packaging is intact ,without scratches and the period should be in three months from the date of goods are sold.(After inspection ,the breakdown should not due to artificial damage.).
- The warranty of motor is 3 years at the moment it is sold ,and lifelong maintenance.Accessories are not included.
- The warranty is only useful in the condition of normal use.
- All artificial damage ,including disassembly oneself, tear down the seal,improper operation are not included in warranty.
- Please provide this card when do WARRANTY ,our company has the right to refuse user' s warranty service without providing this card or tamper the card.