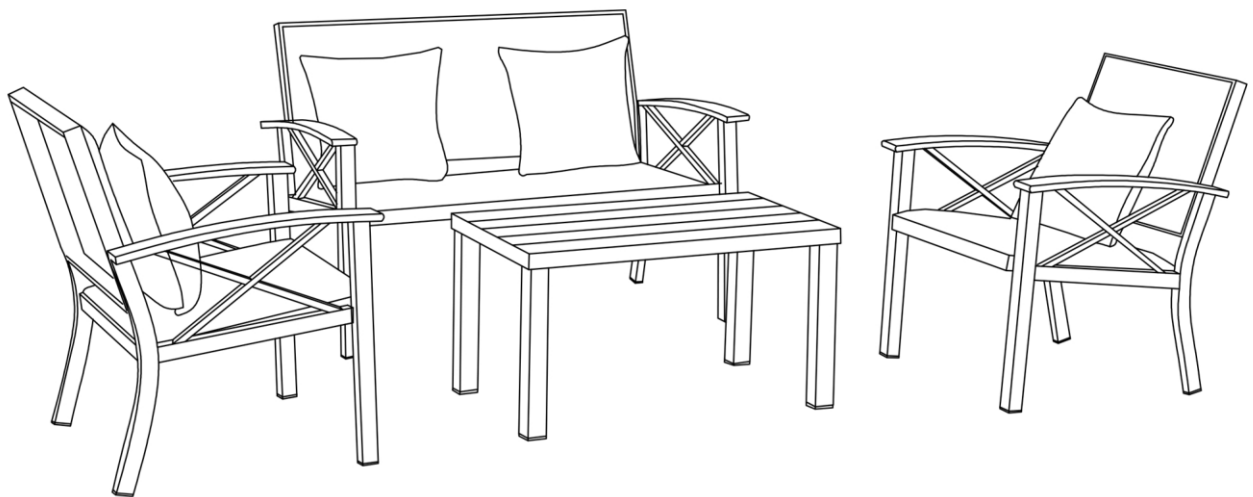


# **Patio Conversation Set**

## **4 pcs**

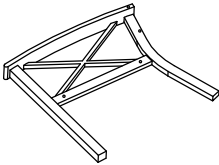
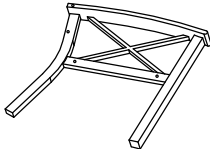
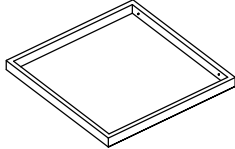
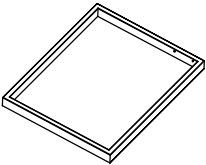
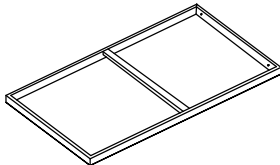
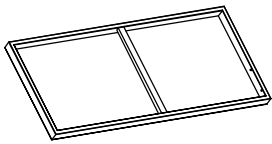
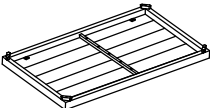


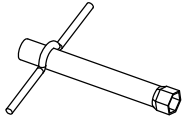




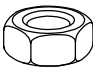

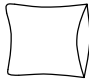
### **ASSEMBLY MANUAL**



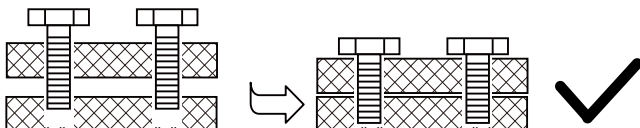


# READ & SAVE BELOW INSTRUCTIONS BEFORE ASSEMBLY

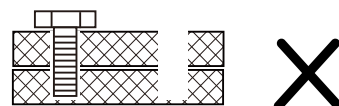
1. PLEASE SEPARATE AND IDENTIFY ALL PARTS, MAKING SURE THAT YOU HAVE ALL OF THE PARTS LISTED.
2. TO AVOID ANY SCRATCH DURING ASSEMBLY, PLEASE ASSEMBLE ON A SOFT MAT OR SIMILAR.
3. PLEASE ASSEMBLE STEP BY STEP AND FOLLOW THE INSTRUCTIONS.
4. WASHERS MUST BE USED.
5. WHILE EACH SCREW AND NUT IS PROPERLY FASTENED, DO NOT OVER FASTEN IT.
6. DO NOT COMPLETELY FASTEN EACH SCREW AND NUT UNTIL ALL THE SCREWS ARE PROPERLY FIXED.

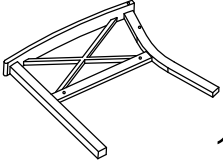
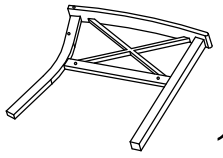
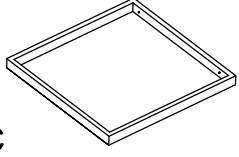


 <b>A 3X</b> Right Arm	 <b>B 3X</b> Left Arm	 <b>C 2X</b> Seat Pad
 <b>D 2X</b> Back Pad	 <b>E 1X</b> Seat Pad	 <b>F 1X</b> Back Pad
 <b>G 1X</b> Tabletop	 <b>H 4X</b> Table Legs	 <b>I 4X</b> Threaded Rods
 <b>J 1X</b> Wrench	 <b>M6X35</b> <b>K 24X</b> Screws	 <b>D6</b> <b>L 24X</b> Washers
 <b>D10</b> <b>M 4X</b> Washers	 <b>N 4X</b> Spring Locker Washers	 <b>O 8X</b> Nuts
 <b>P 1X</b> Hex Wrench	 <b>Q 4X</b> Pillows	

Install all the relevant screws, but do not tighten them completely at the very beginning. Tighten the screws fully one by one.



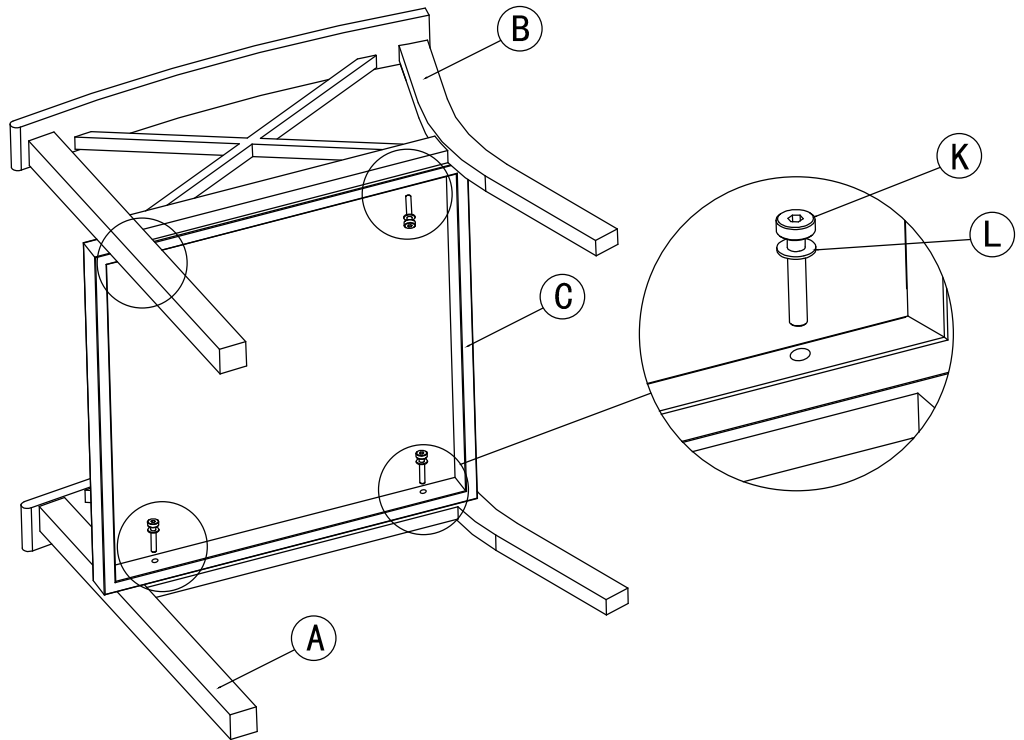
Don't tighten up the screw before you start next mounting during the installation.

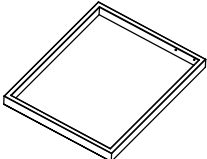




 <p>A 1X</p>
 <p>B 1X</p>
 <p>C 1X</p>
 <p>M6X35 K 4X</p>
 <p>D6 L 4X</p>

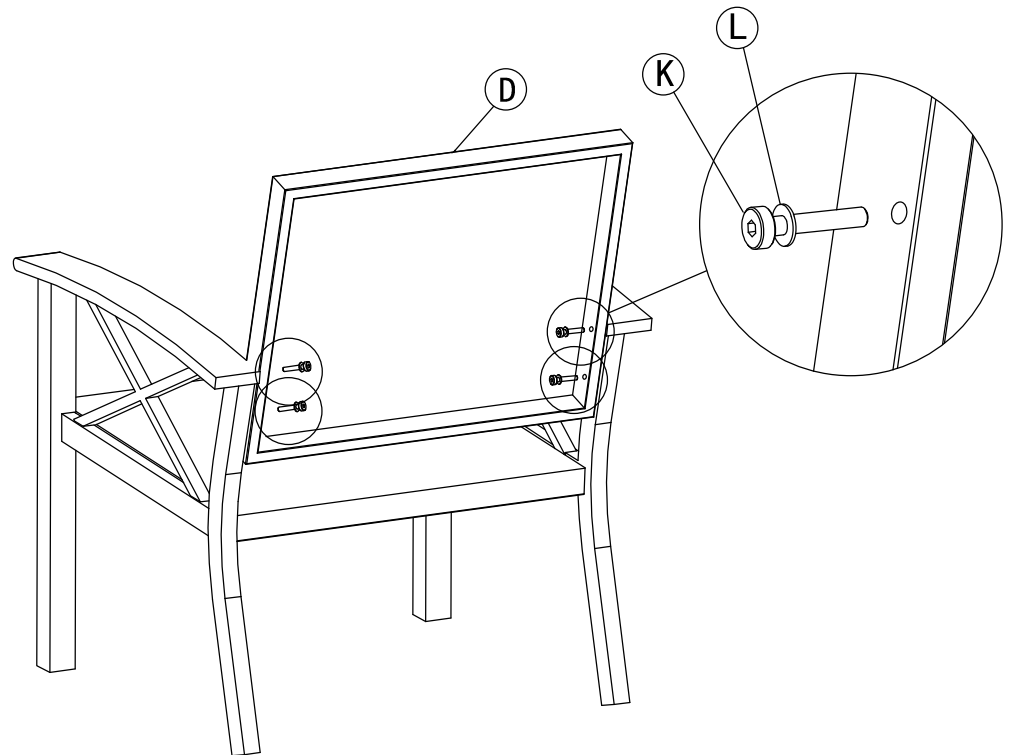
## Step1

Please don't tighten the screws fully  
Before the backrest is assembled.



 <p>D 1X</p>
 <p>M6X35 K 4X</p>
 <p>D6 L 4X</p>

## Step2

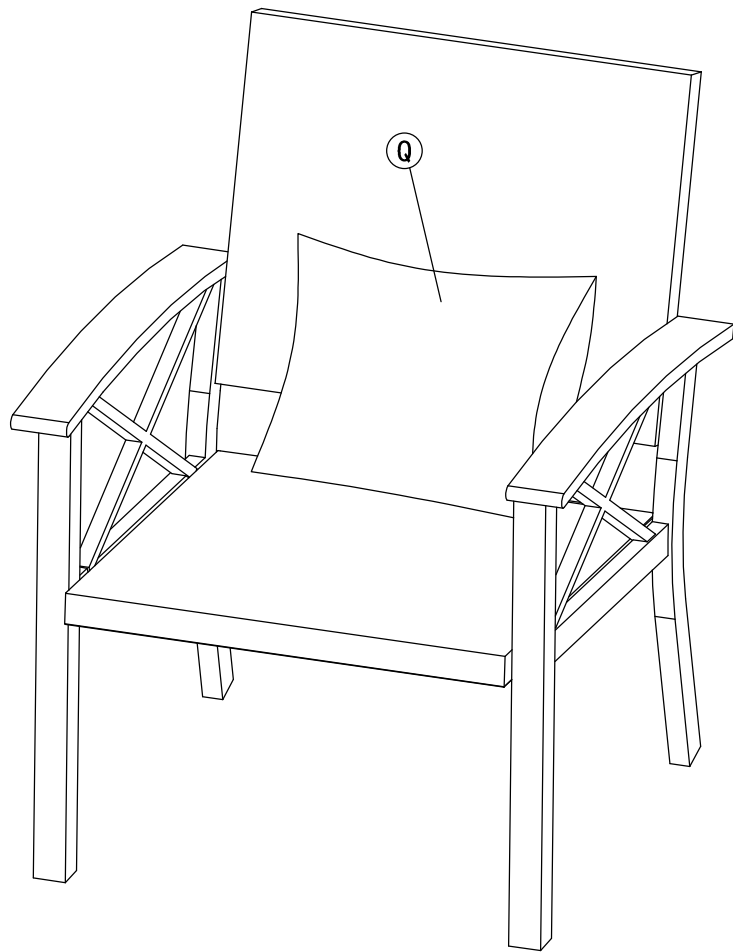


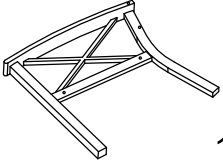
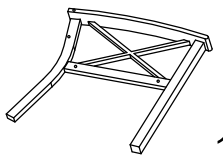
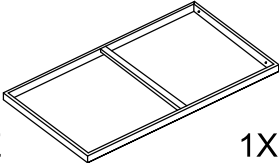




### Step3

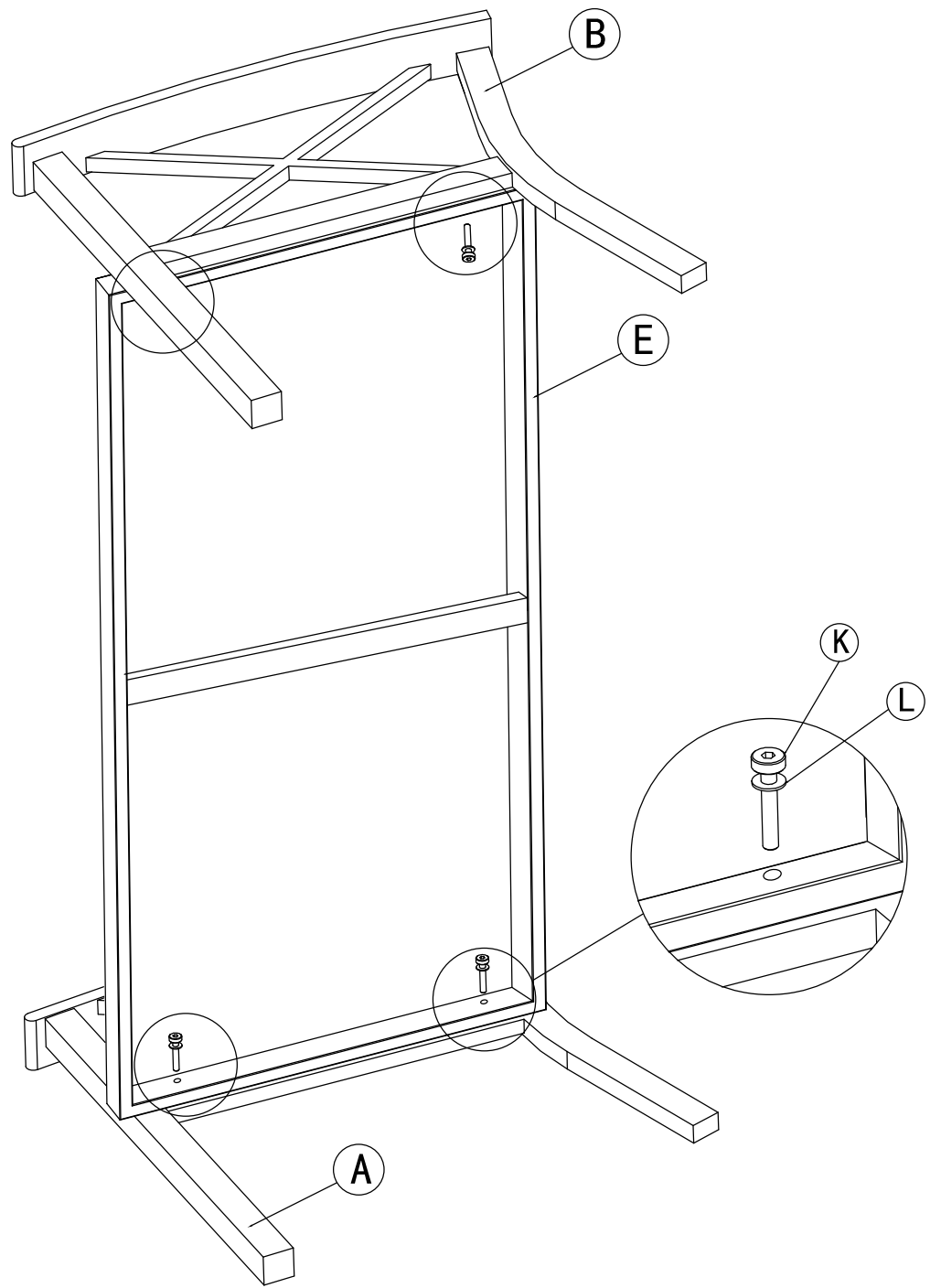
Q

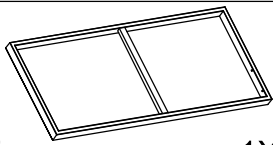
1X



 <p>A 1X</p>
 <p>B 1X</p>
 <p>E 1X</p>
 <p>M6X35 K 4X</p>
 <p>D6 L 4X</p>

**Step4** Please don't tighten the screws fully  
Before the backrest is assembled.





F 1X



M6X35

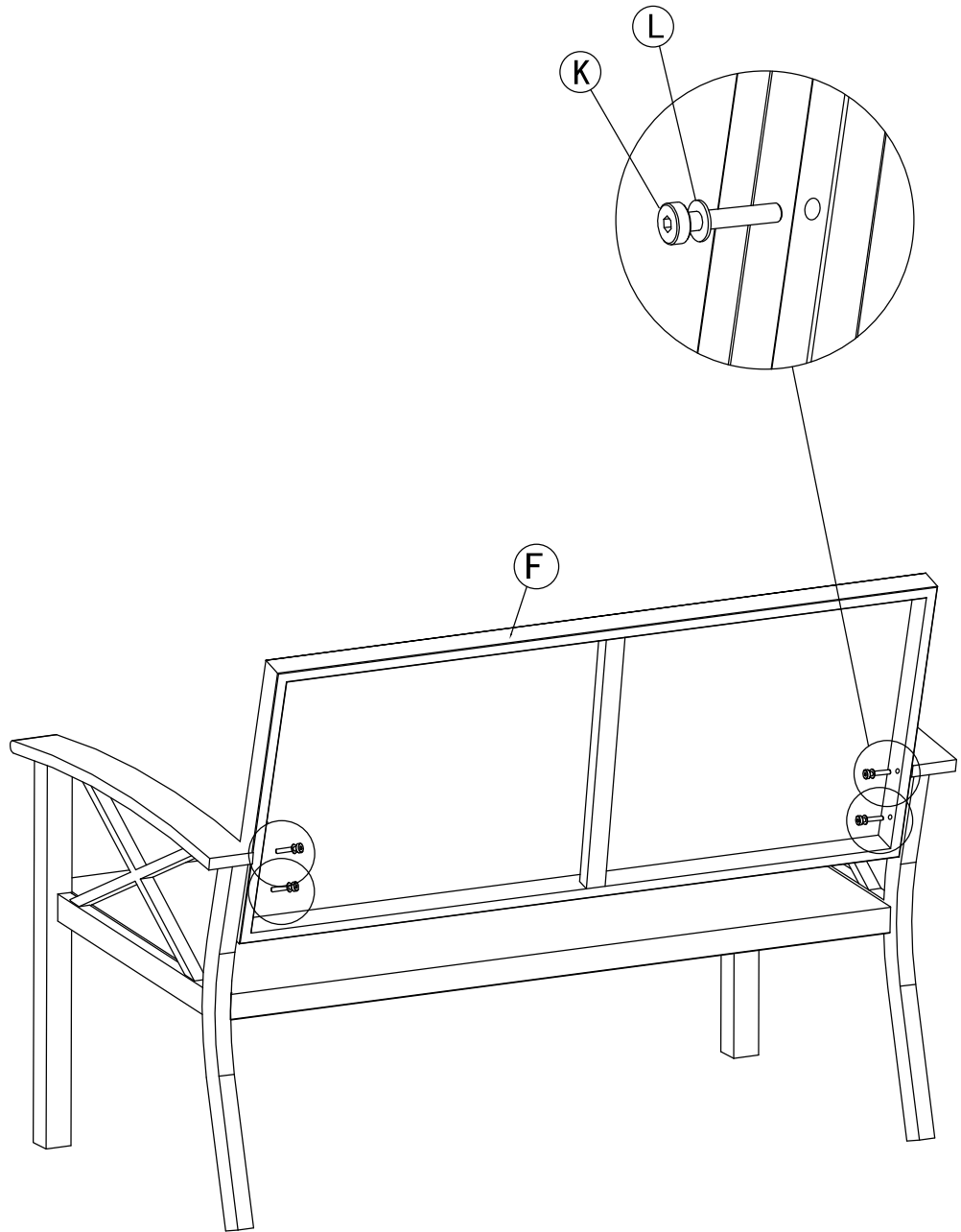
K 4X



D6

L 4X

## Step5

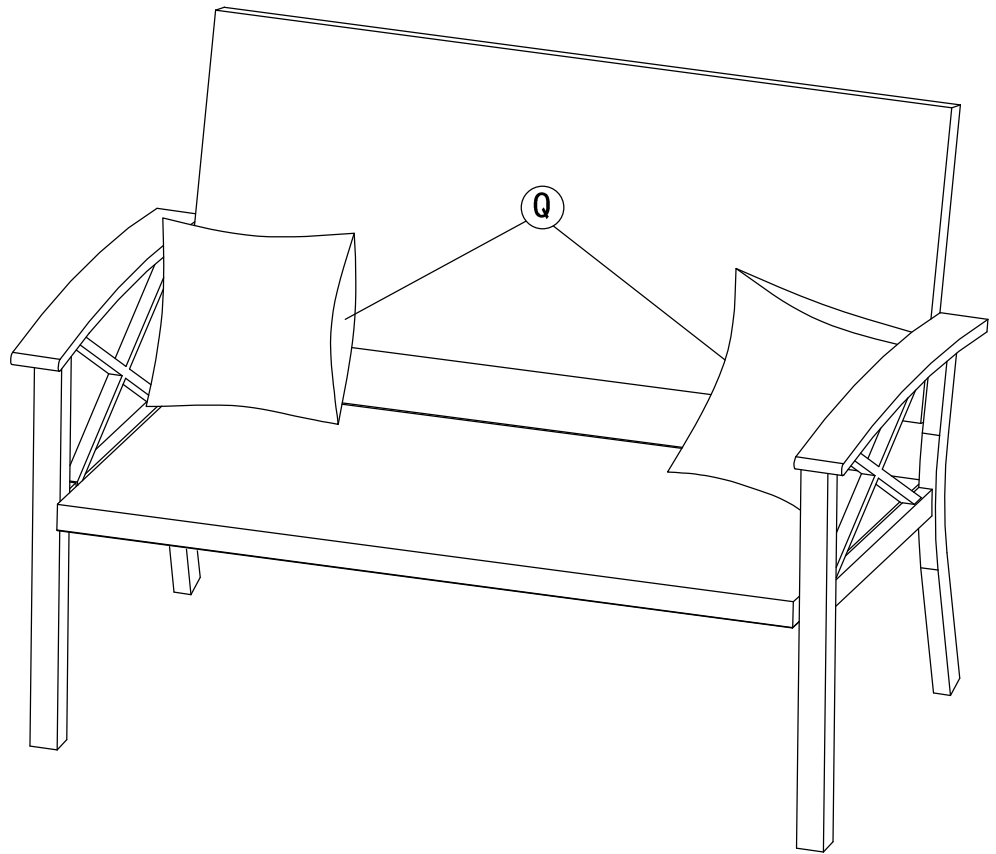


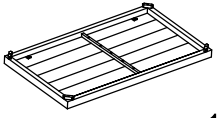


## Step 6

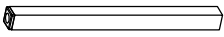
Q

2X





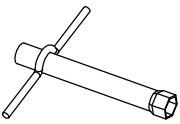
G 1X



H 4X



I 4X

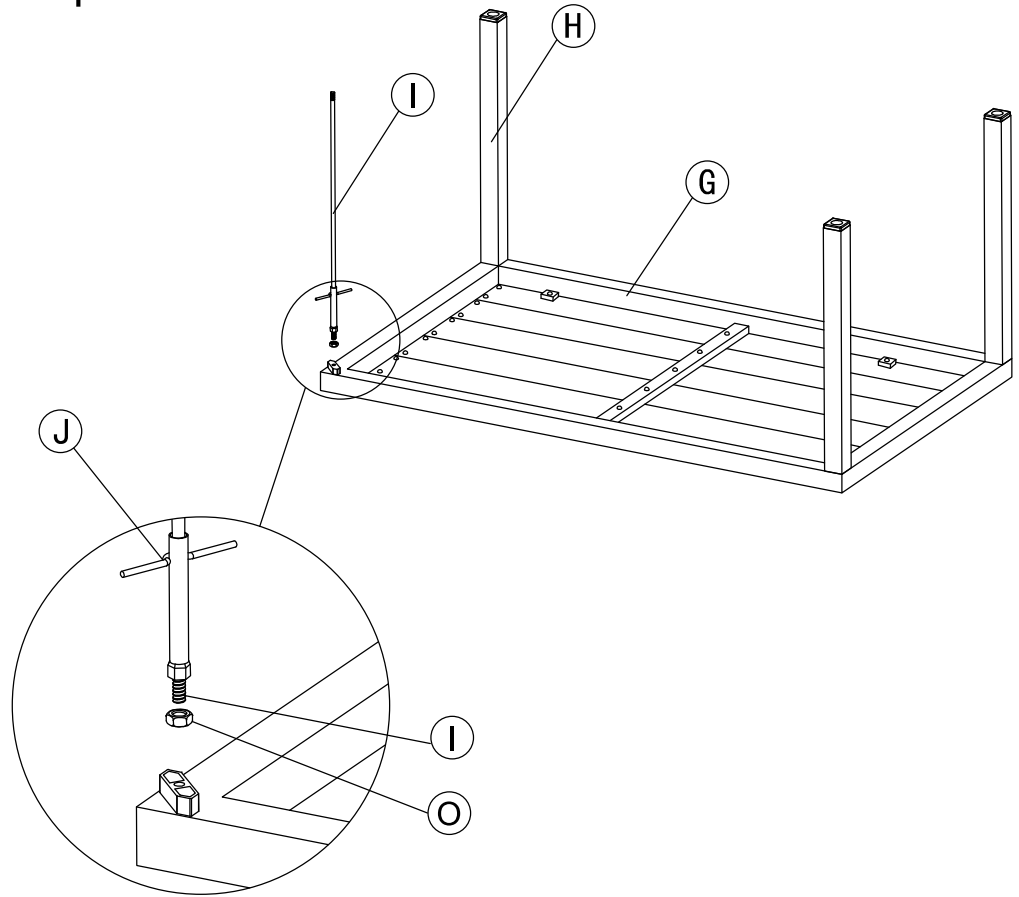


J 1X



O 4X

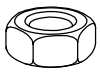
### Step7



M 4X

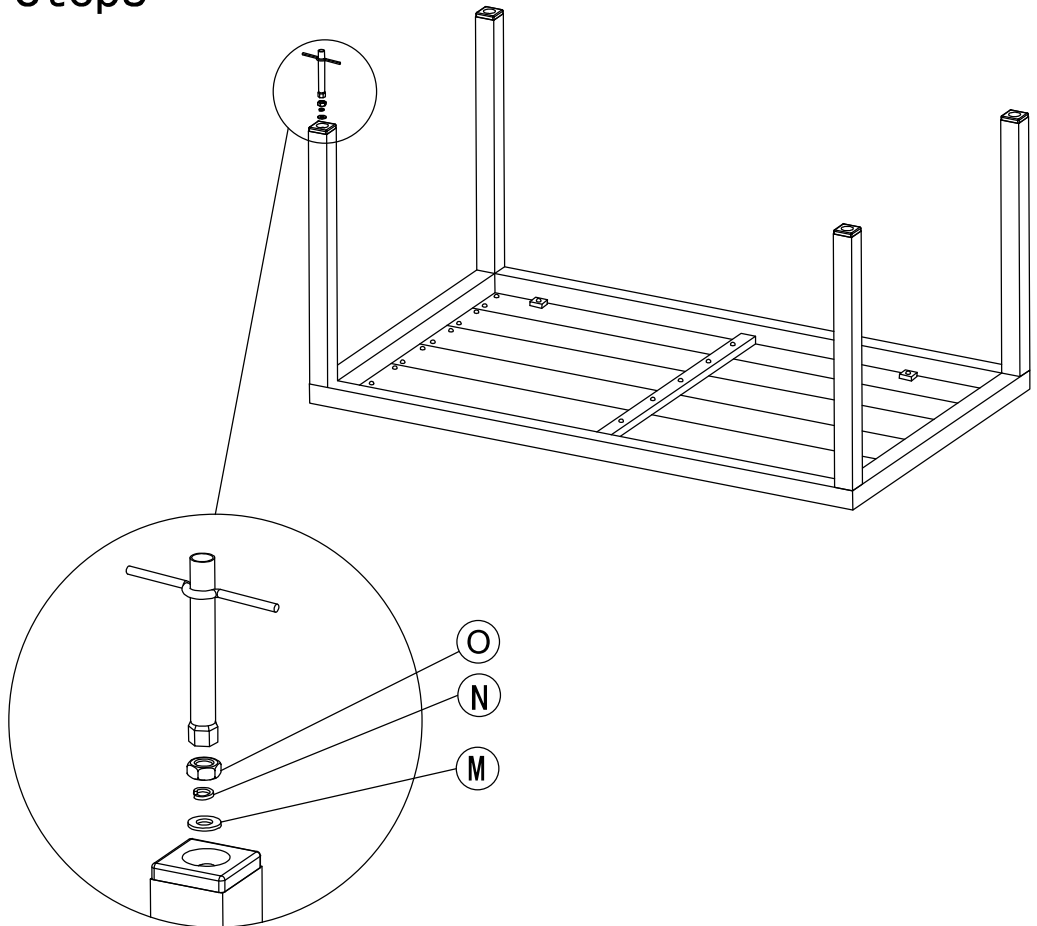


N 4X



O 4X

### Step8



Step9

