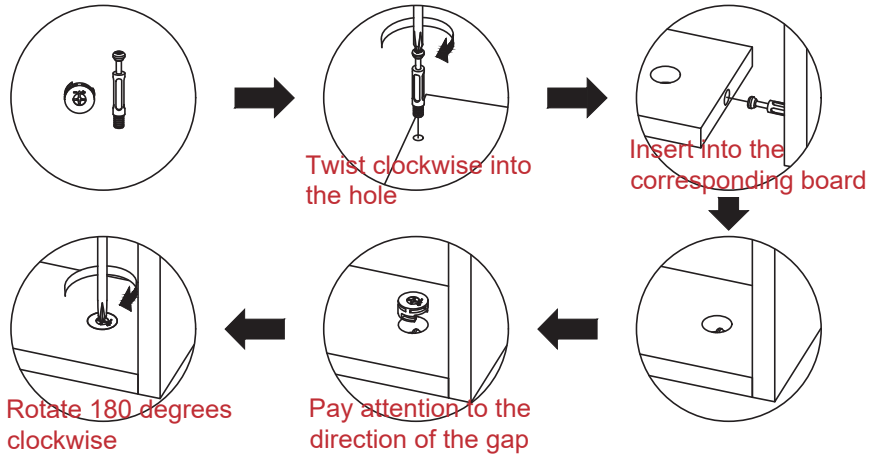
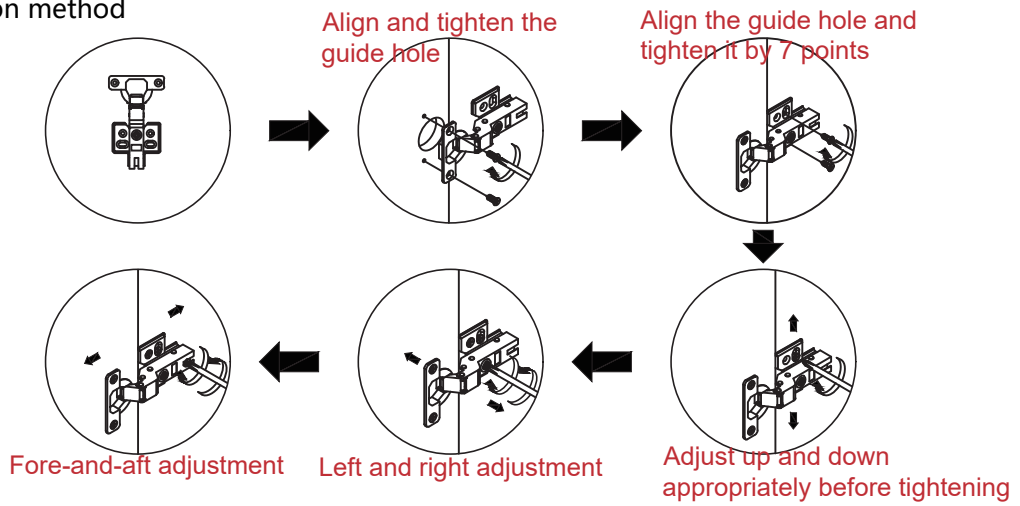


x5

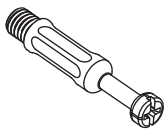
Eccentric installation principle



Hinge installation method



A



x54

B (φ15)



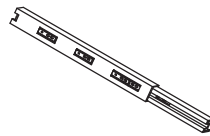
x32

C (φ12)



x22

D



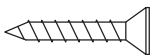
x5

E (φ3.5x12)



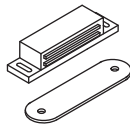
x64

F (φ3x30)



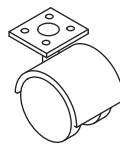
x22

G



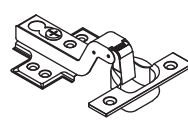
x1

H



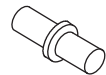
x4

I



x2

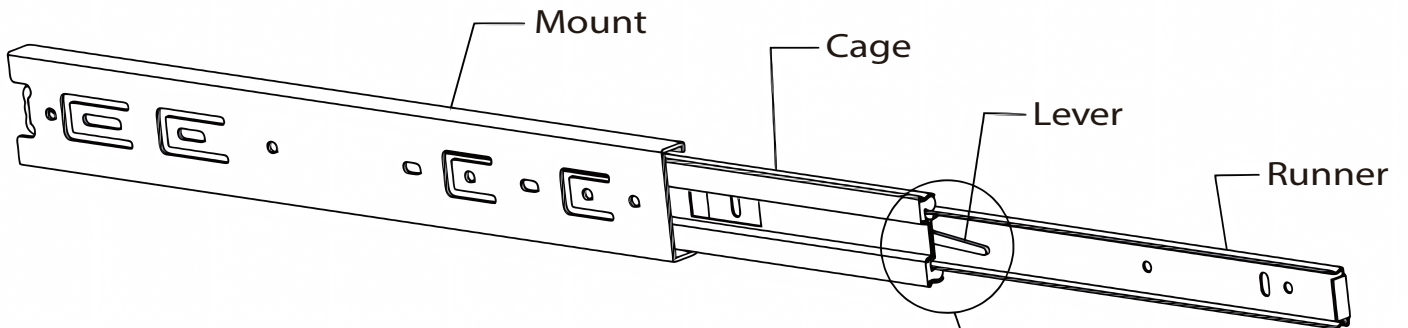
K



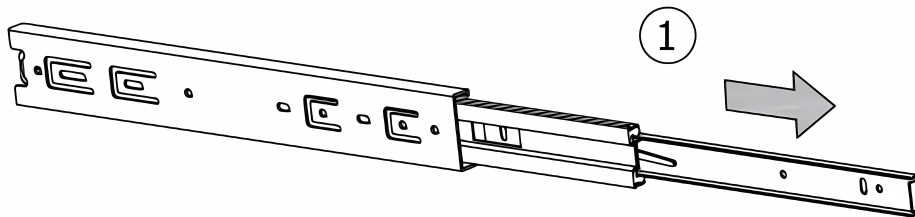
x4

Warm Reminder

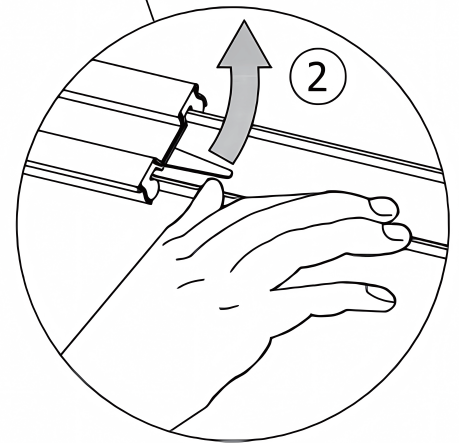
Before installing the drawer rail, you need to separate the Part-1 and Part-2 first.



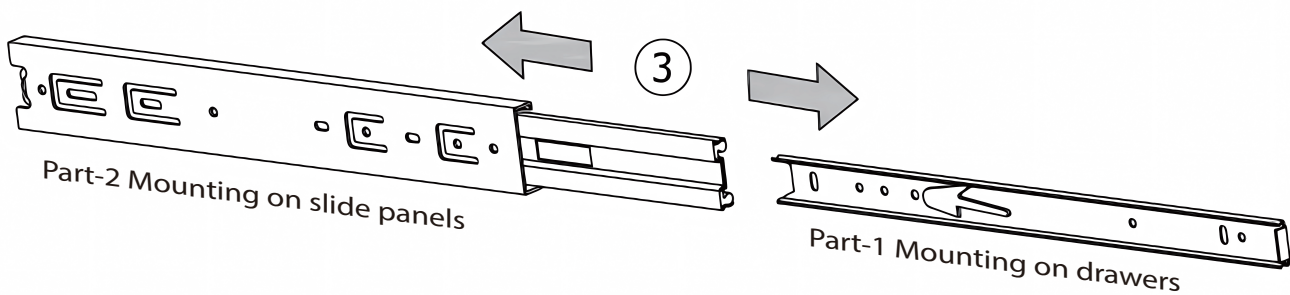
STEP 1:Extend Slider



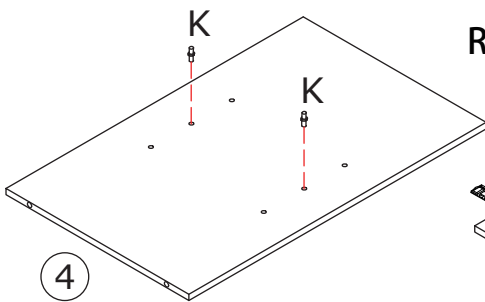
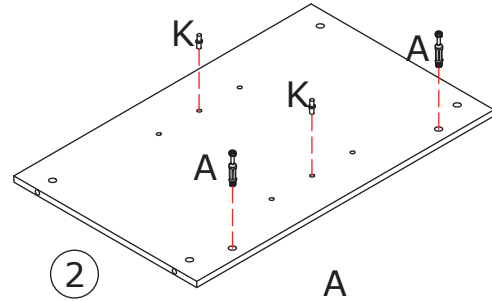
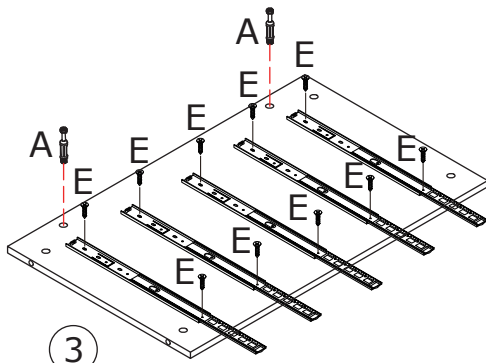
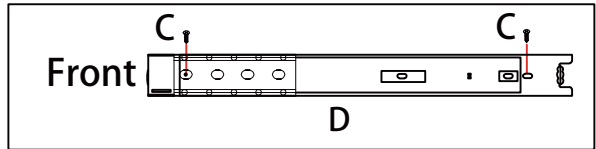
STEP 2:Push Lever Up



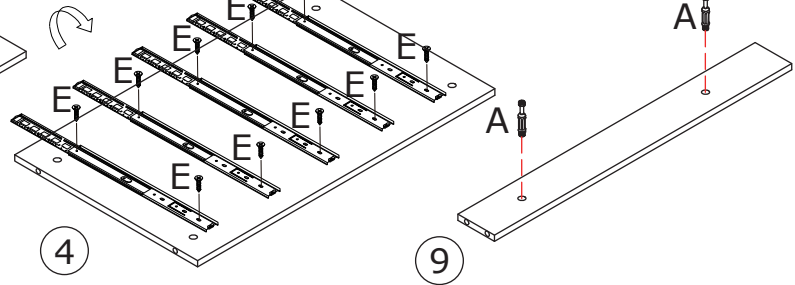
STEP 3:Remove Runner



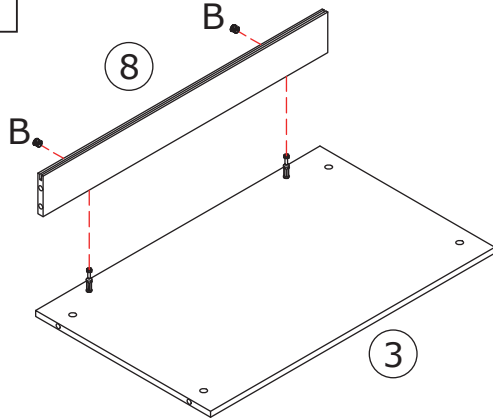
1



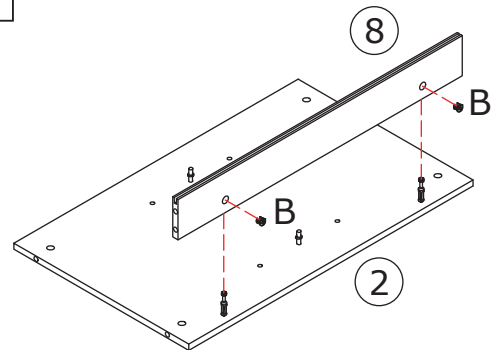
Rotate 180°



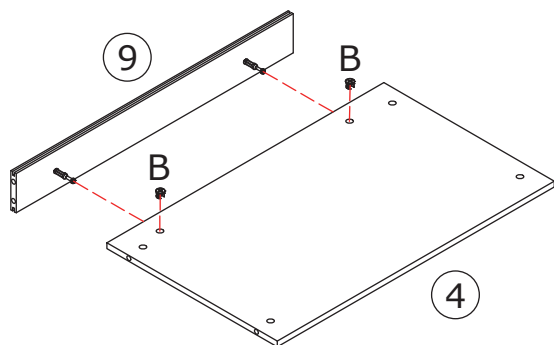
2



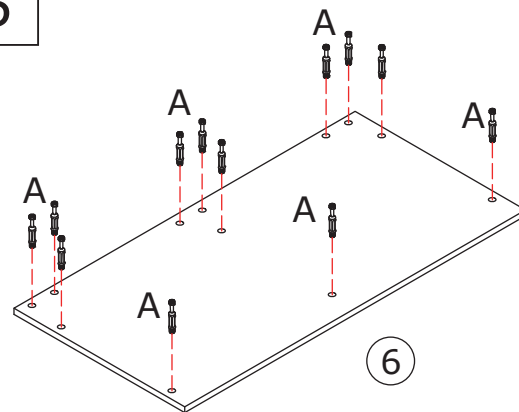
3



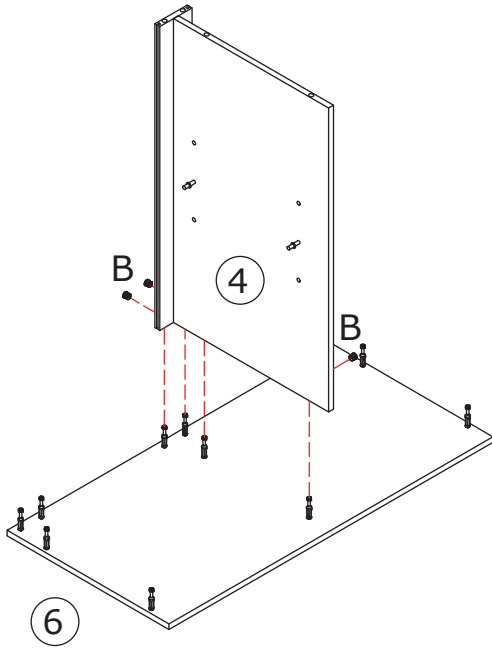
4



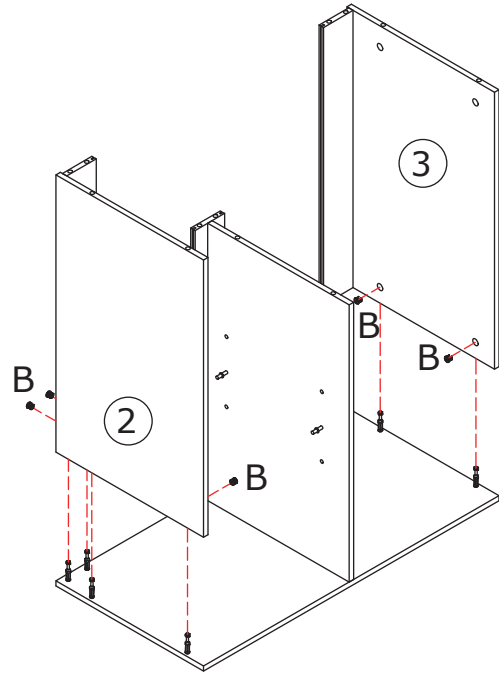
5



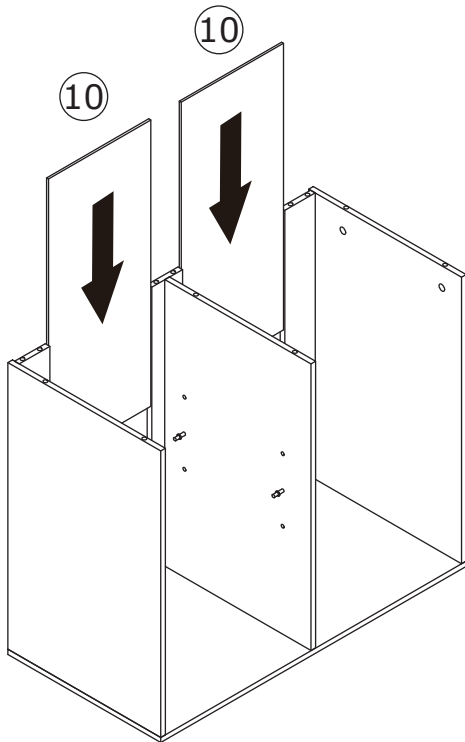
6



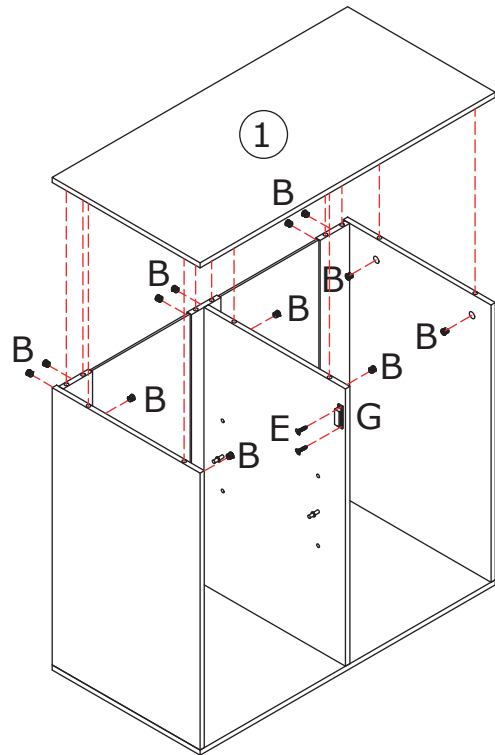
7



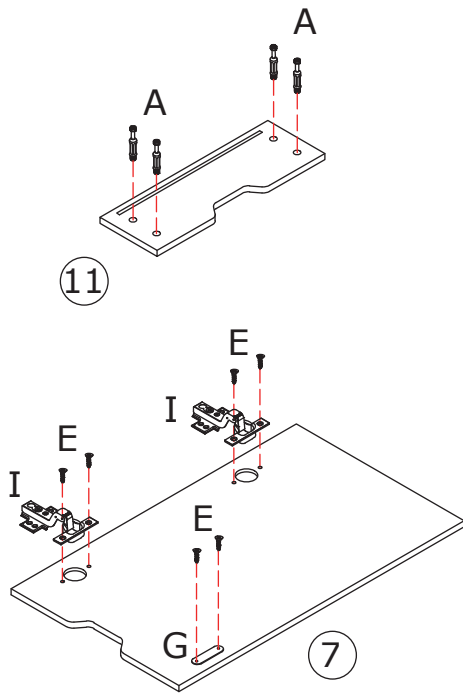
8



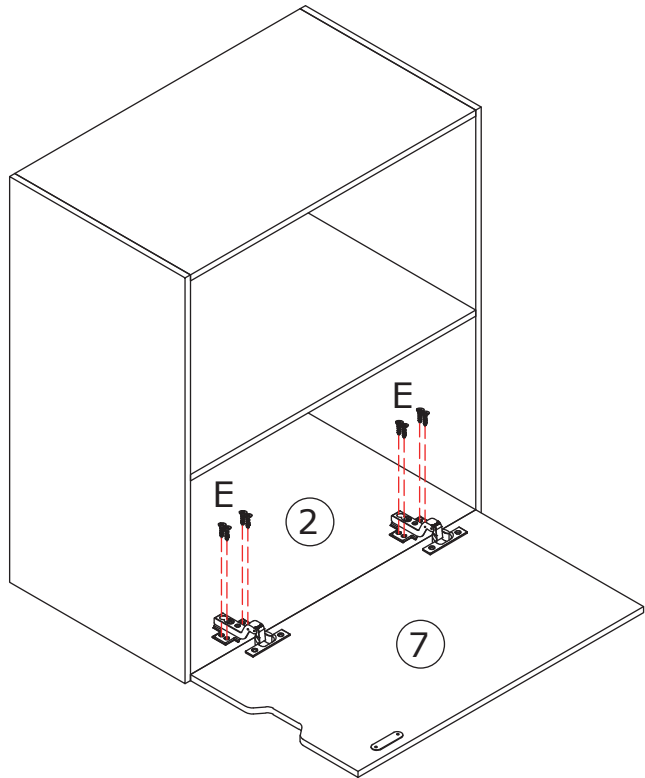
9



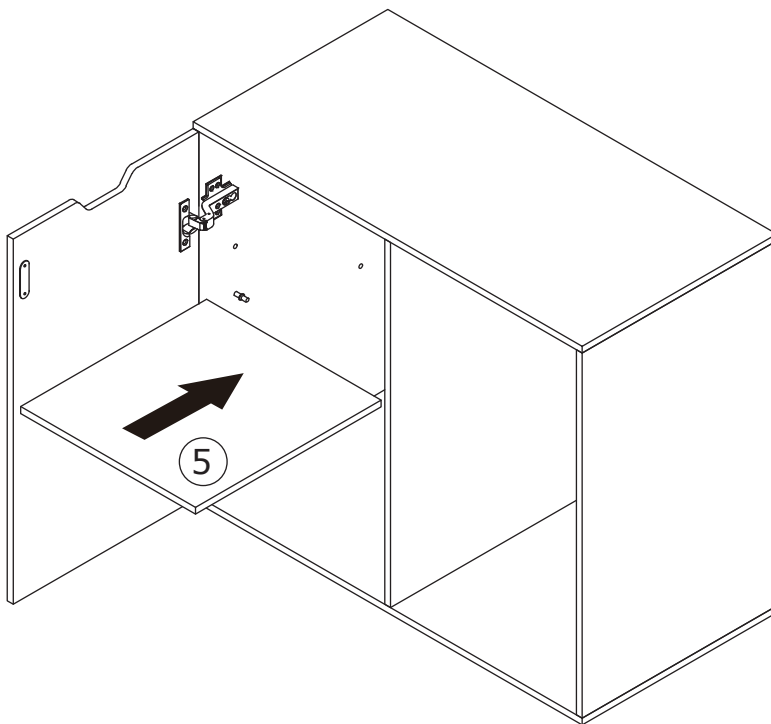
10



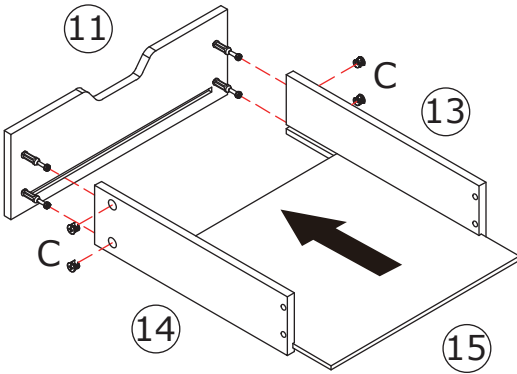
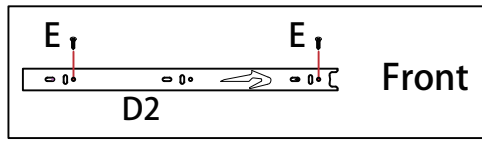
11



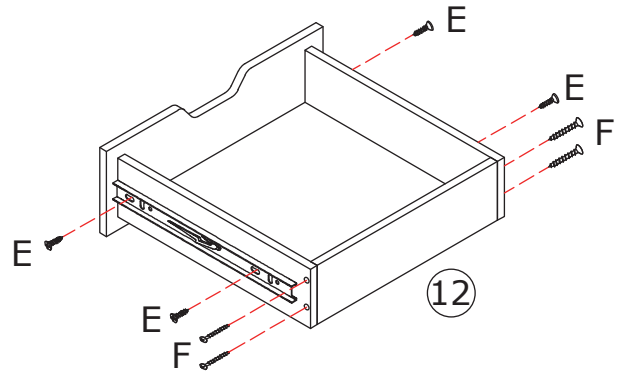
12



13



x5



x5

14

