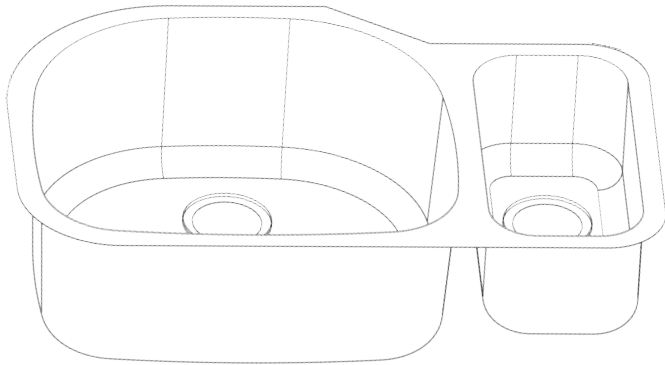




Specifications

Model Number	Depth-Inches	Drain Placement
KSN-3321	9" 7"	Back



SINK DESCRIPTION

- 1800 Series double bowl under-mount sink
- 18 gauge stainless steel, Brushed finish
- Back drain location
- Mounting brackets included, other standard mounting hardware and silicone sealant not system

CUT OUT DIMENSIONS

- Template included - template number KSN-3321

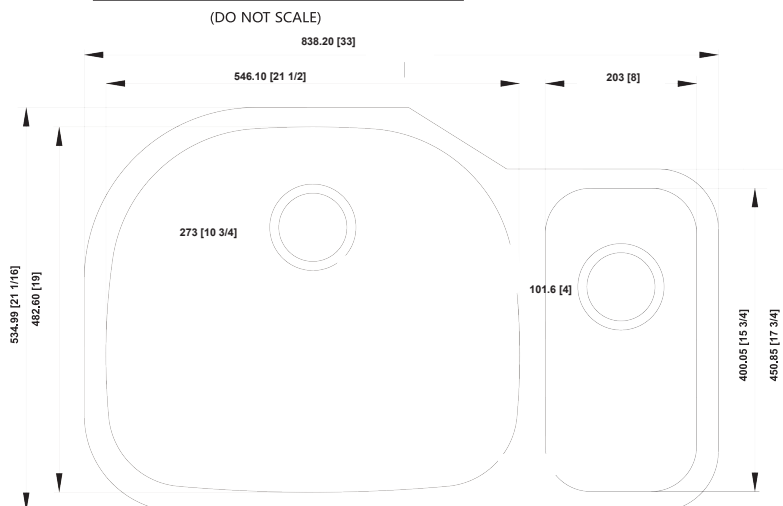
STANDARDS

- Third party certified by IAPMO to meet ASME A112.19.3 and all applicable specifications referenced therein

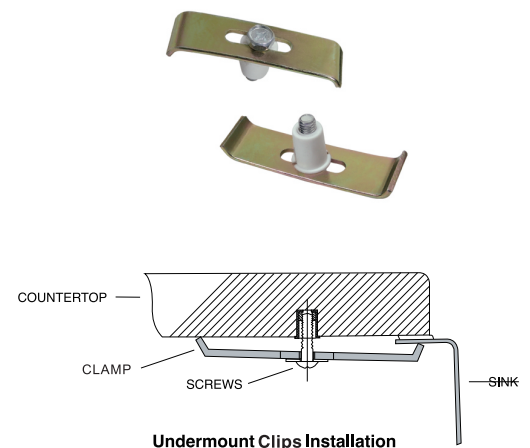
WARRANTY

- Limited lifetime warranty against material or manufacturing defects to the original consumer purchaser

CRITICAL DIMENSIONS



Installation Detail



FOR MORE INFORMATION CALL:
1-888-MY-ALLORA
www.allorausa.com