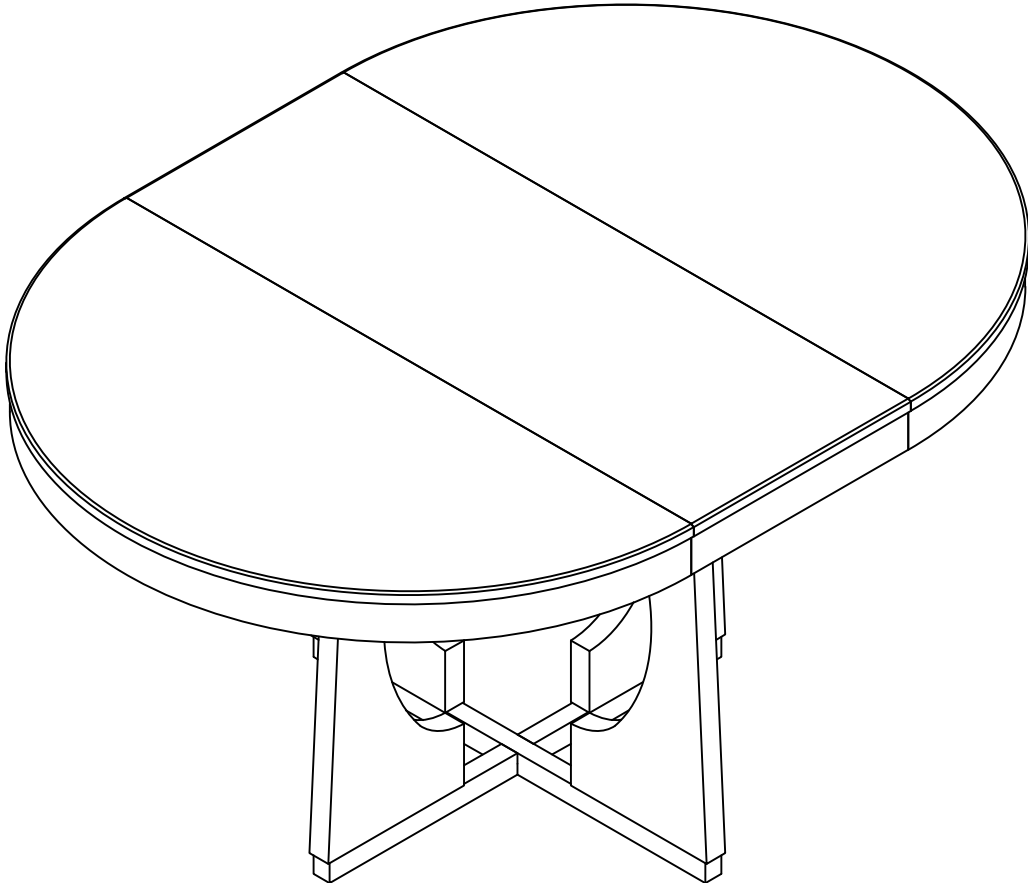


ASSEMBLY INSTRUCTION

Dining Table



ASSEMBLY INSTRUCTION

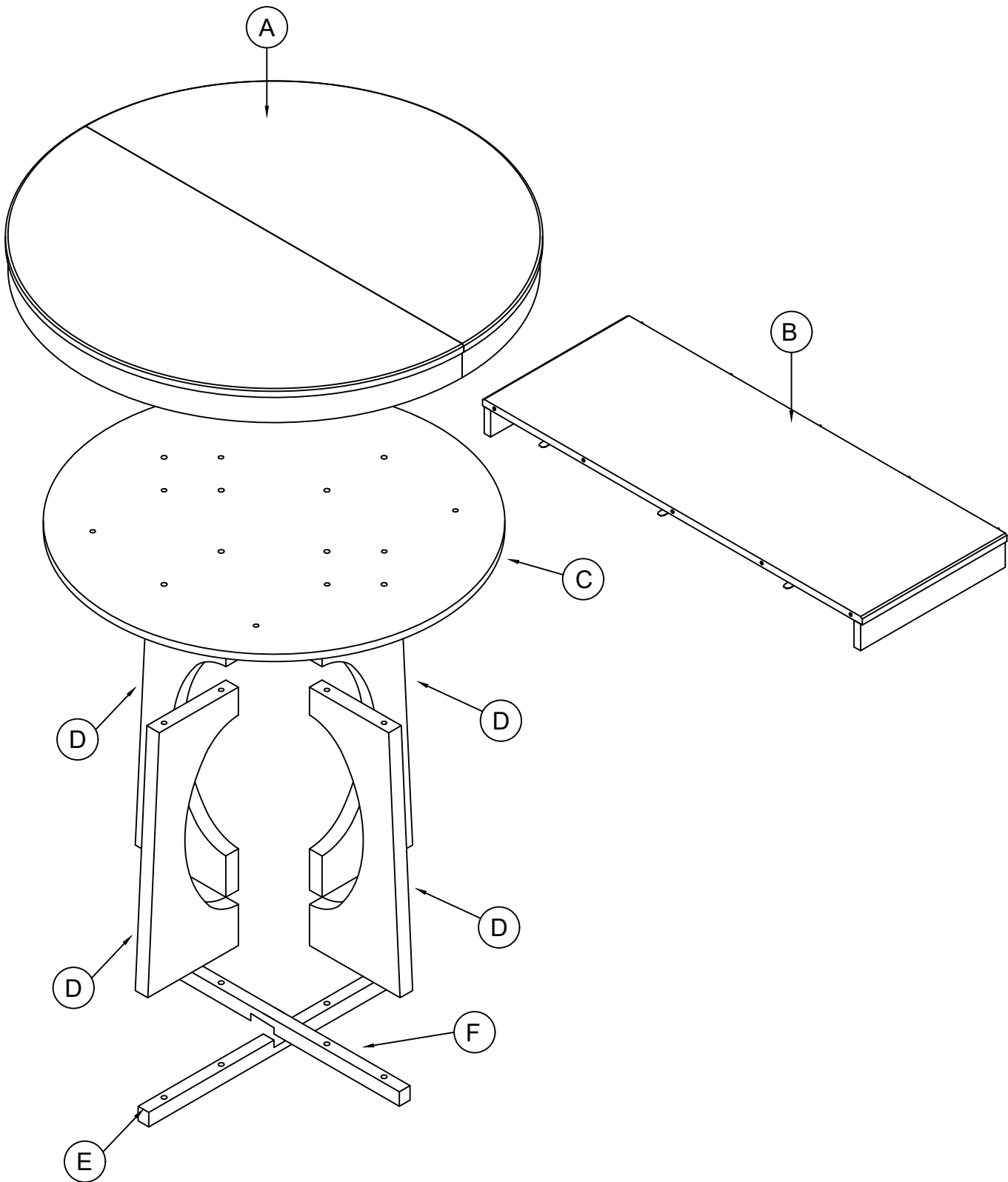
Please read these instructions fully before starting assembly:

1. Place all wooden parts on a clean and smooth surface such as a rug or carpet to avoid scratching the parts.
2. Kindly follow the assembly instructions step by step.
3. Do not tighten all screws and bolts until the table is fully assembled.
4. Unscrew the protective plastique supports from the metal insert of the table legs before assembly.
5. Parts of the assembly will be easier with 2 people.

Care and maintenance:

Only clean using a damp cloth and mild detergent, do not use bleach or abrasive cleaners

ASSEMBLY INSTRUCTION



ASSEMBLY INSTRUCTION

Part List

(A)

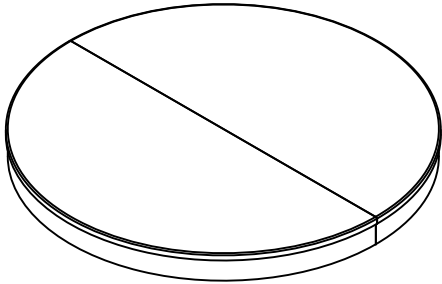


TABLE TOP (1pc)

(B)

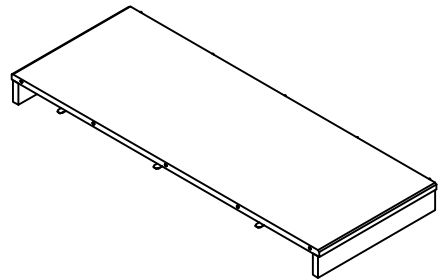
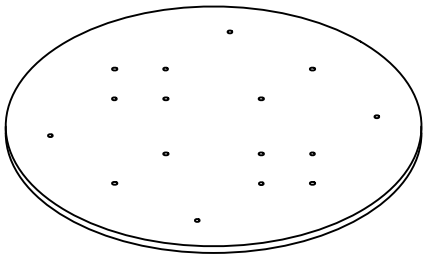


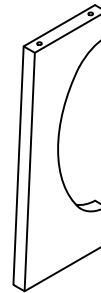
TABLE LEAF (1pc)

(C)



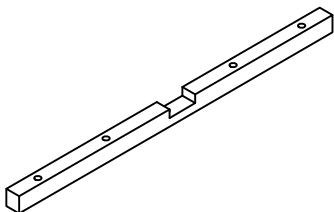
CONNECT PANEL(1pc)

(D)



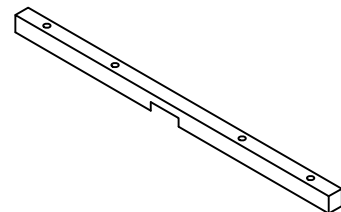
POST (4pcs)

(E)



BOTTOM FRAME BELOW (1pc)

(F)

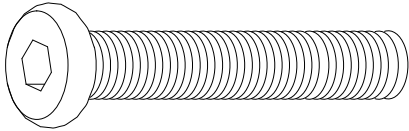


BOTTOM FRAME TOP(1pc)

ASSEMBLY INSTRUCTION

Hardware List

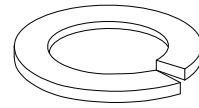
1



Ø5/16"*L38mm

BOLT (24pcs)

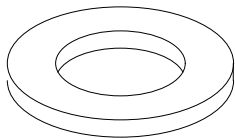
2



Ø5/16"*13mm

LOCK WASHER (24pcs)

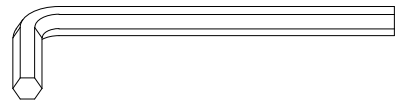
3



Ø5/16"*19mm

FLAT WASHER (24pcs)

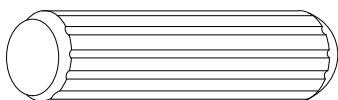
4



5mm

ALLEN KEY (1pc)

5

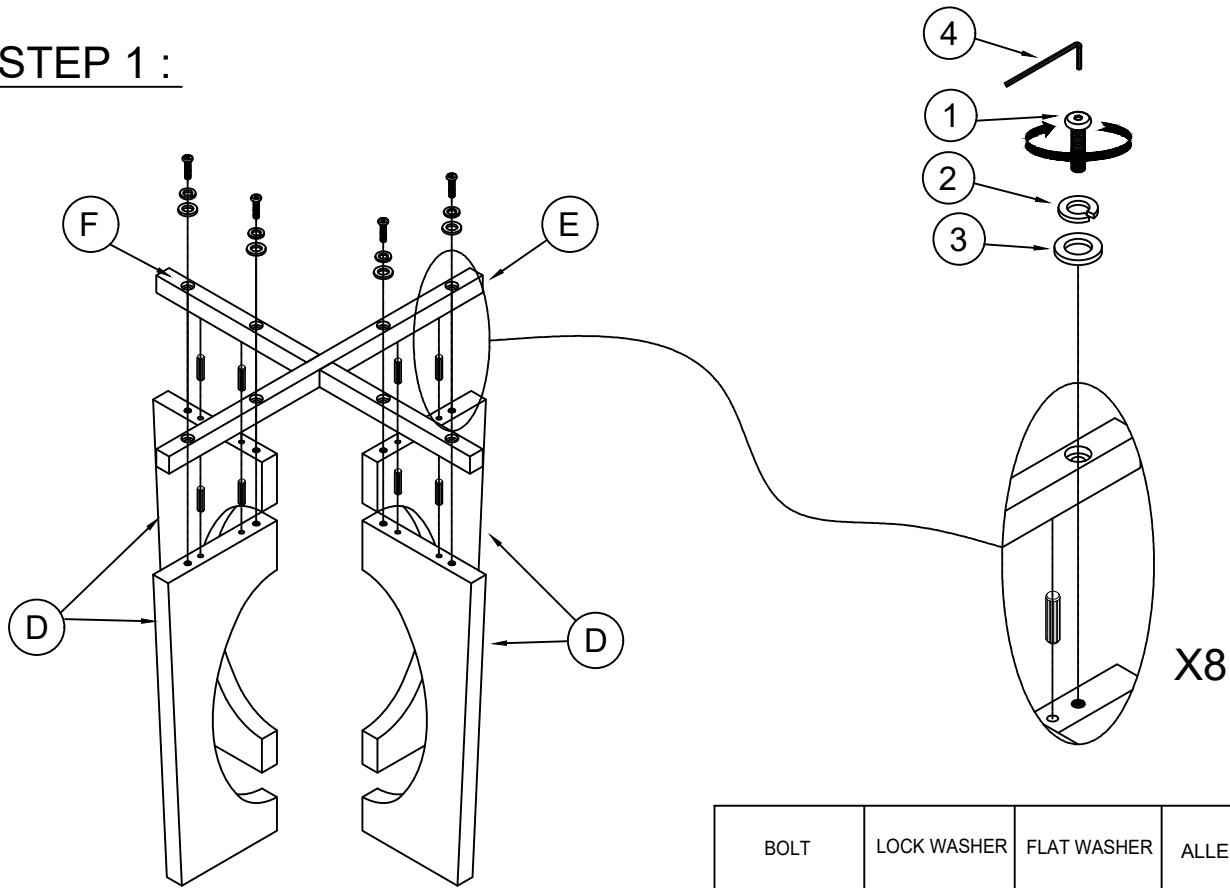


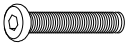




Ø8*30mm

WOOD DOWEL (8pcs)

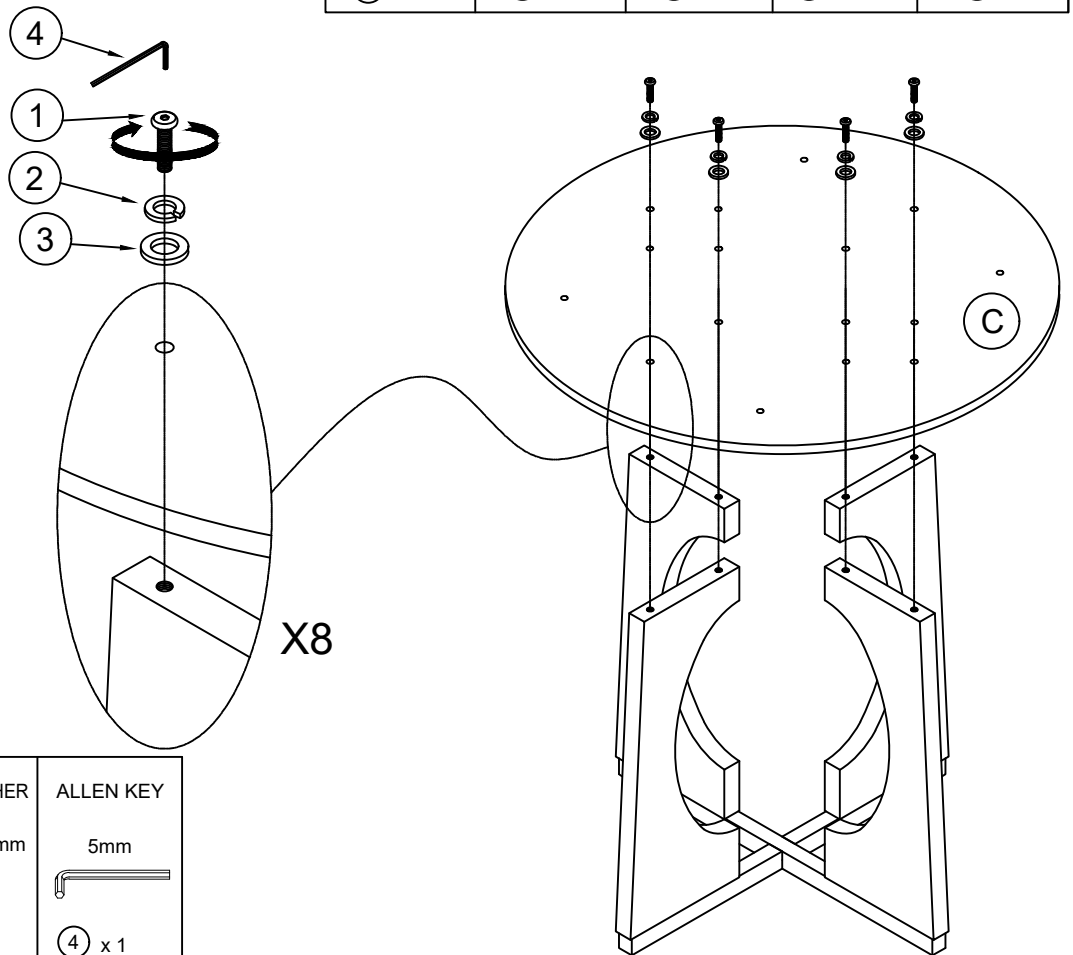
ASSEMBLY INSTRUCTION





STEP 1 :



BOLT	LOCK WASHER	FLAT WASHER	ALLEN KEY	WOOD DOWEL
Ø5/16**38mm	Ø5/16**13mm	Ø5/16**19mm	5mm	Ø8*30mm
				
① x 8	② x 8	③ x 8	④ x 1	⑤ x 8

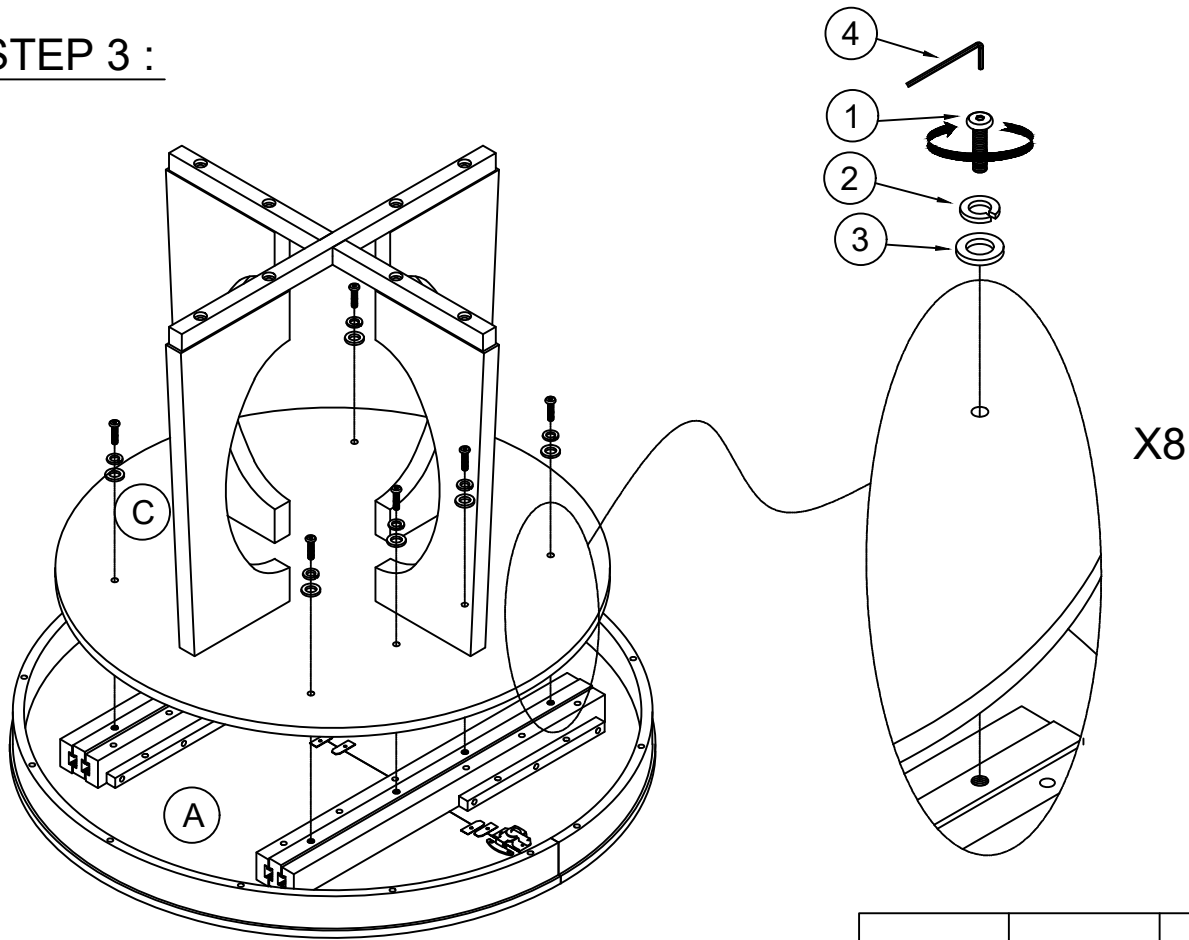
STEP 2 :



BOLT	LOCK WASHER	FLAT WASHER	ALLEN KEY
Ø5/16**38mm	Ø5/16**13mm	Ø5/16**19mm	5mm
			
① x 8	② x 8	③ x 8	④ x 1





ASSEMBLY INSTRUCTION

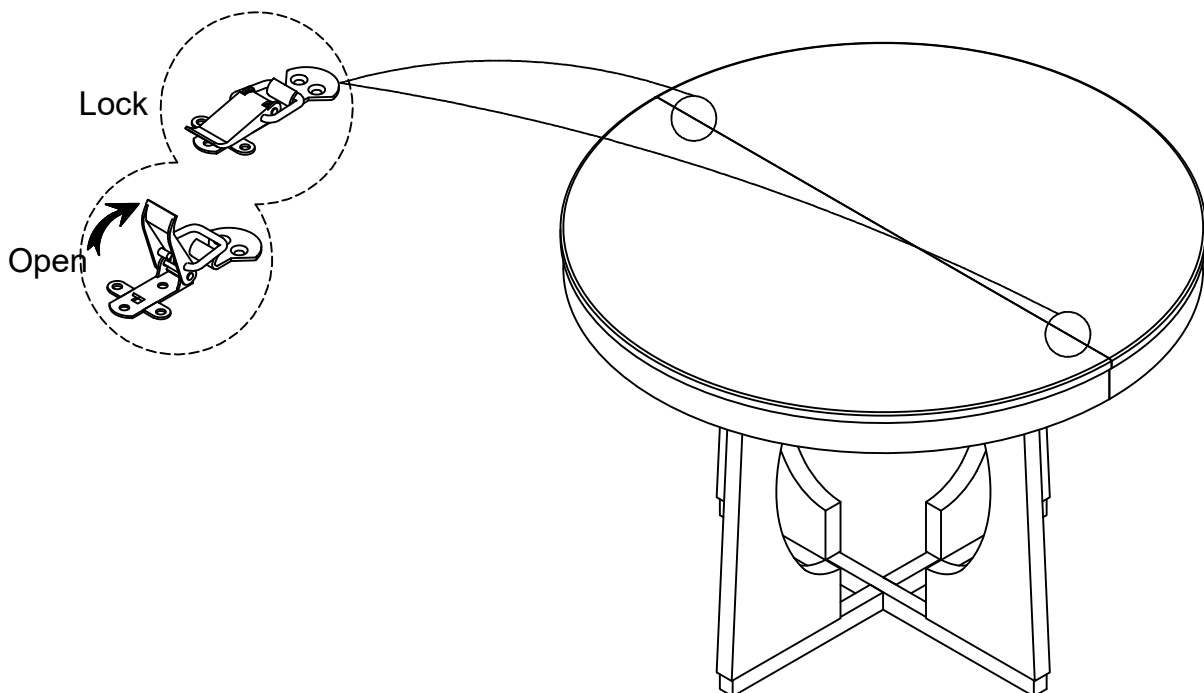
STEP 3:



STEP 4:

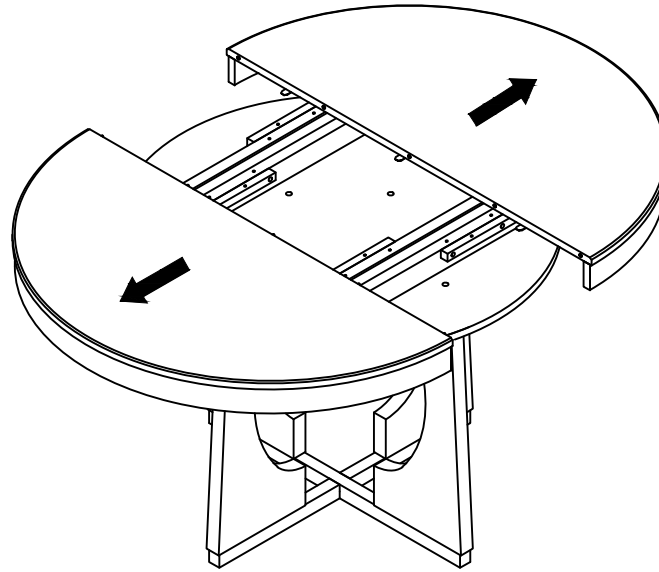
Lock / Verrouillage

BOLT	LOCK WASHER	FLAT WASHER	ALLEN KEY
Ø5/16**38mm	Ø5/16**13mm	Ø5/16**19mm	5mm
			
① x 8	② x 8	③ x 8	④ x 1

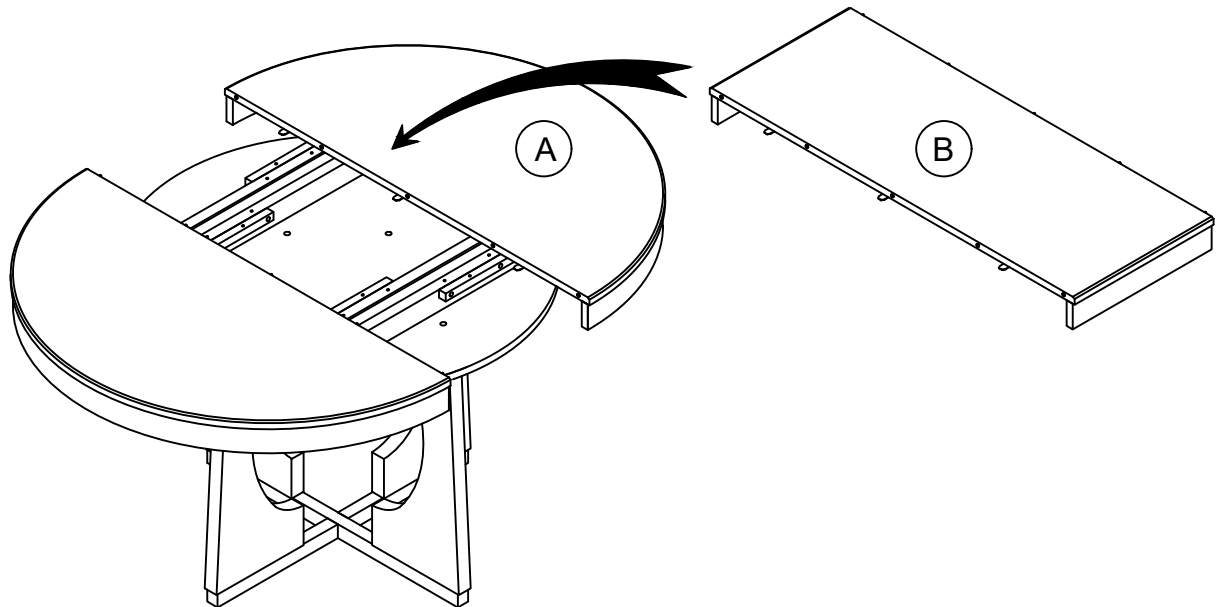


ASSEMBLY INSTRUCTION

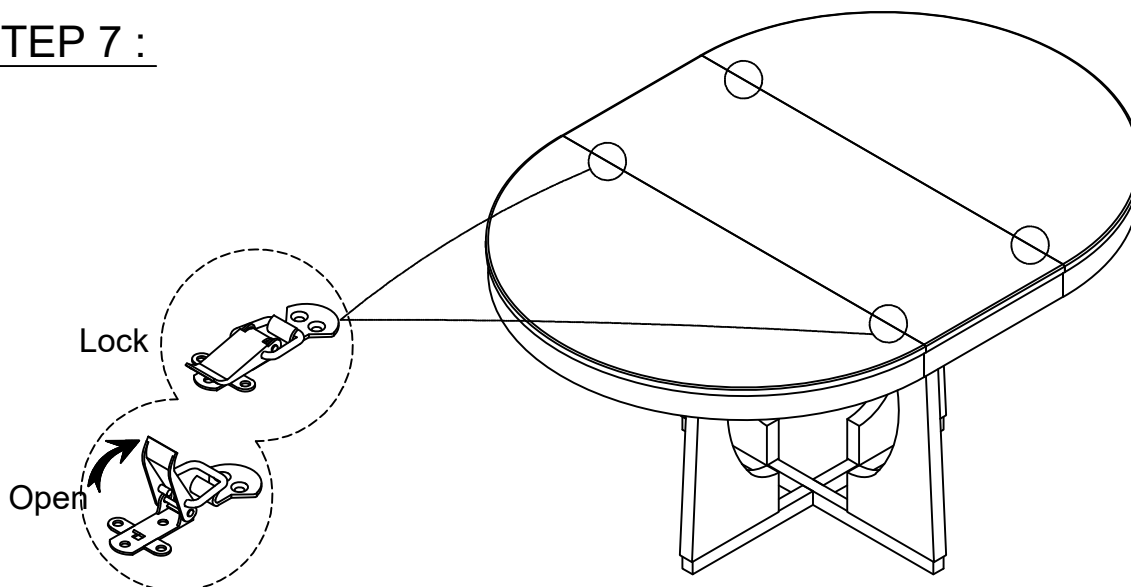
STEP 5:



STEP 6:



STEP 7:



ASSEMBLY INSTRUCTION

COMPLETE

