

EN_IMPORTANT, RETAIN FOR FUTURE REFERENCE: READ CAREFULLY.

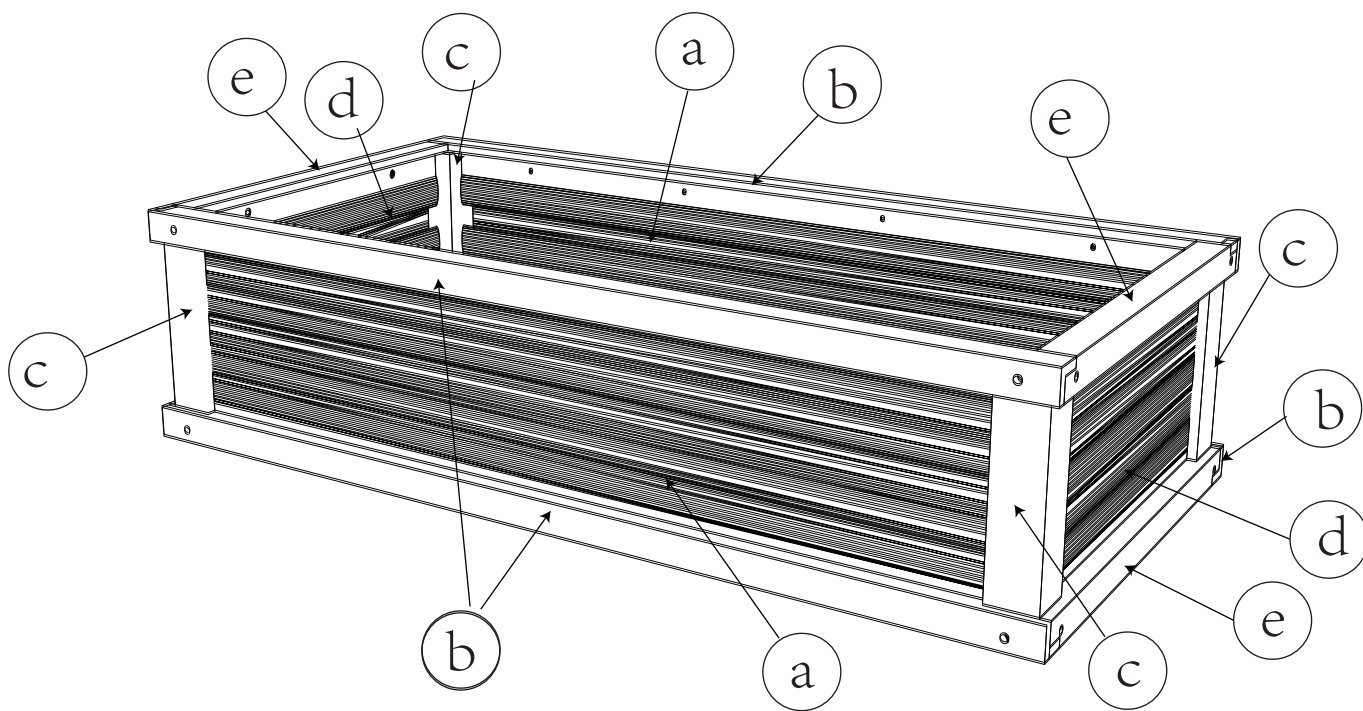
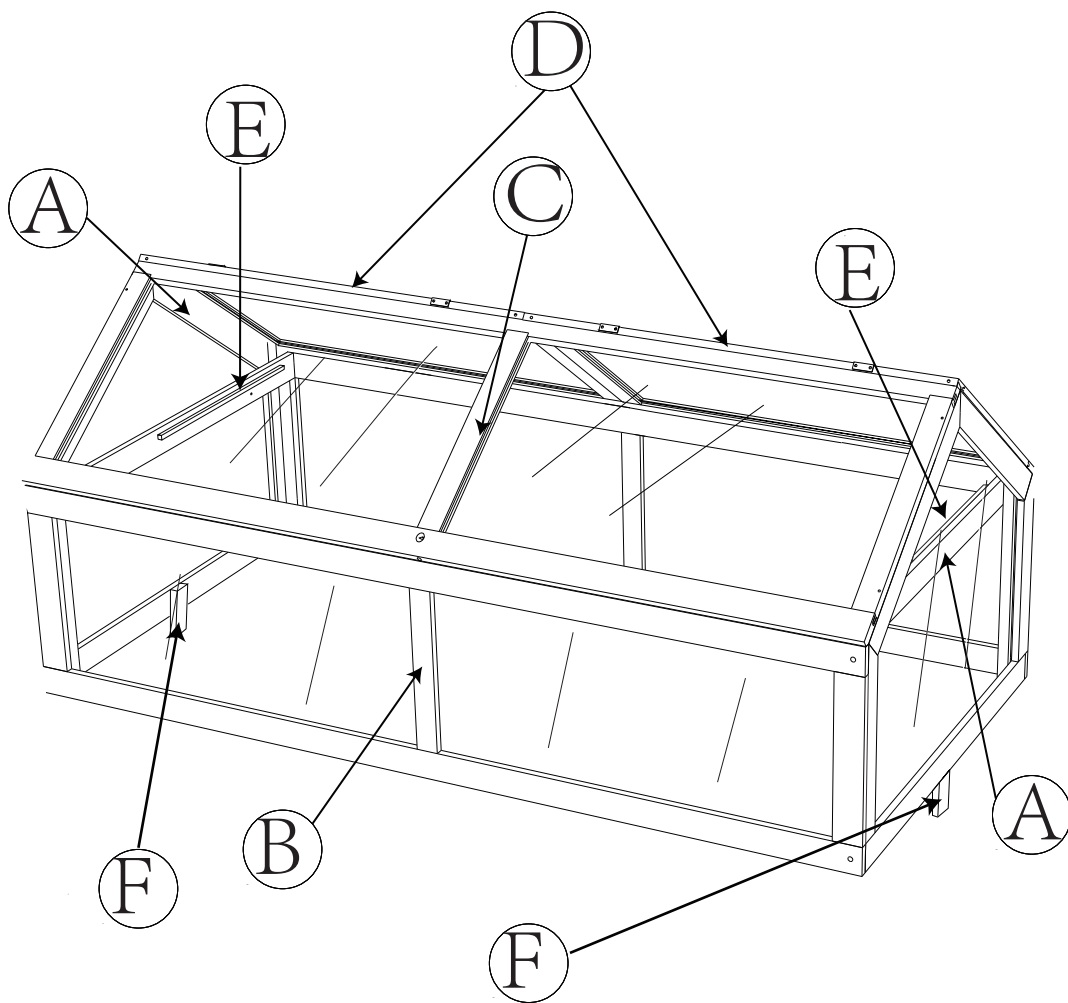
**FR_IMPORTANT: A LIRE ATTENTIVEMENT ET À CONSERVER POUR CONSULTATION
ULTÉRIEURE.**

ES_IMPORTANTE, LEA Y GUARDE PARA FUTURAS REFERENCIAS.

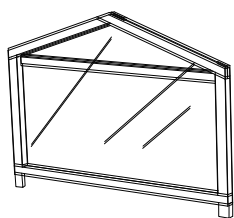
PT_IMPORTANTE, RETER PARA REFERÊNCIA FUTURA: LEIA ATENTAMENTE.

DE_WICHTIG! SORFGÄLTIG LESEN UND FÜR SPÄTERES NACHSCHLAGEN AUFBEWAHREN.

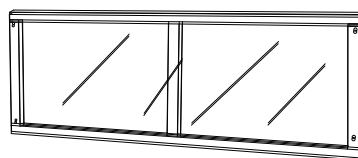
**IT_IMPORTANTE! CONSERVARE IL PRESENTE MANUALE PER FUTURO RIFERIMENTO E
LEggerlo ATTENTAMENTE.**



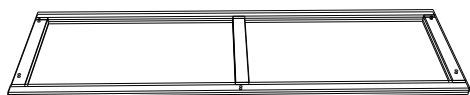
PARTS



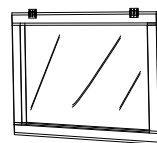
A x 2



B x 2



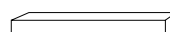
C x 1



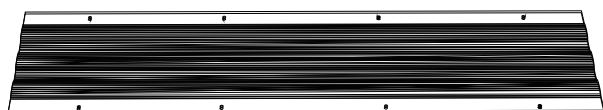
D x 2



E x 2



F x 2



a x 2



b x 4



c x 4



d x 2



e x 4

HARDWARE



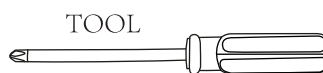
1 x 29
M4*30
+1(spare)



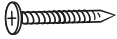
2 x 28
M4*20
+1(spare)



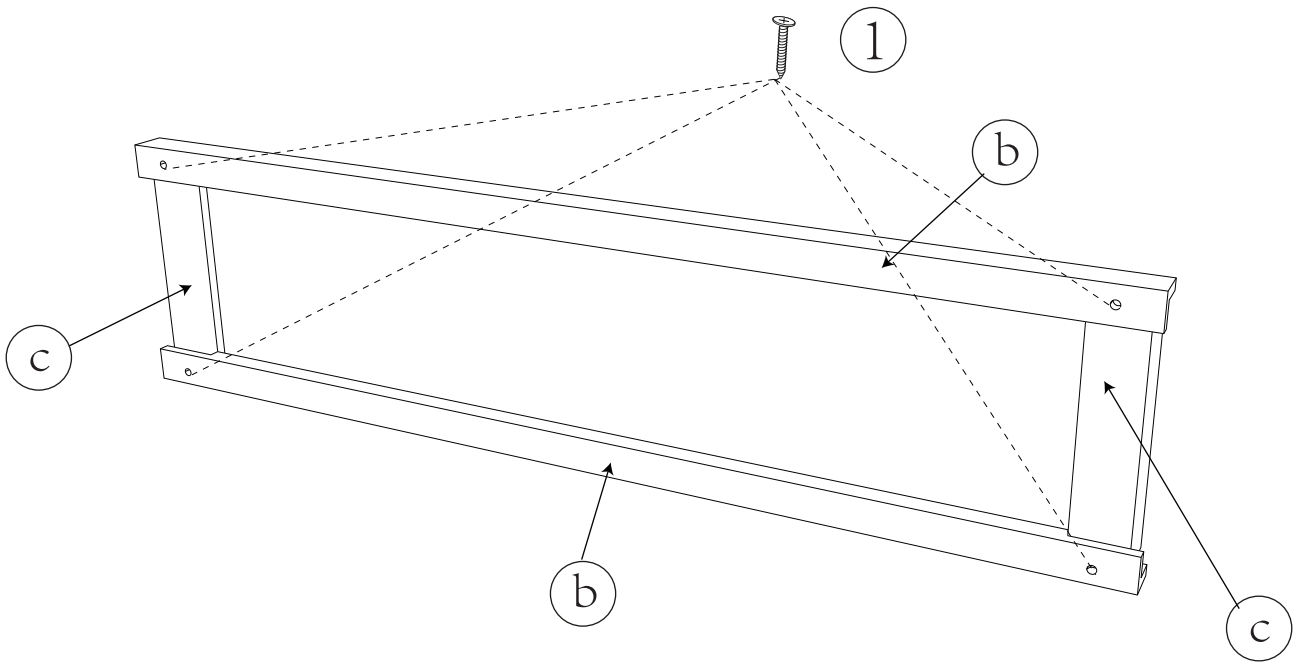
3 x 8
M3*8
+1(spare)




4 x 1

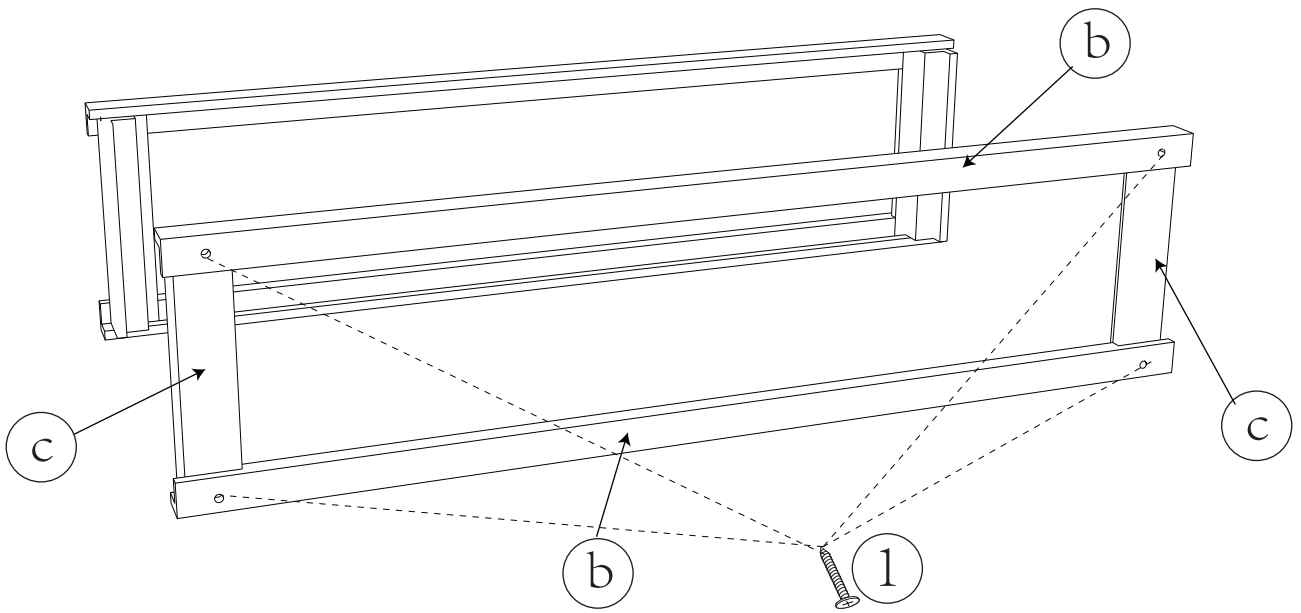
① M4 × 30 mm × 4 pieces 

01



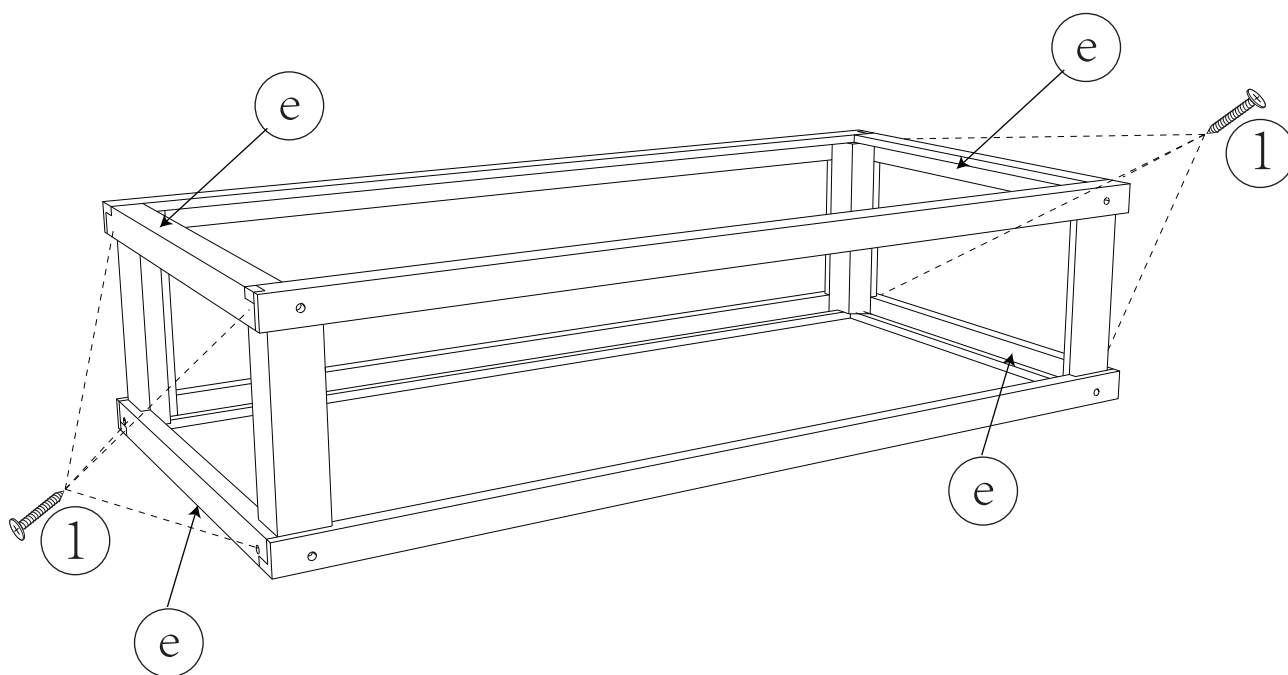
① M4 × 30 mm × 4 pieces 

02



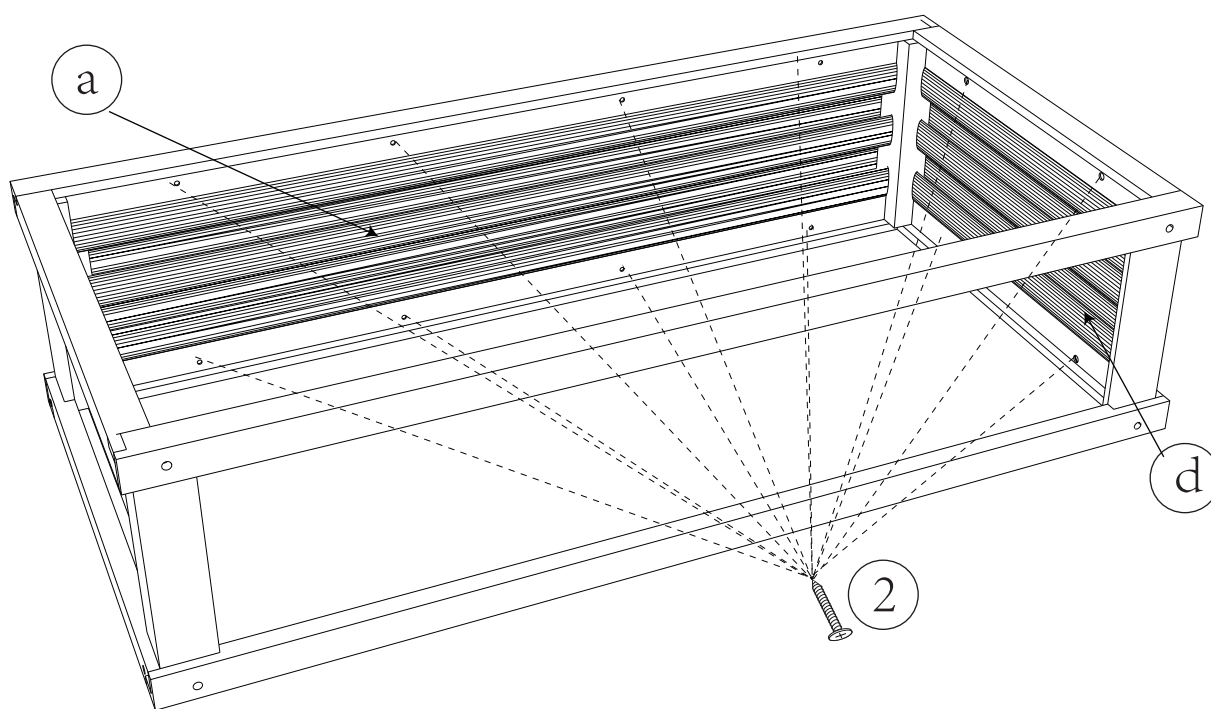
① M4 × 30 mm × 8 pieces 


03

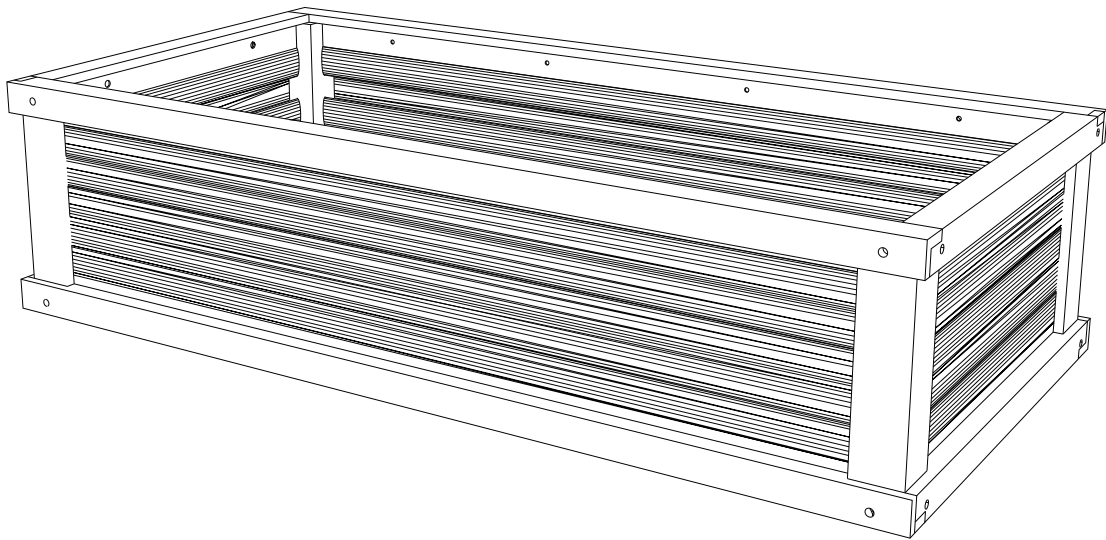
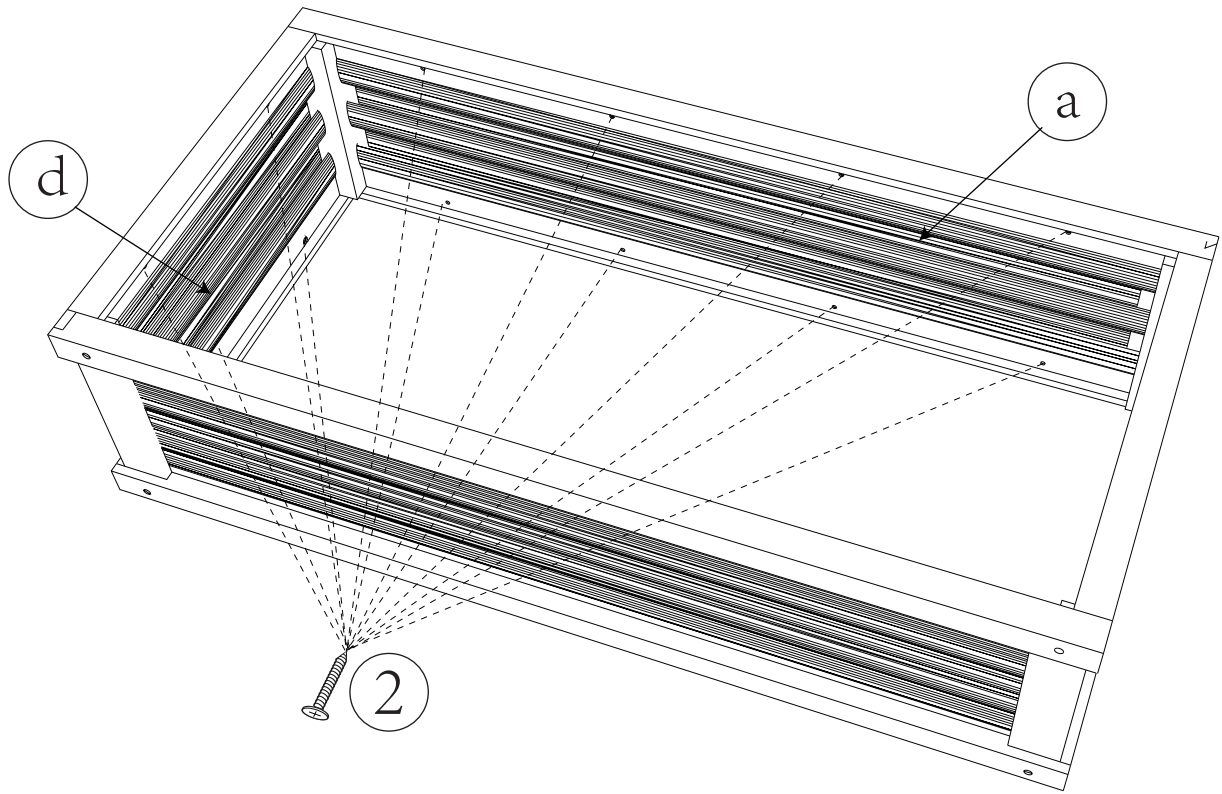


② M4 × 20 mm × 12 pieces 

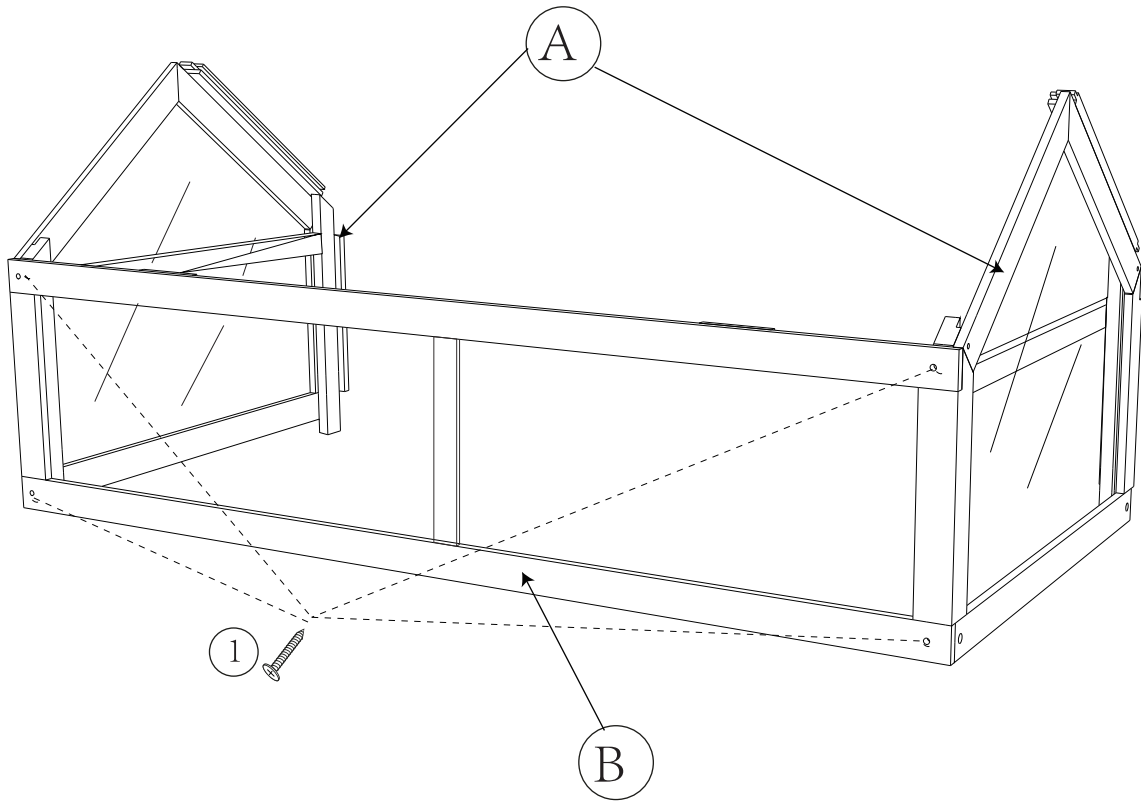
04




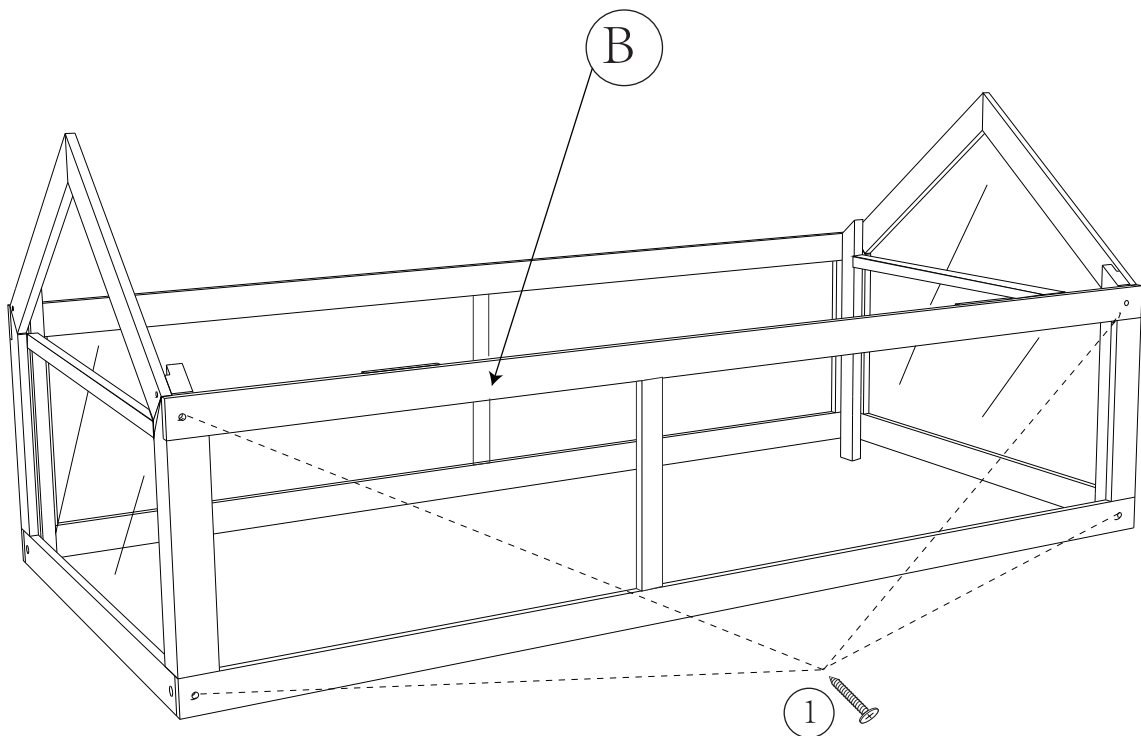
② M 4 × 20 mm × 12 pieces 





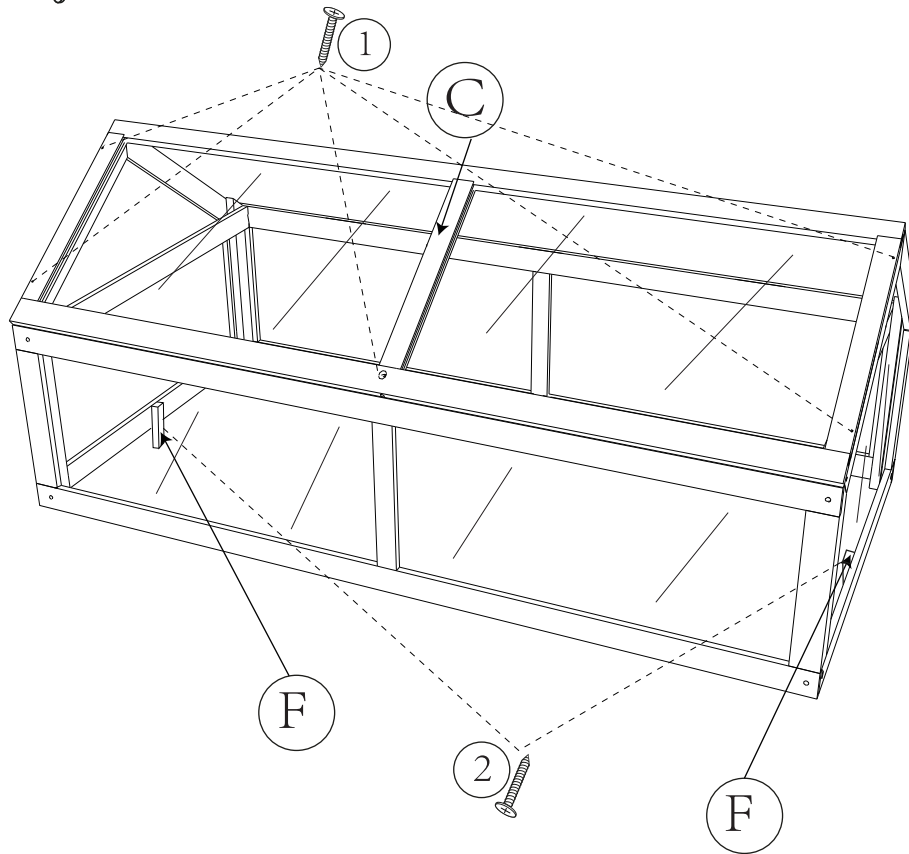
① M 4 × 30 mm × 4 pieces 

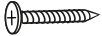


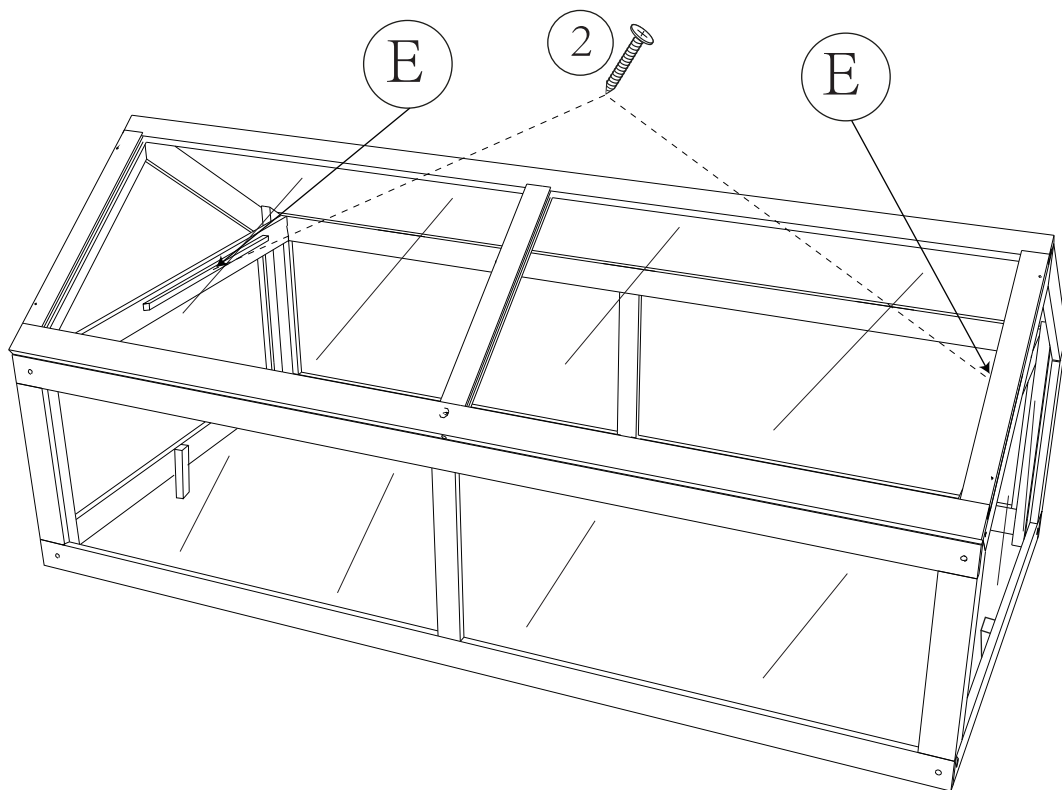
① M 4 × 30 mm × 4 pieces 




- ① M 4 × 30 mm × 5 pieces 
- ② M 4 × 20 mm × 2 pieces 



- ② M 4 × 20 mm × 2 pieces 



③ M3 × 8 mm × 8 pieces 

11

