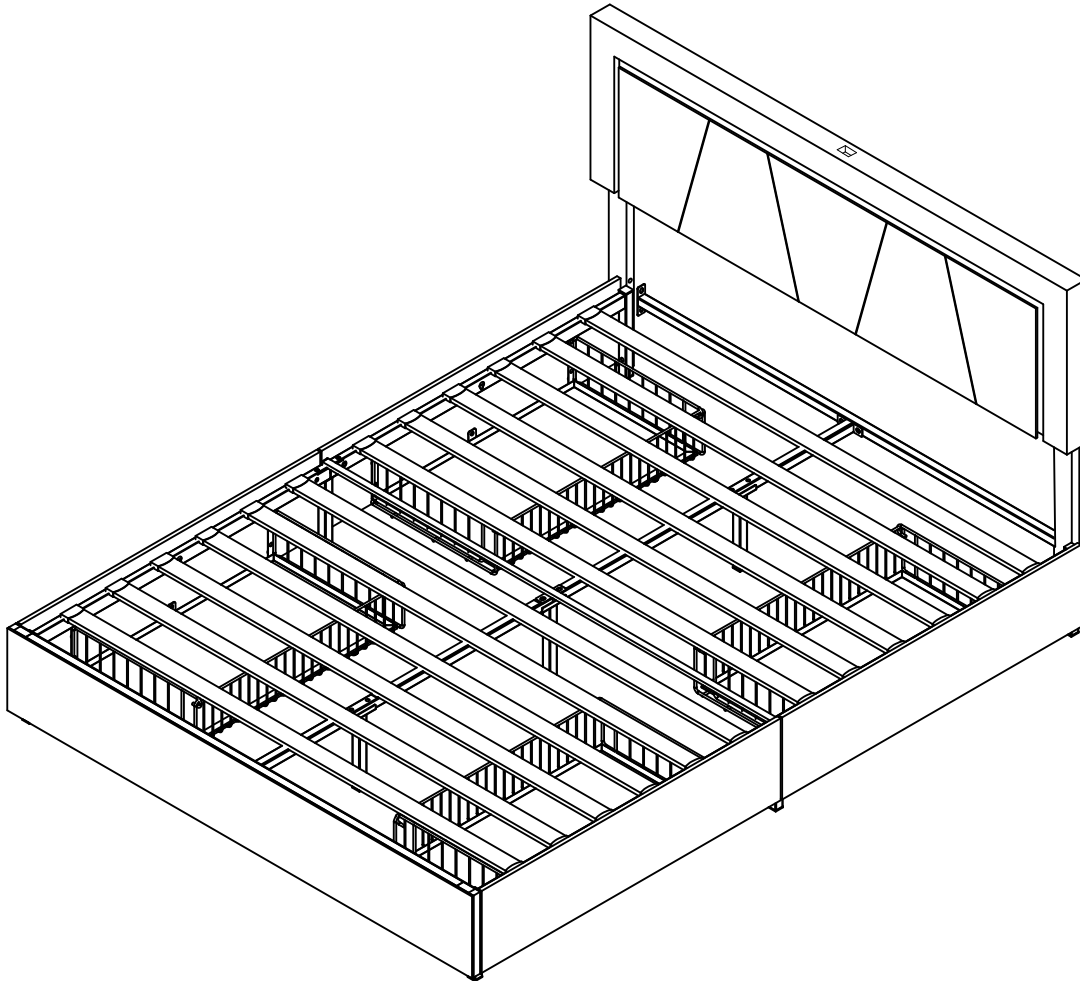


ASSEMBLY INSTRUCTIONS

DEAR CUSTOMER,

Caution:

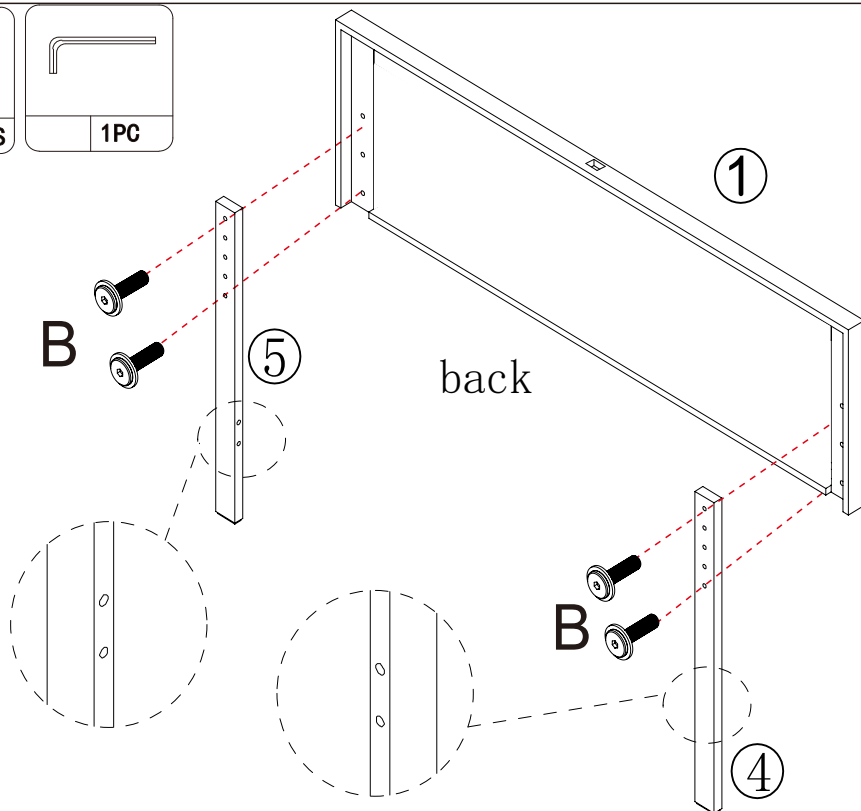
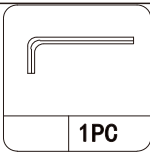
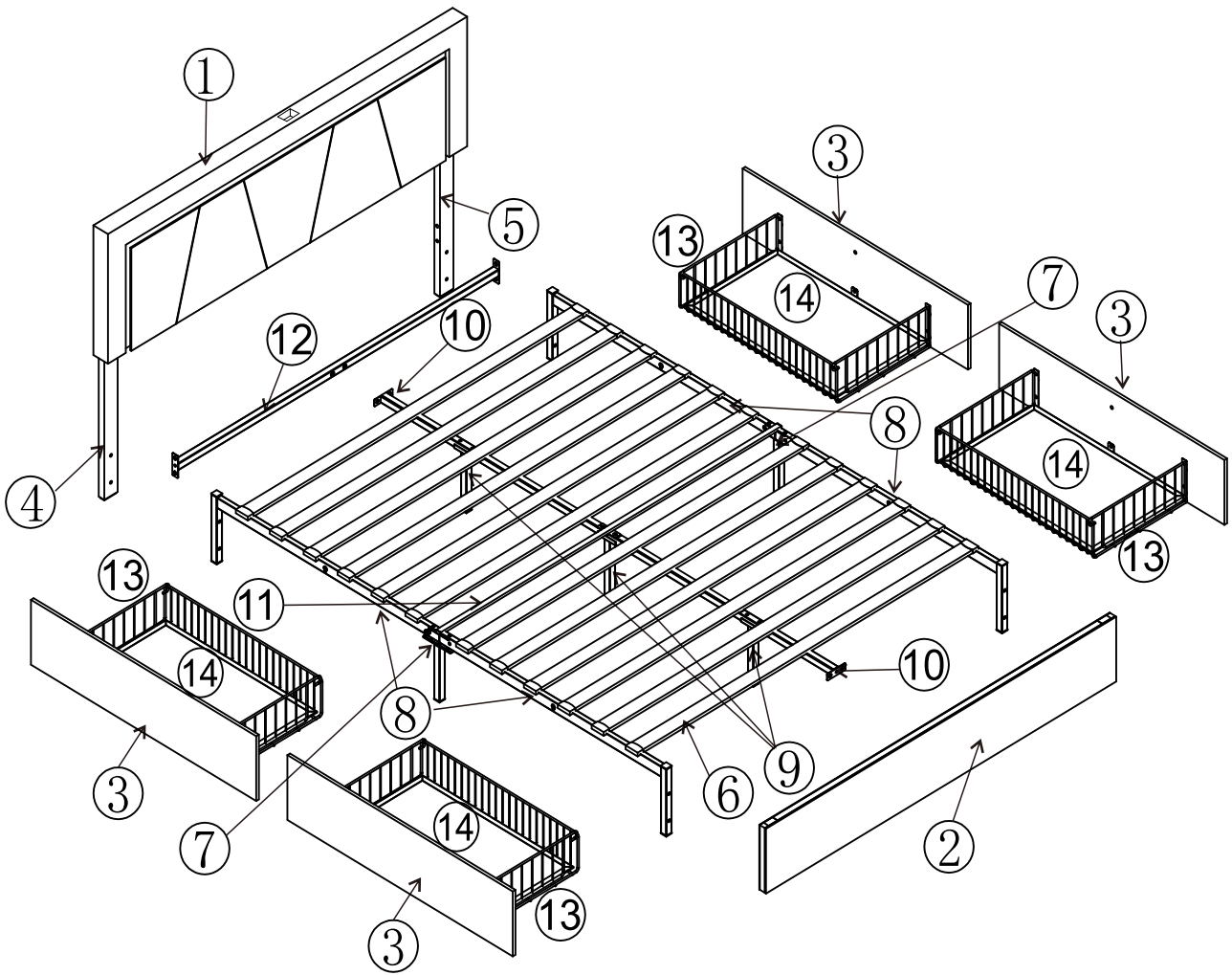
1. Please read all instructions before assembly and check the carton for any parts that may have come loose during shipment. It is recommended to use two or more persons during the assembly process.
2. Please do not discard any packaging before you have checked all the parts and fittings are included. If for any reason this product needs to be returned it must be returned packed in its original packaging.
3. Assemble this product on a flat and clean surface to avoid scratching.




Hardware List

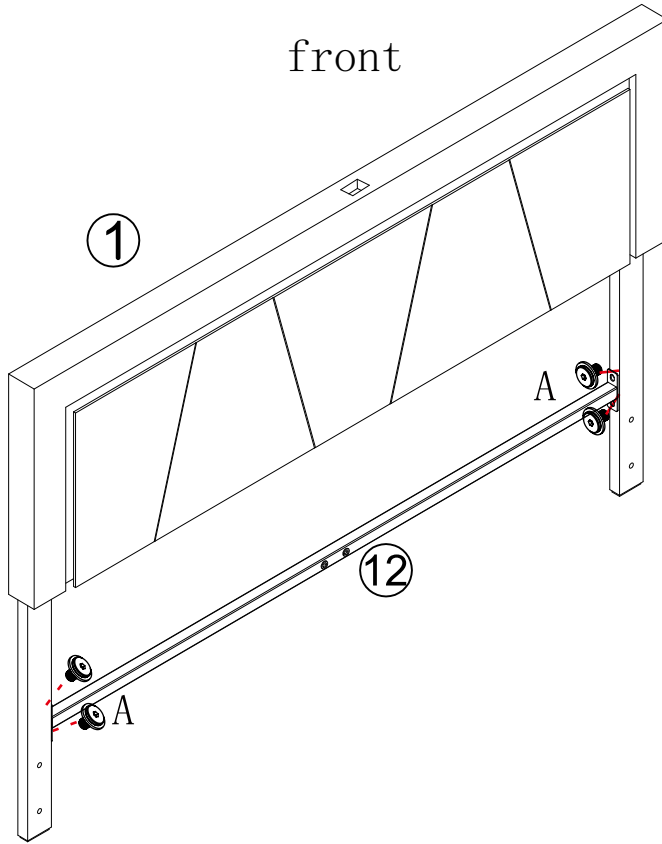
 **Pls make sure all the accessories are complete!**

 ① 1PC	 ② 1PC	 ③ 4PCS	 ④ 1PC	 ⑤ 1PC
 ⑥ 12PCS	 ⑦ 2PCS	 ⑧ 4PCS	 ⑨ 3PCS	 ⑩ 2PCS
 ⑪ 1PC	 ⑫ 1PC	 ⑬ 4PCS	 ⑭ 4PCS	 L 2 PCS
 M8*25mm A 8 PCS	 M8*45mm B 14 PCS	 M8*35mm C 4 PCS	 M8*14mm D 20 PCS	 M8 E 10 PCS
 M8*20mm F 4 PCS	 M8*55mm G 4 PCS	 H 4 PCS	 I 16PCS	 J 24PCS
 S5 S4 2 PCS	 1PC	 RF Remote Controller 1PC	 RF RGB CONTROLLER 1PC	 Adaptor 1PC





M8*25mm
A 4PCS



1PC






M8*25mm
A 2PCS

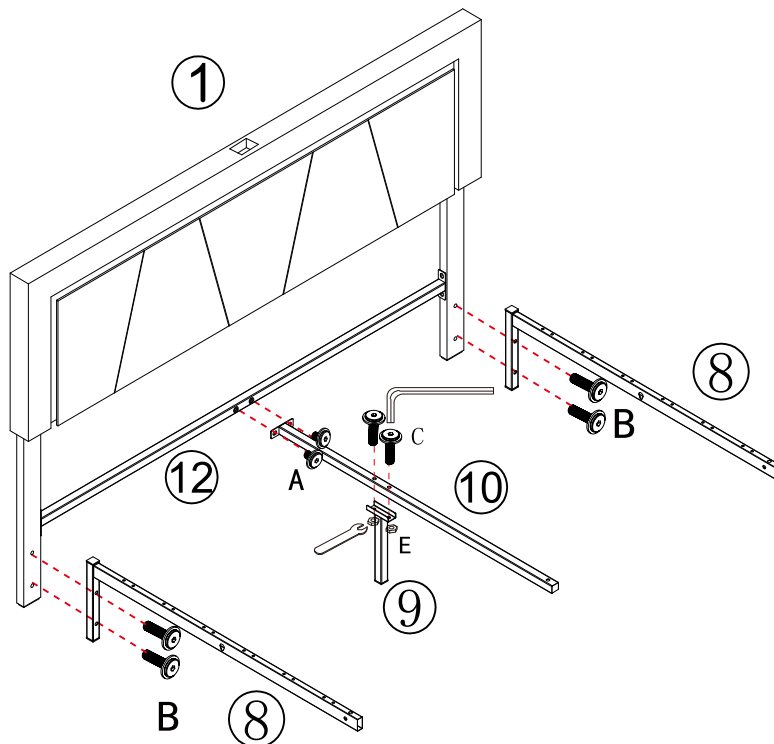

M8*45mm
B 4PCS

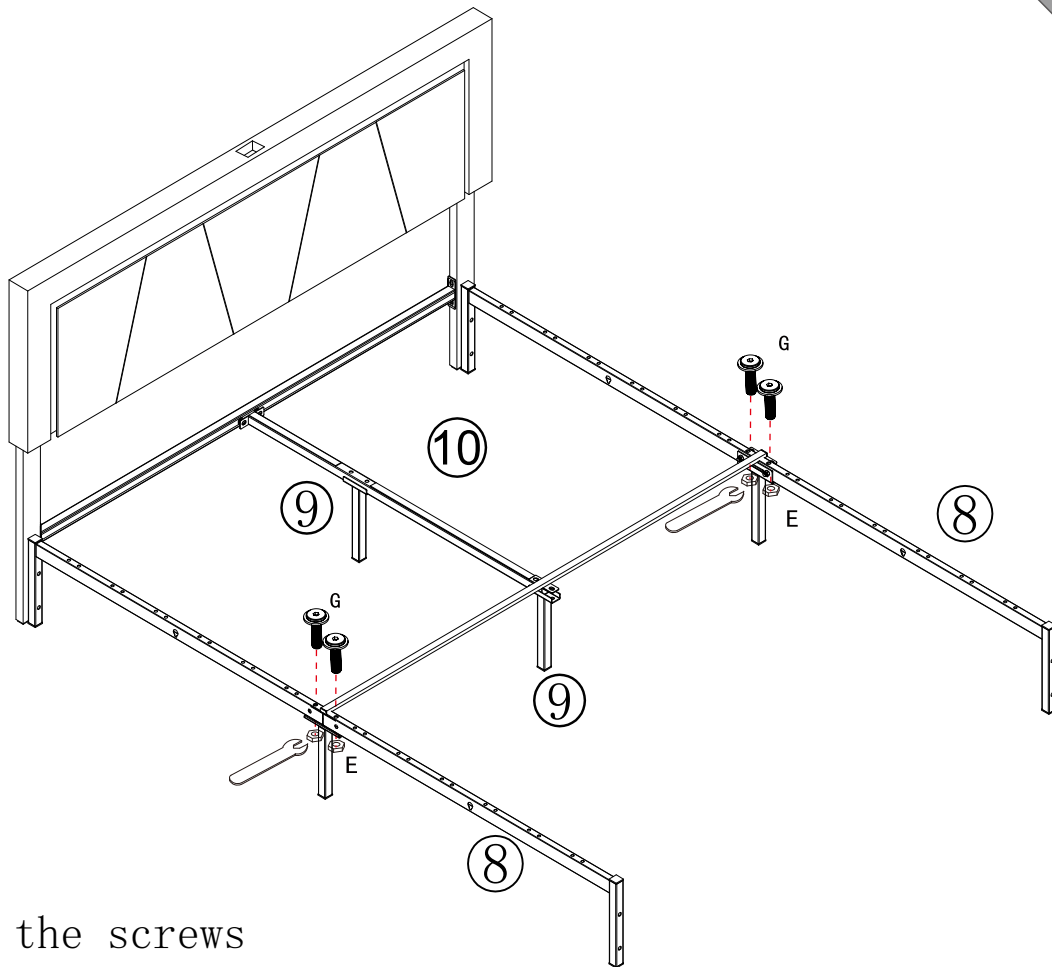
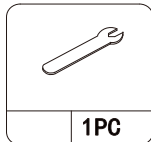
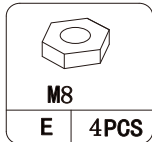
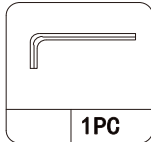

M8*35mm
C 2PCS


1PC

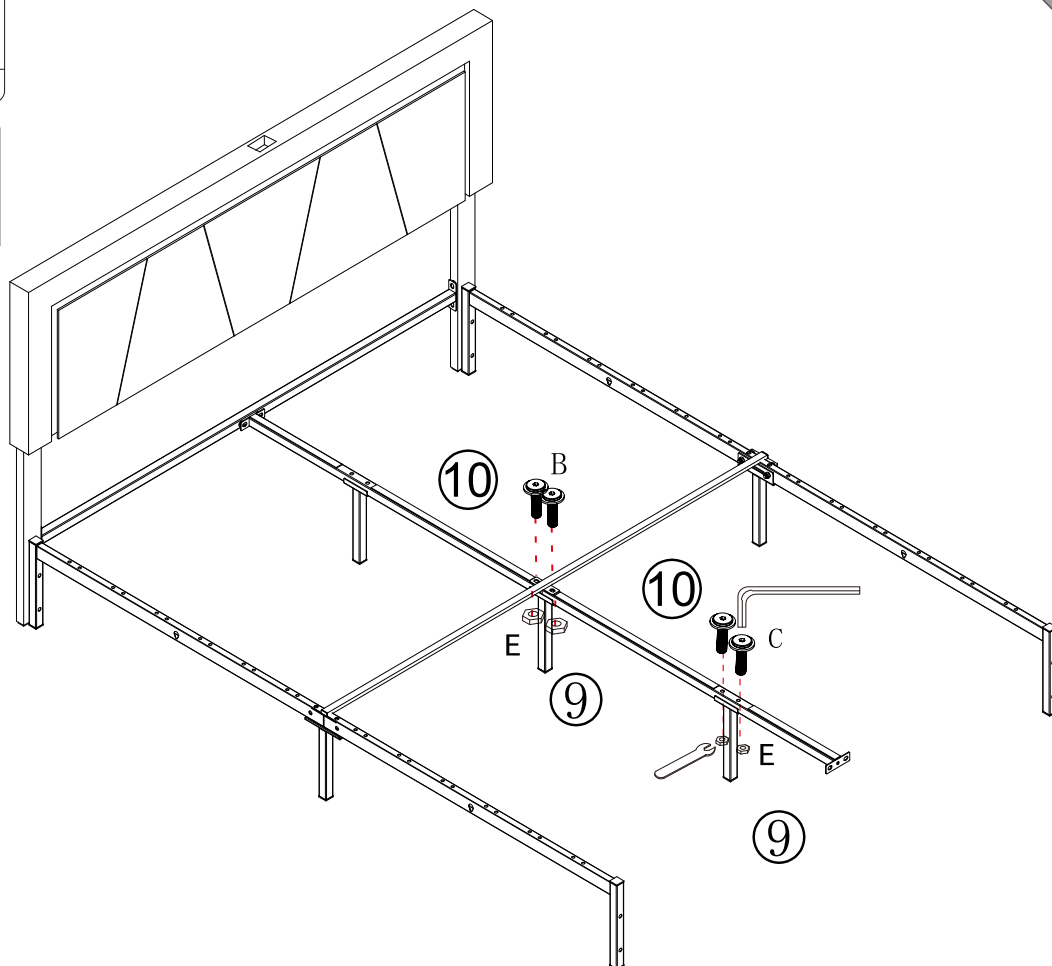
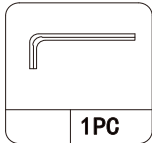
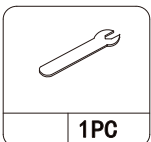
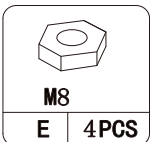
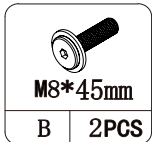

M8
E 2PCS





1PC

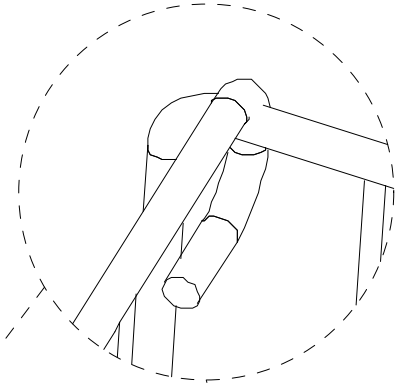
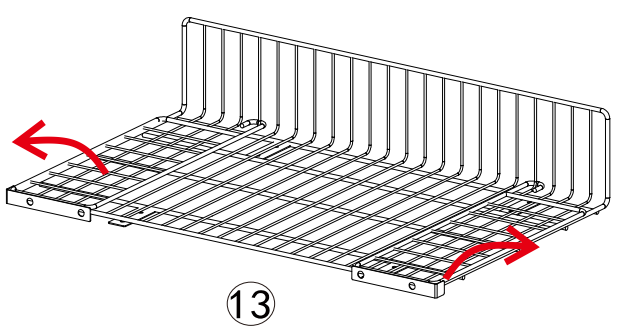
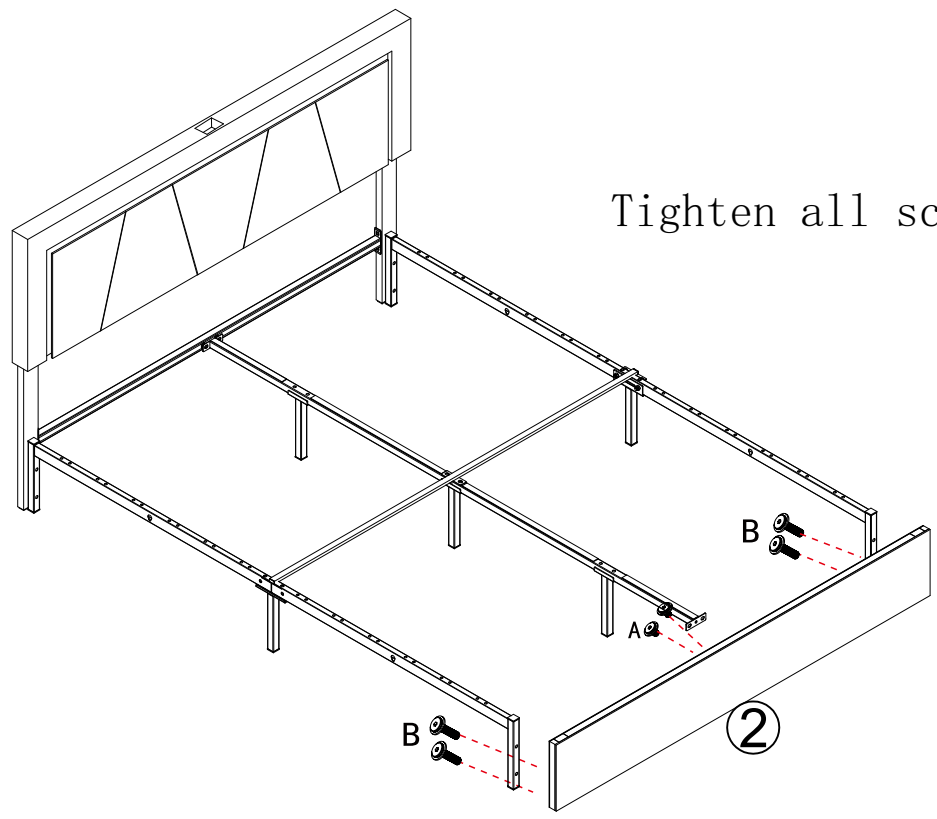




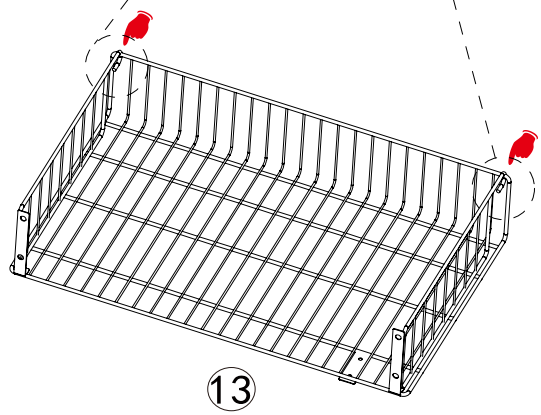
Do not tighten the screws



-  M8*45mm
B 4PCS
-  M8*25mm
A 2PCS
-  1PC

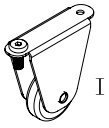
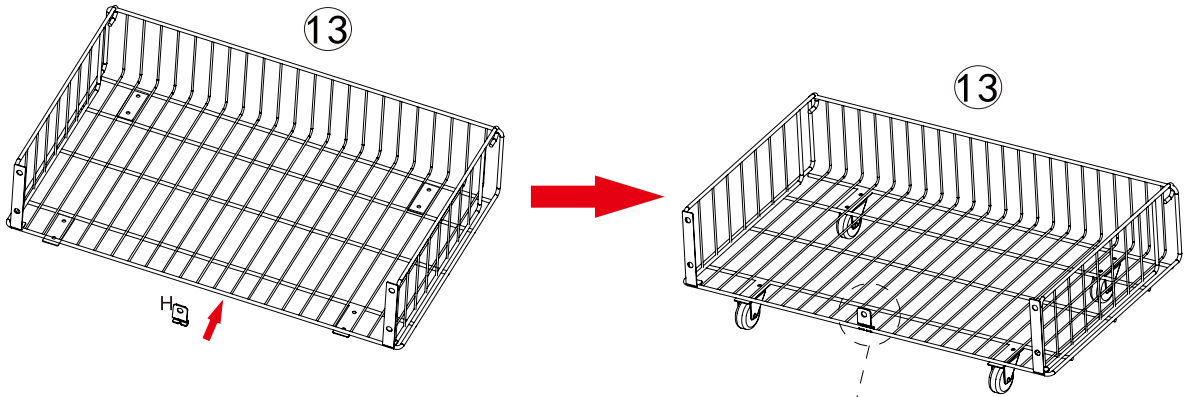


4X

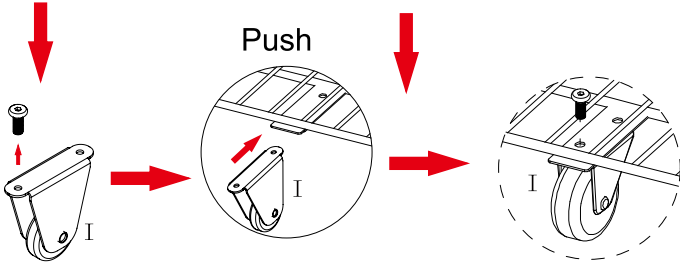


- I 16PCS
- H 4PCS
- S5
- S4
- 2PCS

4X



Push



Remove the screw

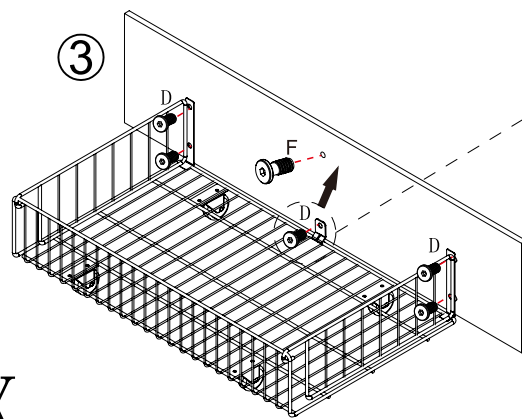


Pay attention to the direction of the buckle

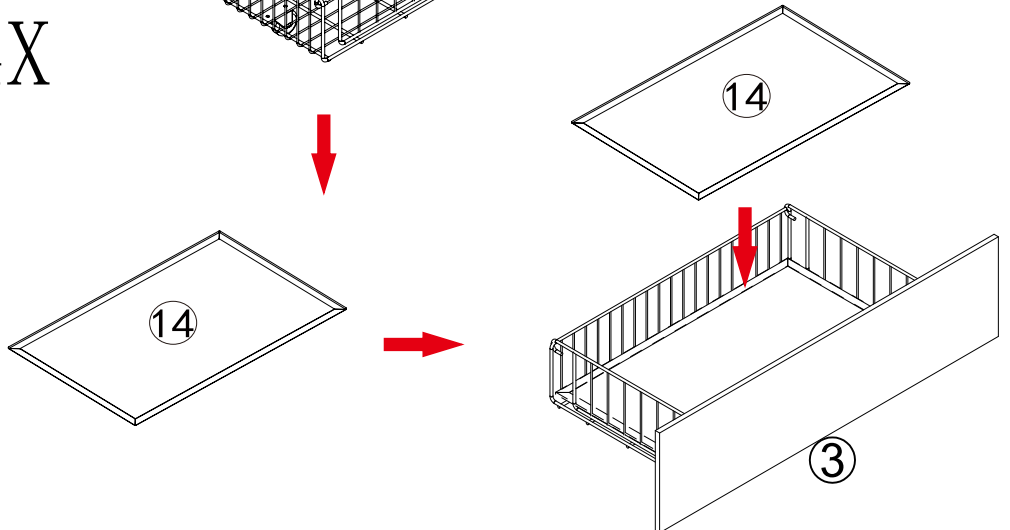
- M8*14mm
- D 20PCS
- F 4PCS
- S5
- S4
- 2PCS

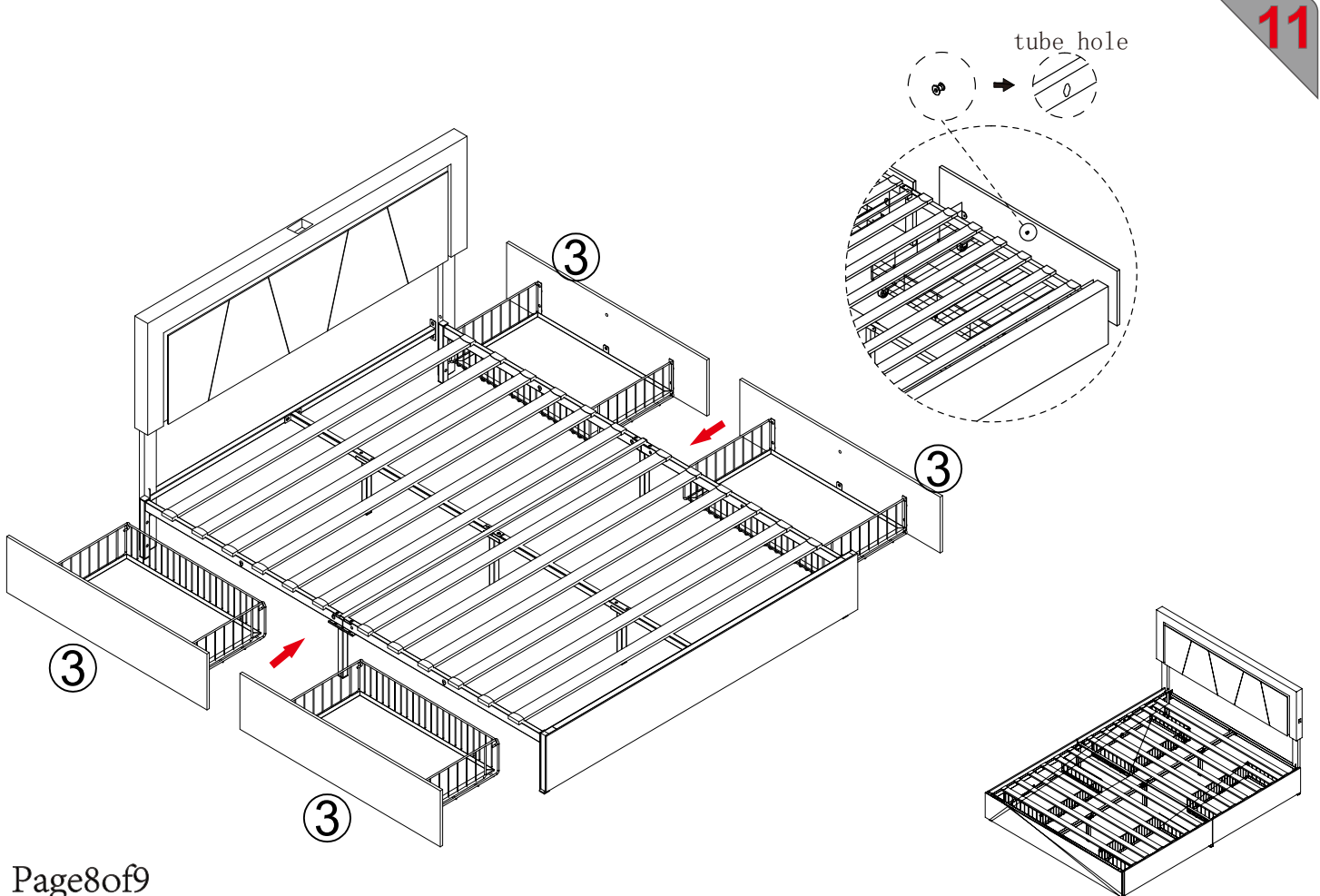
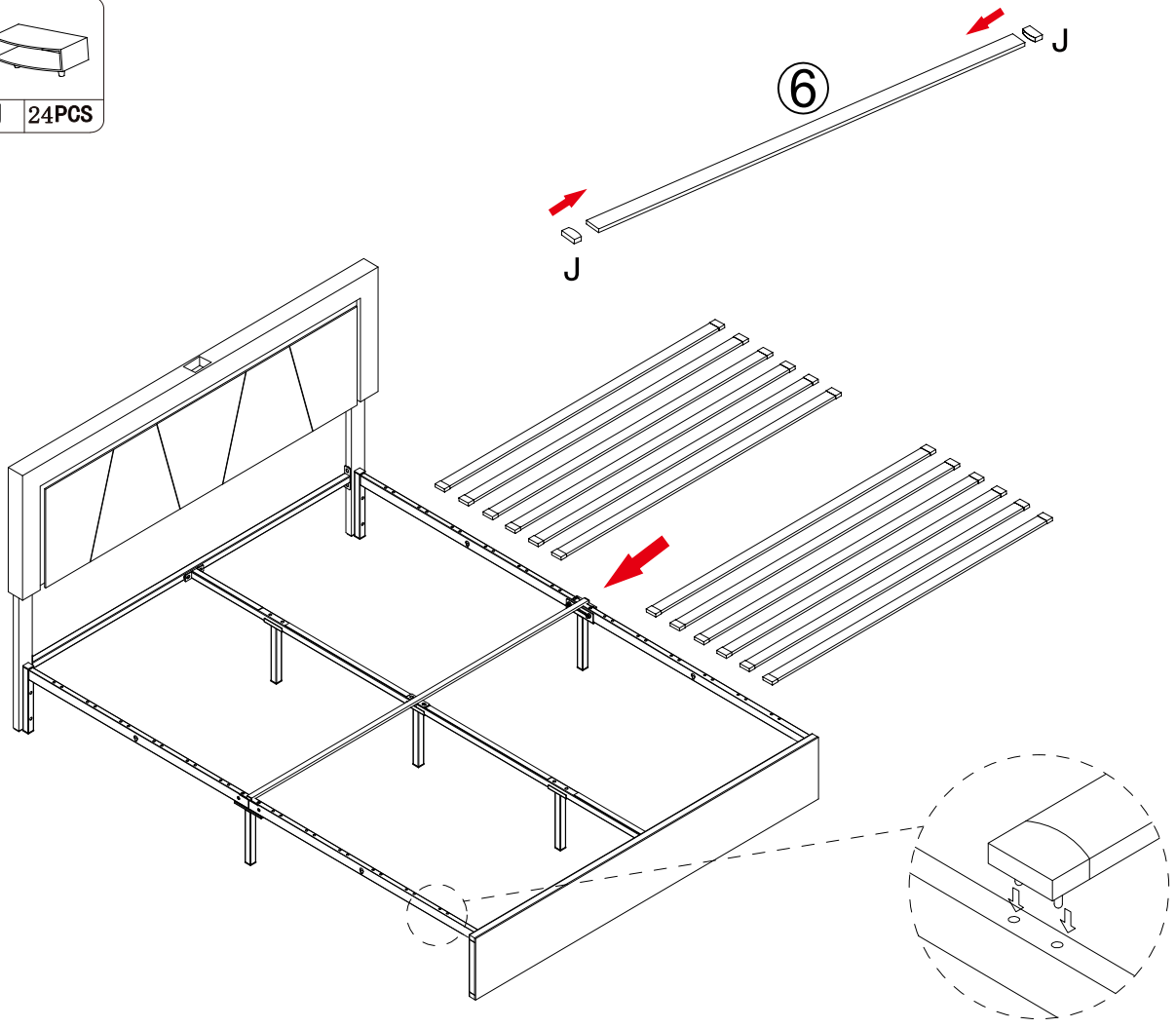
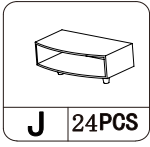


Pay attention to the direction of the buckle



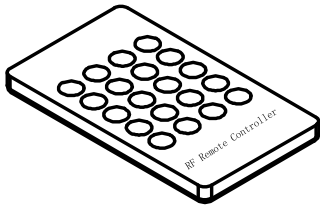
4X



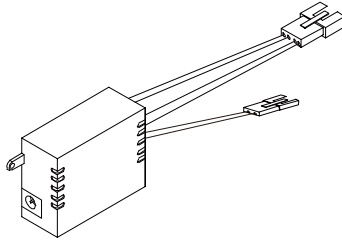


Electronic accessories Manual

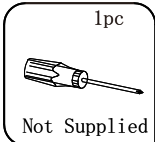
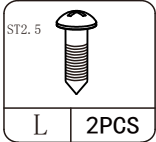
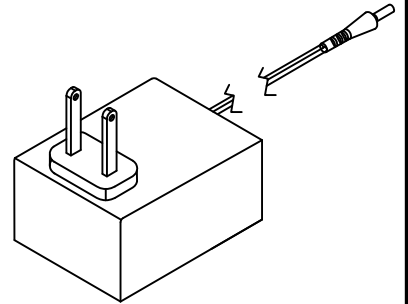
part 1



part 2



part 3



Note: The USB interface can only be installed on the left side of the bed.

12

