

## ASSEMBLY INSTRUCTIONS



*Fine Furniture for every stage of life*

**POWER RECLINING LOVESEAT**

## ASSEMBLY INSTRUCTIONS

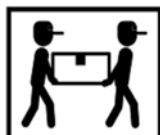
### ASSEMBLY TIPS:

- 1.Remove hardware from box and sort by size.
- 2.Please check to see that all hardware and parts are present prior to start of assembly.
- 3.Please follow attached instruction in the same sequence as numbered to assure fast & easy assembly.



#### WARNING!

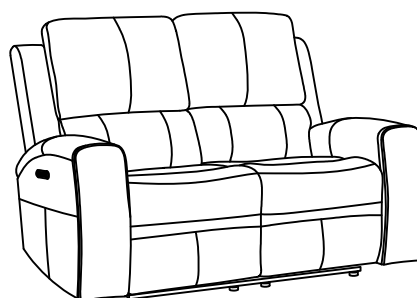
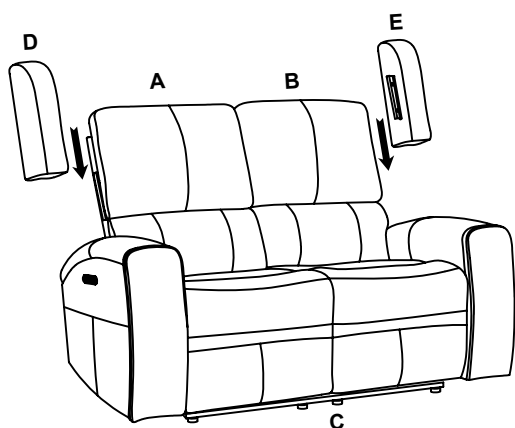
- 1.Don't attempt to repair or modify parts that are broken or defective. Please contact the store immediately.
- 2.This product is for home use only and not intended for commercial establishment.



ASSEMBLY TIME

5 MINUTES

## PARTS IDENTIFICATION



**A LEFT BACK**

**B RIGHT BACK**

**C BASE**

**D LEFT EAR**

**E RIGHT EAR**

**F PLUG-IN POWER SUPPLY**



**1 PC**



**1 PC**



**1 PC**



**1 PC**



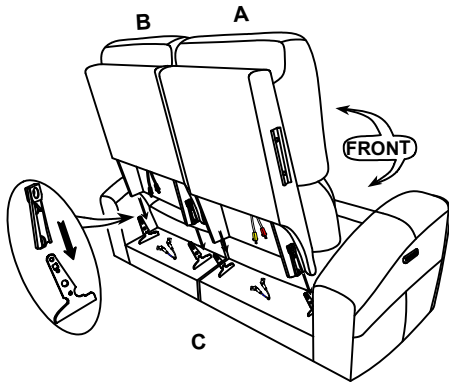
**1 PC**



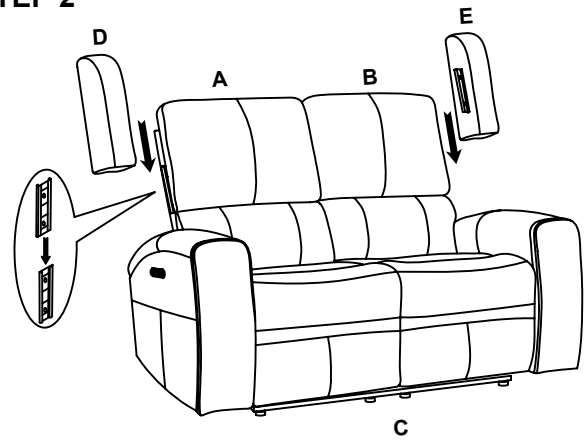
**1 PC**

# ASSEMBLY INSTRUCTIONS

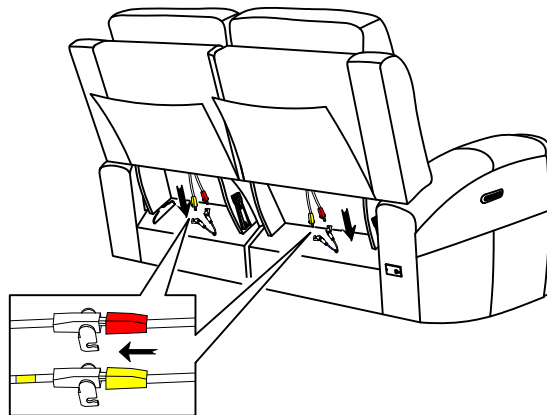
## STEP 1



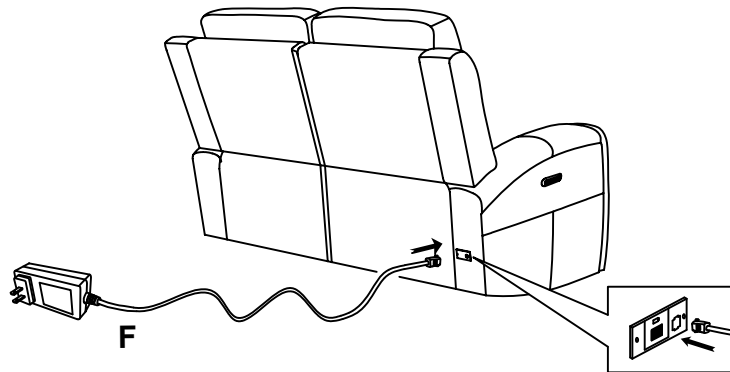
## STEP 2



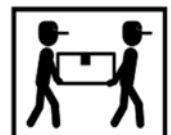
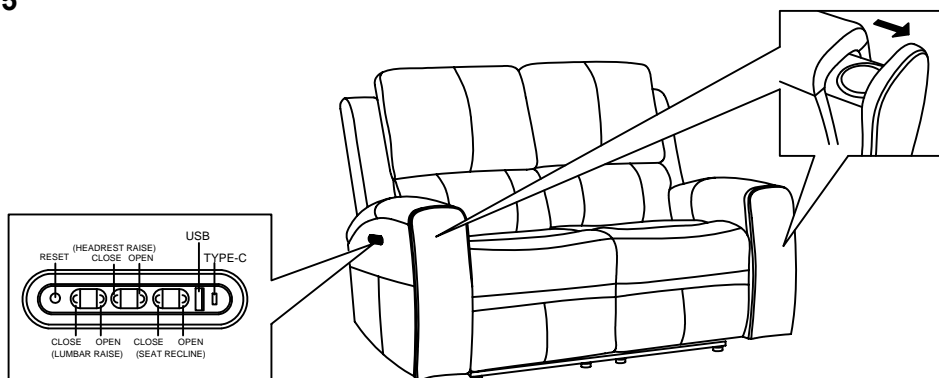
## STEP 3



## STEP 4



## STEP 5

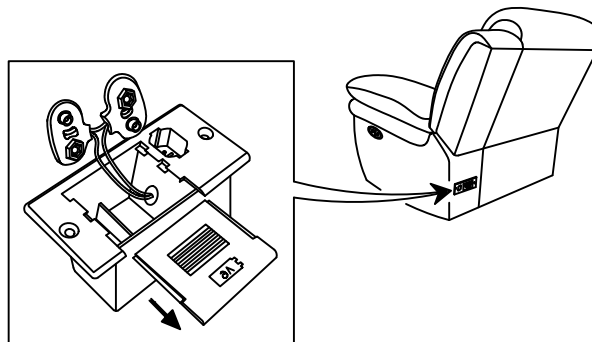


## ASSEMBLY INSTRUCTIONS

Please follow below steps to install the 9V batteries when there is no power to operate the motion sofa.(Any model of 9V battery is applicable)

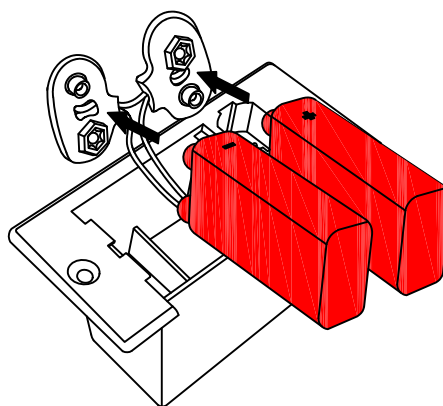
### STEP 1

Open the marked battery door on the backup battery box.



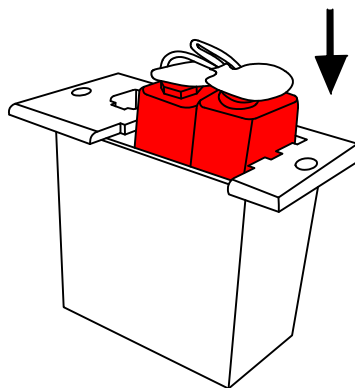
### STEP 2

Install two 9V batteries in the backup battery box.(batteries are not included)



### STEP 3

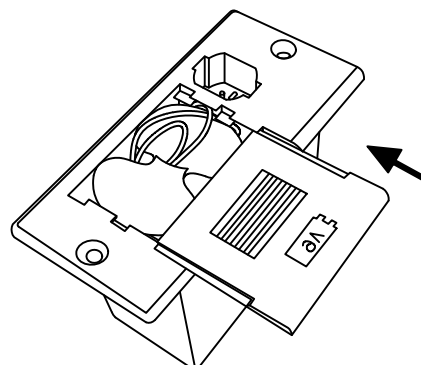
Push the batteries in.



### STEP 4

Close the box door.

Notice: Please don't keep the battery in the box when the power motion sofa is under daily use with power supply.



ASSEMBLY INSTRUCTIONS

