

This article contains biocidal products to give protection against wood destroying insects & wood rotting fungi. Contents may vary. May contain : Basic copper carbonate (Copper (II) carbonate – Copper (II) hydroxide (1:1), Cupric oxide, Copper hydroxide carbonate, oxyethyl, ammoniumpropionate, Copper HDO, Propiconazole, Tebuconazole, Boric acid, Benzalkonium chloride. Wear gloves when handling freshly treated wood. Avoid breathing dust when cutting treated or untreated wood. Dispose of off-cuts responsibly – do not burn.

**Pre-drill**  
for each screw  
used.



# Large Apex Out Door Store

This fixing pack covers multiple products. Please make sure you quote from the relevant parts list in the event you need to order missing or damaged parts.

## Tools Required

### Not Supplied

Drill/Pozi Drive  
Screwdriver



Hammer



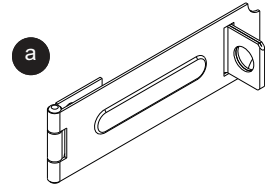
Sharp Knife



Tape Measure



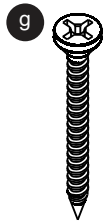
Spirit Level



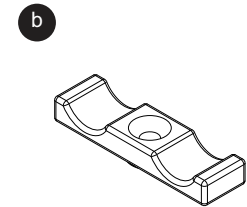
Hasp And Staple Qty 1



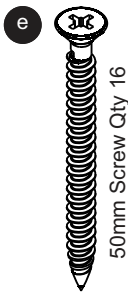
25mm Screw Qty 75



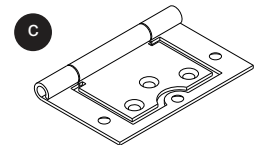
30mm Screw Qty 2



Turn Button Qty 2



50mm Screw Qty 16



Flush Hinge Qty 4



30mm Nail Qty 36



Felt Tacks Qty 40

## OPALOS (Pressure Treated Overlap ) PARTS LIST

Item	Part Code	Part Description	Quantity
1	OPOSBP	OLAP PTR OUTDOOR STORAGE BACK PANEL	1
2	POSFP	OLAP PTR OUTDOOR STORE FRONT PANEL	1
3	OPOSSP	OLAP PTR OUDOOR STORAGE SIDE PANEL	2
4	POSDR	PTR OUTDOOR STORE DOOR	2
5	AOSRF	OLAP APEX OUTDOOR STORE ROOF	2
6	121120907PAII83PT	BOARD 121x12x907mm PAR ANGLED PTREAT	4
7	45281183PT	BATTEN 45x28x1183mm PTREAT	1
8	44121372PPT	STRIP 44x12x1372mm PAR PTREAT	2
9	121121010PAII83PT	BOARD 121x12x1010mm PAR ANGLED PTREAT	4
10	121120784PPT	BOARD 121x12x784mm PAR PTREAT	2
11	18287508	OSB 1828x750x8mm	1
12	28281828PT	BATTEN 28x28x1828mm PTREAT	3
13	28280070PT	BATTEN 28x28x70mm PTREAT	4
14	44161372PT	STRIP 44x16x1372mm PTREAT	2
15	85063	BLACK FELT 2.5 x 1 METRE	1

## SPALOS (Shiplap) PARTS LIST

Item	Part Code	Part Description	Quantity
1	SPOSBP	SLAP PTR OUTDOOR STORAGE BACK PANEL	1
2	POSFP	OLAP PTR OUTDOOR STORE FRONT PANEL	1
3	SPOSSP	SLAP PTR OUDOOR STORAGE SIDE PANEL	2
4	POSDR	PTR OUTDOOR STORE DOOR	2
5	AOSRF	OLAP APEX OUTDOOR STORE ROOF	2
6	121120907PAII83PT	BOARD 121x12x907mm PAR ANGLED PTREAT	4
7	45281183PT	BATTEN 45x28x1183mm PTREAT	1
8	44121372PPT	STRIP 44x12x1372mm PAR PTREAT	4
9	121121010PAII83PT	BOARD 121x12x1010mm PAR ANGLED	4
10	121120784PPT	BOARD 121x12x784mm PAR PTREAT	2
11	18287508	OSB 1828x750x8mm	1
12	28281828PT	BATTEN 28x28x1828mm PTREAT	3
13	28280070PT	BATTEN 28x28x70mm PTREAT	4
15	85602	GREEN FELT 2.5 x 1 METRE	1

## Attention:

- For Domestic Use Only.
- Must be built on a **solid and level** base.
- Regularly check that all fixing are tight and secure.
- Regularly check the felt for damage.

## Important:

Assembly of this product requires a minimum of two adults.

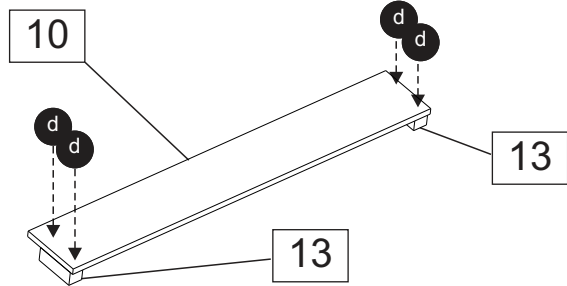
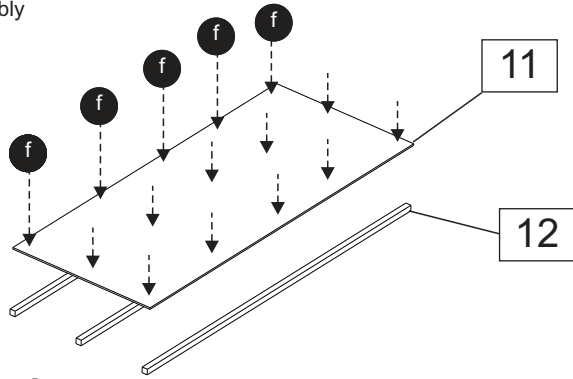
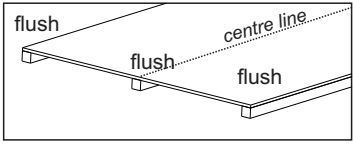
**Please check all parts prior to assembly.**

This product is pressure treated to ensure longevity of all timber components and to protect against rot. This may leave a colour difference on some parts that will even out as the moisture content stabilises. This will not need additional treatment.

- Please keep all plastic bags and small parts away from children.
- The roof of this product is not a load bearing structure.
- Timber is a natural material and will shrink and swell as a result of varying moisture content.

Assembly of damaged parts may be deemed to be acceptance and this may affect the remedies you are entitled to. If the product is not constructed in accordance with the instructions, or is altered in anyway (e.g. painted), the manufacturer cannot be held liable for any resulting damage.

# A Floor and Barge Board assembly



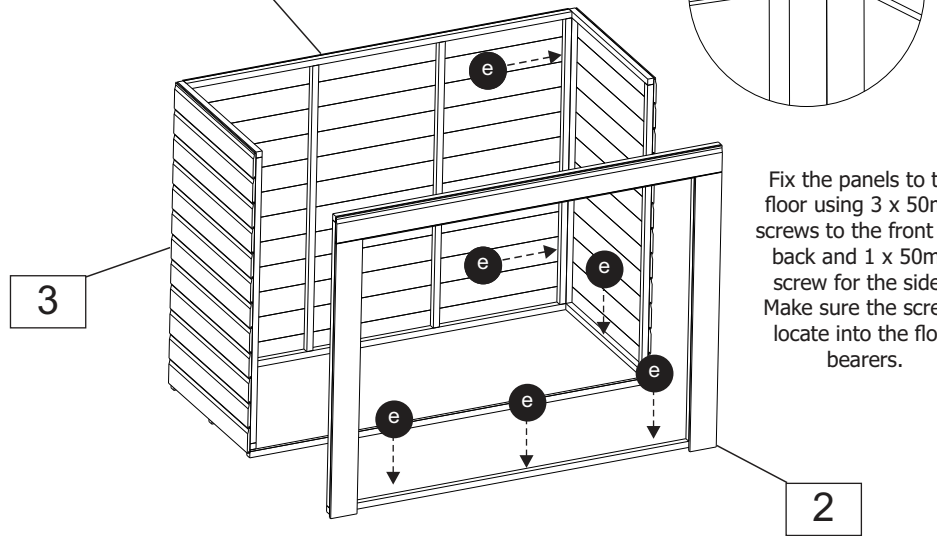
Place the board onto the blocks. The blocks should be flush on the narrow side and offset 10mm from the long side. Fix each in place screwing through the board with 2 x 25mm screws for each.

Repeat with the other boards and remaining blocks.

These are the side barge boards for the roof.

# B

Place the panels on top of the floor. Make sure they are tight and flush before fixing them to each other using 2 x 50mm screws at each corner.



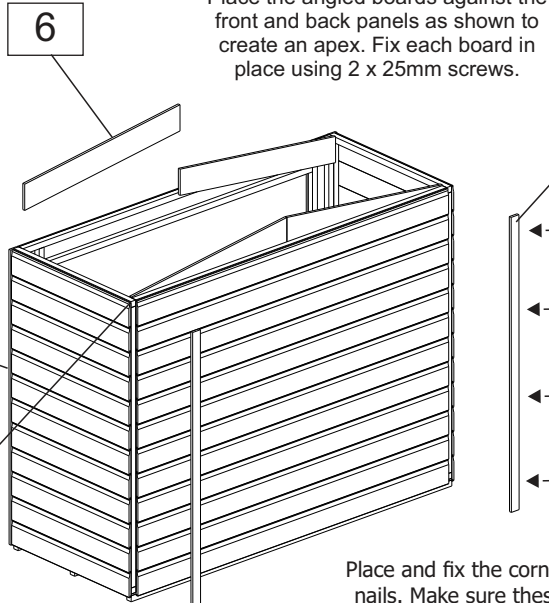
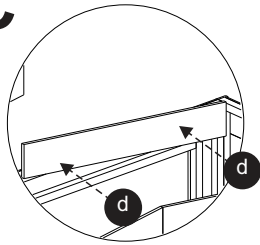
Fix the panels to the floor using 3 x 50mm screws to the front and back and 1 x 50mm screw for the sides. Make sure the screws locate into the floor bearers.

PRE-DRILL

PRE-DRILL

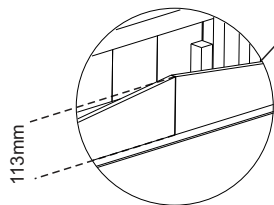
PRE-DRILL

# C



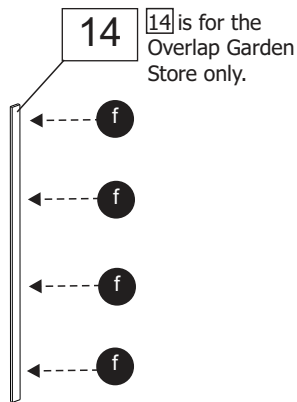
Place the angled boards against the front and back panels as shown to create an apex. Fix each board in place using 2 x 25mm screws.

8 Front Corner Strip



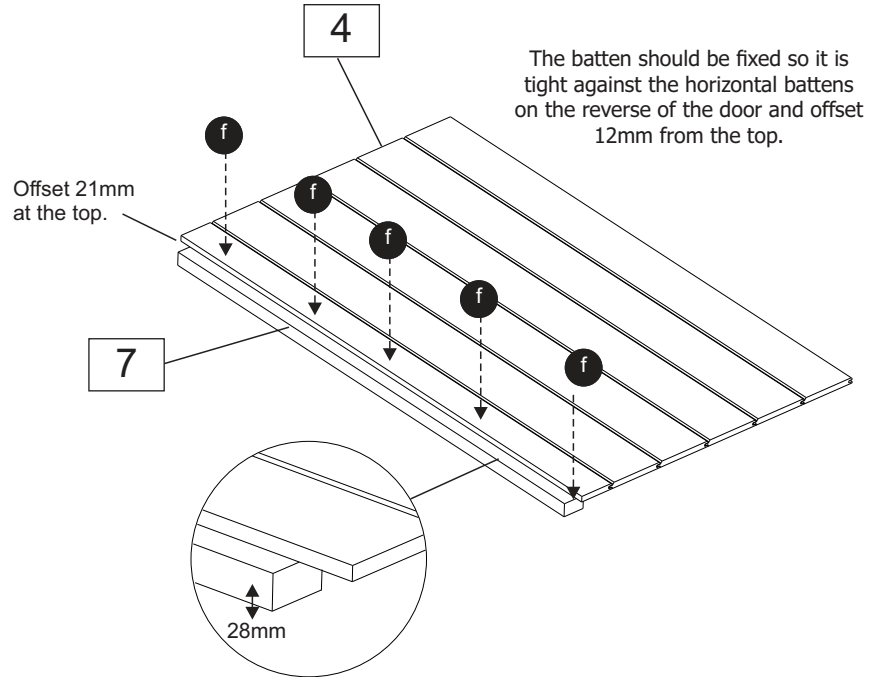
The top point of the board should be offset 113mm from the panel

# D



14 is for the Overlap Garden Store only.

Place and fix the corner strips using 4 x nails. Make sure these are flush on all sides before fixing.



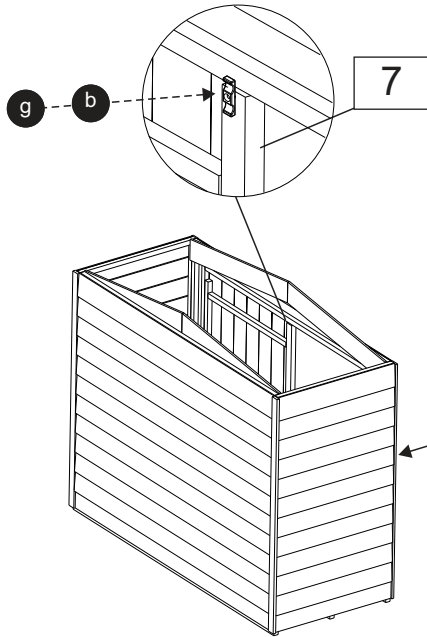
The batten should be fixed so it is tight against the horizontal battens on the reverse of the door and offset 12mm from the top.

Offset 21mm at the top.

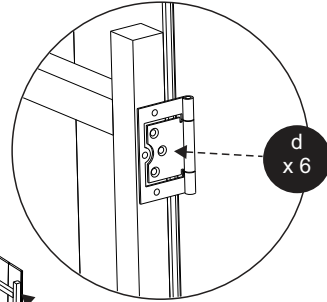
28mm

**E**

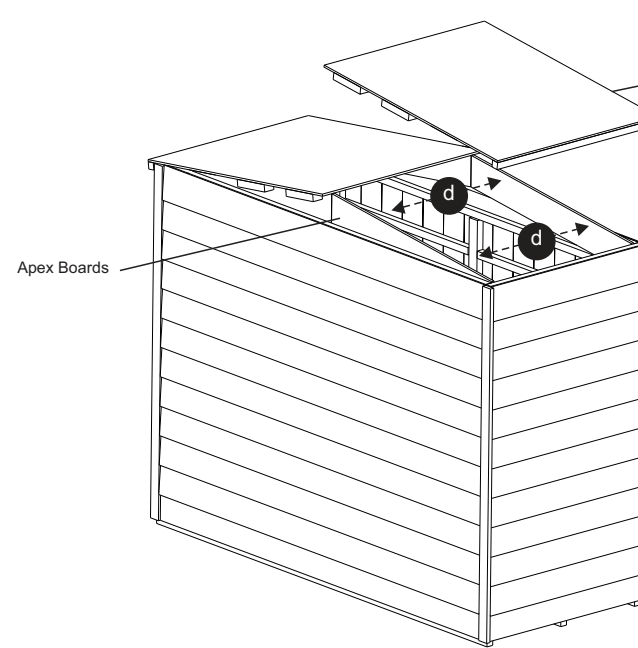
Place a turn button on the top and bottom of the batten.



The top of the hinge should be in line with the horizontal batten

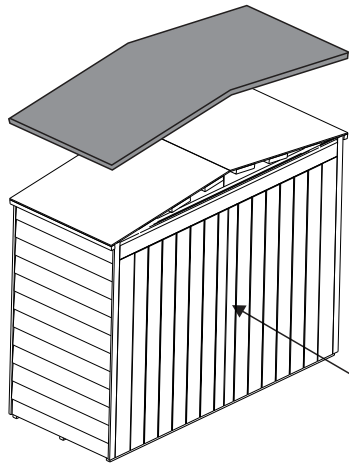


Fix the smaller piece of the hinge to the door.

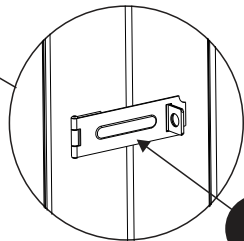
**F**

Place the roof sections so that they line up at the apex. Fix these from the inside screwing through the apex boards into the battens using 4 x 25mm screws for each roof section.

PRE-DRILL

**G**

Position and line up the hasp and staple with framing on the inside of the door.

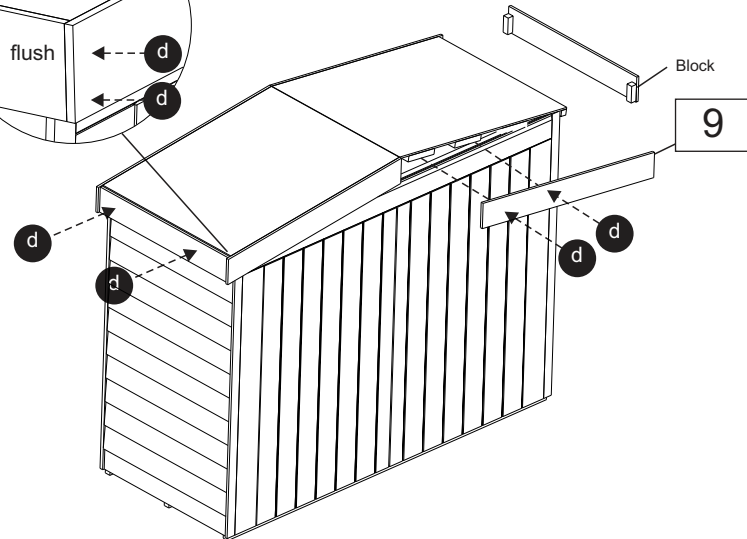
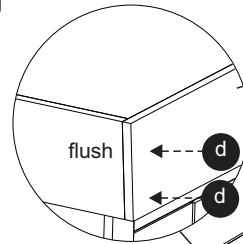


Place the felt over the roof so that there is approximately a 45mm overhang on all sides. Secure the felt to the roof, nailing into the battens from the sides using felt tacks placed in 150mm intervals.

Cut and fold the felt at the corners as shown.

Take care when trimming the roof felt.

PRE-DRILL

**H**

Place the front and back barge boards against the roof so that they are in line with the top of the roof and meet at the apex. Fix each in place using 2 x 25mm screws positioned as shown.

Position and fix the side barge boards against the ends of the roof using 2 x 25mm screws.

Further secure the barge board at the corner screwing into each of the blocks at the ends using 2 x 25mm screws for each.

PRE-DRILL